

US00D692833S

(12) **United States Design Patent**  
**Nishimura et al.**

(10) **Patent No.:** **US D692,833 S**  
(45) **Date of Patent:** **\*\* Nov. 5, 2013**

(54) **ELECTRICAL CONNECTOR**

FOREIGN PATENT DOCUMENTS

(75) Inventors: **Takayuki Nishimura**, Tokyo (JP);  
**Hiroaki Obikane**, Tokyo (JP); **Yuzo Sato**, Tokyo (JP)

JP 1423952 S 9/2011

(73) Assignee: **Japan Aviation Electronics Industry, Limited**, Tokyo (JP)

OTHER PUBLICATIONS

Japanese Office Action dated Jun. 29, 2012, issued in corresponding Japanese Design Application No. 2011-021625 (2 pages).

(\*\*) Term: **14 Years**

\* cited by examiner

(21) Appl. No.: **29/415,244**

*Primary Examiner* — Daniel Bui

(22) Filed: **Mar. 8, 2012**

(74) *Attorney, Agent, or Firm* — Westerman, Hattori, Daniels & Adrian, LLP

(30) **Foreign Application Priority Data**

Sep. 22, 2011 (JP) ..... 2011-021625

(51) **LOC (9) Cl.** ..... **13-03**

(52) **U.S. Cl.**  
USPC ..... **D13/147**

(58) **Field of Classification Search**  
USPC ..... D13/120, 133, 147, 154, 184, 199;  
439/78-79, 83, 108, 181, 607.01,  
439/607.04, 607.05, 607.17, 607.25,  
439/607.34, 74, 607.41, 607.53, 630, 660  
See application file for complete search history.

(57) **CLAIM**

The ornamental design for an electrical connector, as shown and described.

(56) **References Cited**

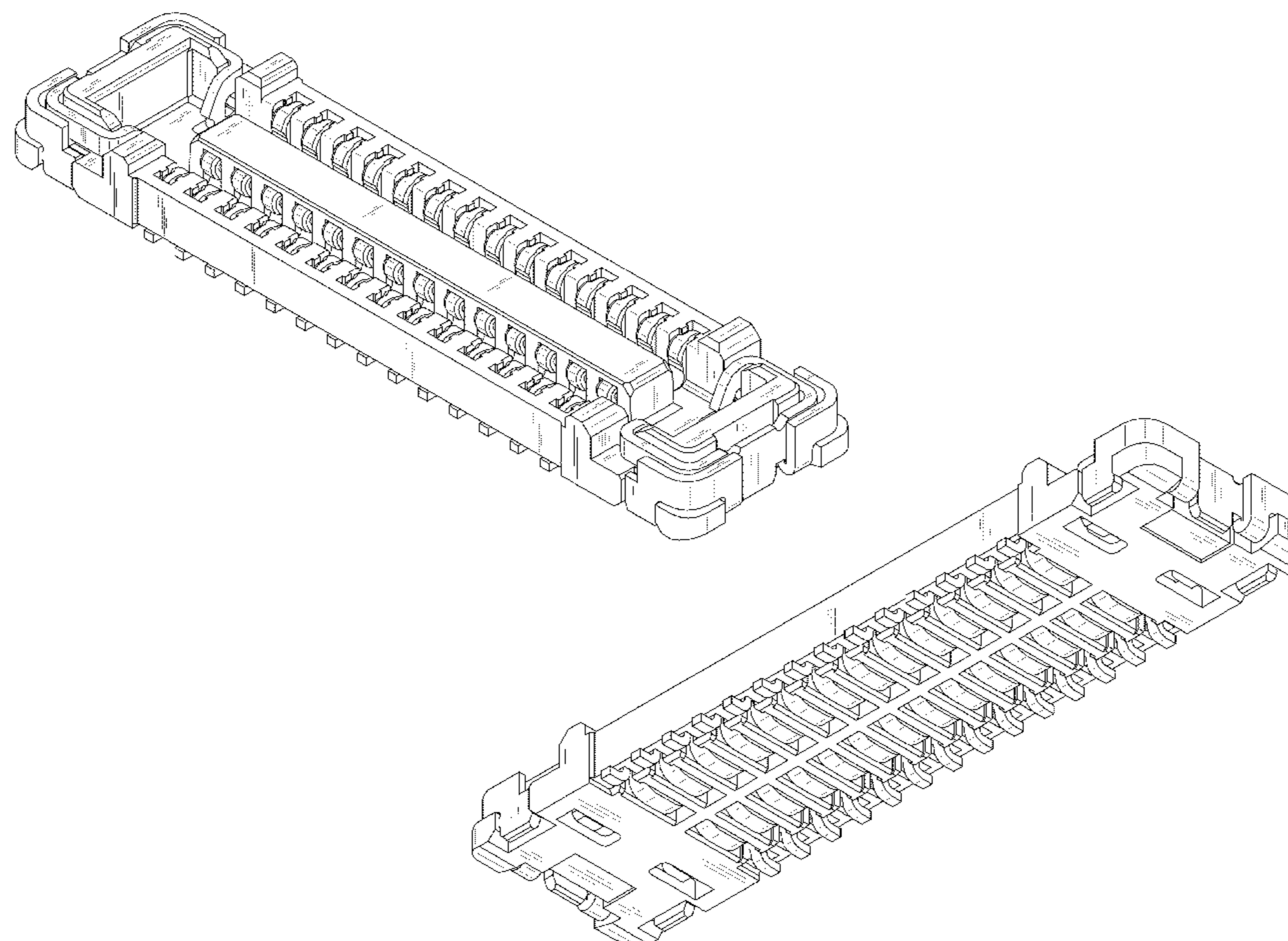
U.S. PATENT DOCUMENTS

D528,987 S *	9/2006	Peng	.....	D13/147
D539,225 S *	3/2007	Kishi et al.	.....	D13/147
D562,770 S *	2/2008	Obikane	.....	D13/147
D588,542 S *	3/2009	Lee et al.	.....	D13/147
D590,345 S *	4/2009	Chen et al.	.....	D13/147
D603,798 S *	11/2009	Obikane et al.	.....	D13/147
D603,801 S *	11/2009	Obikane et al.	.....	D13/147
D642,535 S *	8/2011	Sato et al.	.....	D13/147
D642,986 S *	8/2011	Nishimura et al.	.....	D13/147

**DESCRIPTION**

FIG. 1 is a front elevational view of an electrical connector, showing our new design, the rear elevational view being identical thereto;  
FIG. 2 is a right side elevational view thereof, the left side elevational view being identical thereto;  
FIG. 3 is a top plan view thereof;  
FIG. 4 is a bottom plan view thereof;  
FIG. 5 is a cross-sectional view, taken along line 5-5 of FIG. 1;  
FIG. 6 is a right front perspective view showing the top thereof; and,  
FIG. 7 is a right front perspective view showing the bottom thereof.  
The broken lines illustrate environmental structure and form no part of the claimed design.

**1 Claim, 7 Drawing Sheets**



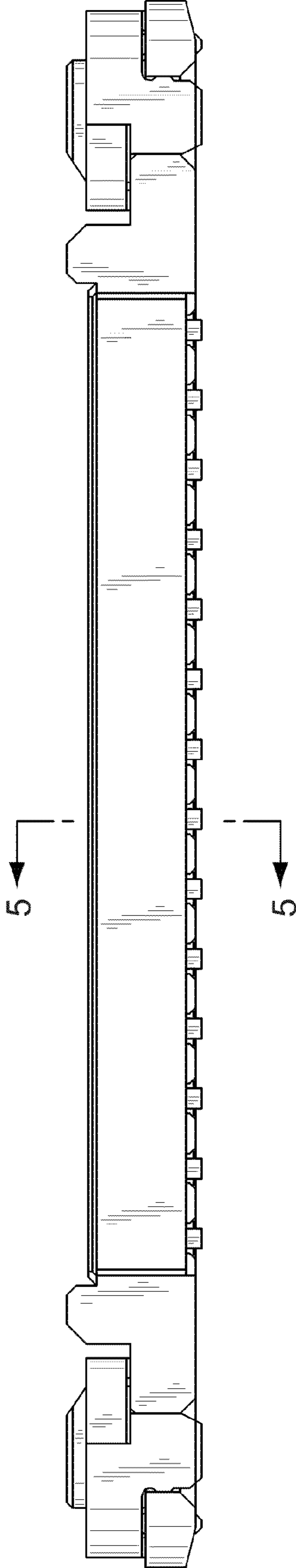


FIG.1

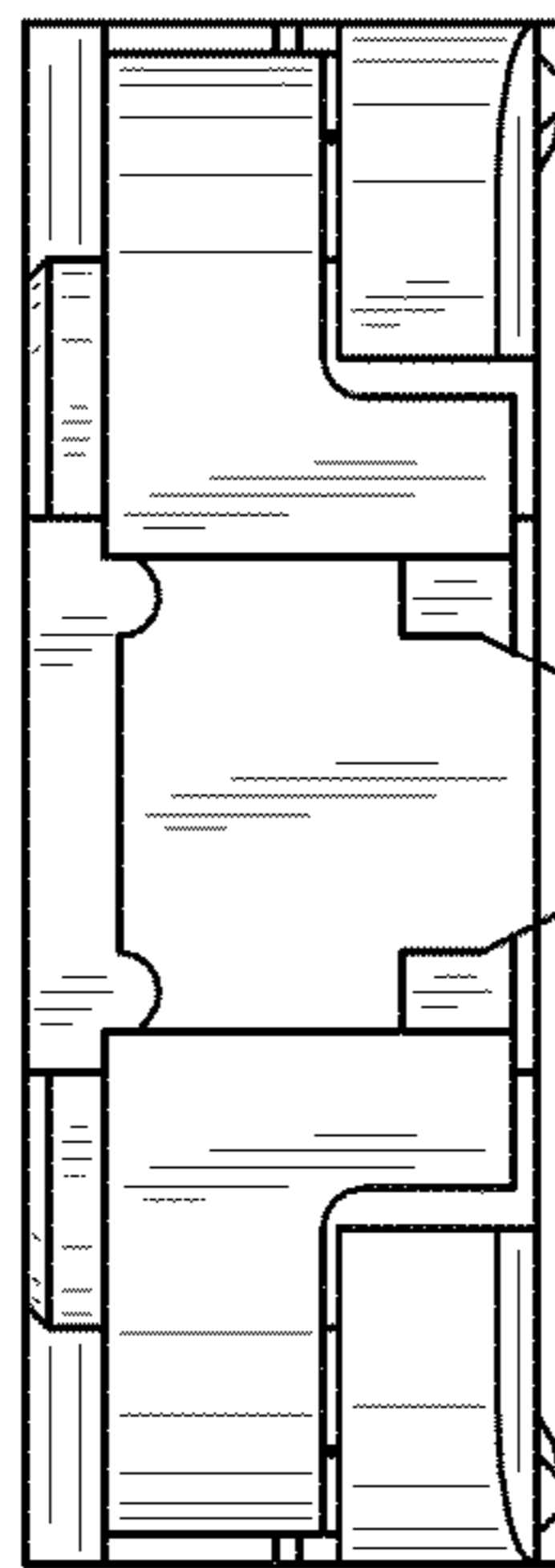


FIG. 2

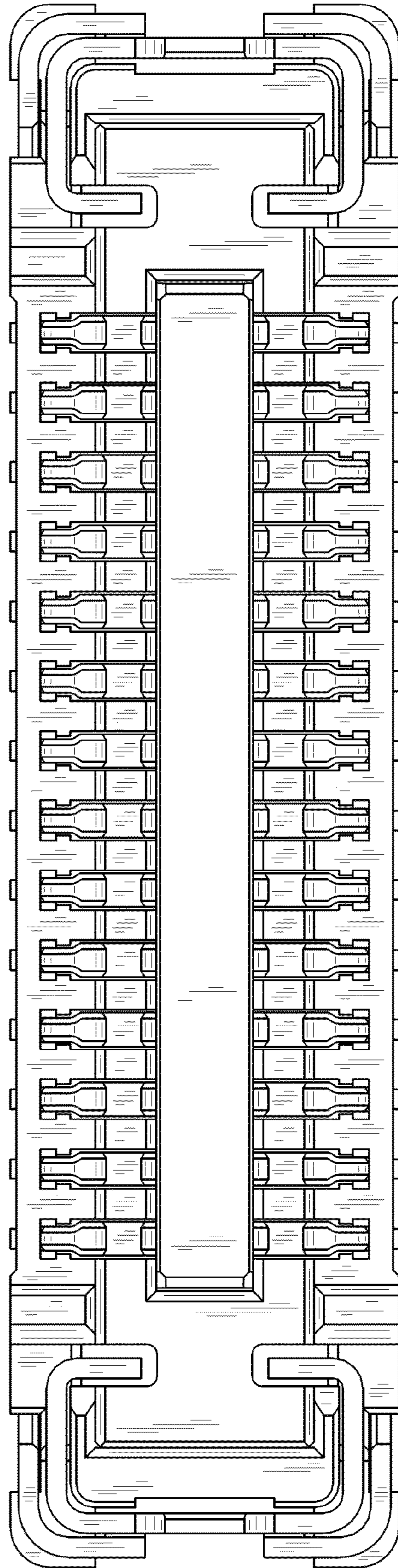


FIG.3

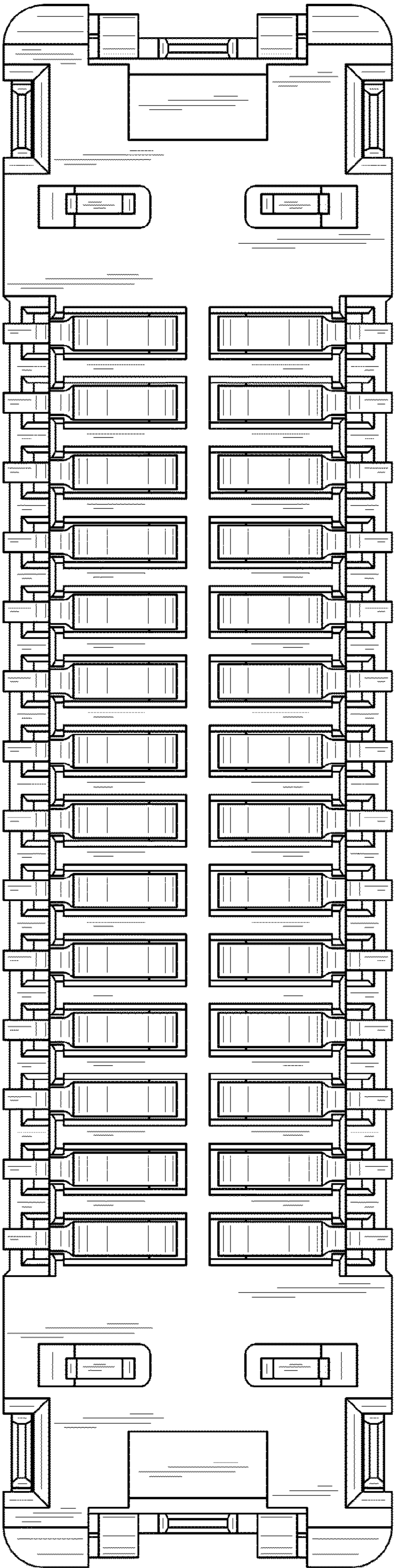


FIG.4

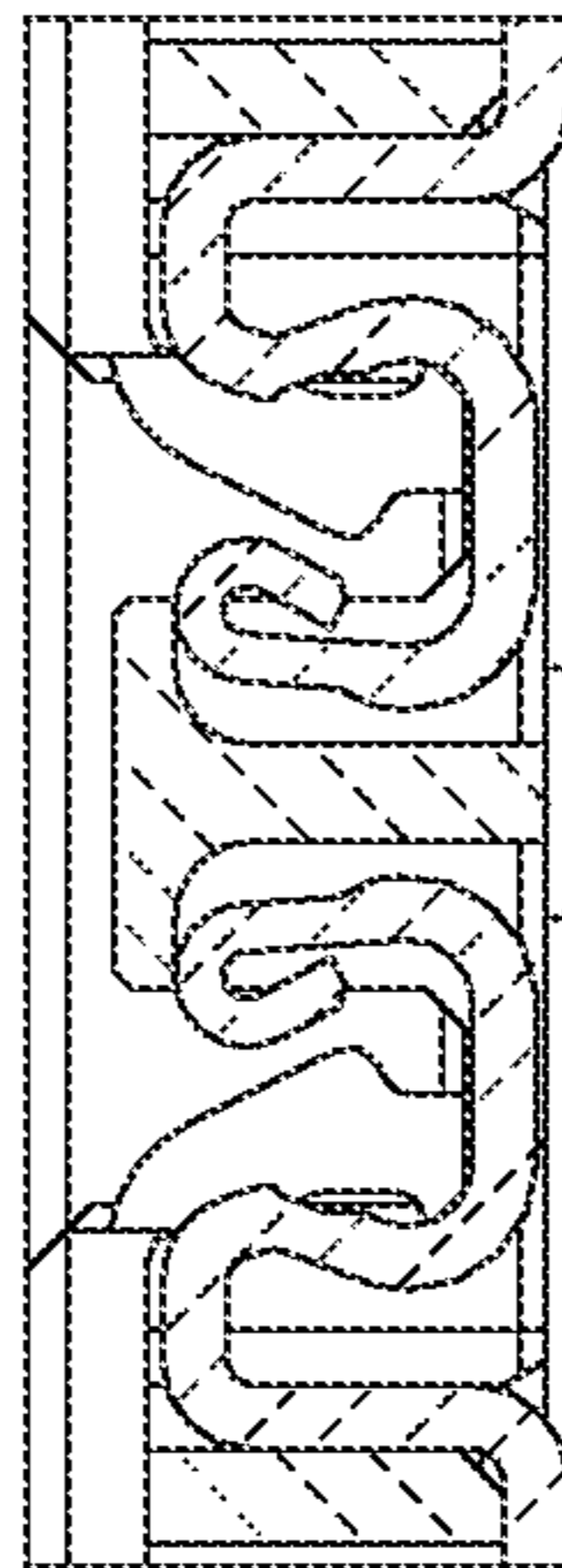


FIG. 5

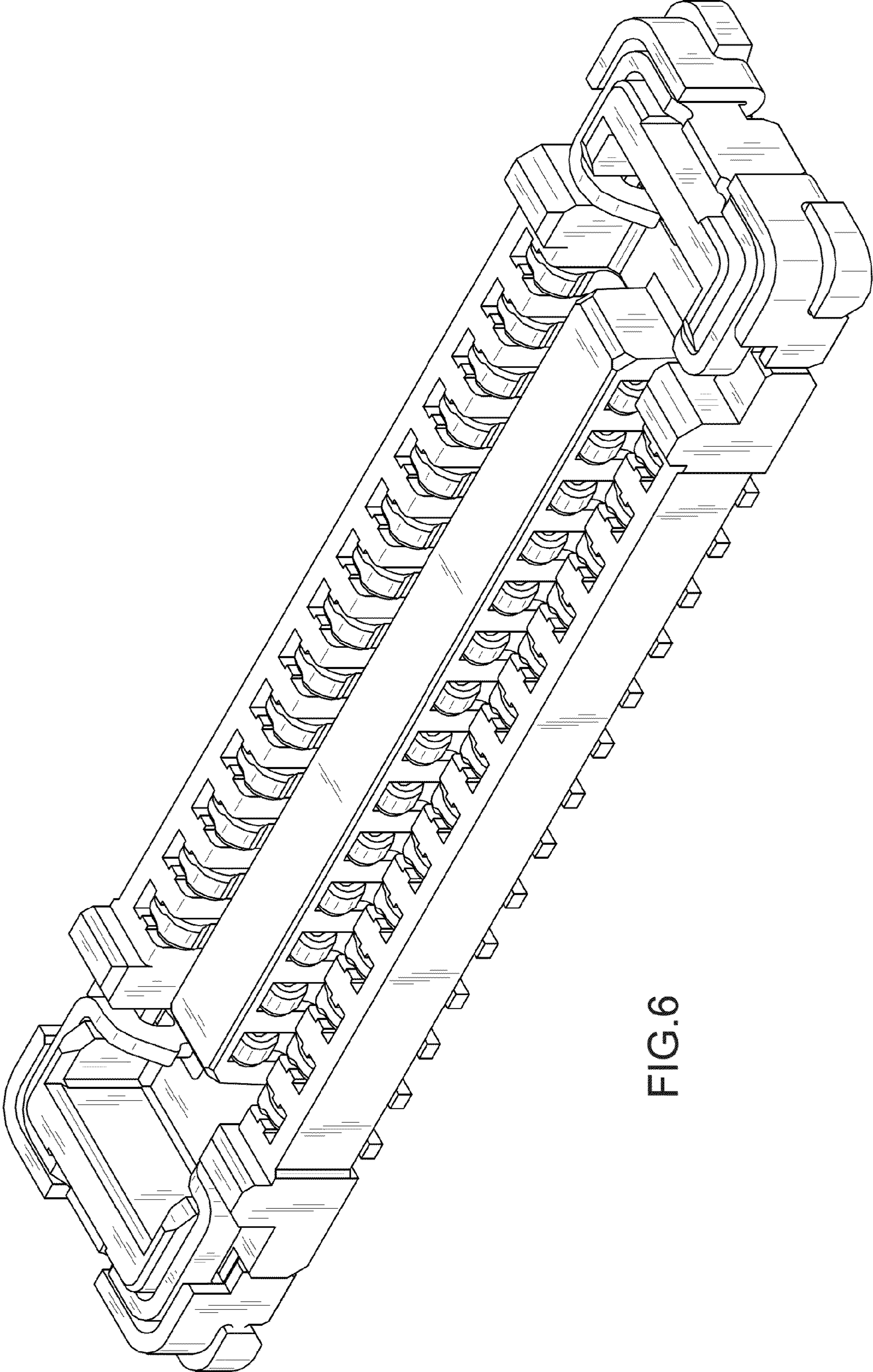


FIG.6

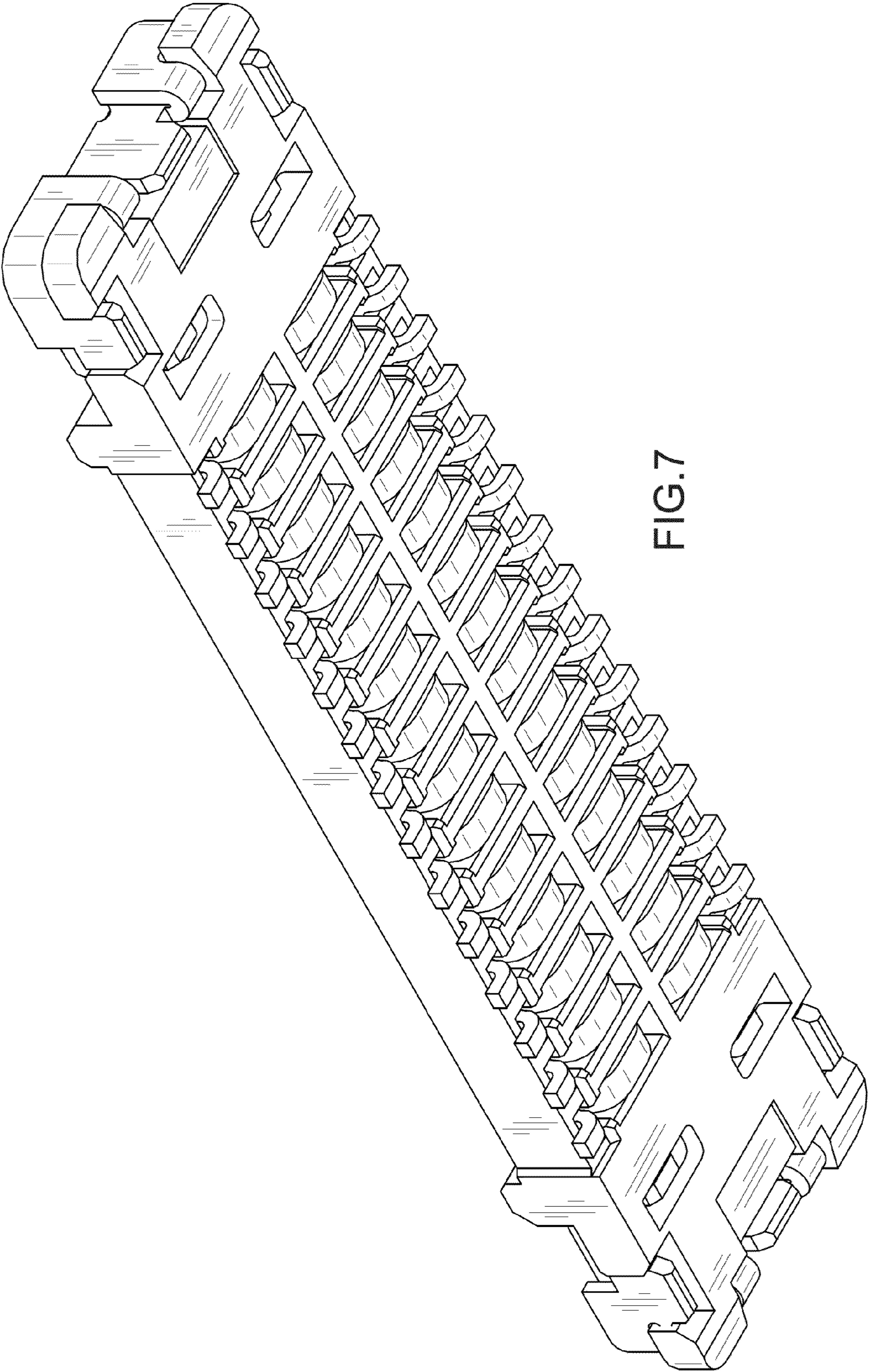


FIG.7