



US00D692831S

(12) **United States Design Patent**
Beldock et al.

(10) **Patent No.:** **US D692,831 S**

(45) **Date of Patent:** **** Nov. 5, 2013**

(54) **POWER EXTENSION DEVICE**

(71) Applicant: **BelPower Systems, LLC**, New York, NY (US)

(72) Inventors: **Donald T. Beldock**, New York, NY (US); **Gwen Beldock**, Pacific Palisades, CA (US); **William D. Chura**, Newton, MA (US); **Scott H. Wakefield**, Andover, MA (US)

(73) Assignee: **Belpower Systems, LLC**, New York, NY (US)

(**) Term: **14 Years**

(21) Appl. No.: **29/438,392**

(22) Filed: **Nov. 29, 2012**

(51) **LOC (9) Cl.** **13-03**

(52) **U.S. Cl.**
USPC **D13/139.4**

(58) **Field of Classification Search**
USPC D13/152, 137.1, 139.6, 139.5, 139.8, D13/162, 156, 171, 158, 170, 177, 138.2, D13/138.1, 139.2, 137.3, 139.1, 139.4; 174/66, 37-38; 200/5 R, 5 A, 1 B; 338/201, 202; 361/641, 622, 602, 627, 361/644, 660, 679.05, 118

See application file for complete search history.

(56) **References Cited**

U.S. PATENT DOCUMENTS

D52,628 S *	11/1918	Bissell	D13/134
D126,590 S *	4/1941	Lewin	D13/139.4
D235,555 S *	6/1975	Plummer	D13/152
D244,465 S *	5/1977	Stoneman	D13/139.4
D426,520 S *	6/2000	Goins	D13/139.2
D534,869 S *	1/2007	Stekelenburg	D13/139.1
D671,545 S *	11/2012	Guran	D14/447
2012/0081842 A1 *	4/2012	Ewing et al.	361/622

* cited by examiner

Primary Examiner — Robert M Spear

Assistant Examiner — Rhea Shields

(74) *Attorney, Agent, or Firm* — Gordon & Jacobson, PC

(57) **CLAIM**

The ornamental design for a power extension device, as shown and described.

DESCRIPTION

FIG. 1 is a perspective view of a first embodiment of an ornamental design of a power extension device.

FIG. 2 is a rear view of the first embodiment of an ornamental design of a power extension device.

FIG. 3 is a front view of the first embodiment of an ornamental design of a power extension device.

FIG. 4 is a left side view of the first embodiment of an ornamental design of a power extension device.

FIG. 5 is a right side view of the first embodiment of an ornamental design of a power extension device.

FIG. 6 is a top view of the first embodiment of an ornamental design of a power extension device.

FIG. 7 is a bottom view of the first embodiment of an ornamental design of a power extension device.

FIG. 8 is a perspective view of a second embodiment of an ornamental design of a power extension device.

FIG. 9 is a rear view of the second embodiment of an ornamental design of a power extension device.

FIG. 10 is a front view of the second embodiment of an ornamental design of a power extension device.

FIG. 11 is a left side view of the second embodiment of an ornamental design of a power extension device.

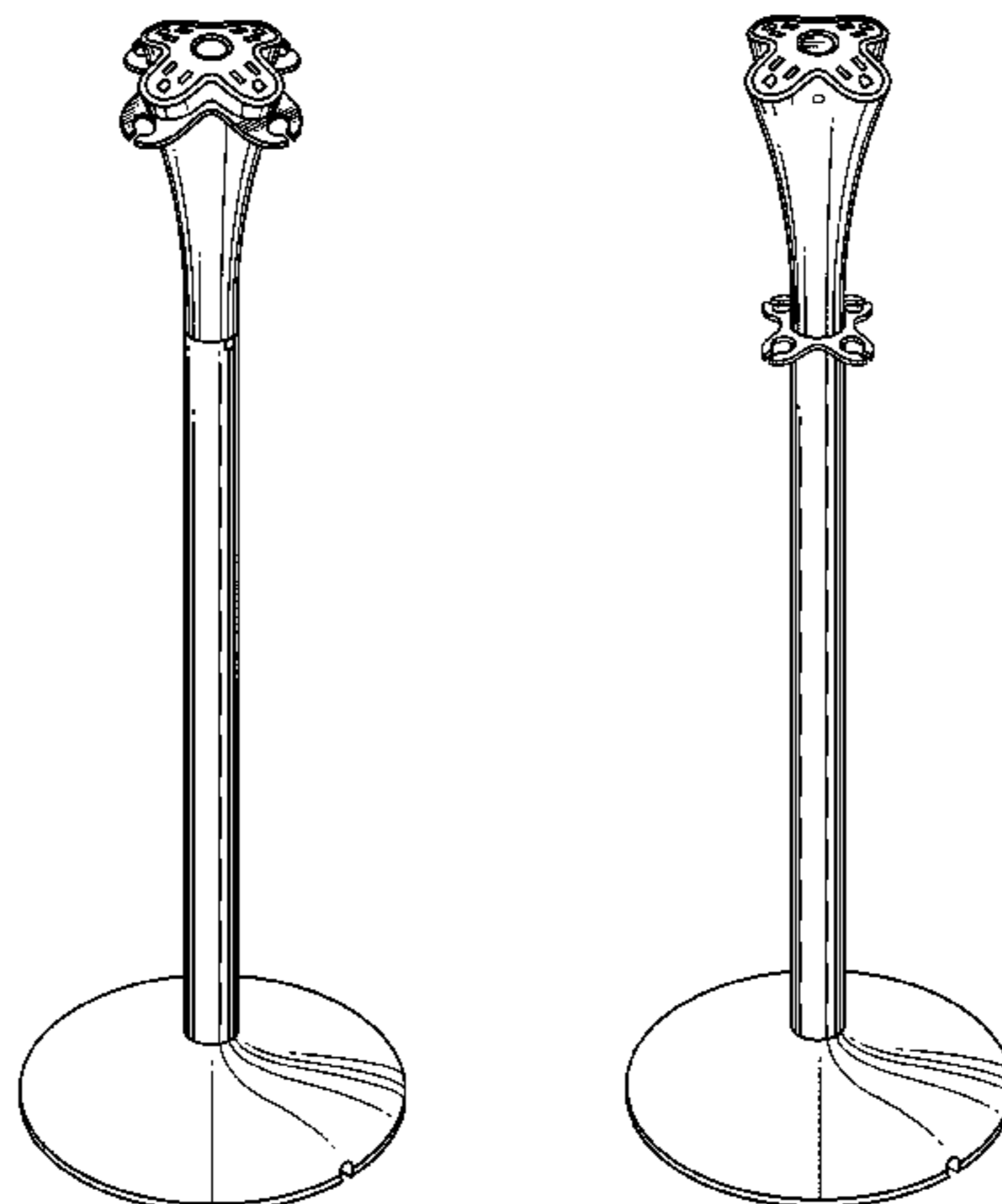
FIG. 12 is a right side view of the second embodiment of an ornamental design of a power extension device.

FIG. 13 is a top view of the second embodiment of an ornamental design of a power extension device; and,

FIG. 14 is a bottom view of the second embodiment of an ornamental design of a power extension device.

The broken lines in the drawings depict boundaries of the claim and form no part thereof.

1 Claim, 4 Drawing Sheets



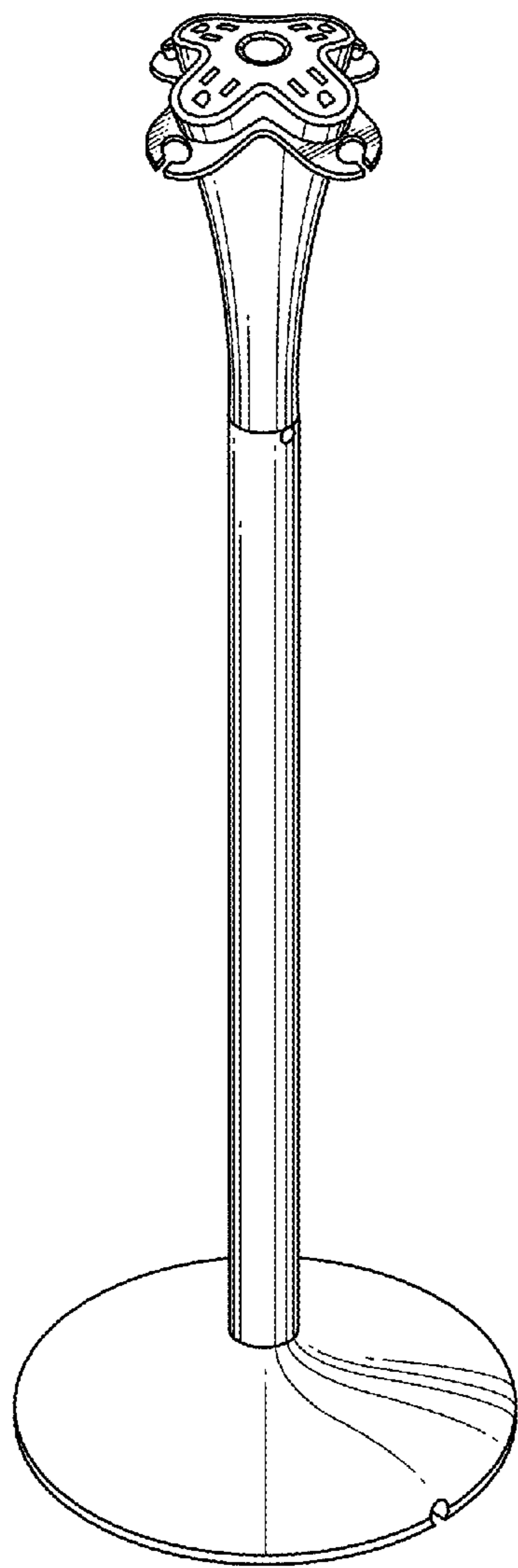


Fig. 1

Fig. 2

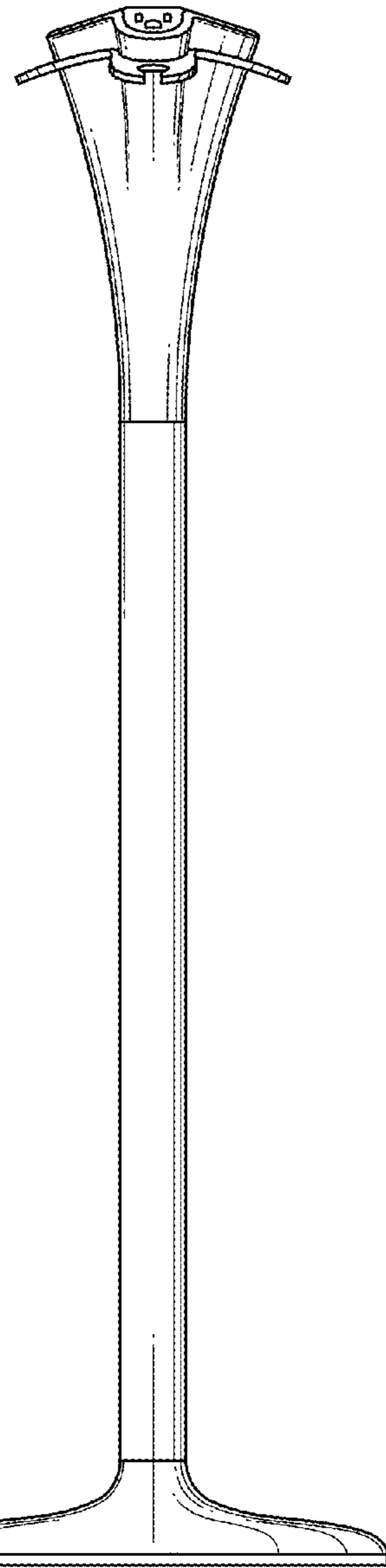
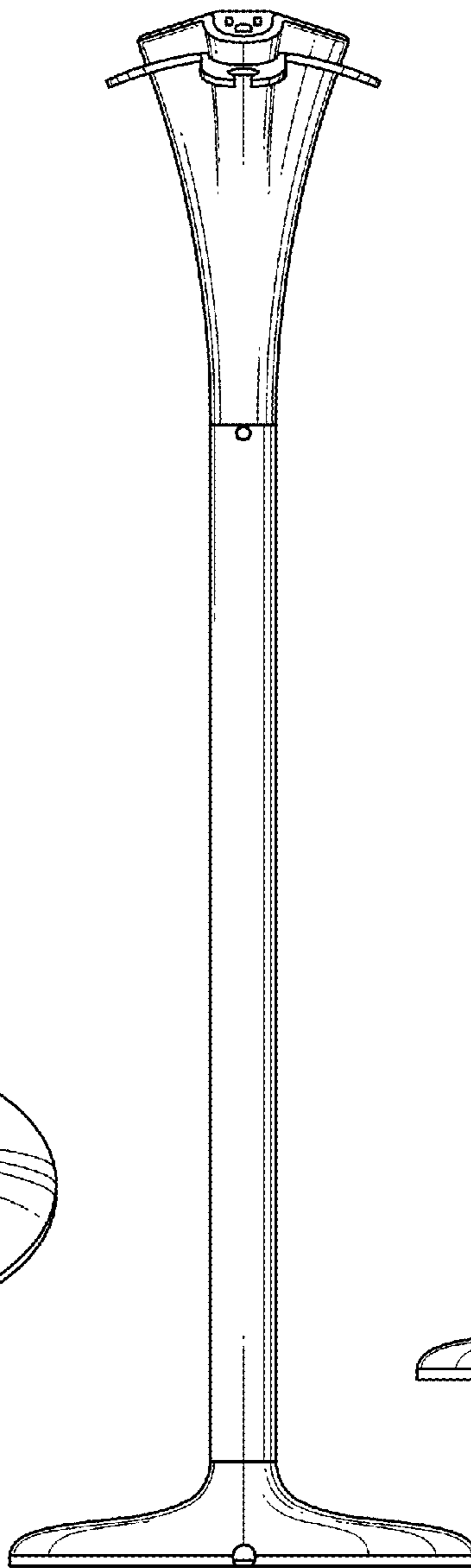


Fig. 3

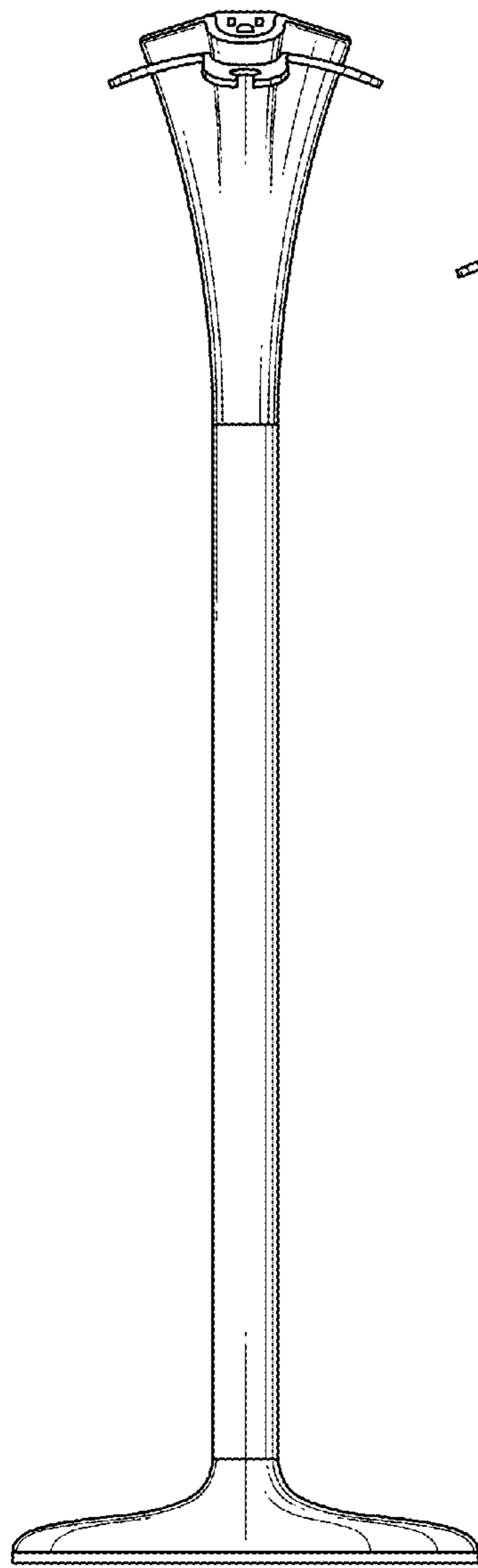


Fig. 4

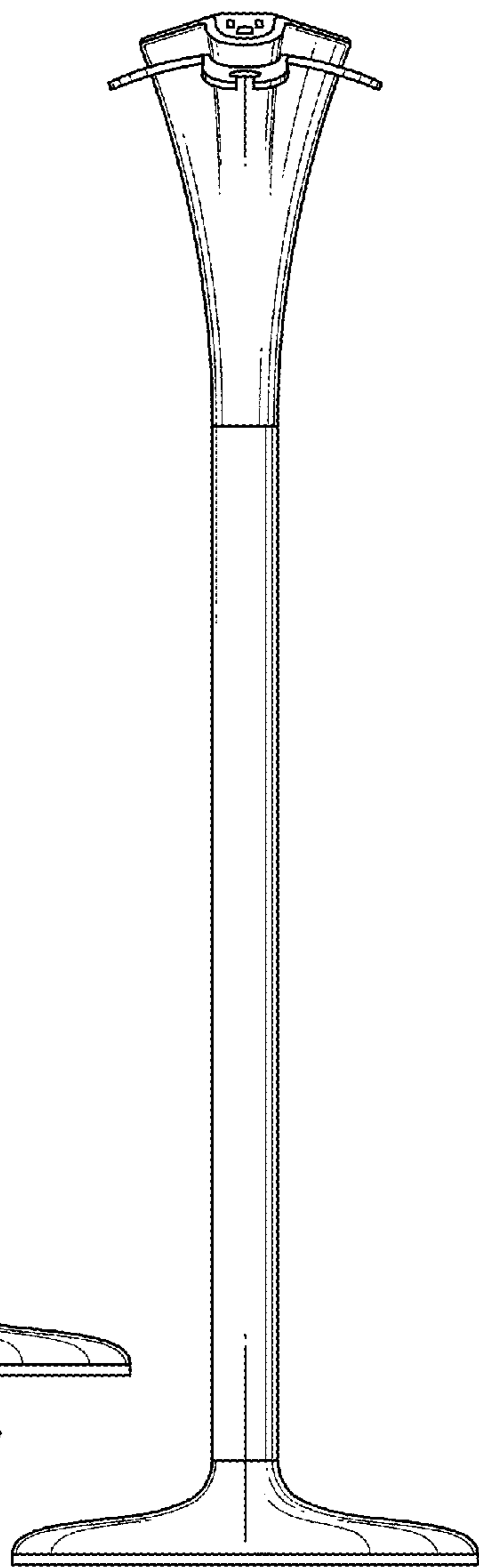


Fig. 5

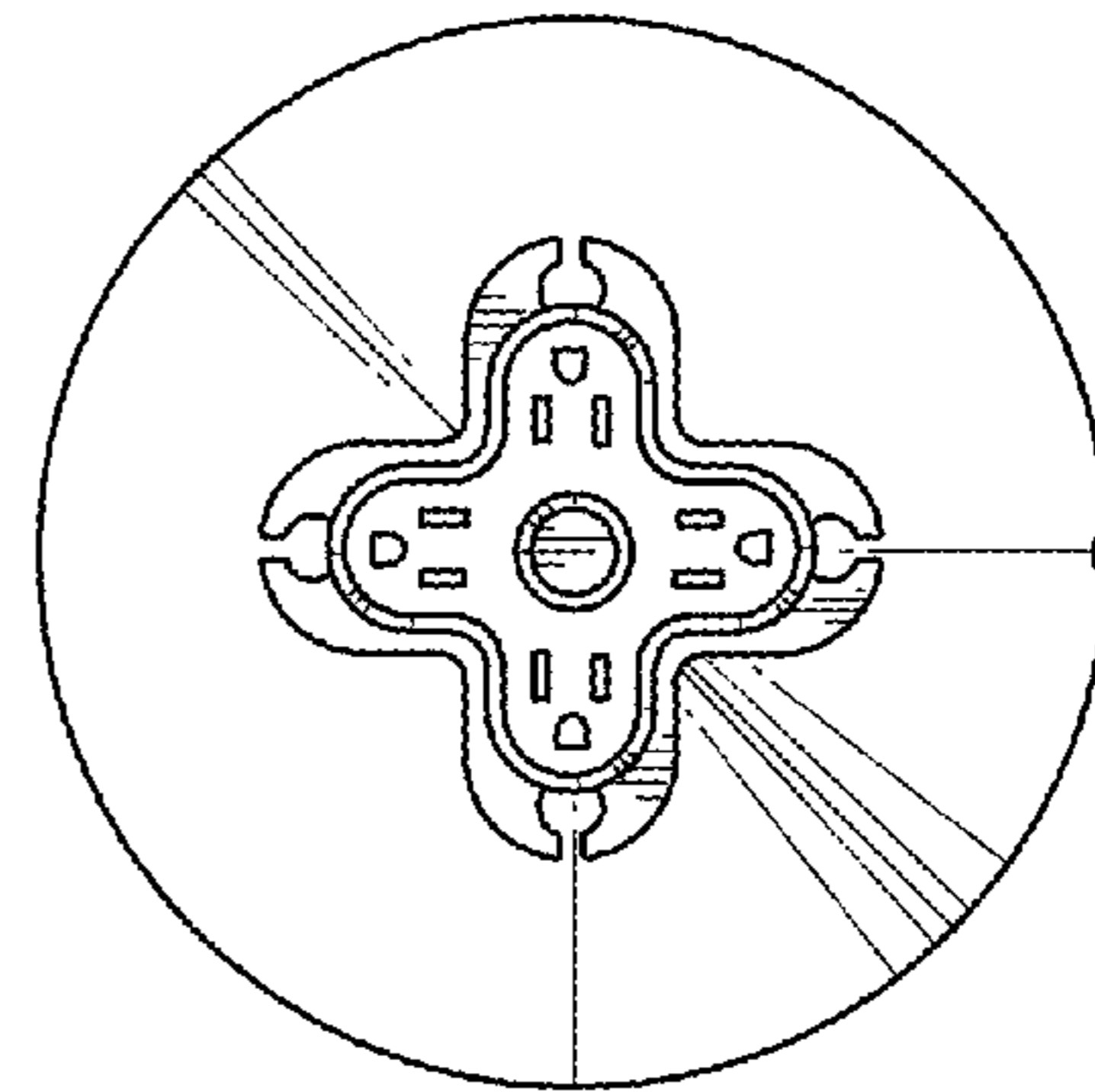


Fig. 6

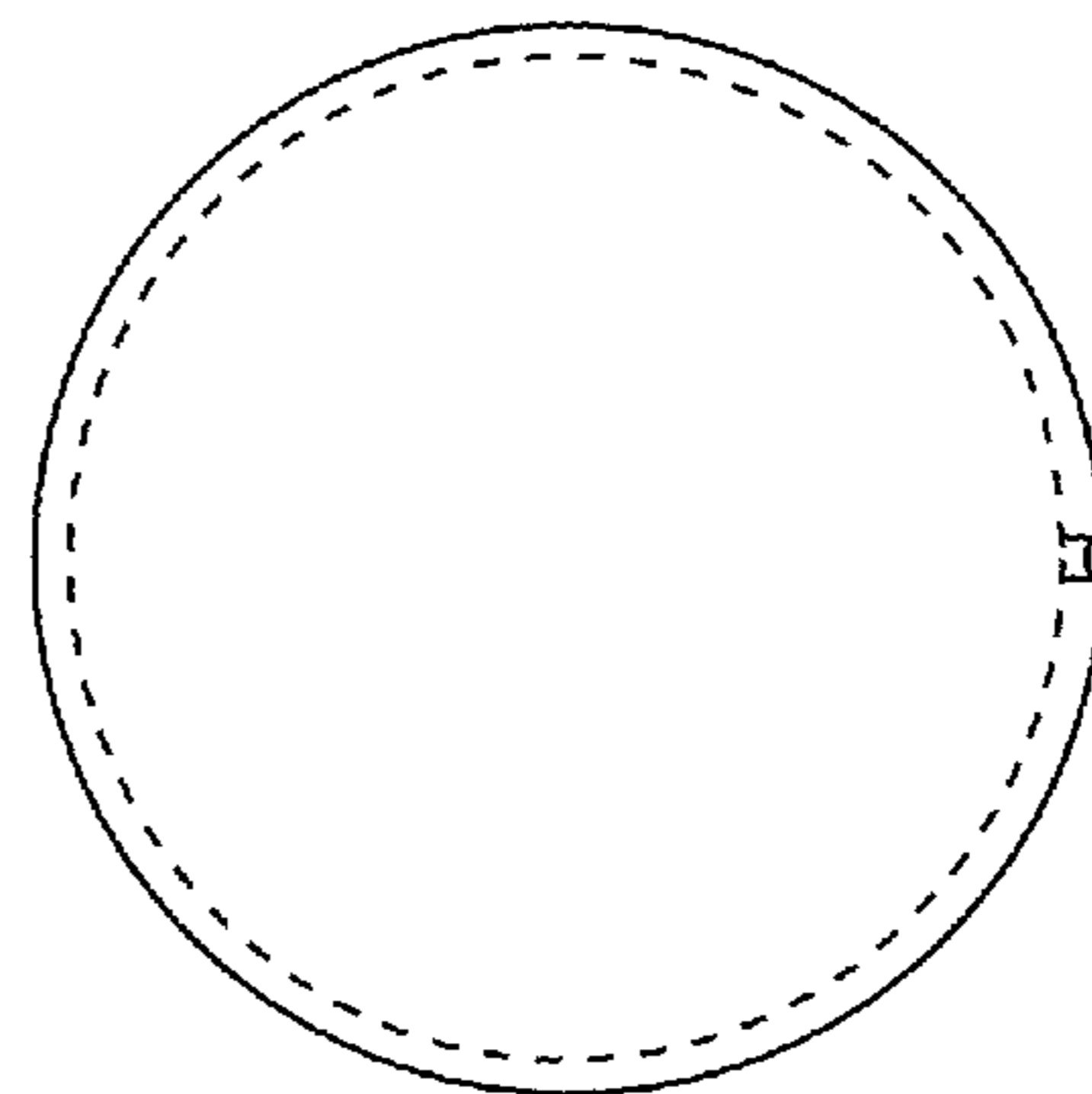
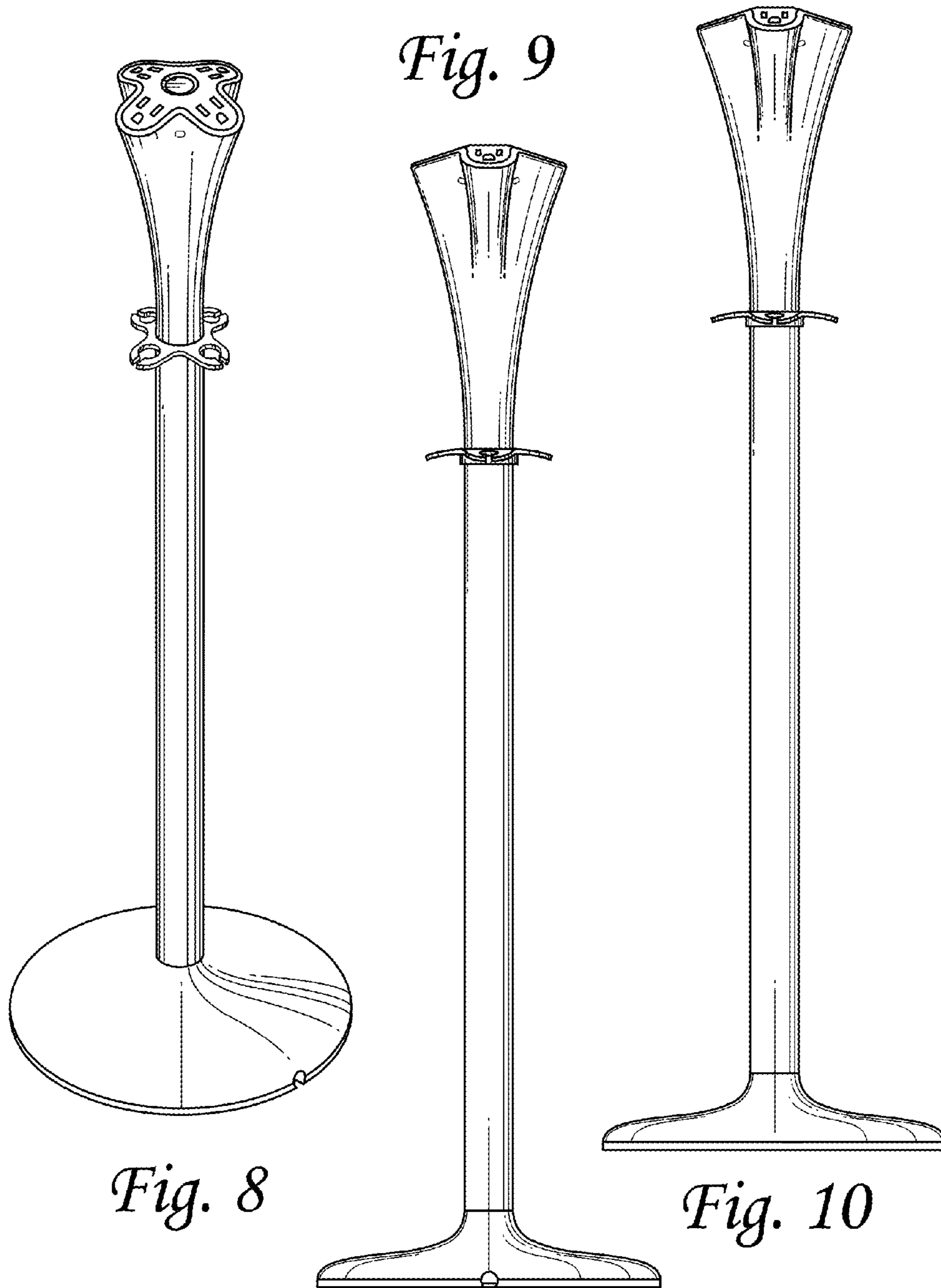


Fig. 7



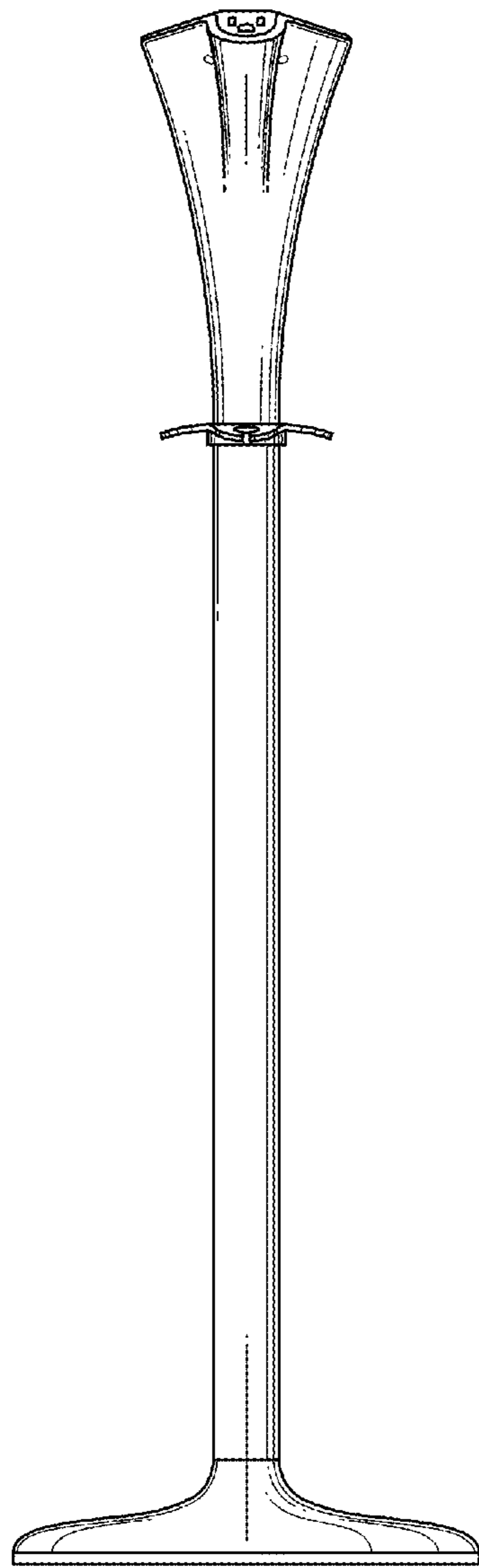


Fig. 11

Fig. 12

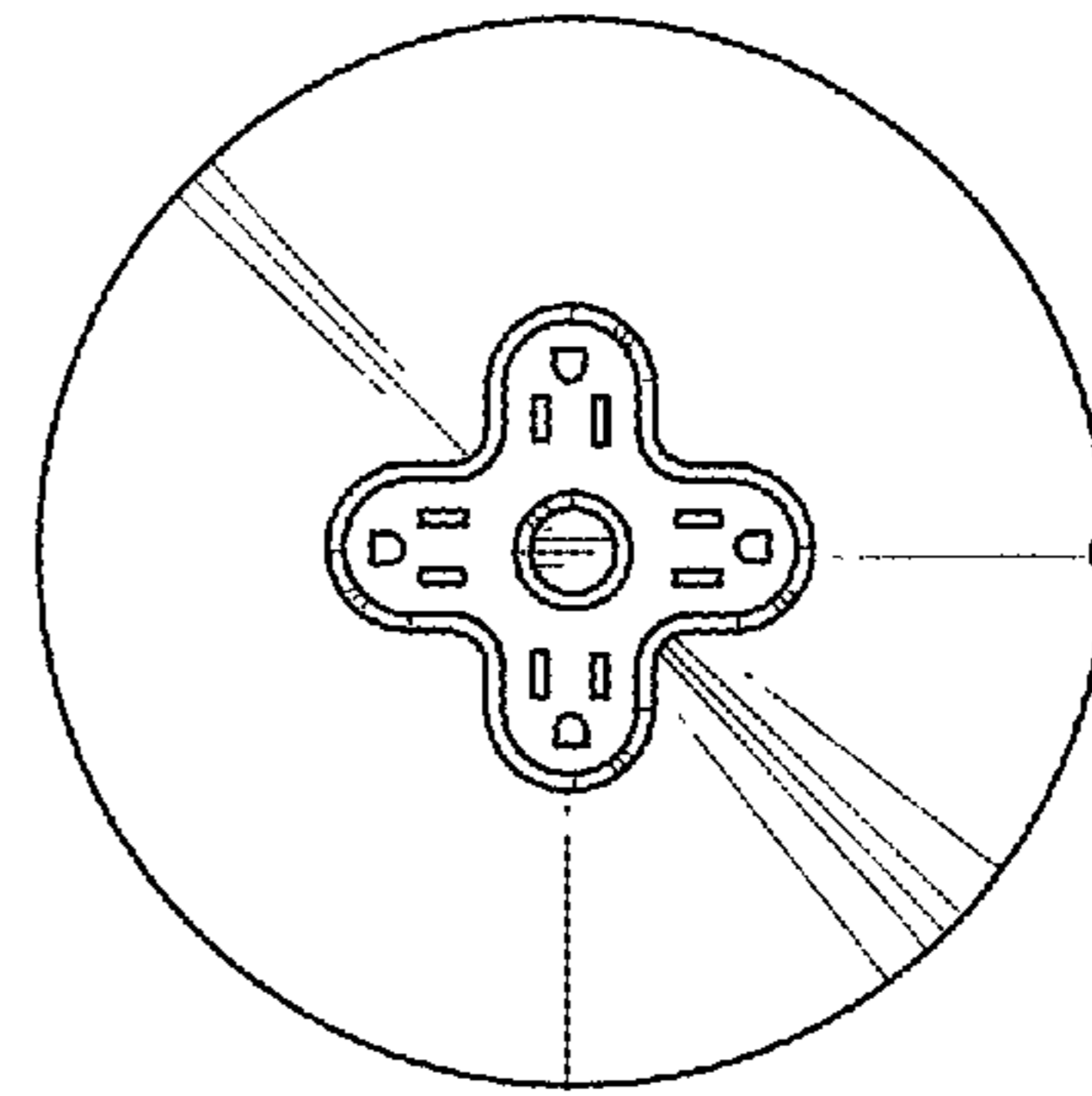
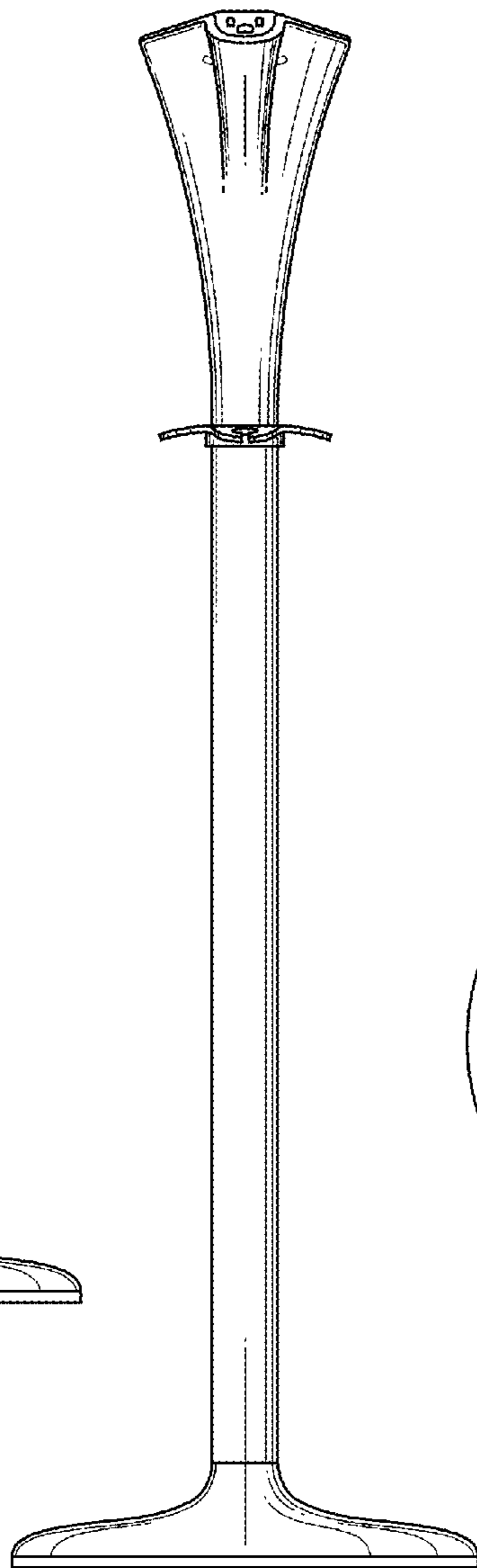


Fig. 13

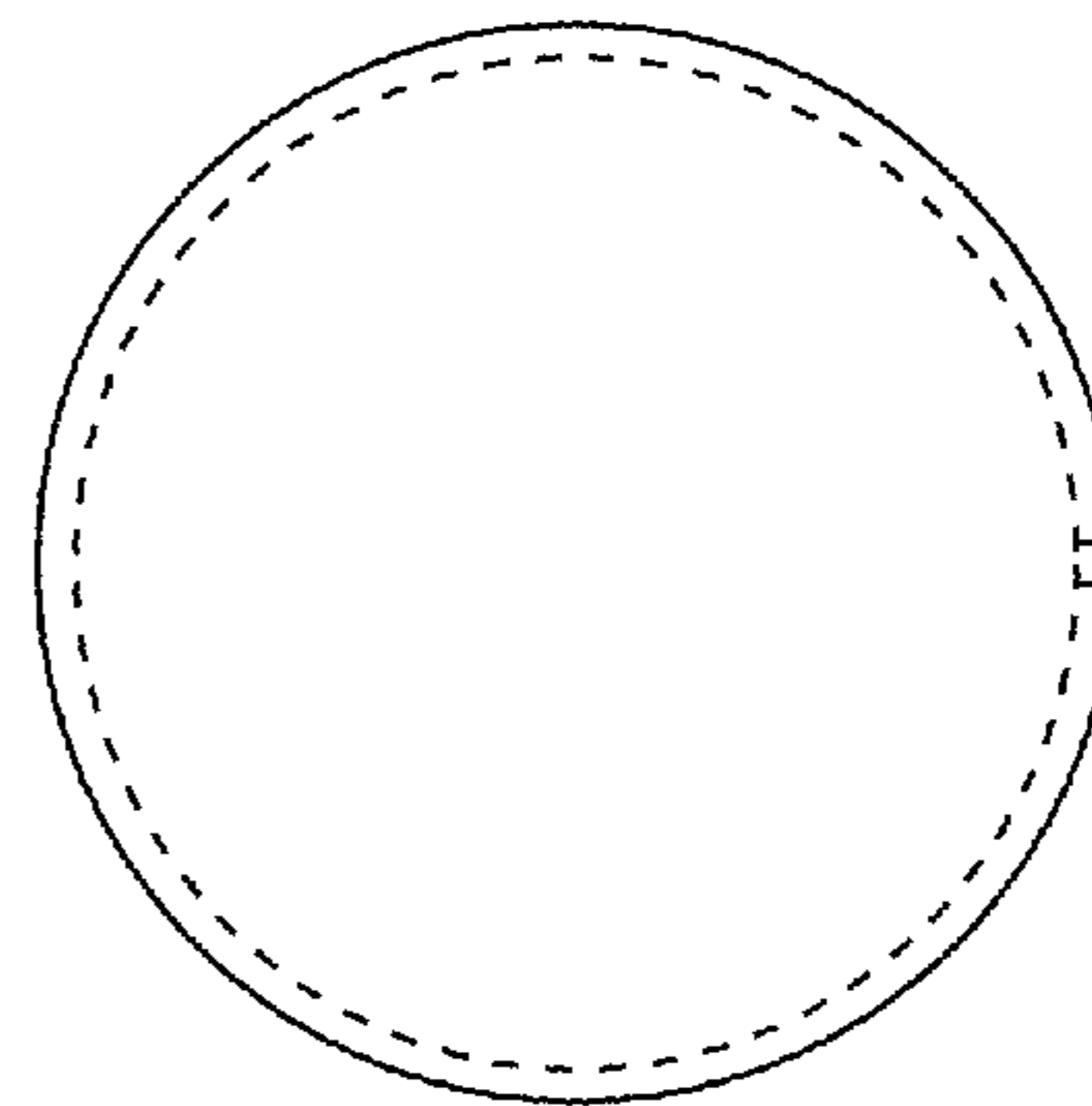


Fig. 14