



US00D692829S

(12) **United States Design Patent**  
**Dobler**

(10) **Patent No.:** **US D692,829 S**  
(45) **Date of Patent:** **\*\* Nov. 5, 2013**

(54) **CONNECTOR**

- (71) Applicant: **Neutrik AG**, Schaan (LI)
- (72) Inventor: **Oliver Dobler**, Tschagguns (AT)
- (73) Assignee: **Neutrik AG**, Schaan (LI)
- (\*\*) Term: **14 Years**
- (21) Appl. No.: **29/433,683**
- (22) Filed: **Oct. 3, 2012**

**Related U.S. Application Data**

- (62) Division of application No. 29/385,270, filed on Feb. 11, 2011.

**Foreign Application Priority Data**

- Aug. 16, 2010 (EP) ..... 001 229 827-0003
- Aug. 16, 2010 (EP) ..... 001 229 827-0004
- Aug. 16, 2010 (EP) ..... 001 229 827-0009
- Aug. 16, 2010 (EP) ..... 001 229 827-0010

(51) **LOC (9) Cl.** ..... **13-03**

(52) **U.S. Cl.**  
USPC ..... **D13/133**

(58) **Field of Classification Search**

USPC ..... D13/133, 146, 147, 154, 184, 199;  
439/180, 246, 252, 259, 278, 296, 350,  
439/352, 353, 354, 357, 358, 374, 378, 379,  
439/380, 381, 527, 529, 530, 533, 598, 680,  
439/892, 894

See application file for complete search history.

(56) **References Cited**

U.S. PATENT DOCUMENTS

D399,188 S	10/1998	Lin
D399,189 S	10/1998	Lin
D413,100 S	8/1999	Nakazawa
D415,469 S	10/1999	Lee
D437,294 S	2/2001	Amin
D501,826 S	2/2005	Bachmann
D512,023 S	11/2005	Bachmann
D512,378 S	12/2005	Dobler
D512,965 S	12/2005	Dobler
D524,738 S	7/2006	Dobler
D587,202 S	2/2009	Dobler

OTHER PUBLICATIONS

Neutrik Product Guide 2008: pp. 9, 10, 11, 12, 13, 58, 97, 99, back cover.  
Photo of Connector and Plug: Art Date unknown.

*Primary Examiner* — Daniel Bui

(74) *Attorney, Agent, or Firm* — Harris Beach PLLC; Neal L. Slifkin

(57) **CLAIM**

The ornamental design for a connector, as shown and described.

**DESCRIPTION**

FIG. 1 is a rear elevation view of a connector showing my design;

FIG. 2 is a left side elevation view thereof;

FIG. 3 is front elevation view thereof;

FIG. 4 is a top plan view thereof;

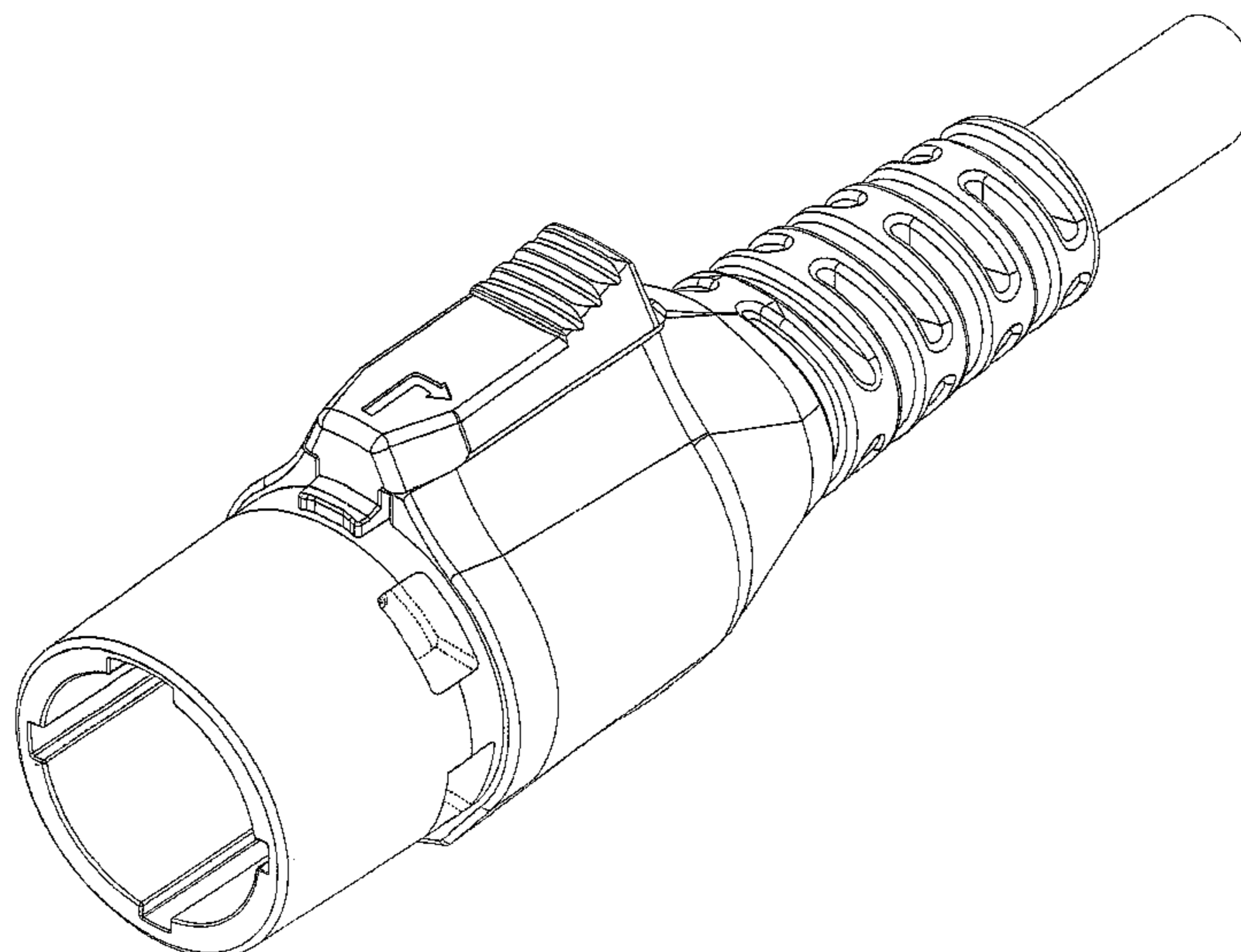
FIG. 5 is a right side elevation view thereof;

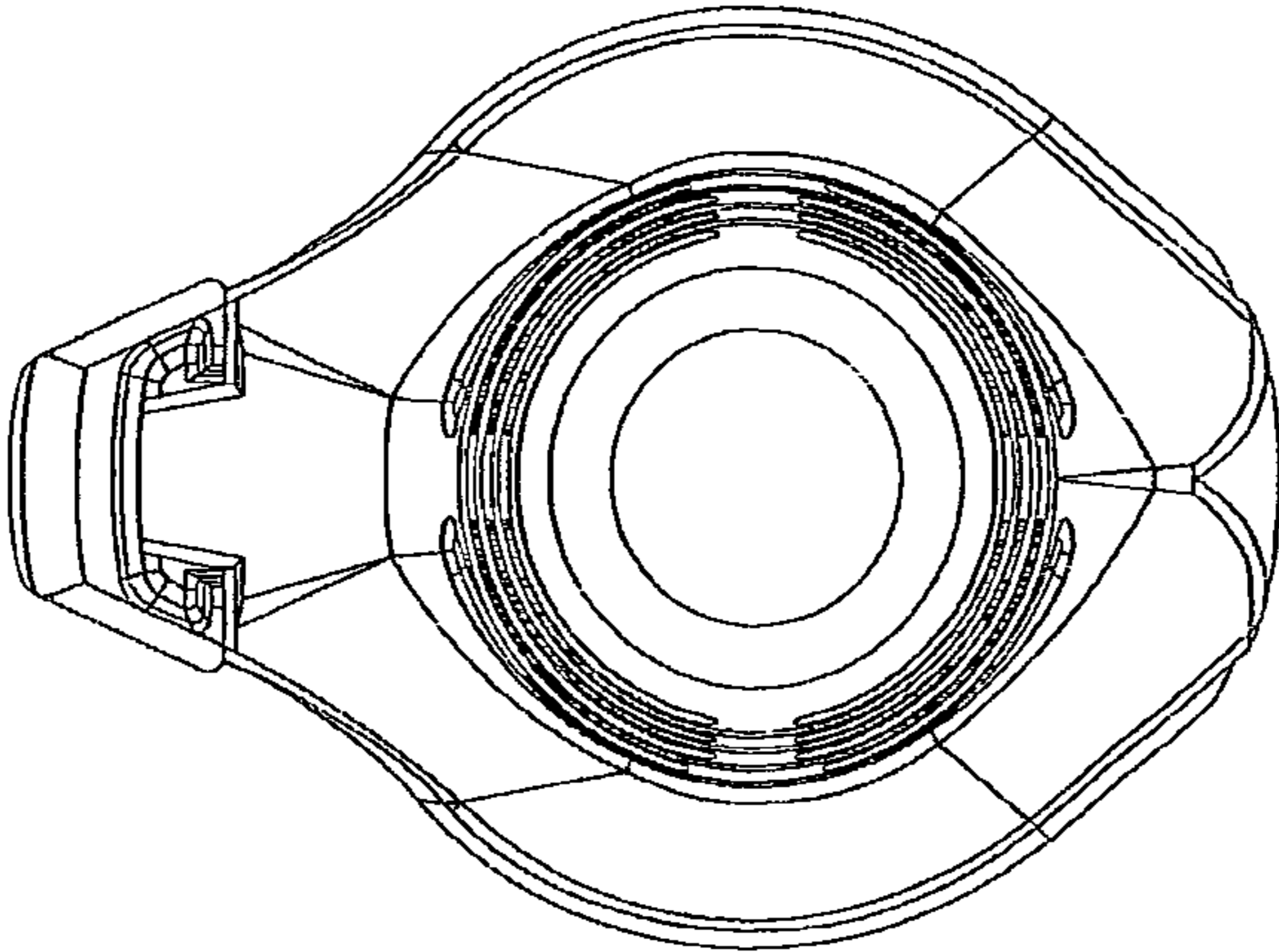
FIG. 6 is a bottom plan view thereof; and,

FIG. 7 is a perspective view thereof.

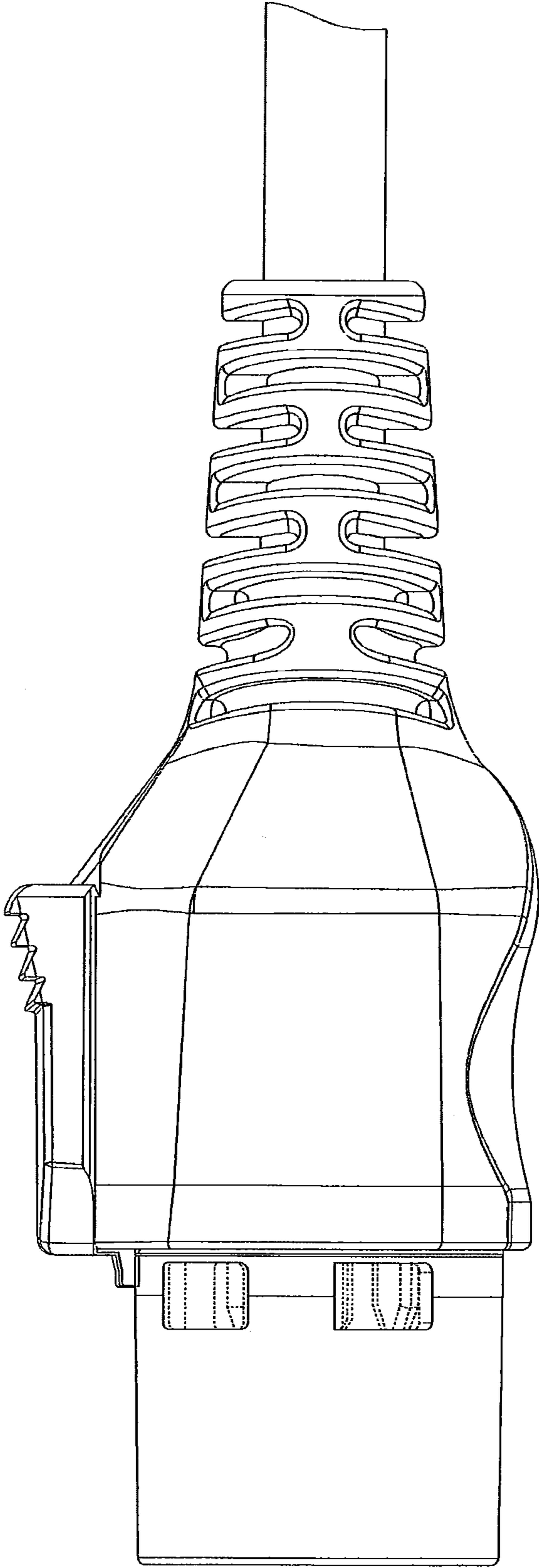
The broken line in the drawing views is included to show unclaimed environment only and forms no part of the claimed design.

**1 Claim, 7 Drawing Sheets**

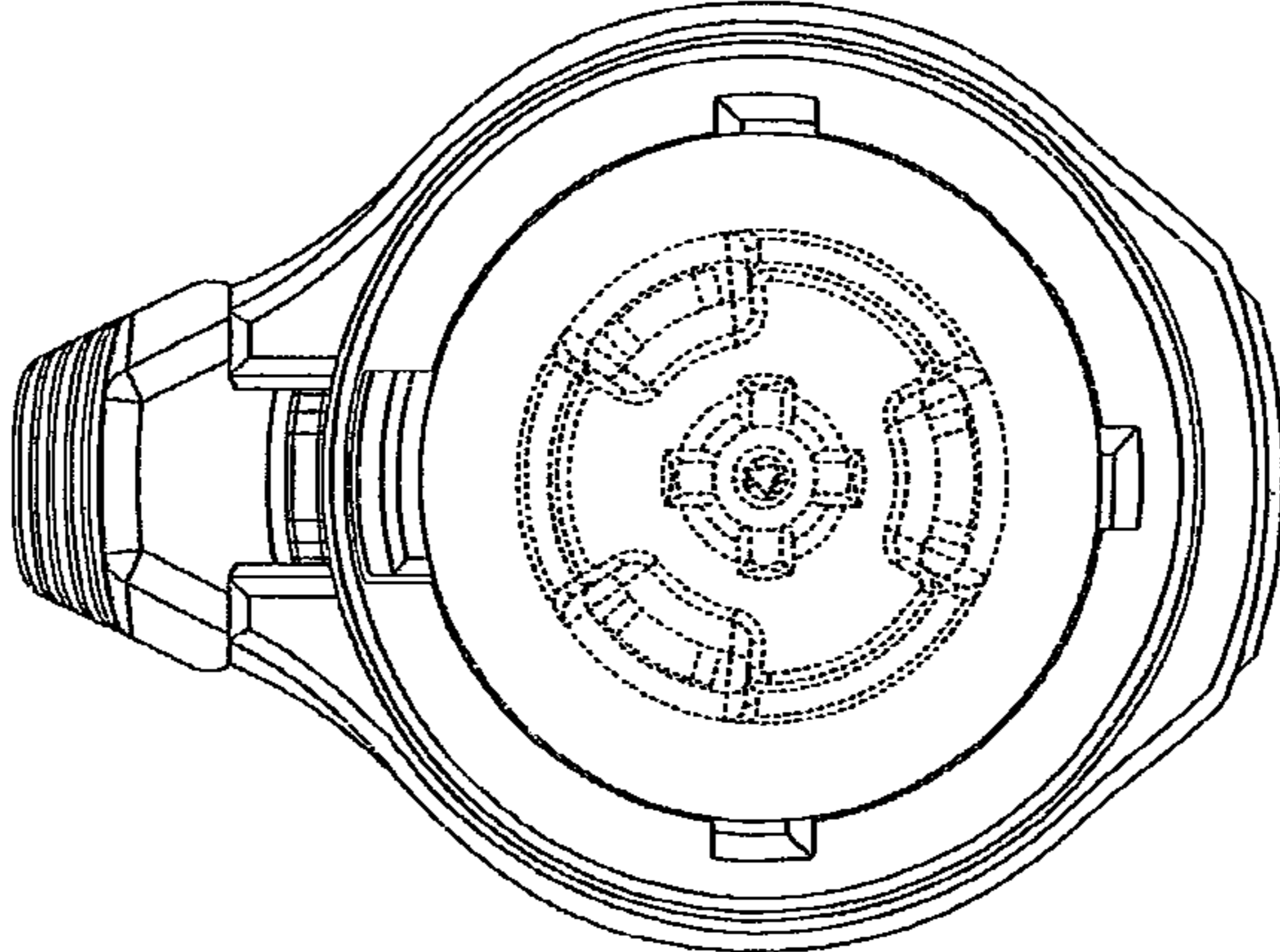




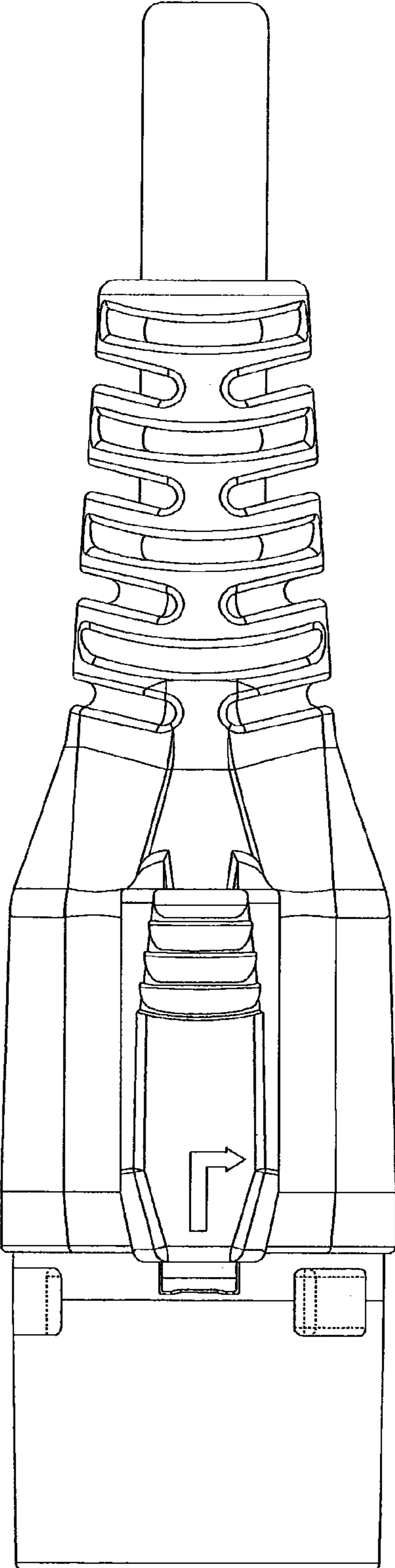
**FIG. 1**



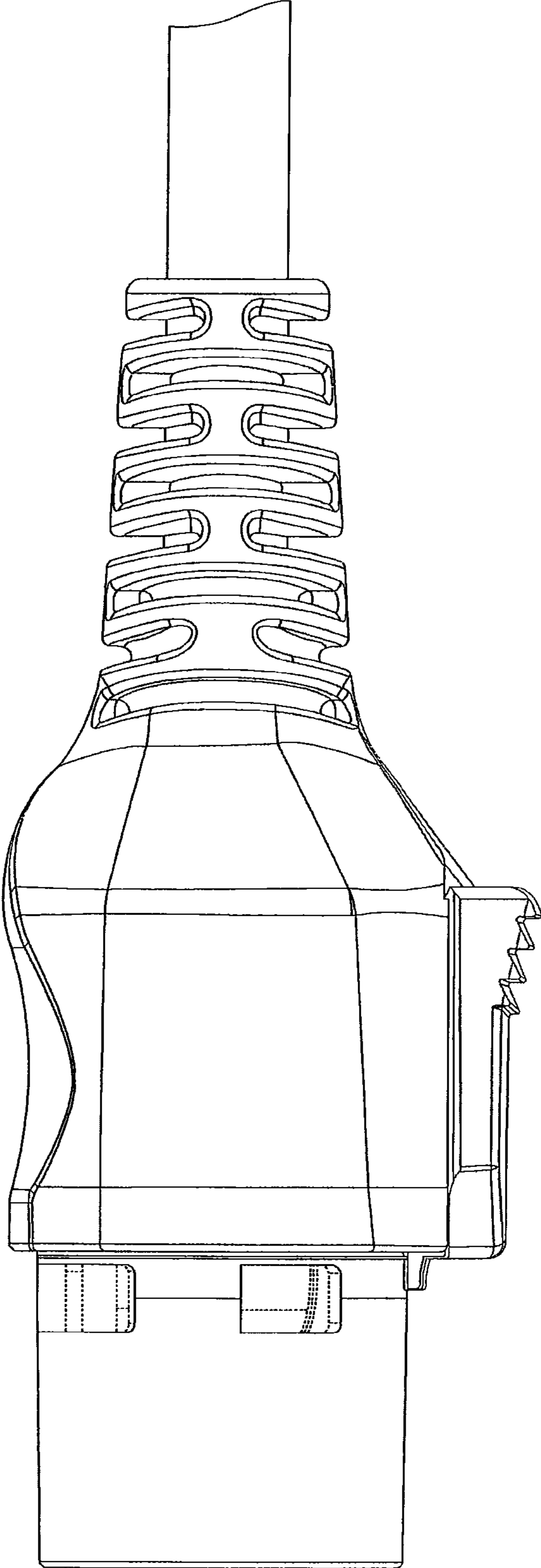
**FIG. 2**



**FIG. 3**

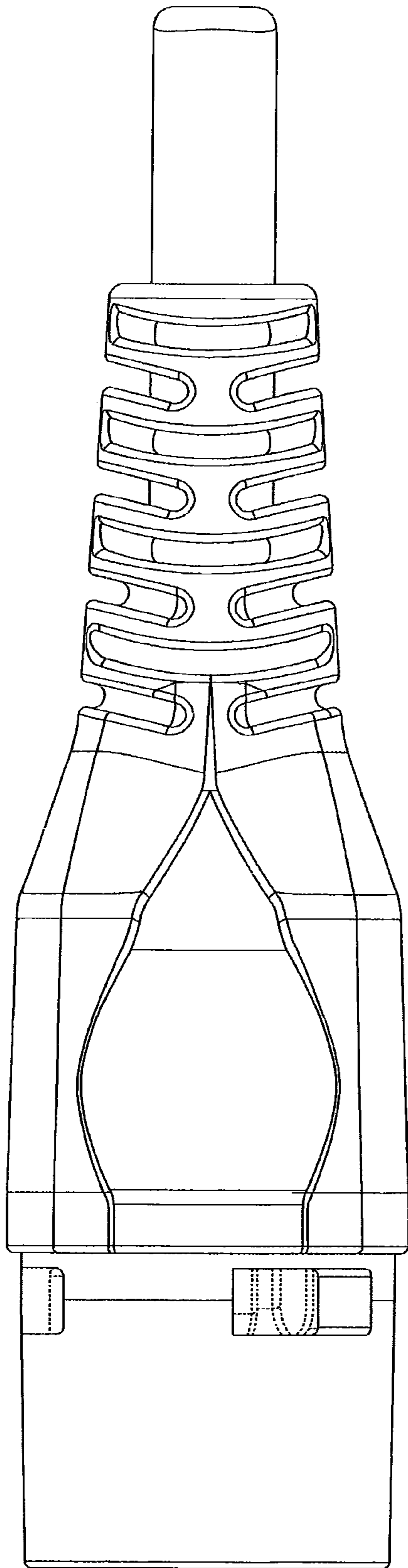


**FIG. 4**



**FIG. 5**





**FIG. 6**

