



US00D692828S

(12) **United States Design Patent**  
**Winningham et al.**

(10) **Patent No.:** **US D692,828 S**  
(45) **Date of Patent:** **\*\* Nov. 5, 2013**

(54) **PLUG CONNECTOR**

(75) Inventors: **Matthew Winningham**, Royal Oak, MI  
(US); **John Albert Swiatek**, Shelby  
Township, MI (US)

(73) Assignees: **Matthew Winningham**, Royal Oak, MI  
(US); **John A. Swiatek**, Shelby  
Township, MI (US)

(\*\*) Term: **14 Years**

(21) Appl. No.: **29/424,381**

(22) Filed: **Jun. 12, 2012**

(51) **LOC (9) Cl.** ..... **13-03**

(52) **U.S. Cl.**  
USPC ..... **D13/133**

(58) **Field of Classification Search**  
USPC ..... D13/133, 154, 184, 199; 439/180, 246,  
439/252, 278, 374, 378, 380, 381, 527, 529,  
439/606, 668-669, 675-676, 680, 750-751,  
439/892, 894

See application file for complete search history.

(56) **References Cited**

U.S. PATENT DOCUMENTS

4,938,717 A *	7/1990	Lau	.....	439/669
D399,185 S *	10/1998	Lin	.....	D13/133
6,494,746 B2 *	12/2002	D'Addario	.....	439/668
D577,678 S *	9/2008	Ball et al.	.....	D13/133
D579,413 S *	10/2008	Ball et al.	.....	D13/133
D587,204 S *	2/2009	Bachmann	.....	D13/133
D675,985 S *	2/2013	Izen et al.	.....	D13/133
2011/0039449 A1 *	2/2011	Montena	.....	439/585

\* cited by examiner

*Primary Examiner* — Thomas Johannes

(74) *Attorney, Agent, or Firm* — Dickinson Wright PLLC

(57) **CLAIM**

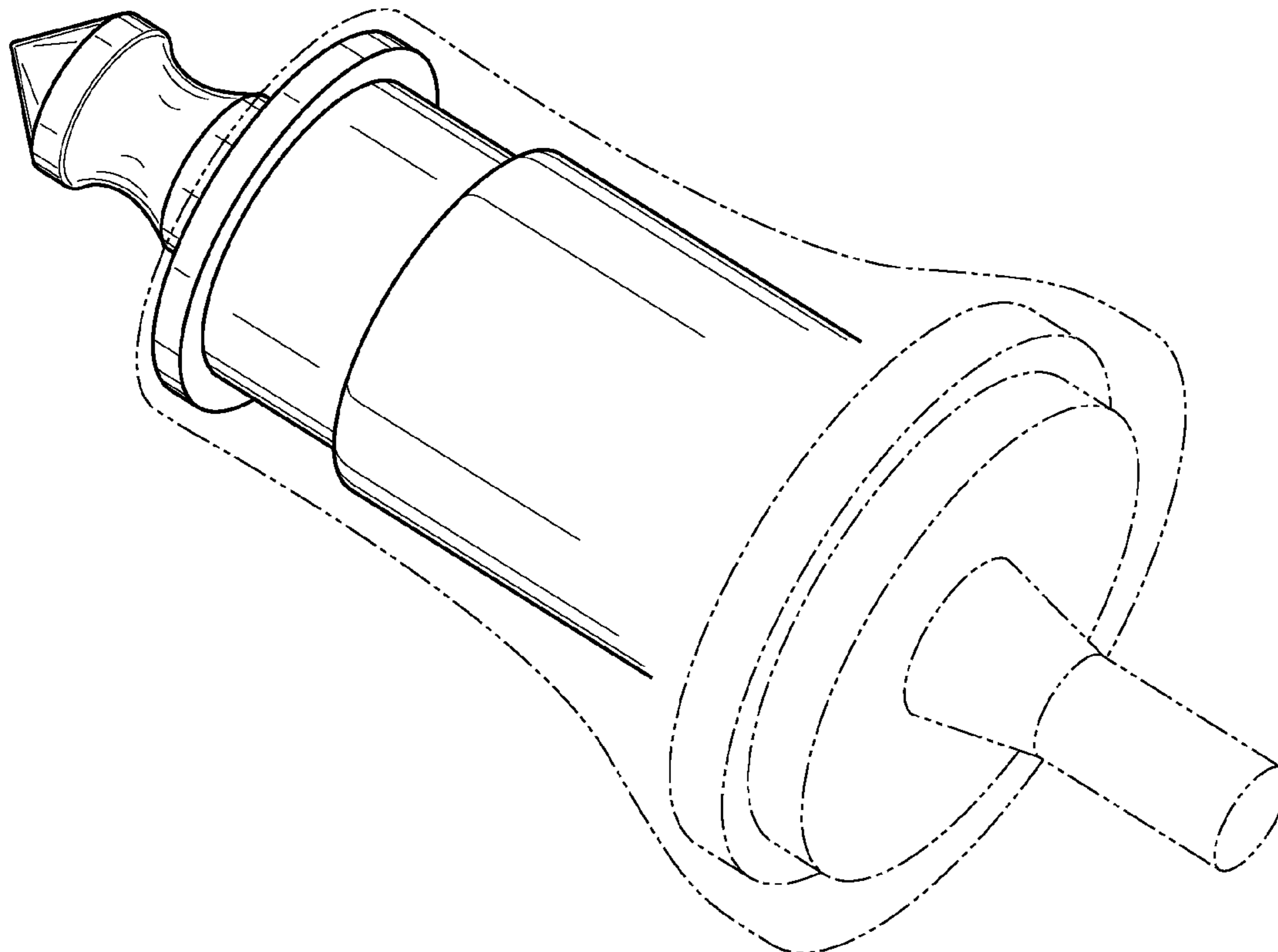
The ornamental design for a plug connector, as shown and described.

**DESCRIPTION**

FIG. 1 is a perspective view of a plug connector, showing our new design, with an unclaimed usage environment; FIG. 2 is a side view thereof, without usage environment; FIG. 3 is an end view thereof in the direction of the tip; and, FIG. 4 is another perspective view thereof, with another unclaimed usage environment.

The broken line portion of the figure drawings is included to show unclaimed subject matter and usage environment only and forms no part of the claimed design.

**1 Claim, 2 Drawing Sheets**



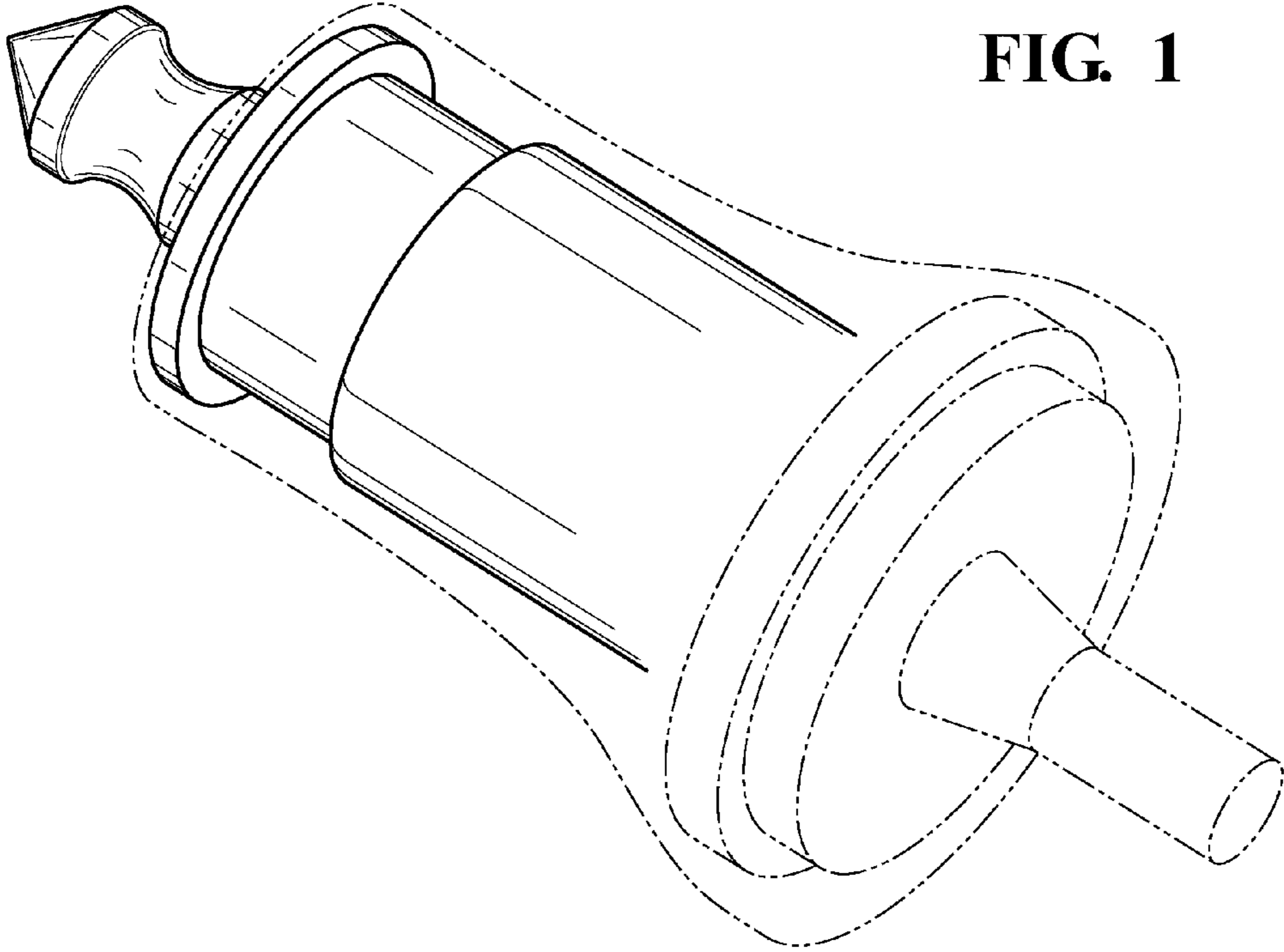
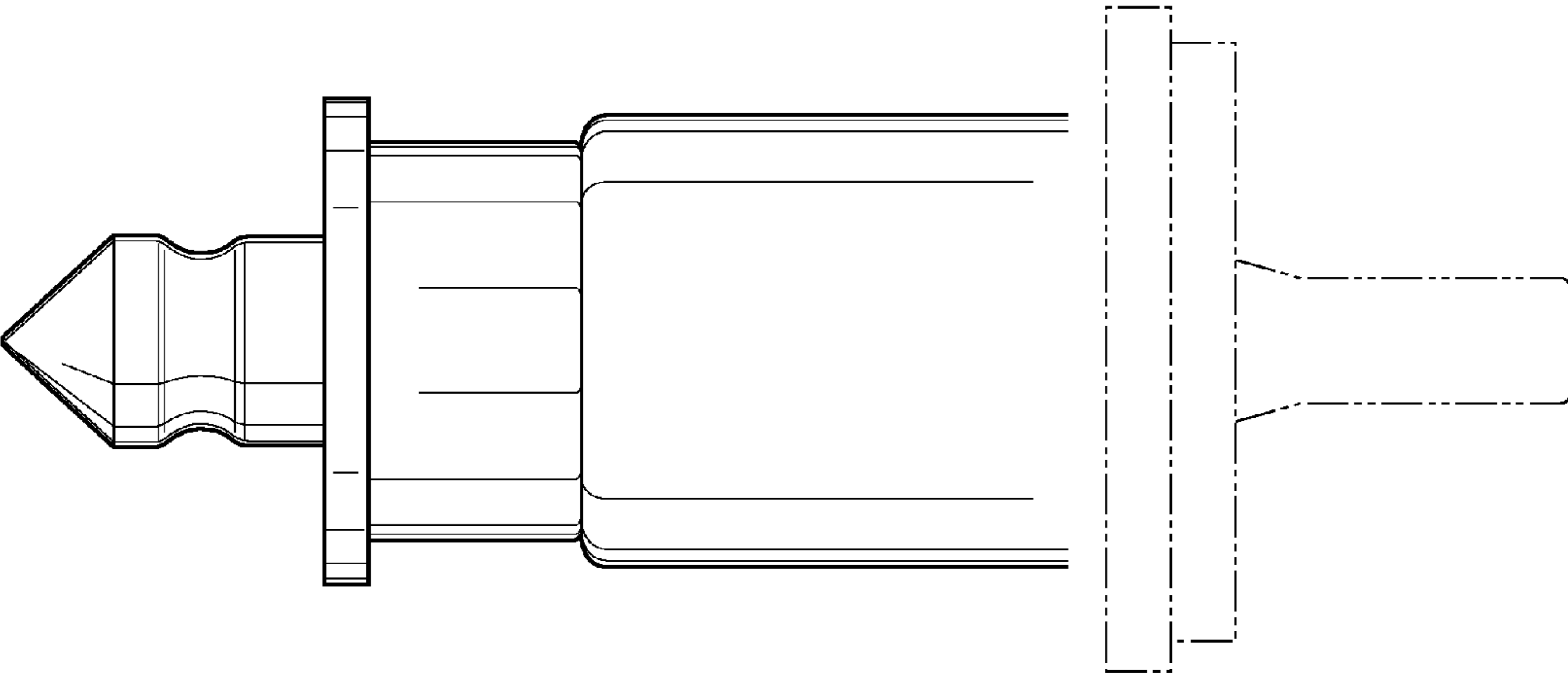
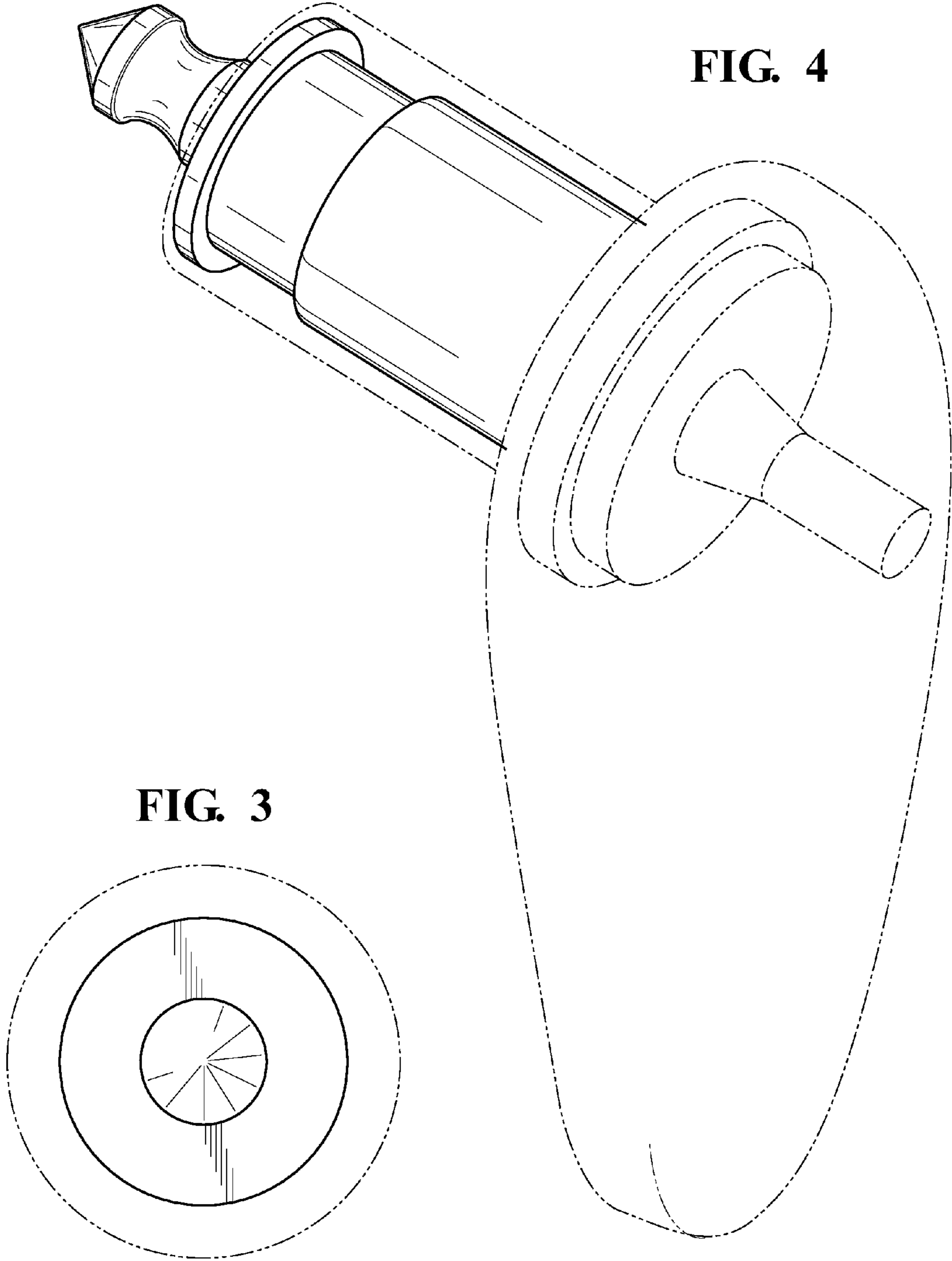


FIG. 1

FIG. 2





**FIG. 3**

**FIG. 4**