



US00D692825S

(12) **United States Design Patent**  
**Izen et al.**

(10) **Patent No.:** **US D692,825 S**  
(45) **Date of Patent:** **\*\* Nov. 5, 2013**

(54) **CHARGER**

(71) Applicant: **First Act, Inc.**, Boston, MA (US)

(72) Inventors: **Mark S. Izen**, Chestnut Hill, MA (US);  
**Craig Small**, Framingham, MA (US)

(73) Assignee: **First Act, Inc.**, Boston, MA (US)

(\*\*) Term: **14 Years**

(21) Appl. No.: **29/441,448**

(22) Filed: **Jan. 4, 2013**

(51) **LOC (9) Cl.** ..... **13-02**

(52) **U.S. Cl.**  
USPC ..... **D13/108**

(58) **Field of Classification Search**  
USPC ..... D13/107-110, 118-119, 184, 199;  
D14/217, 251, 253, 432, 434;  
320/107-115

See application file for complete search history.

(56) **References Cited**

U.S. PATENT DOCUMENTS

D398,287 S	9/1998	Luminosu	
D442,543 S	5/2001	Krumenacker et al.	
D525,937 S	8/2006	Seil et al.	
D569,342 S	5/2008	Suzuki	
D573,946 S *	7/2008	Ledbetter et al. ....	D13/110
D592,598 S	5/2009	Kettula	
D611,415 S *	3/2010	Andre et al. ....	D13/138.1
D627,729 S *	11/2010	Smith et al. ....	D13/138.1
D632,653 S	2/2011	Wikel et al.	

D638,357 S *	5/2011	Sasada et al. ....	D13/110
D639,238 S *	6/2011	Serrano .....	D13/110
D652,384 S	1/2012	Lee	
D653,208 S *	1/2012	Au .....	D13/108
D653,614 S *	2/2012	Au .....	D13/108
D653,615 S *	2/2012	Au .....	D13/108
D655,243 S *	3/2012	Au .....	D13/108
D655,244 S *	3/2012	Au .....	D13/108
D655,247 S	3/2012	Fitch et al.	
D663,687 S *	7/2012	Liu .....	D13/108
D671,489 S *	11/2012	Zaslavsky et al. ....	D13/110
D673,909 S *	1/2013	Zaslavsky et al. ....	D13/110
D675,158 S *	1/2013	Smith et al. ....	D13/110
D677,221 S *	3/2013	McSweyn .....	D13/108

\* cited by examiner

*Primary Examiner* — Rosemary K Tarcza

(74) *Attorney, Agent, or Firm* — Lando & Anastasi, LLP

(57) **CLAIM**

The ornamental design for a charger, as shown and described.

**DESCRIPTION**

FIG. 1 is a perspective view of the charger according to our new design;

FIG. 2 is a top view thereof;

FIG. 3 is a bottom view thereof;

FIG. 4 is a side view as seen from the left side in FIG. 2;

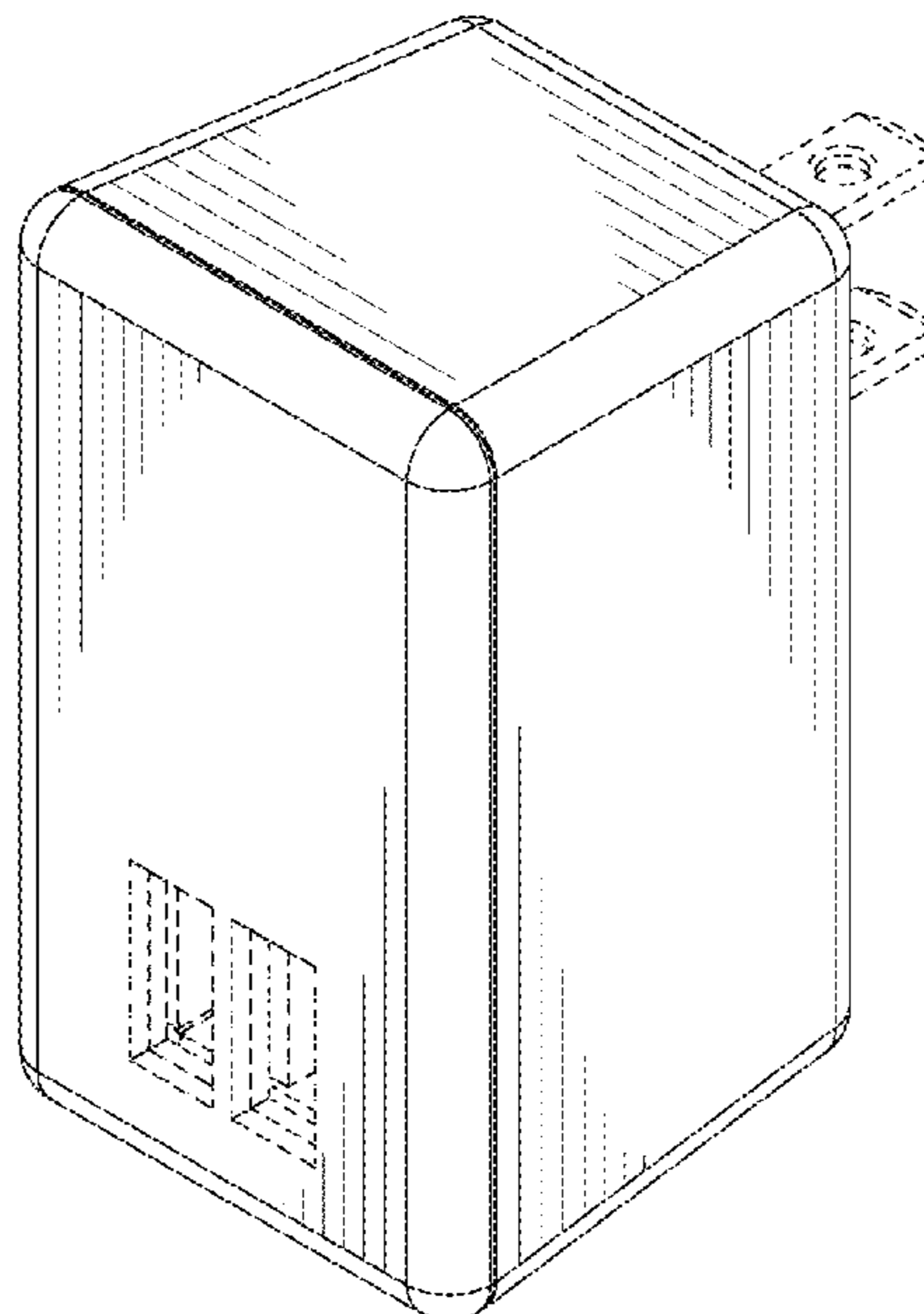
FIG. 5 is a side view as seen from the right side in FIG. 2;

FIG. 6 is a front view thereof; and,

FIG. 7 is a rear view thereof.

The broken lines shown in the drawing are for illustrative purposes only and form no part of the claimed design.

**1 Claim, 7 Drawing Sheets**



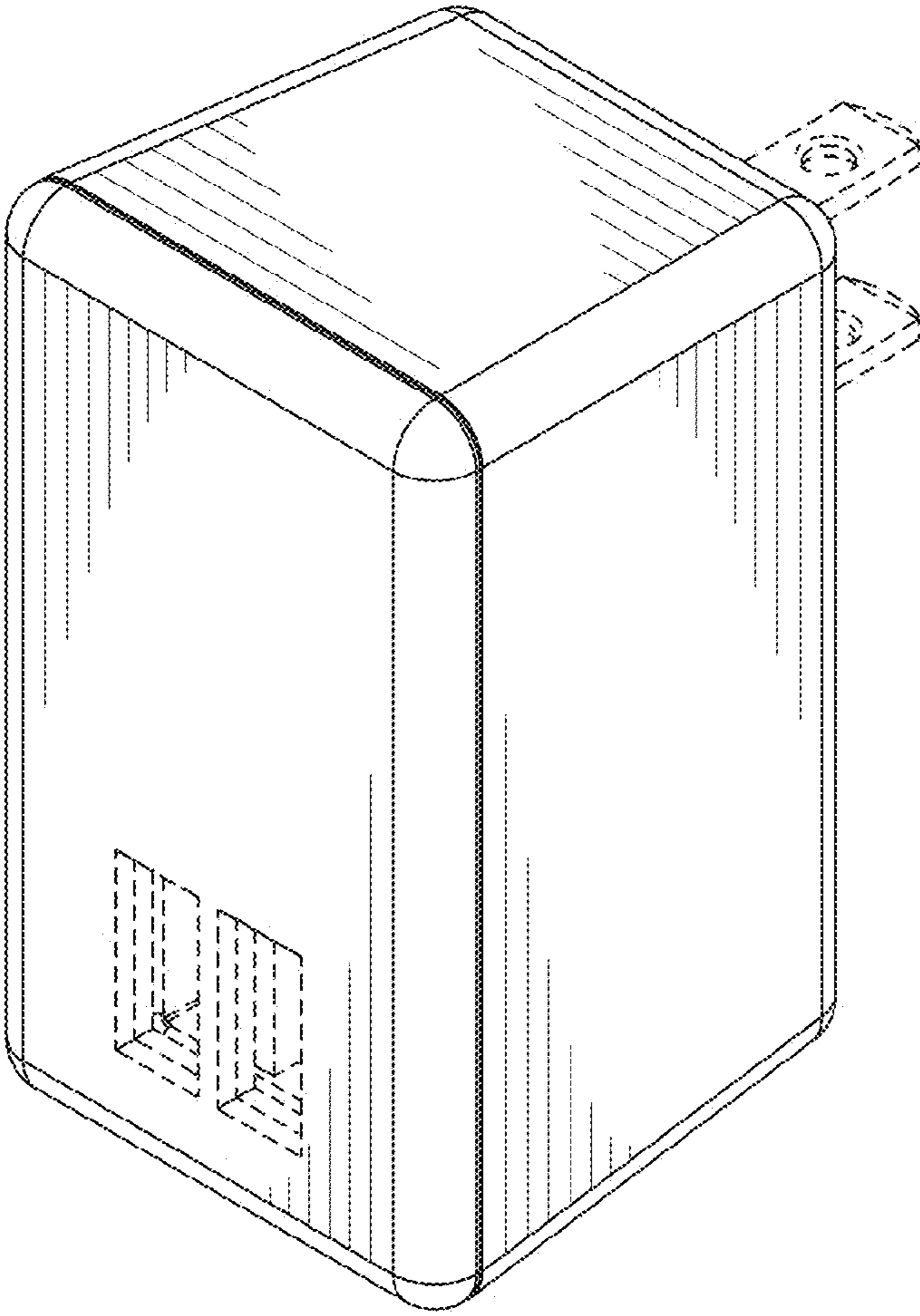


Fig. 1

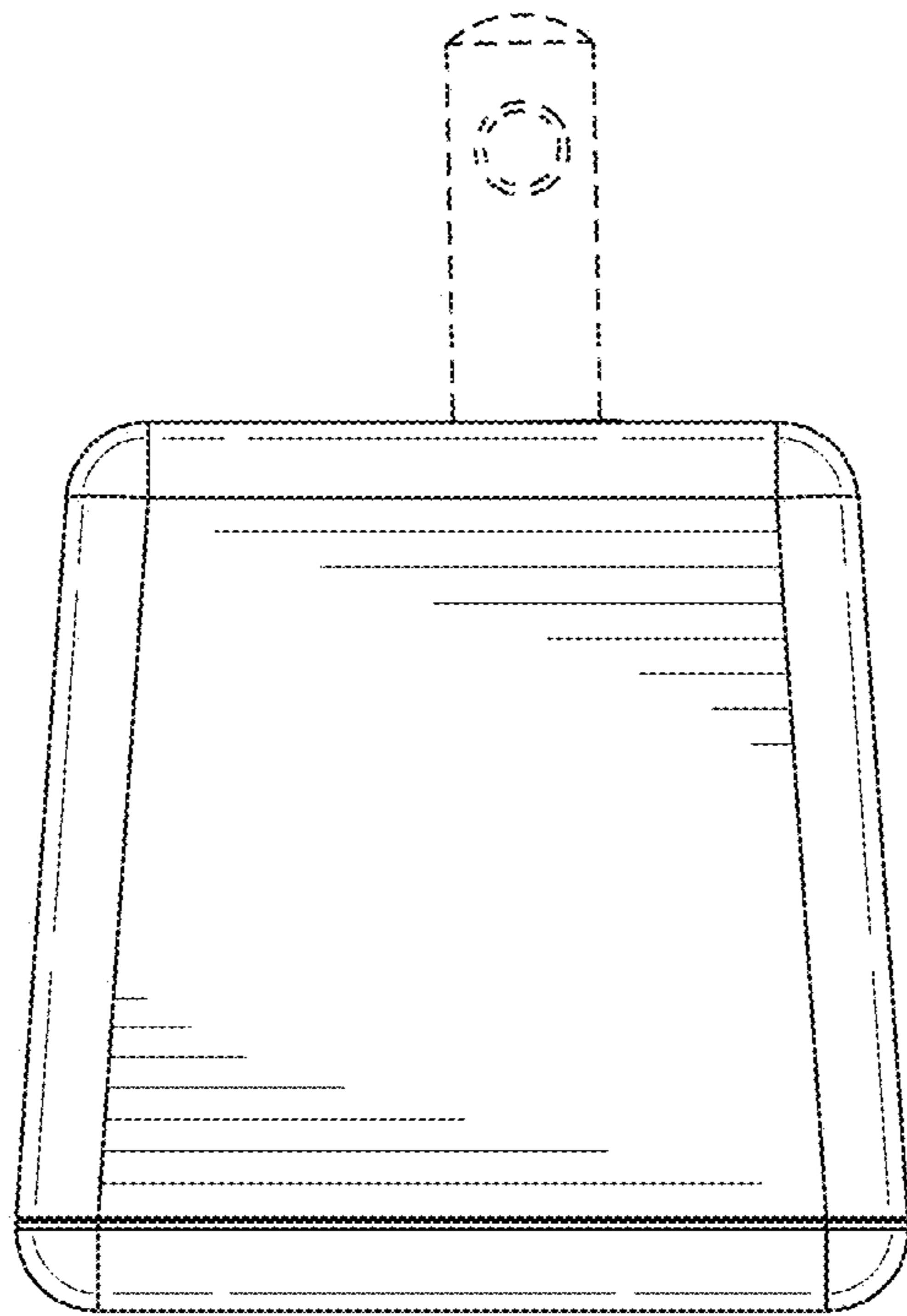


Fig. 2

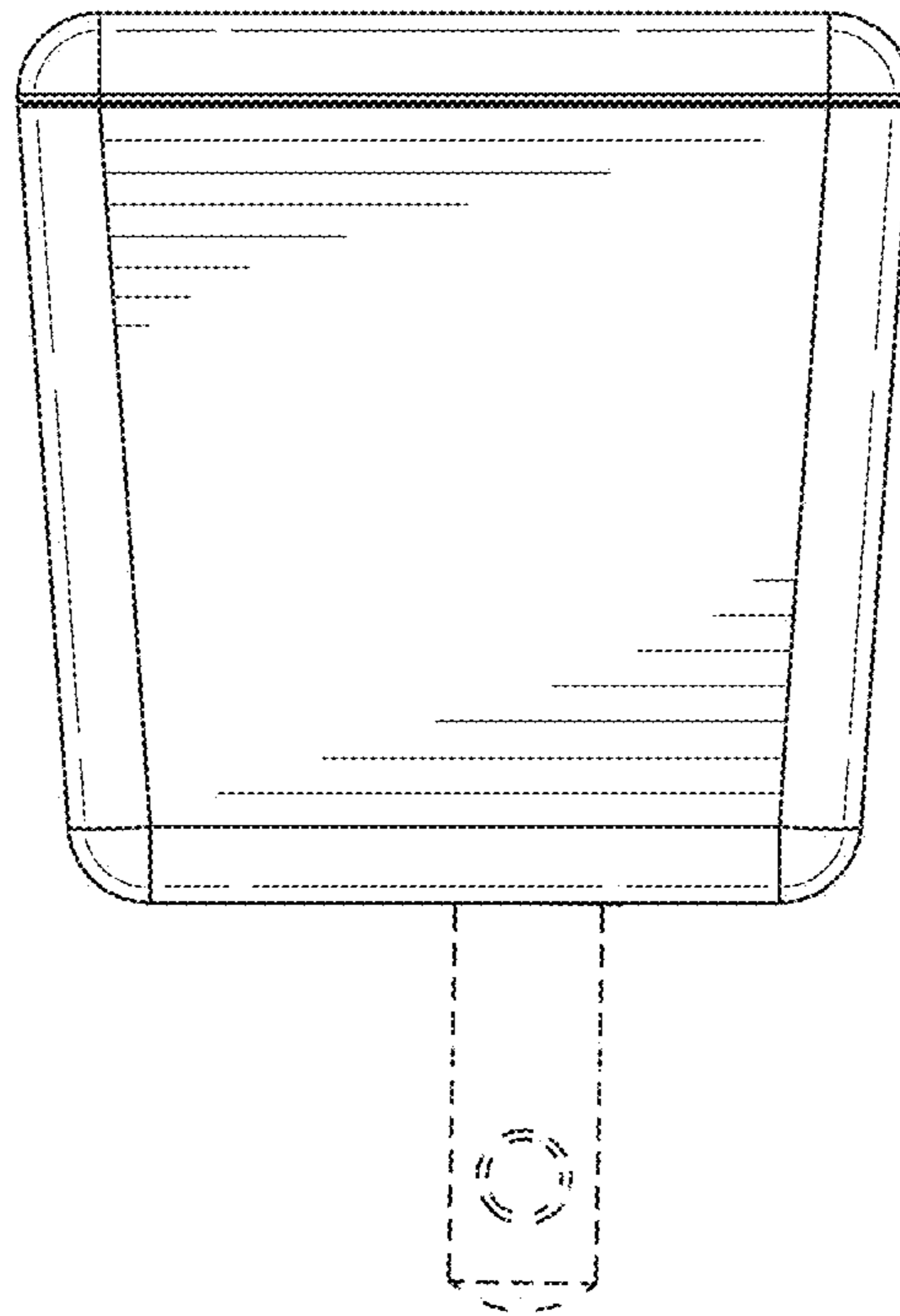


Fig. 3

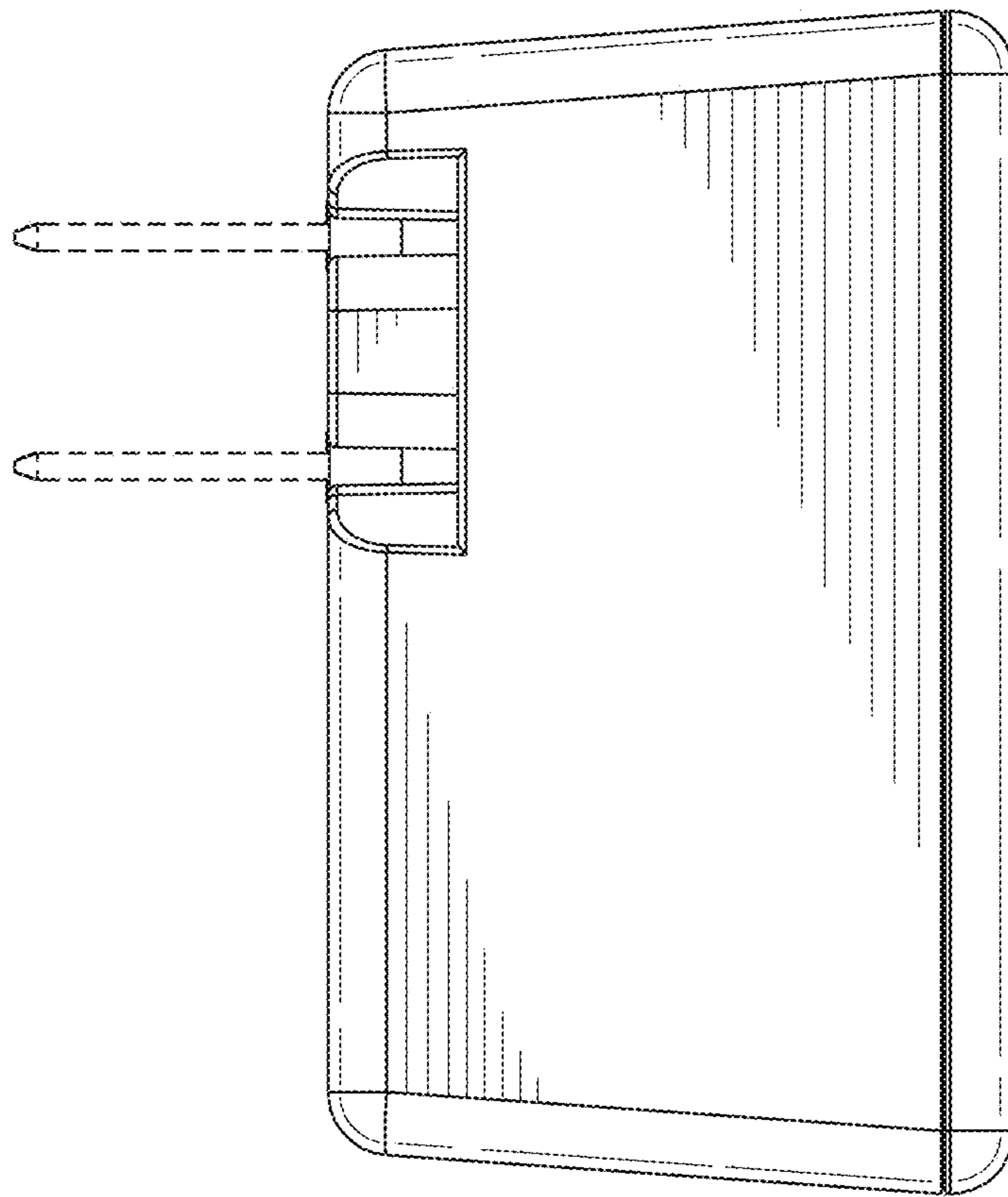


Fig. 4

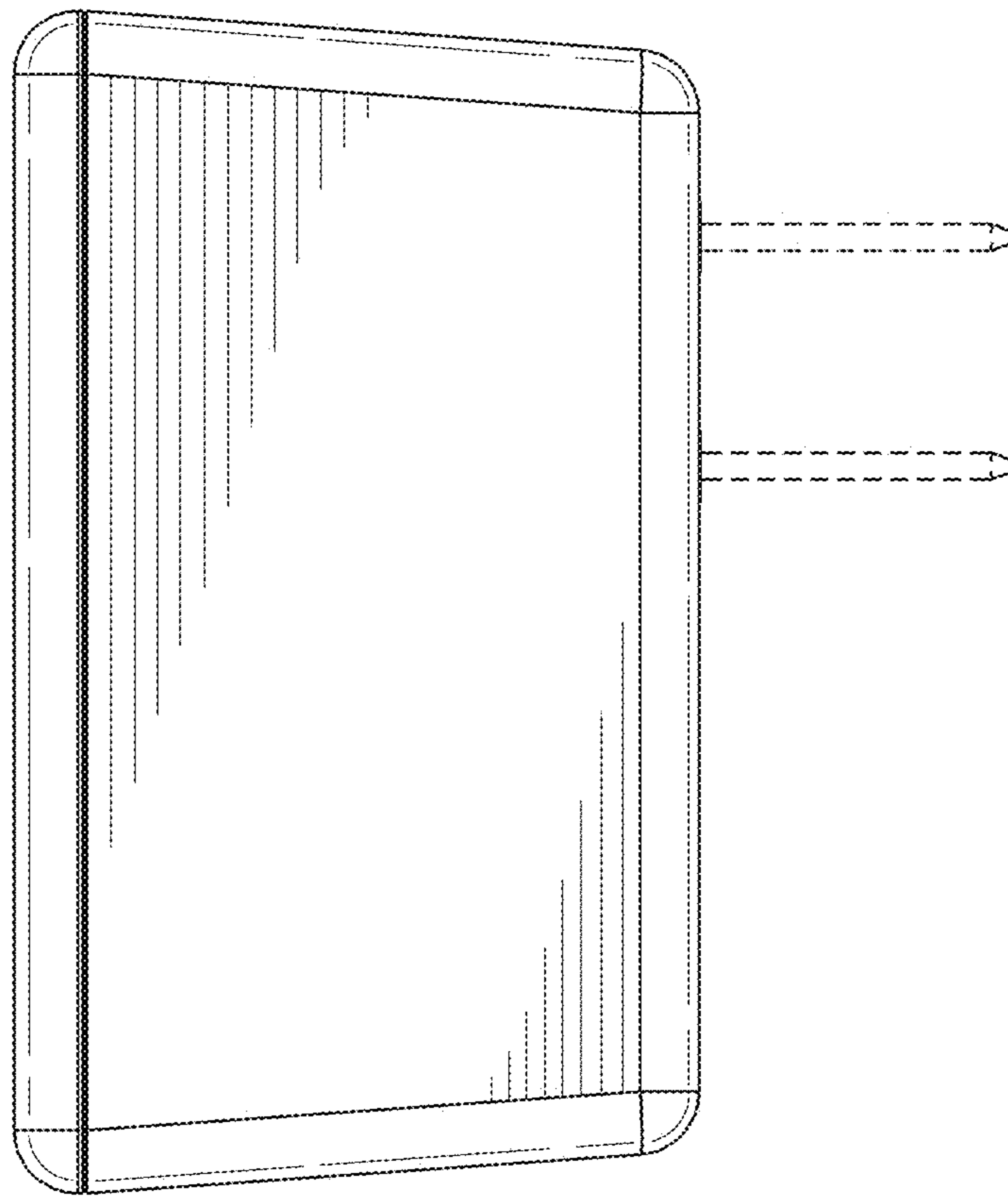


Fig. 5

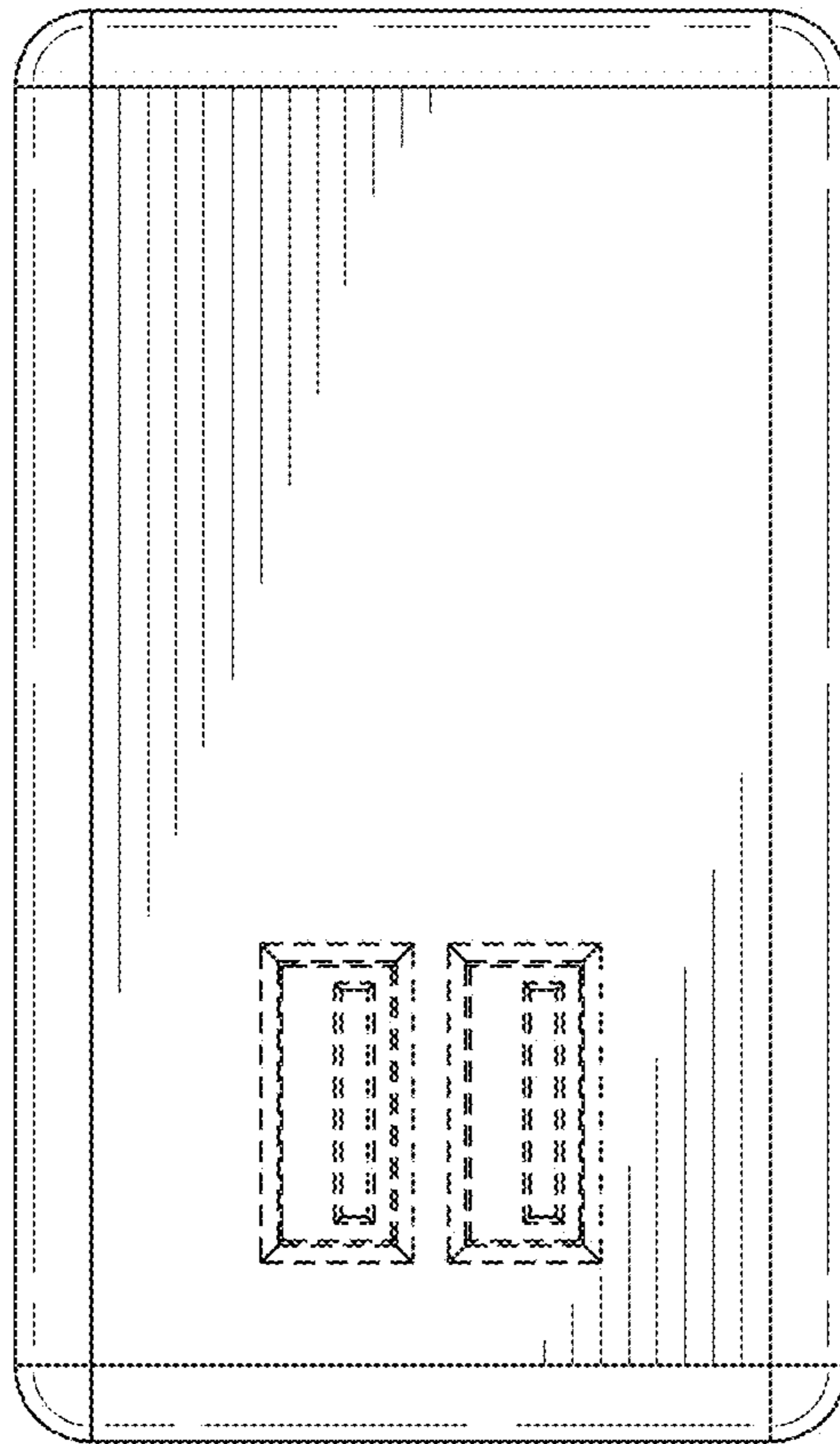


Fig. 6

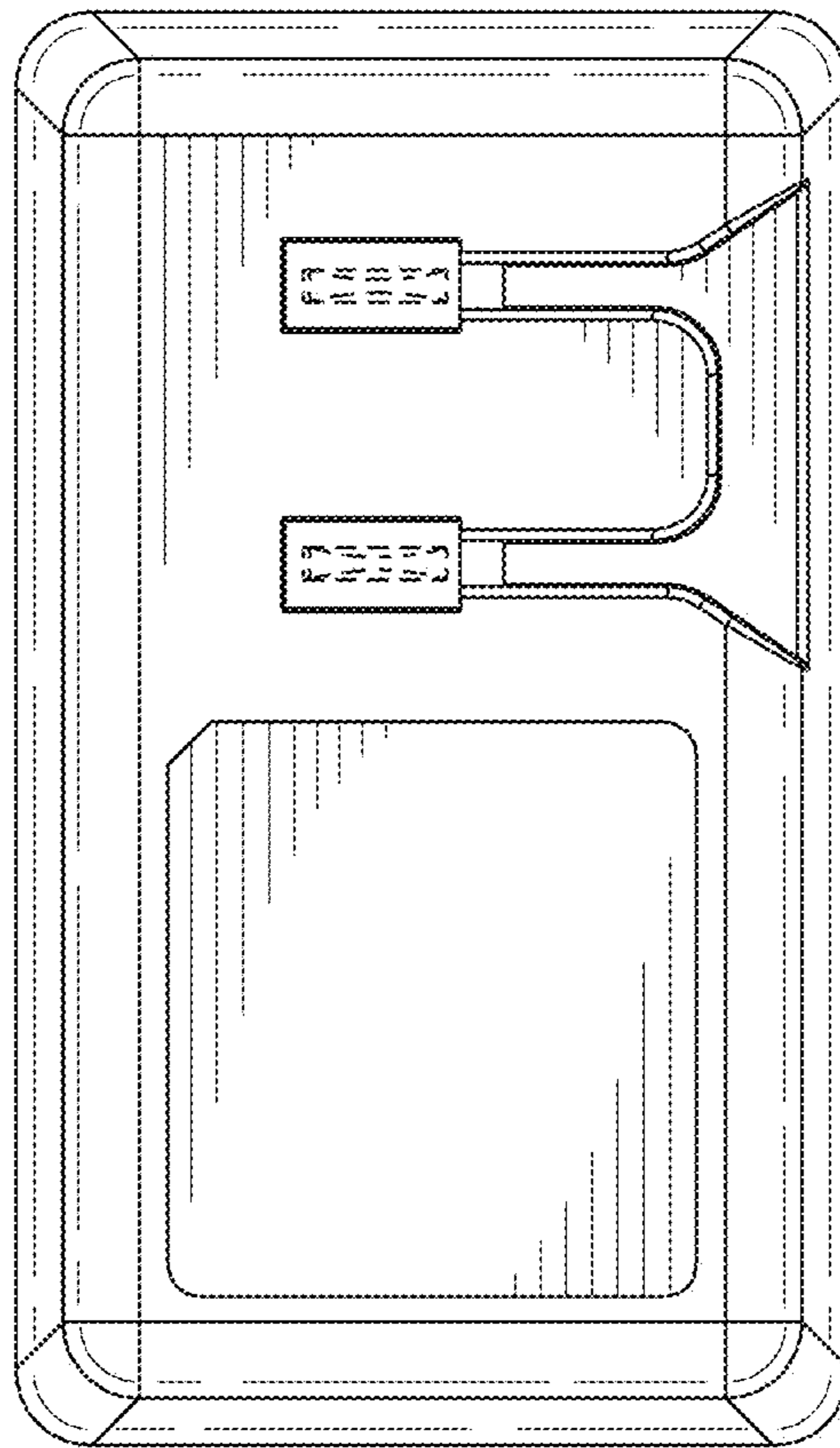


Fig. 7