



US00D692823S

(12) **United States Design Patent**
Tanaka

(10) **Patent No.:** **US D692,823 S**

(45) **Date of Patent:** **** Nov. 5, 2013**

(54) **RECHARGEABLE BATTERY**

(75) Inventor: **Soichi Tanaka**, Tokyo (JP)

(73) Assignee: **Sony Corporation**, Tokyo (JP)

(**) Term: **14 Years**

(21) Appl. No.: **29/421,403**

(22) Filed: **Jul. 18, 2012**

(51) **LOC (9) Cl.** **13-02**

(52) **U.S. Cl.**
USPC **D13/103**

(58) **Field of Classification Search**
USPC D13/102-108, 110, 118-121, 184, 199;
429/96-100, 163, 176
See application file for complete search history.

(56) **References Cited**

U.S. PATENT DOCUMENTS

D485,530 S *	1/2004	Ogasawara	D13/103
D537,774 S *	3/2007	Hussaini et al.	D13/103
D625,263 S *	10/2010	Takuma	D13/119
D635,506 S *	4/2011	Morisawa	D13/103

D637,157 S *	5/2011	Andre et al.	D13/119
D655,673 S *	3/2012	Masui	D13/103
D658,583 S *	5/2012	Andre et al.	D13/119
D669,849 S *	10/2012	Morisawa	D13/103
D669,850 S *	10/2012	Morisawa	D13/103
D670,240 S *	11/2012	Morisawa	D13/103
D672,713 S *	12/2012	Masui	D13/103
D677,620 S *	3/2013	Corbin et al.	D13/103
D678,184 S *	3/2013	Banko et al.	D13/103

* cited by examiner

Primary Examiner — Rosemary K Tarcza

(74) *Attorney, Agent, or Firm* — Rader, Fishman & Grauer PLLC

(57) **CLAIM**

The ornamental design for a rechargeable battery, as shown.

DESCRIPTION

FIG. 1 is a perspective view of a rechargeable battery showing my new design;
FIG. 2 is a front elevational view thereof;
FIG. 3 is a rear elevational view thereof;
FIG. 4 is a left side elevational view thereof;
FIG. 5 is a right side elevational view thereof;
FIG. 6 is a top plan view thereof; and,
FIG. 7 is a bottom plan view thereof.

1 Claim, 5 Drawing Sheets

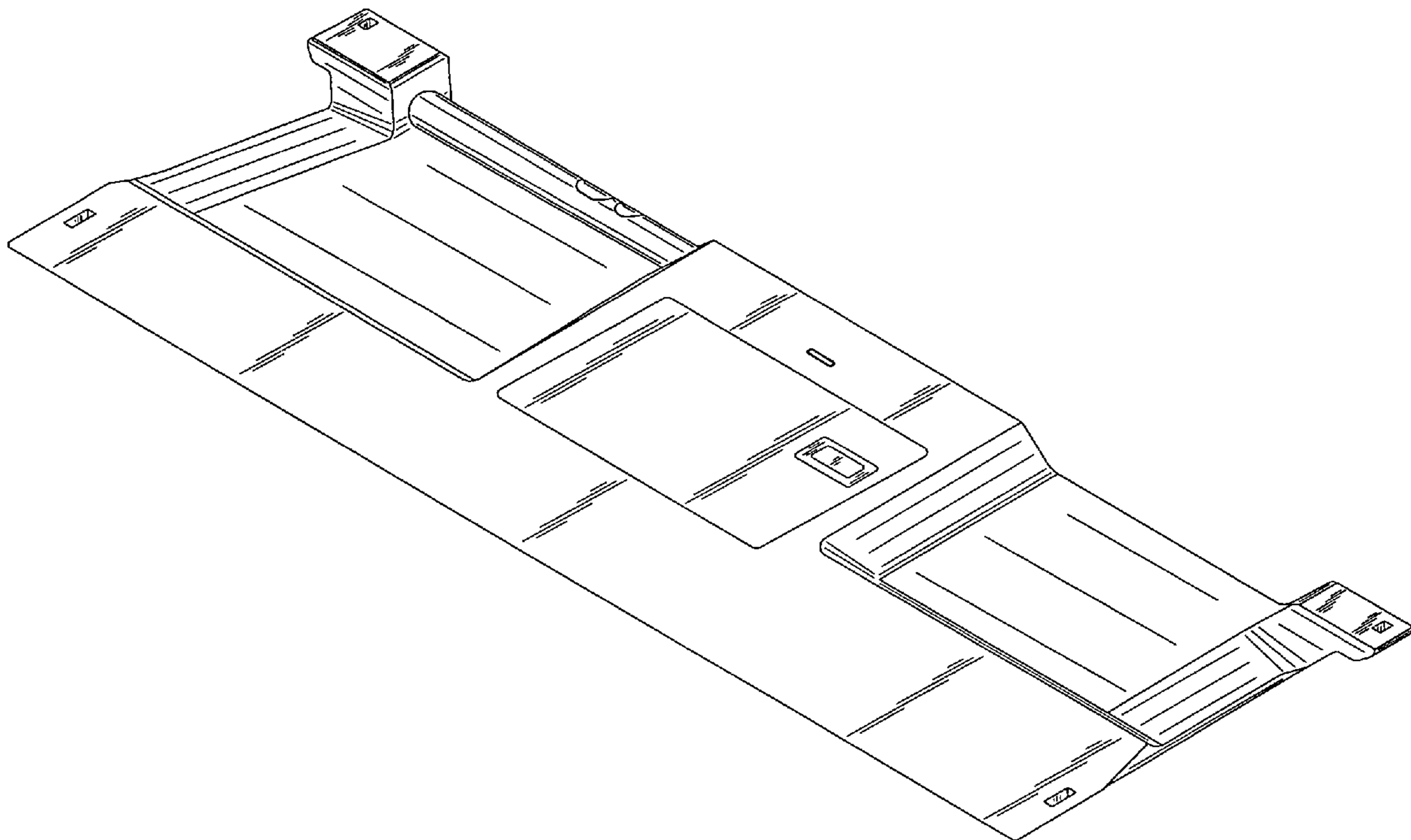


FIG. 1

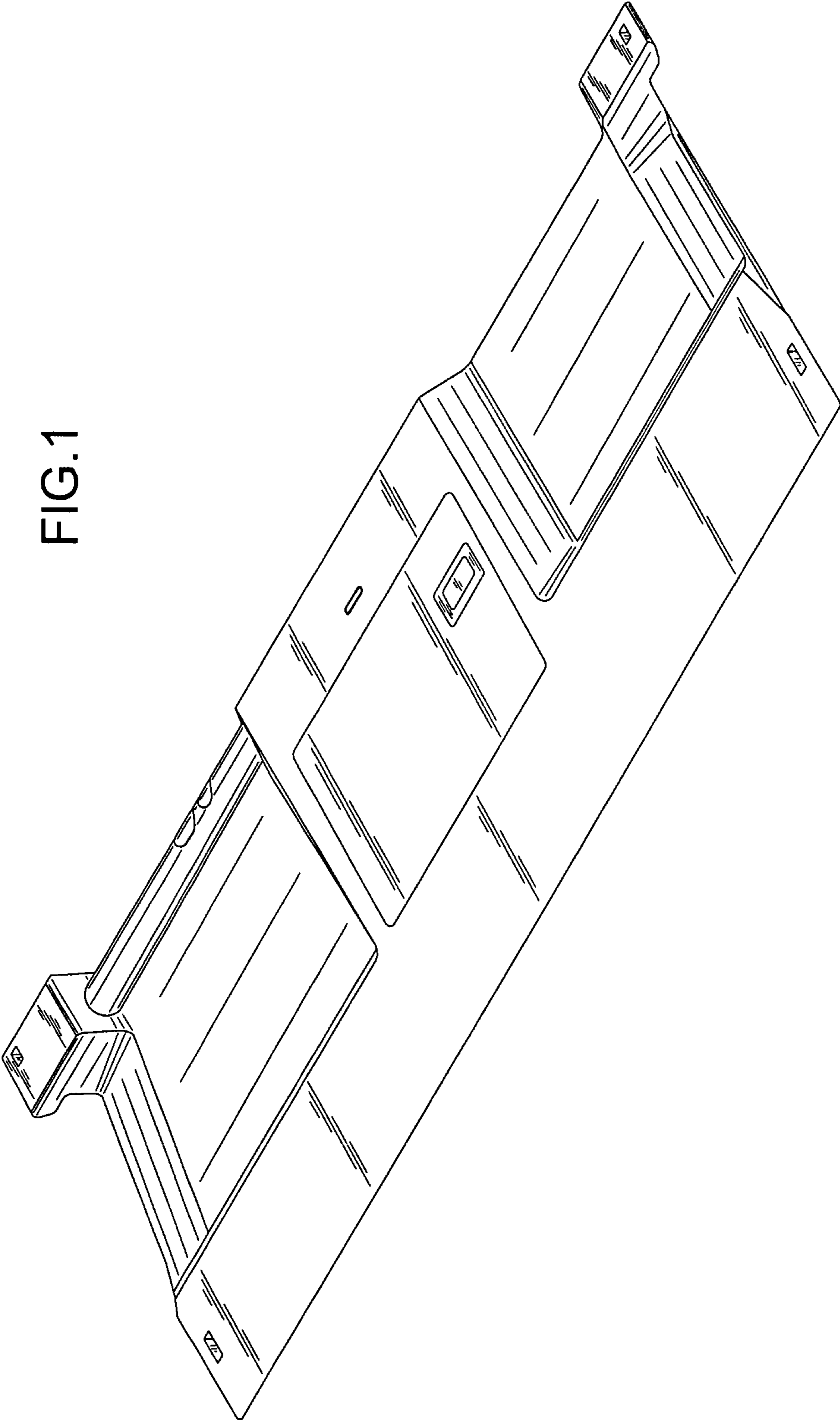


FIG.2

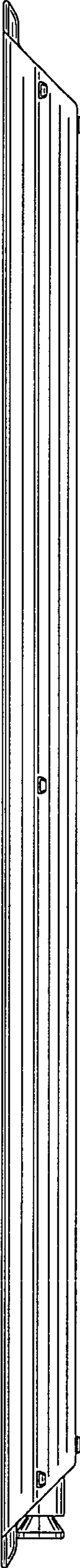


FIG.3

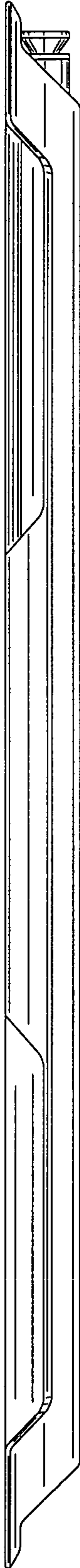


FIG.4

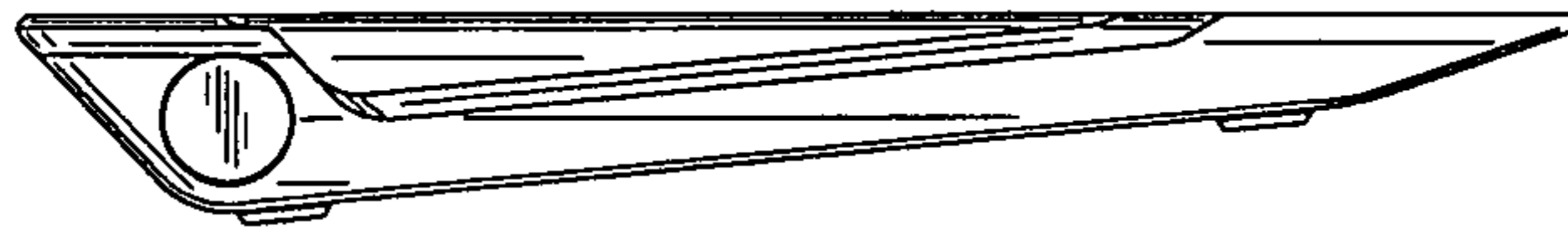


FIG.5



FIG. 6

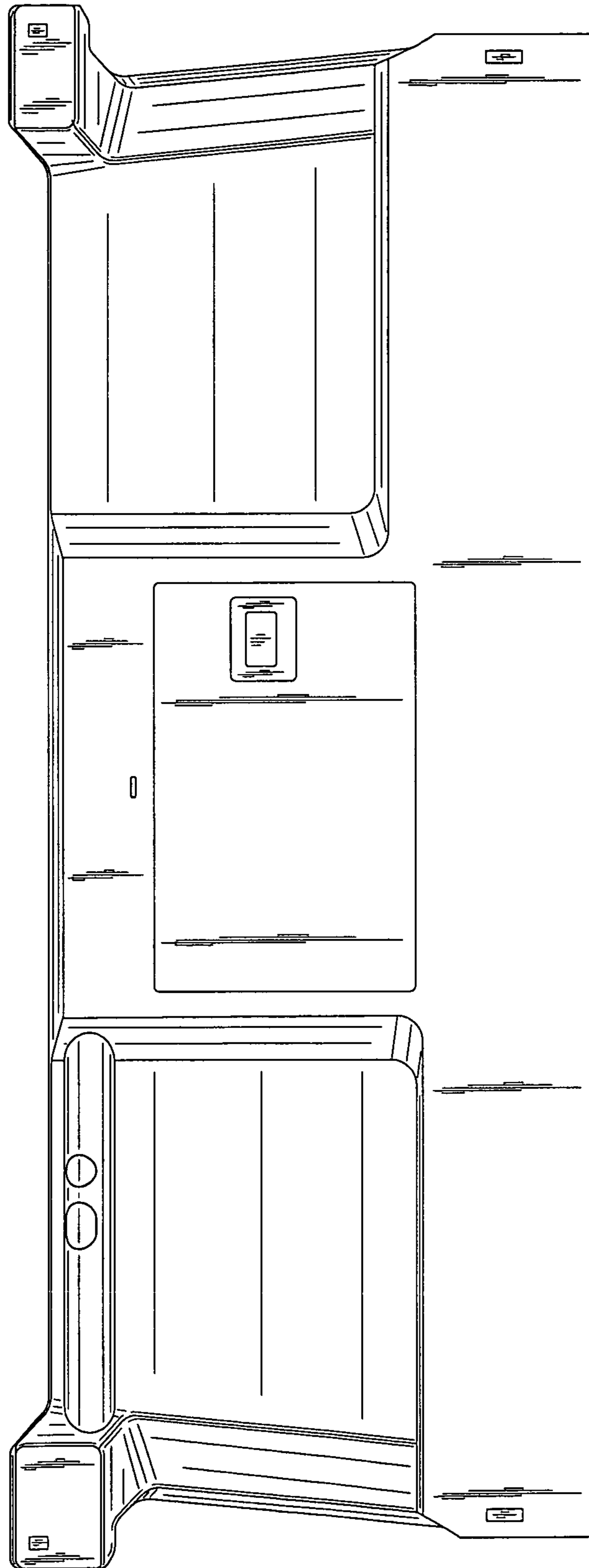


FIG. 7

