



US00D692822S

(12) **United States Design Patent**  
**Nakamura**

(10) **Patent No.:** **US D692,822 S**  
(45) **Date of Patent:** **\*\* Nov. 5, 2013**

- (54) **TIRE**
- (71) Applicant: **Takamitsu Nakamura**, Tokyo (JP)
- (72) Inventor: **Takamitsu Nakamura**, Tokyo (JP)
- (73) Assignee: **Bridgestone Corporation**, Tokyo (JP)
- (\*\*) Term: **14 Years**
- (21) Appl. No.: **29/452,194**
- (22) Filed: **Apr. 12, 2013**

D656,888 S 4/2012 Nakamura  
 D664,913 S \* 8/2012 Le et al. .... D12/521  
 D673,894 S \* 1/2013 Hughes et al. .... D12/521

FOREIGN PATENT DOCUMENTS

JP 1379466 S 2/2010

OTHER PUBLICATIONS

Japanese Design Gazette dated May 21, 2012 issued in the counter-  
part Japanese Design Application No. D2011-18037.

\* cited by examiner

*Primary Examiner* — George D Kirschbaum  
(74) *Attorney, Agent, or Firm* — Sughrue Mion, PLLC

(57) **CLAIM**  
The ornamental design for a tire, as shown and described.

**DESCRIPTION**

FIG. 1 is a perspective view of a tread portion of an automobile tire according to my new design;  
 FIG. 2 is a front view thereof;  
 FIG. 3 is a rear view thereof;  
 FIG. 4 is a plane view thereof;  
 FIG. 5 is a left side view thereof;  
 FIG. 6 is a right side view thereof;  
 FIG. 7 is an enlarged fragmentary view thereof;  
 FIG. 8 is an end view taken along line 8-8 in FIG. 7 thereof;  
 FIG. 9 is an end view taken along line 9-9 in FIG. 7 thereof;  
 and,  
 FIG. 10 is an end view taken along line 10-10 in FIG. 7 thereof.

**Related U.S. Application Data**

- (62) Division of application No. 29/398,990, filed on Aug. 8, 2011.

**Foreign Application Priority Data**

- Feb. 9, 2011 (JP) ..... 2011-002780
- Aug. 5, 2011 (JP) ..... 2011-018037

(51) **LOC (9) Cl.** ..... **12-15**

(52) **U.S. Cl.**  
USPC ..... **D12/521**

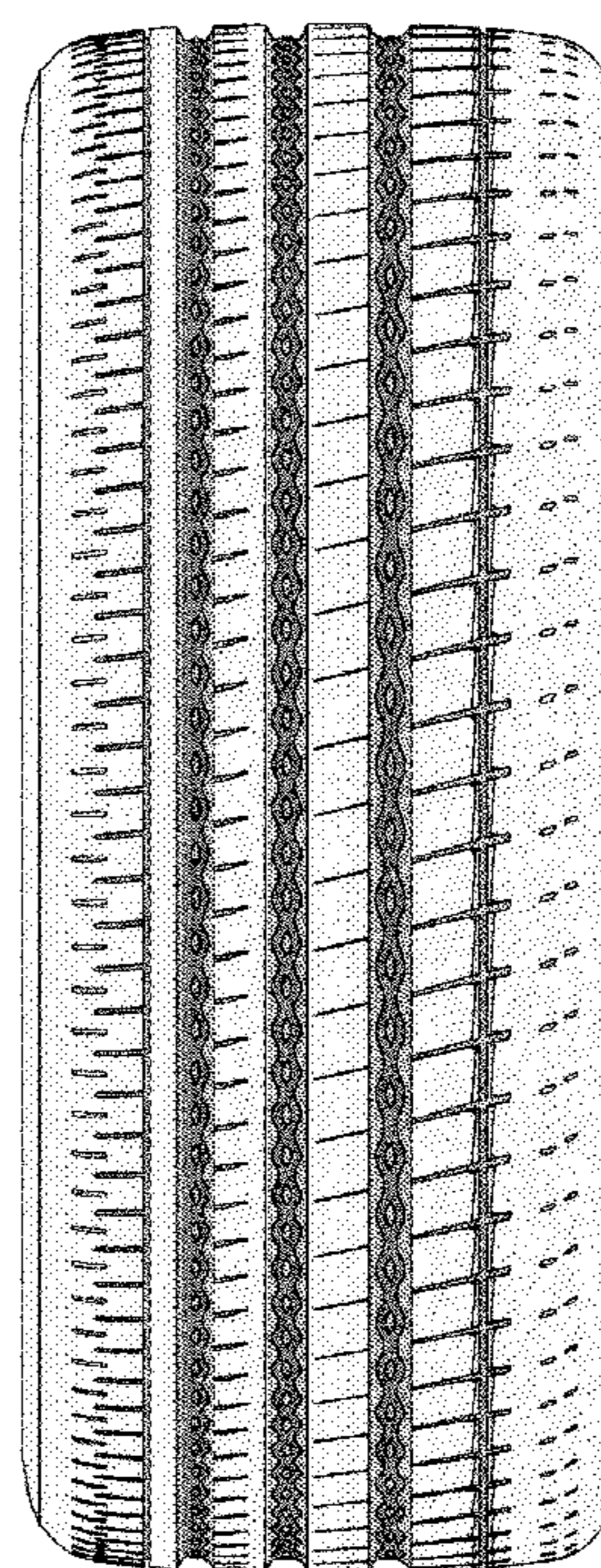
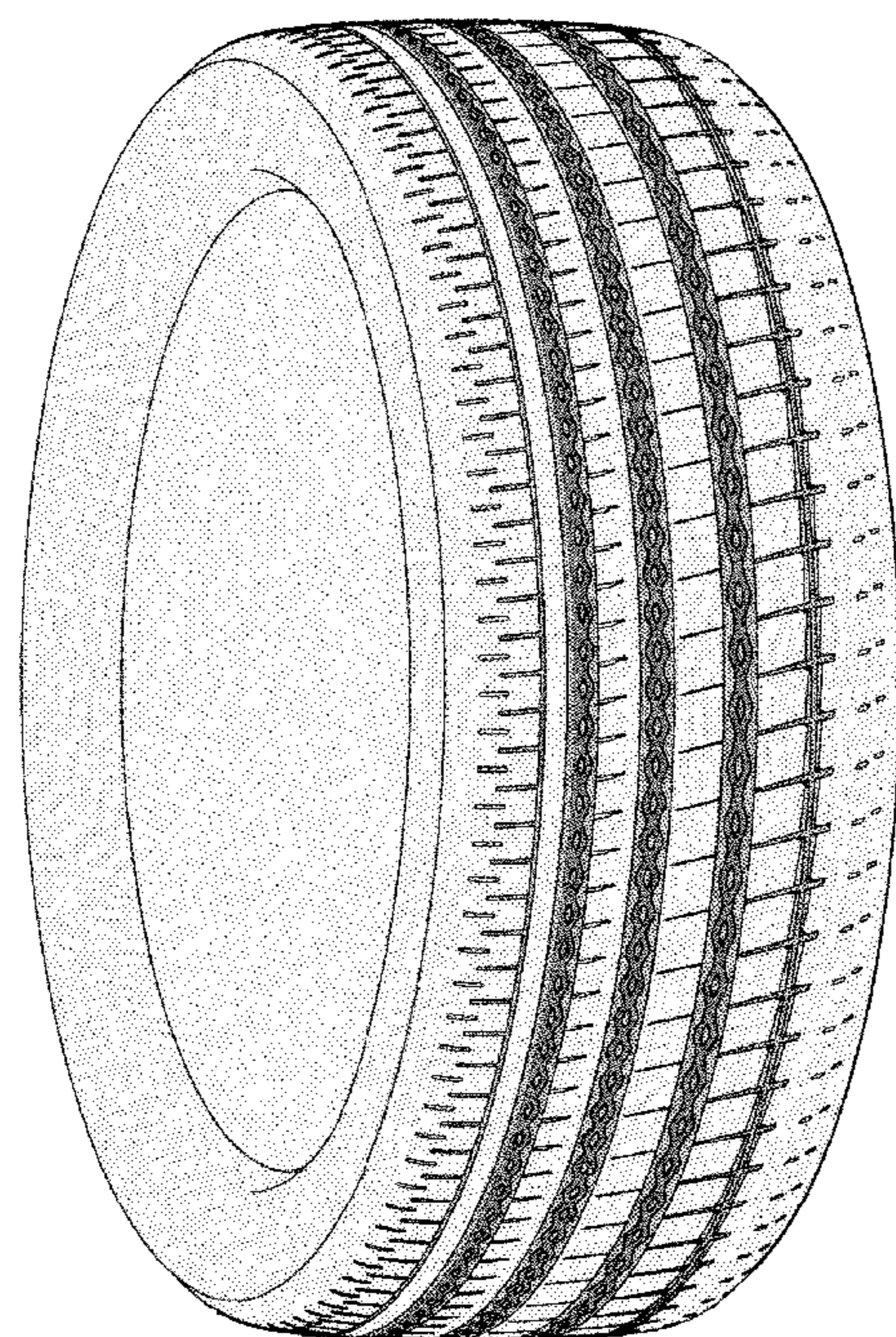
(58) **Field of Classification Search**  
USPC ..... D12/505-532; 152/209.1-209.28  
See application file for complete search history.

(56) **References Cited**

U.S. PATENT DOCUMENTS

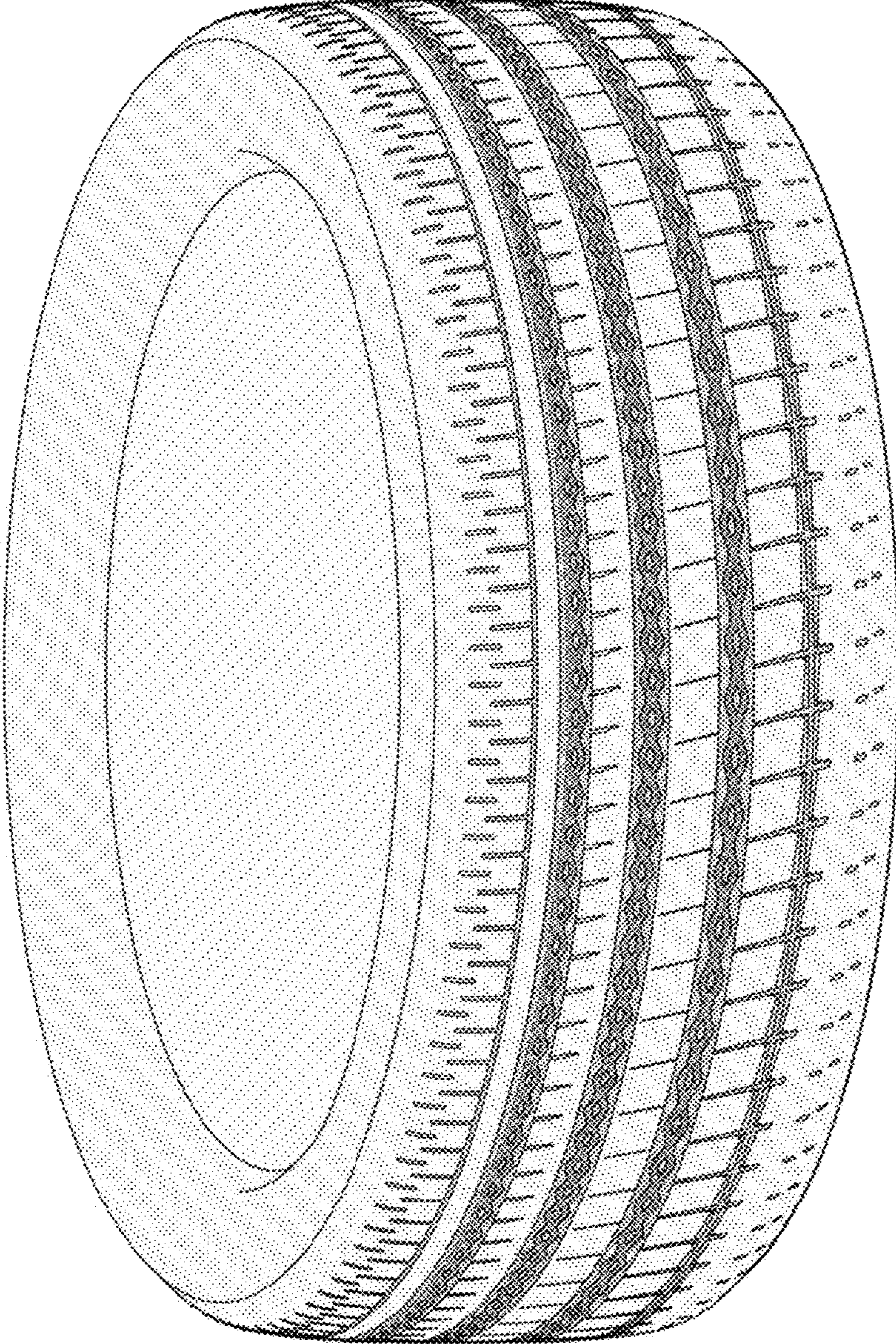
D597,020 S 7/2009 Oh  
 D631,820 S 2/2011 Kiwaki

**1 Claim, 10 Drawing Sheets**



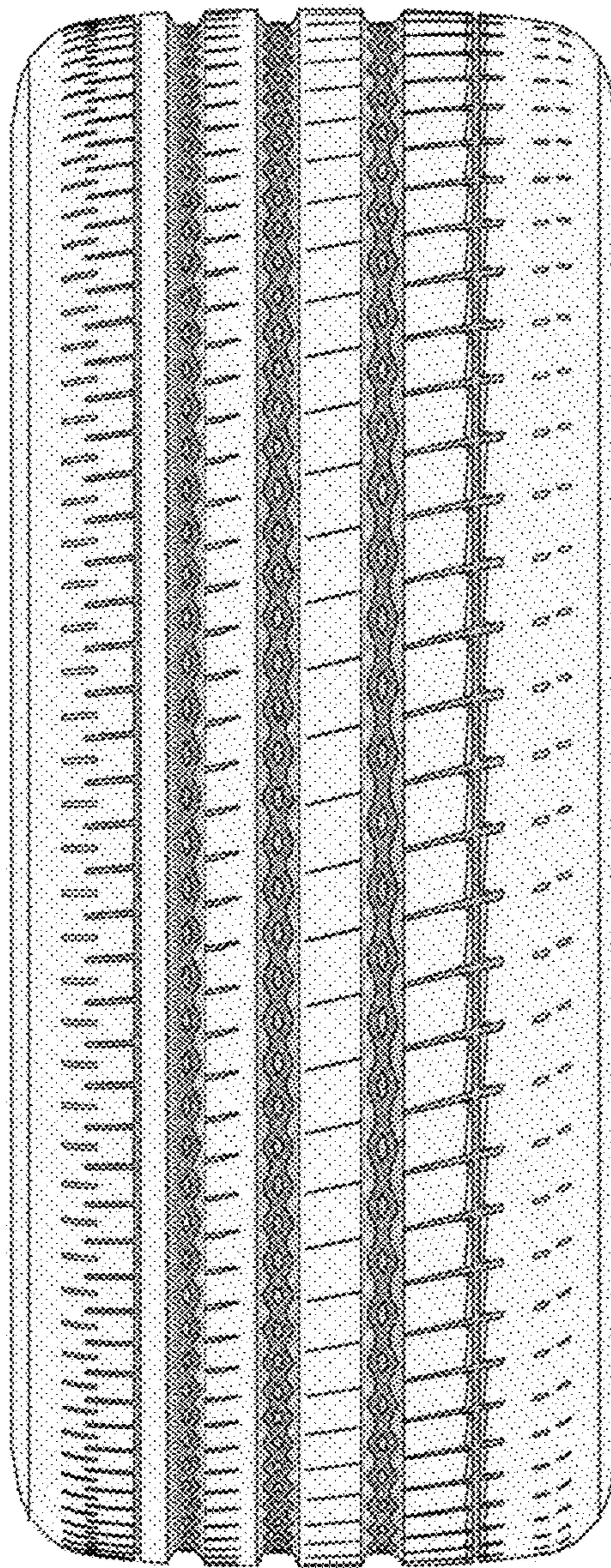


*FIG. 1*



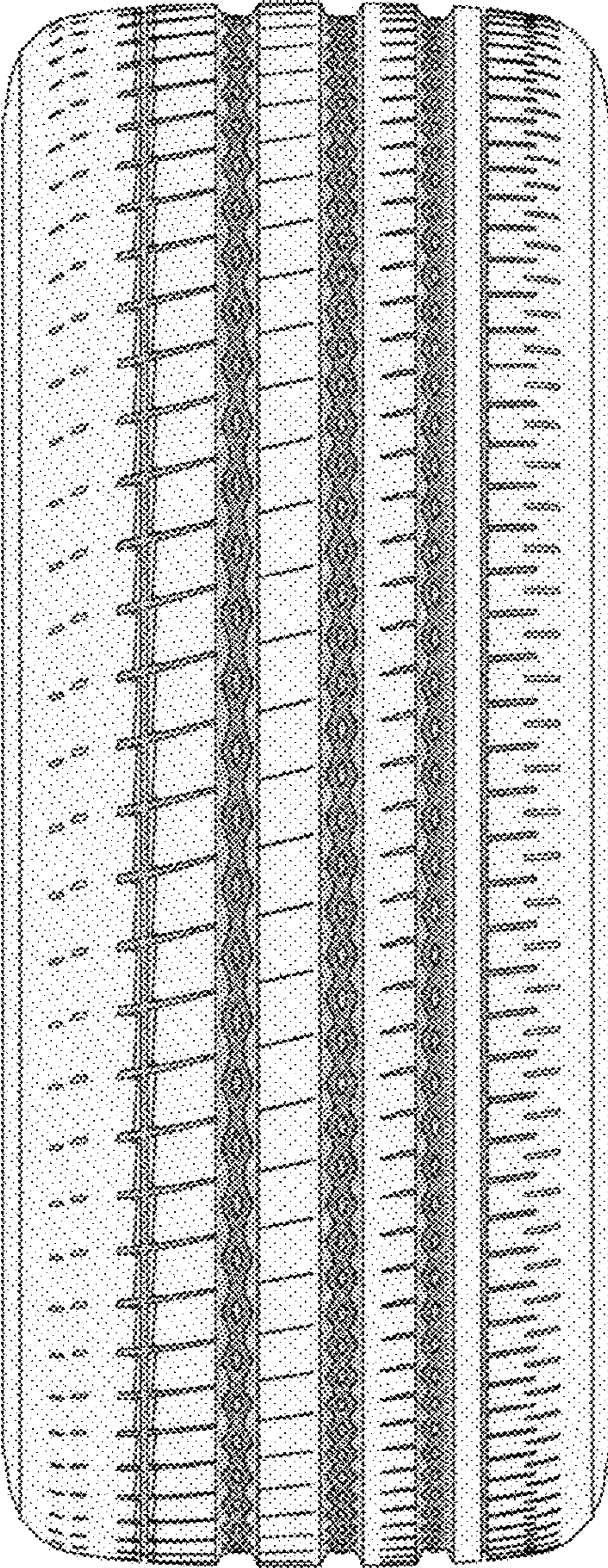


*FIG. 2*



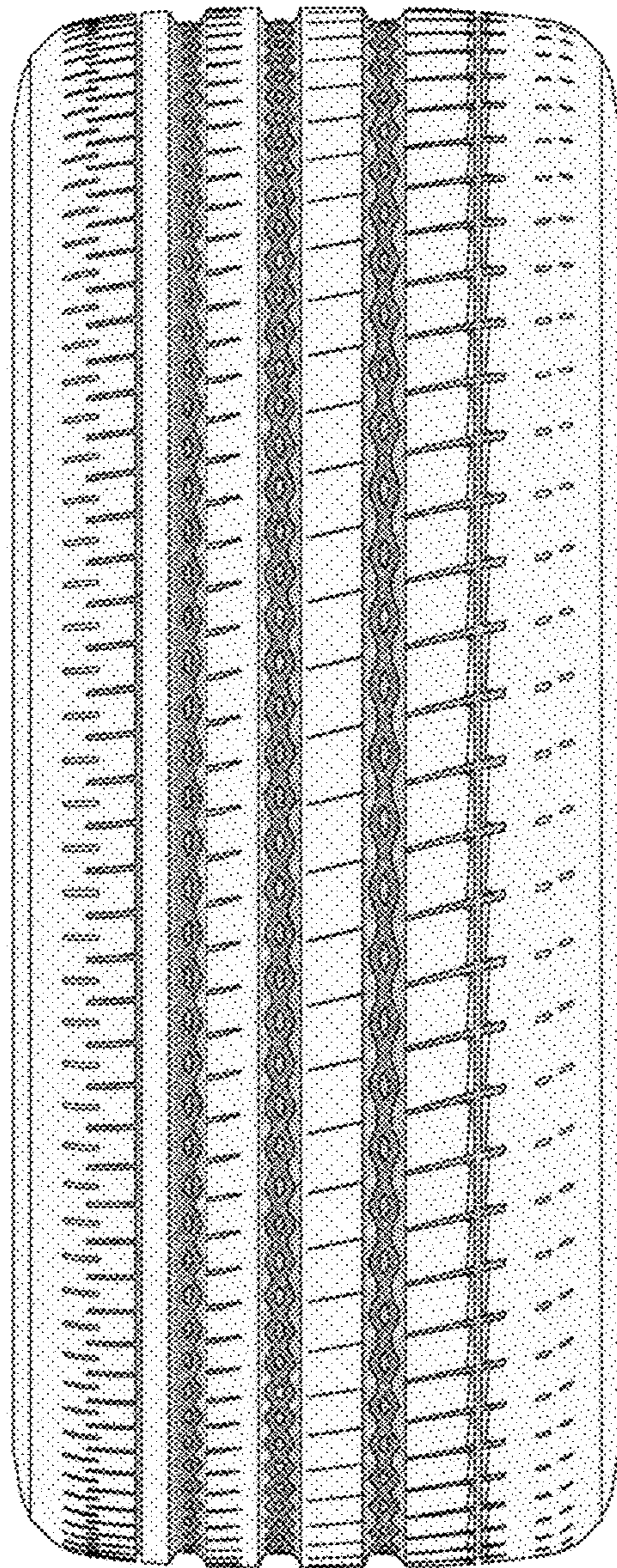


*FIG. 3*

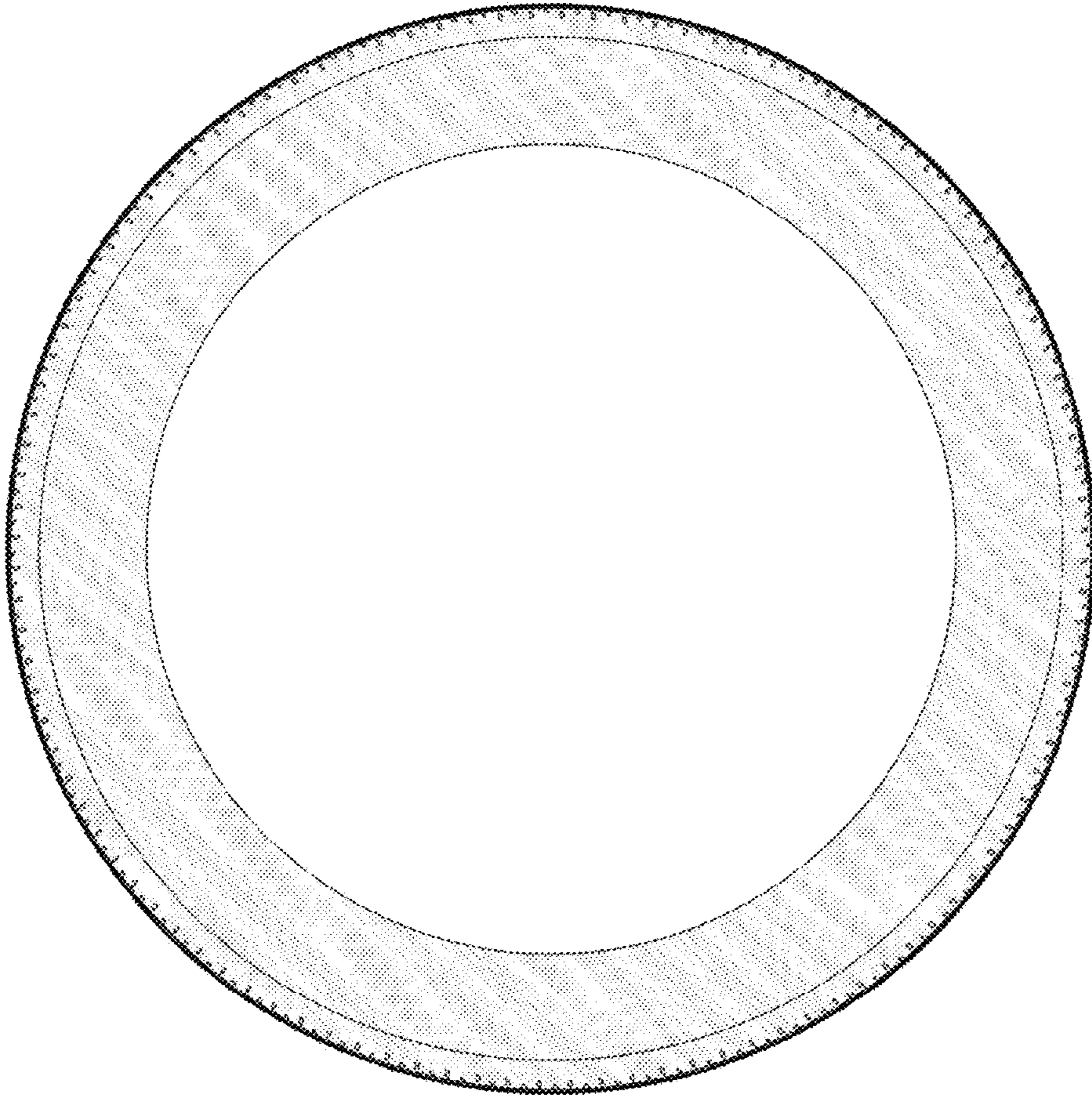




*FIG. 4*

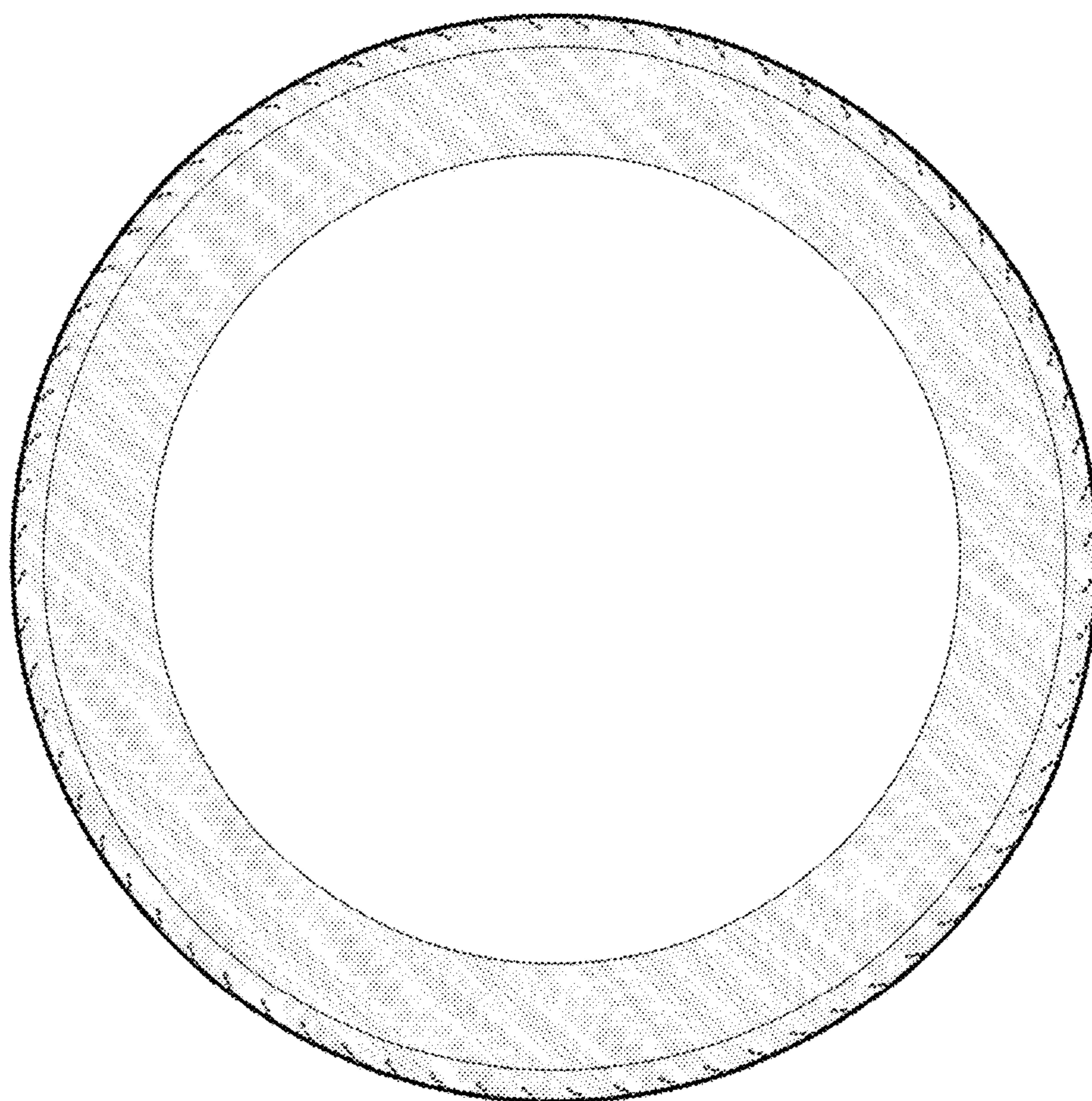


*FIG. 5*

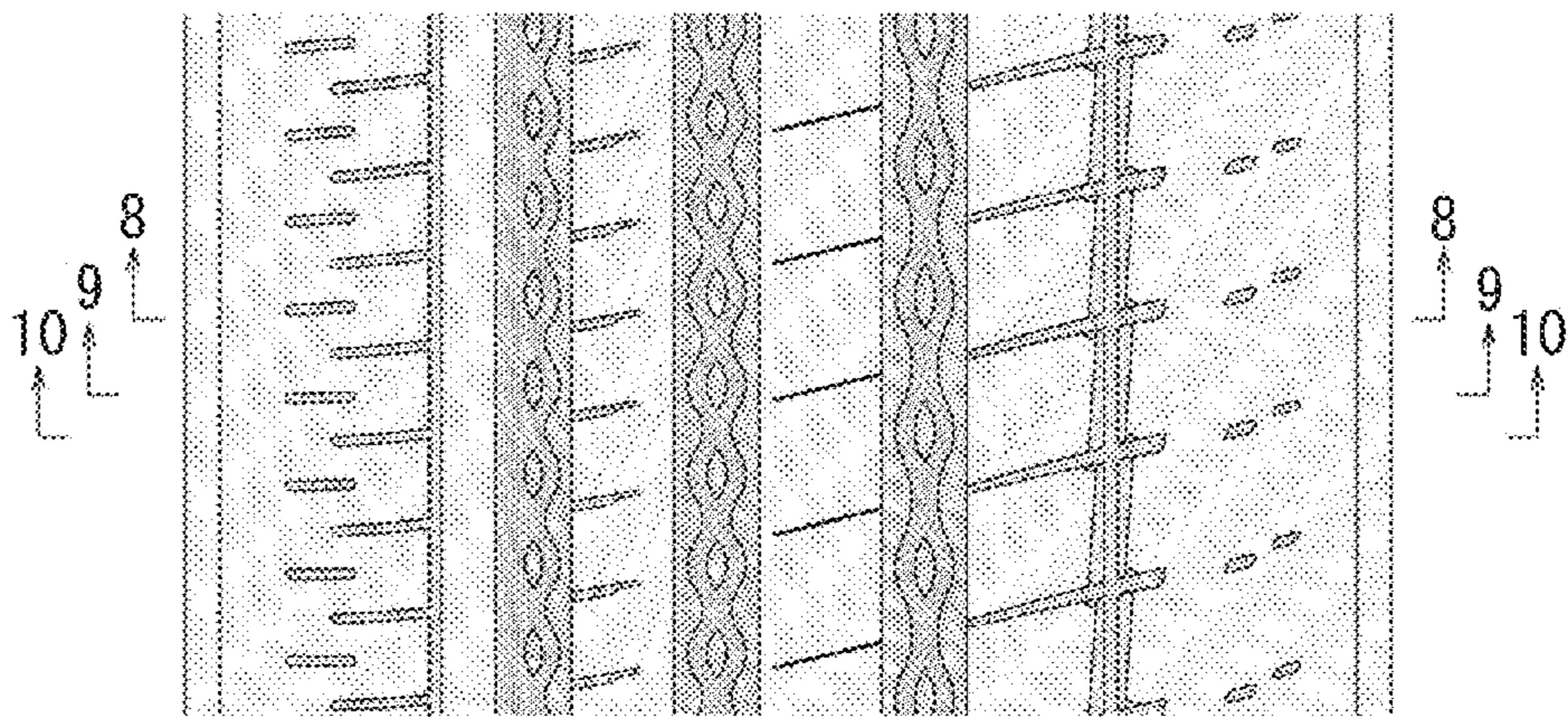




*FIG. 6*

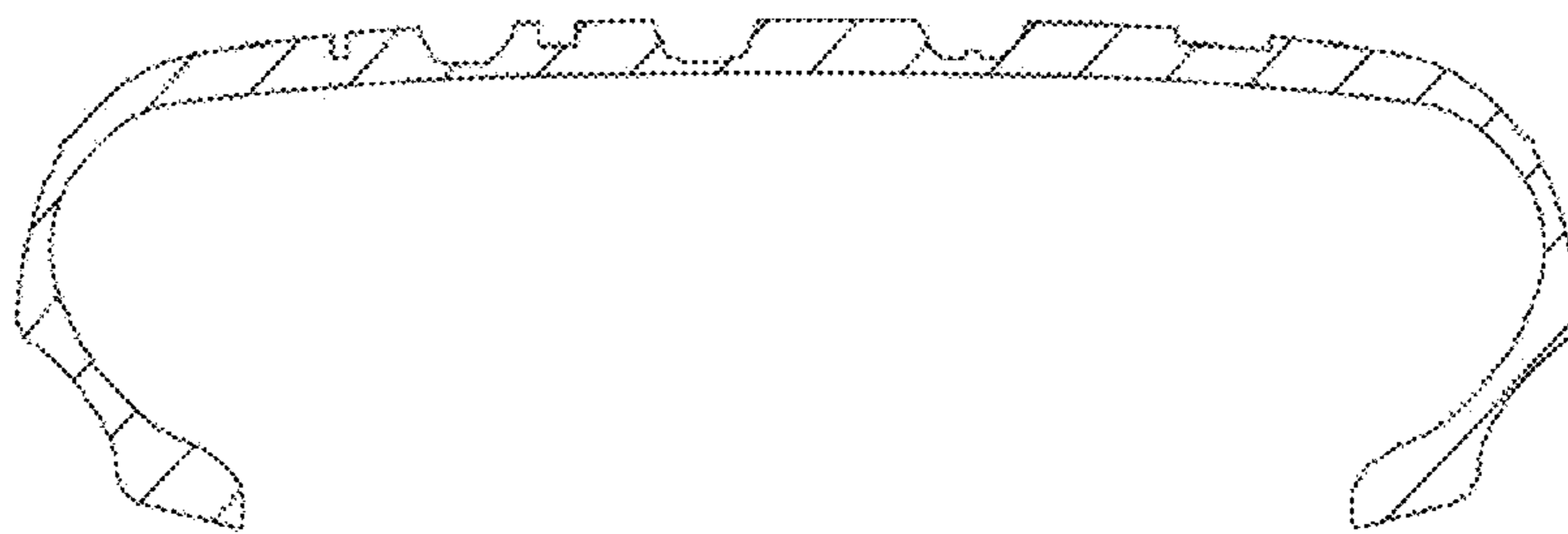


*FIG. 7*



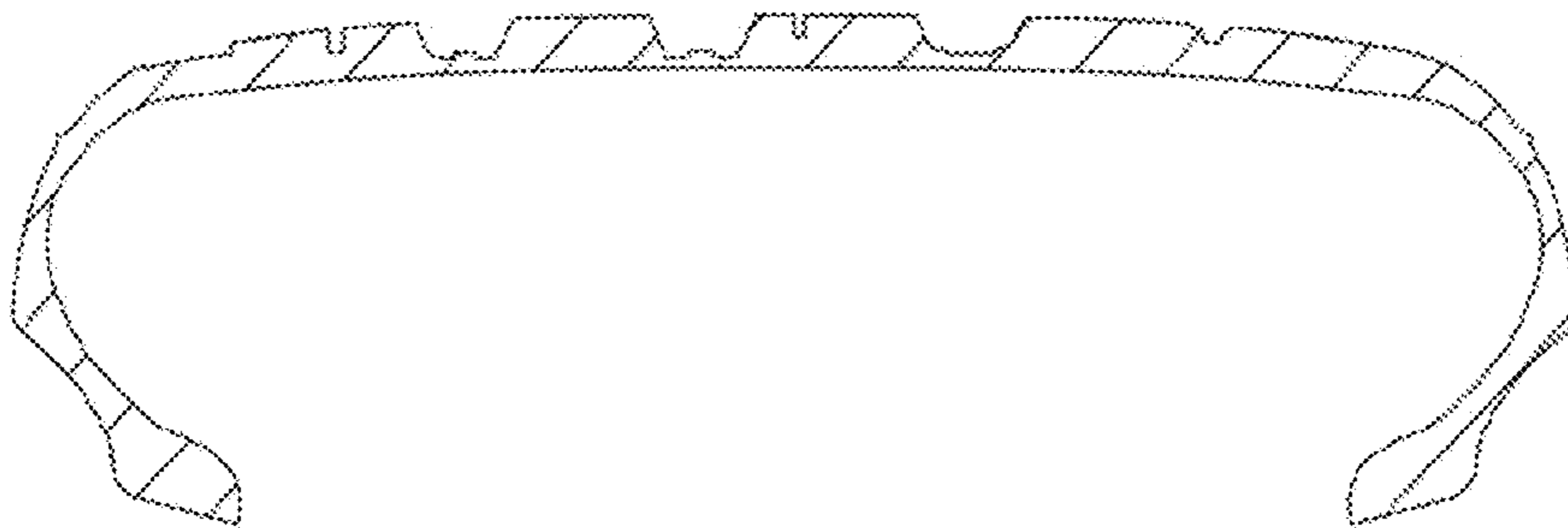


*FIG. 8*





*FIG. 9*





*FIG. 10*

