

US00D692821S

(12) **United States Design Patent**  
**Lyau et al.**

(10) **Patent No.:** **US D692,821 S**  
(45) **Date of Patent:** **\*\* Nov. 5, 2013**

- (54) **SIDE VIEW MIRROR COVER**
- (71) Applicants: **Bradford Lyau**, San Mateo, CA (US);  
**Gregory Webb**, Albuquerque, NM (US)
- (72) Inventors: **Bradford Lyau**, San Mateo, CA (US);  
**Gregory Webb**, Albuquerque, NM (US)
- (73) Assignee: **Globosocks, LLC**, Albuquerque, NM (US)

(\*\*) Term: **14 Years**

(21) Appl. No.: **29/446,172**

(22) Filed: **Feb. 21, 2013**

(51) **LOC (9) Cl.** ..... **12-16**

(52) **U.S. Cl.**  
USPC ..... **D12/401**

(58) **Field of Classification Search**  
USPC ..... D12/401-405, 188; 160/370.21,  
160/370.22, 370.23; 280/770; 150/158,  
150/165-167; 296/98, 100.01-100.18,  
296/136.01, 136.05, 136.06, 136.07, 95.1,  
296/77.1; 135/88.01, 95  
See application file for complete search history.

(56) **References Cited**

U.S. PATENT DOCUMENTS

- D550,457 S \* 9/2007 Schlegel ..... D3/300
- D631,818 S \* 2/2011 Seale ..... D12/401
- D633,029 S \* 2/2011 Stephanis et al. .... D12/401

- D633,430 S \* 3/2011 Stephanis et al. .... D12/401
- D636,325 S \* 4/2011 Marsh ..... D12/401
- D656,454 S \* 3/2012 Bost et al. .... D12/401
- D662,030 S \* 6/2012 Corley ..... D12/401
- D672,304 S \* 12/2012 Marsh ..... D12/401
- 2010/0326017 A1\* 12/2010 Kindel ..... 53/461

\* cited by examiner

*Primary Examiner* — Katrina A Betton

(74) *Attorney, Agent, or Firm* — Kameron W. Kramer

(57) **CLAIM**

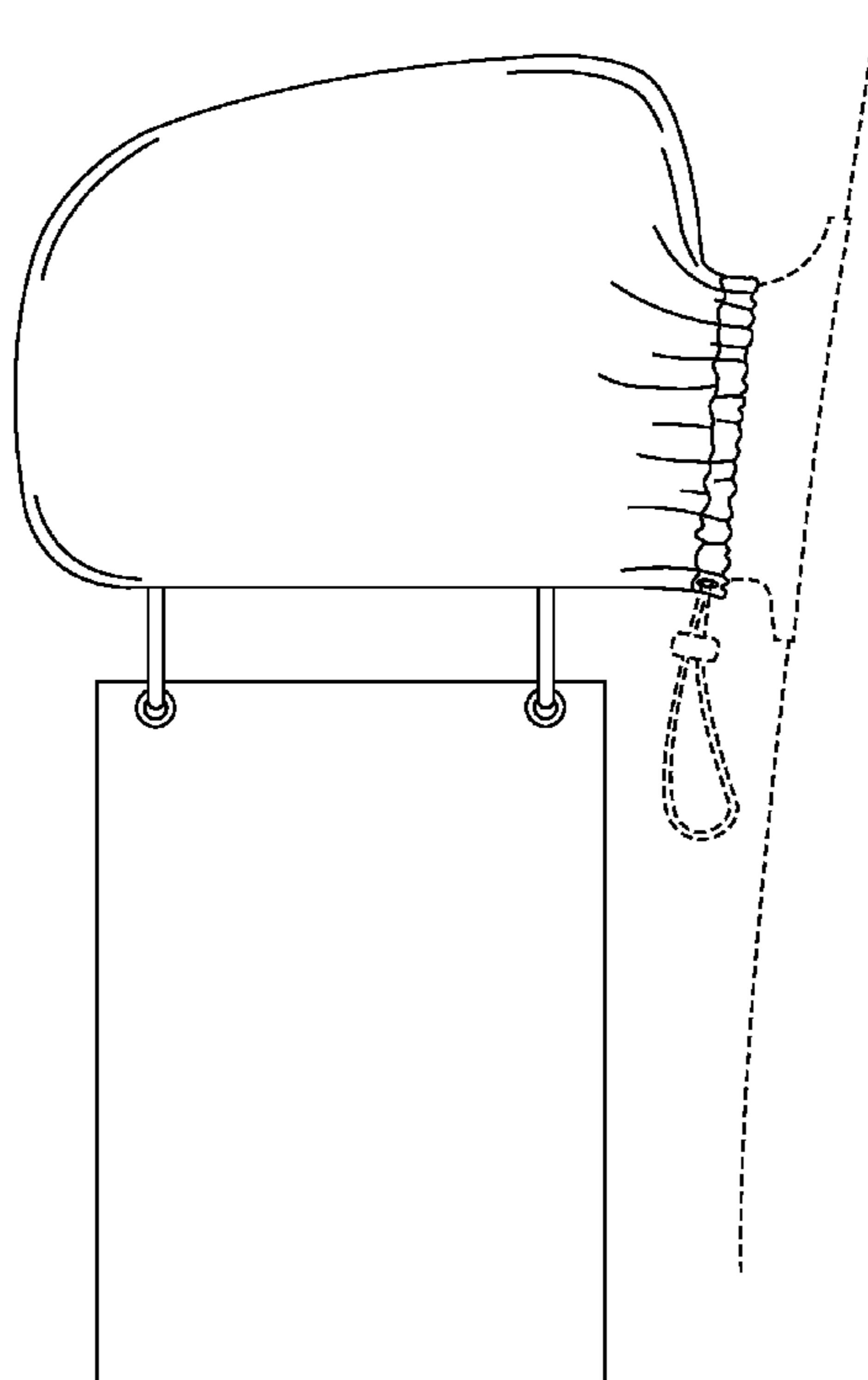
The ornamental design for a side view mirror cover, as shown and described.

**DESCRIPTION**

FIG. 1 is a front elevational view of the side view mirror cover;  
 FIG. 2 is a rear elevational view of the side view mirror cover;  
 FIG. 3 is a top plan view of the side view mirror cover;  
 FIG. 4 is a bottom plan view of the side view mirror cover;  
 FIG. 5 is an end view from the open end of the side view mirror cover;  
 FIG. 6 is an end view from the closed end of the side view mirror cover;  
 FIG. 7 is a perspective view of the side view mirror cover installed on a vehicle;  
 FIG. 8 is a front elevational view of the side view mirror cover; and,  
 FIG. 9 is a front elevational view of the side view mirror cover in a relaxed state.

The broken lines shown in FIGS. 1 through 9 are for illustrative purposes only and form no part of the claimed design.

**1 Claim, 9 Drawing Sheets**



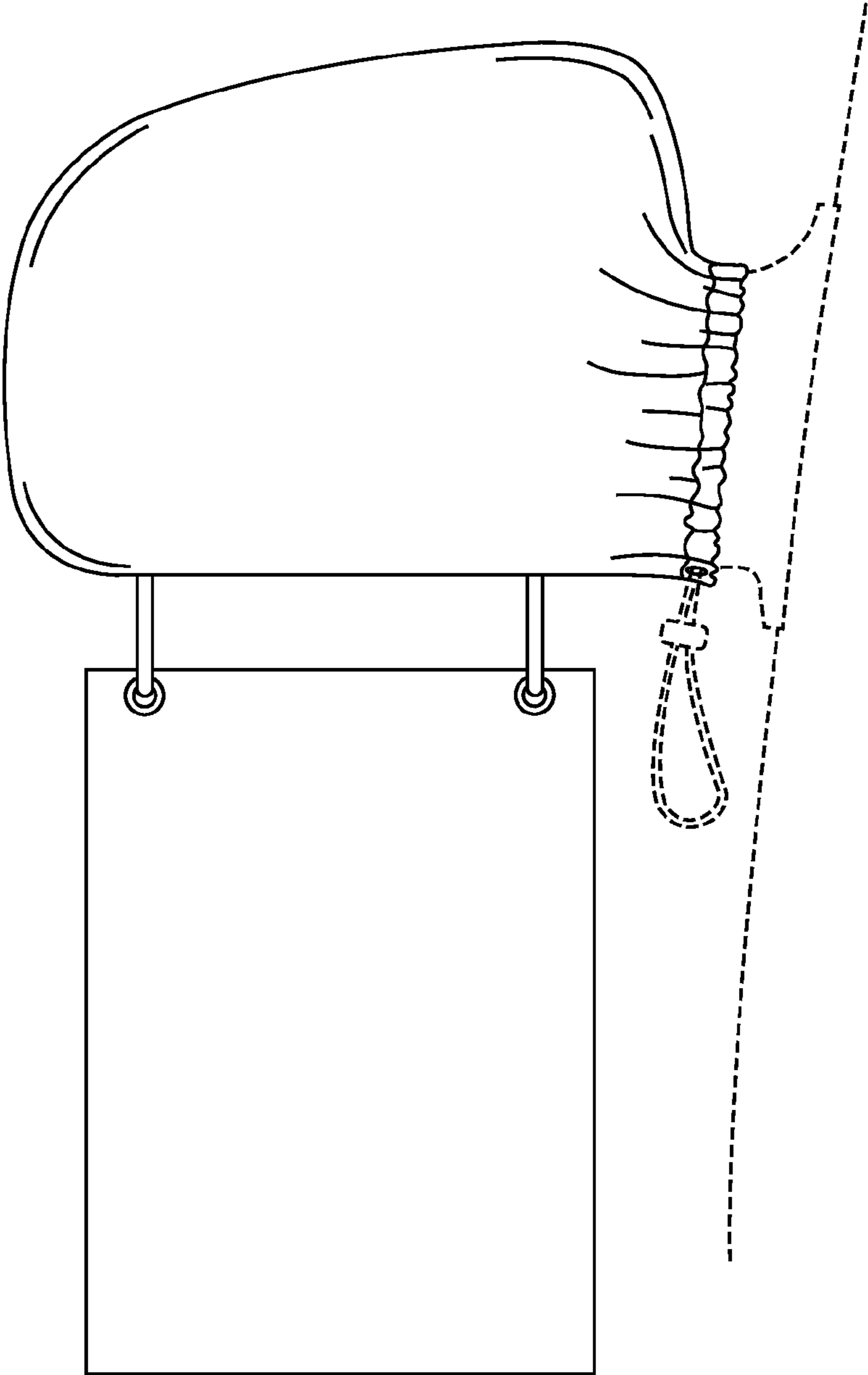


FIG. 1

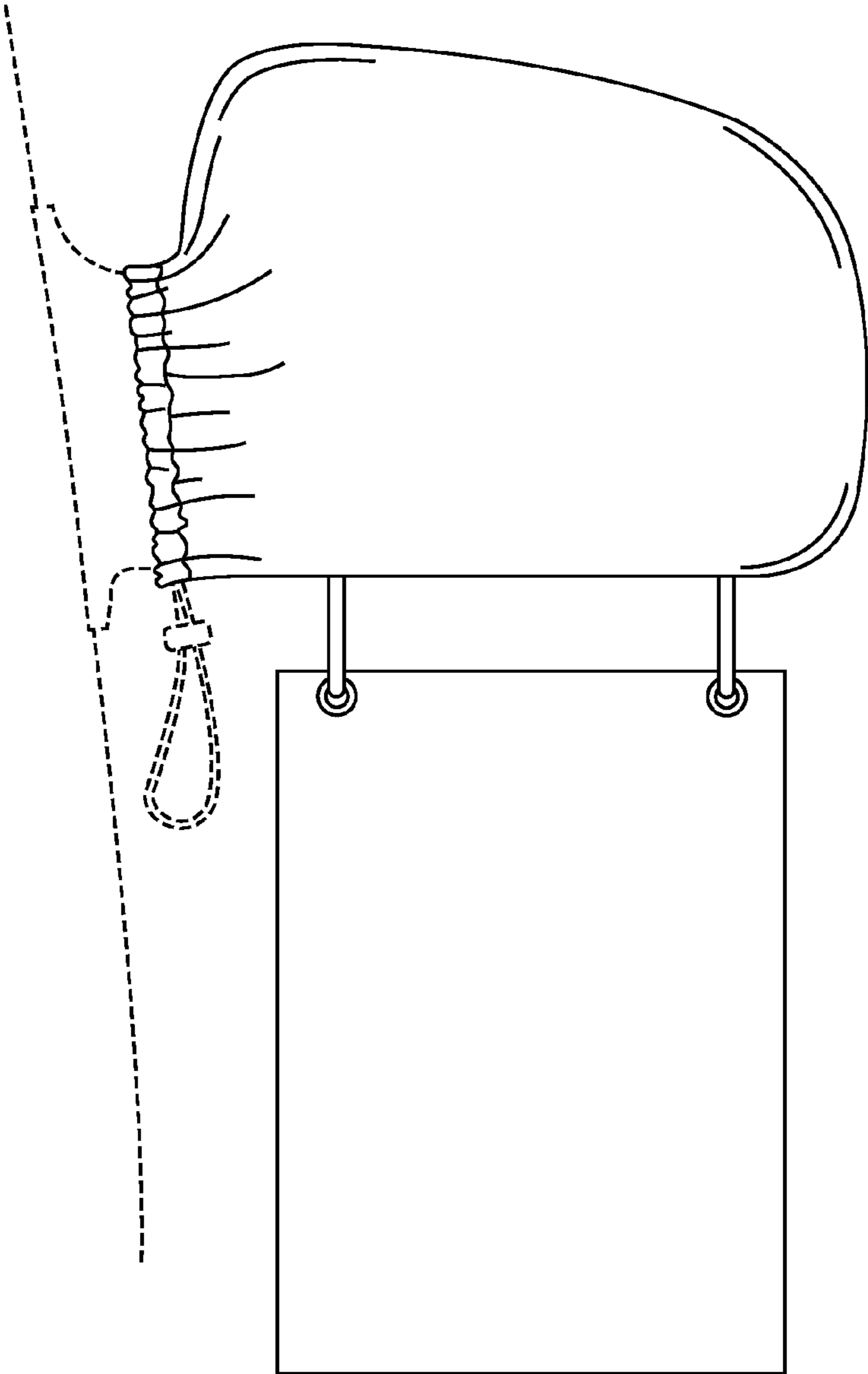


FIG. 2

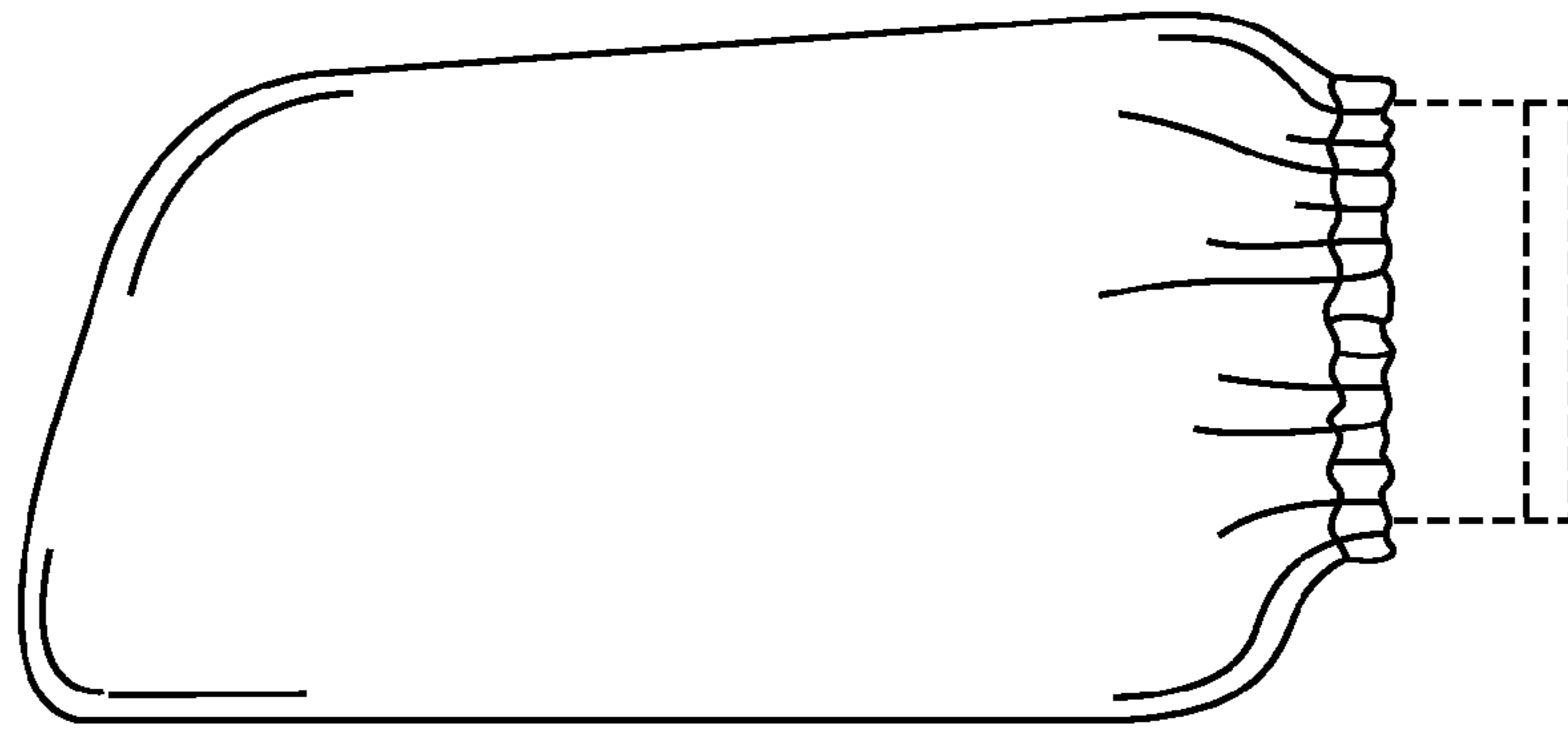


FIG. 3

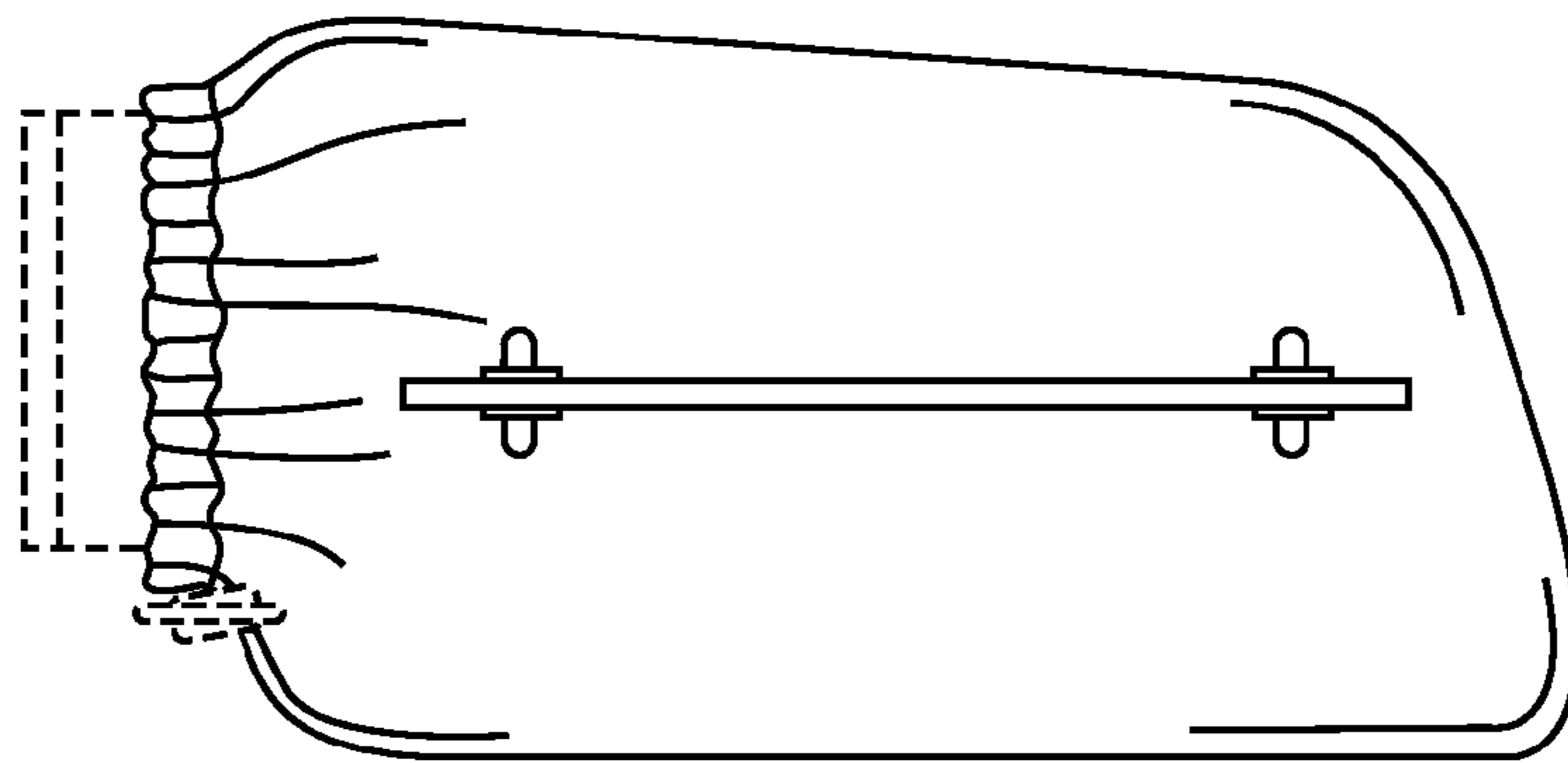


FIG. 4

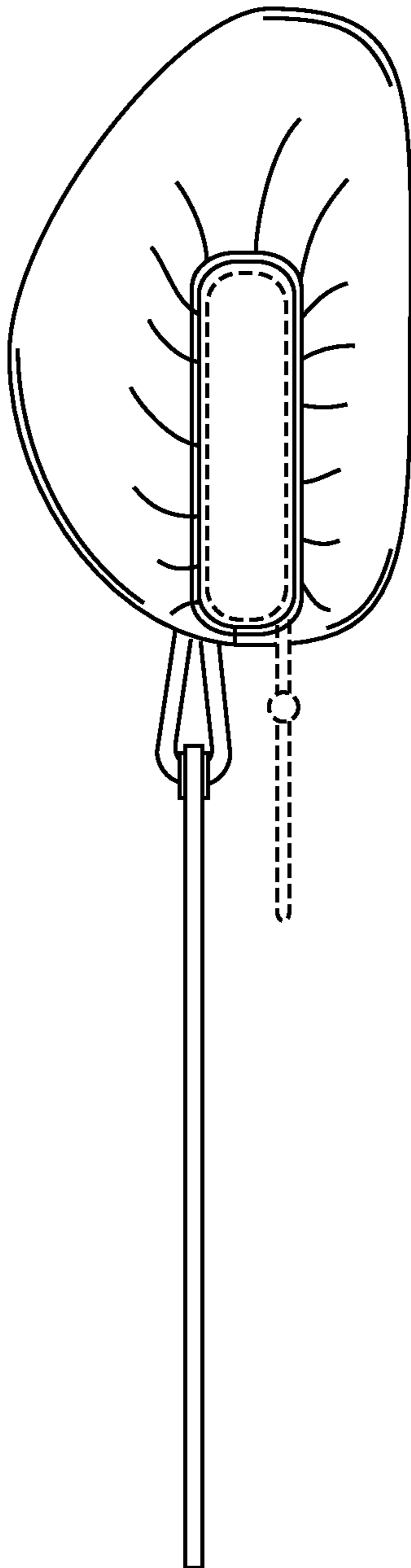


FIG. 5

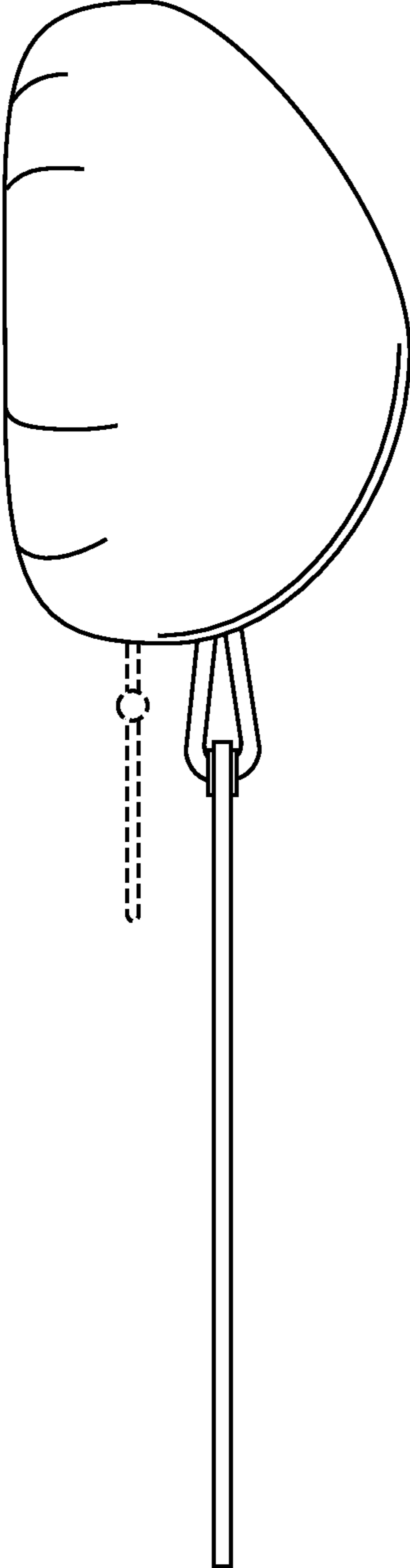


FIG. 6

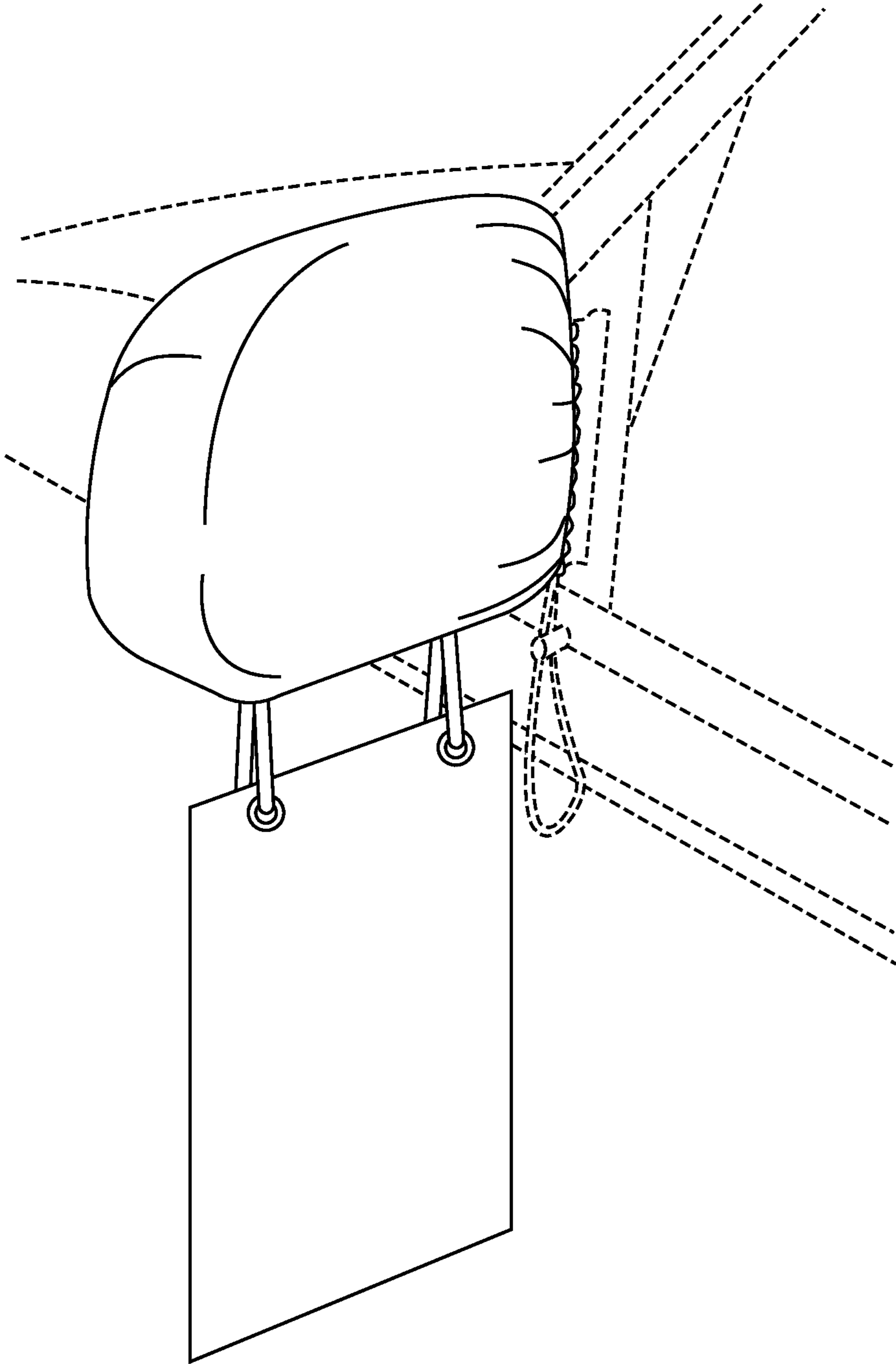


FIG. 7



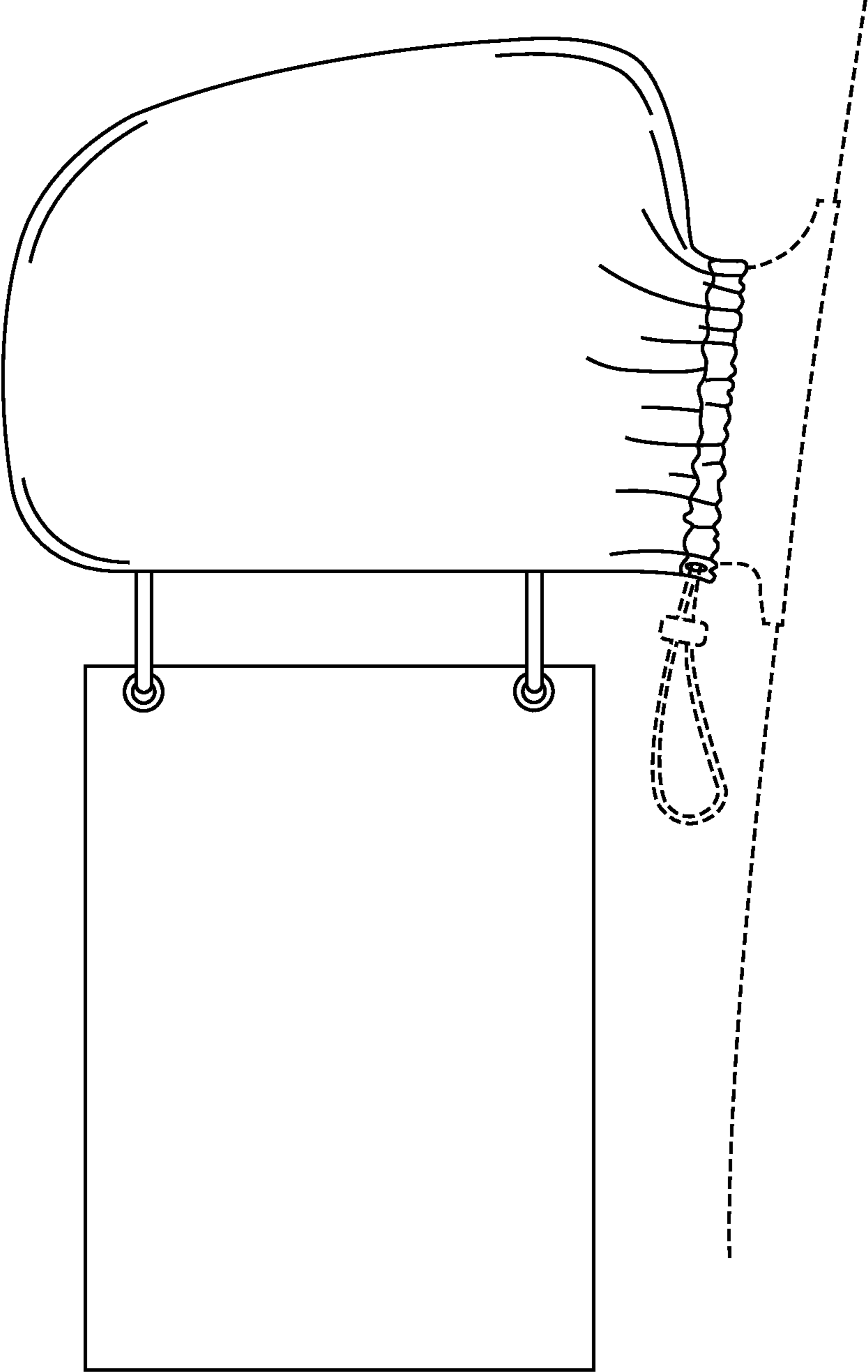


FIG. 8

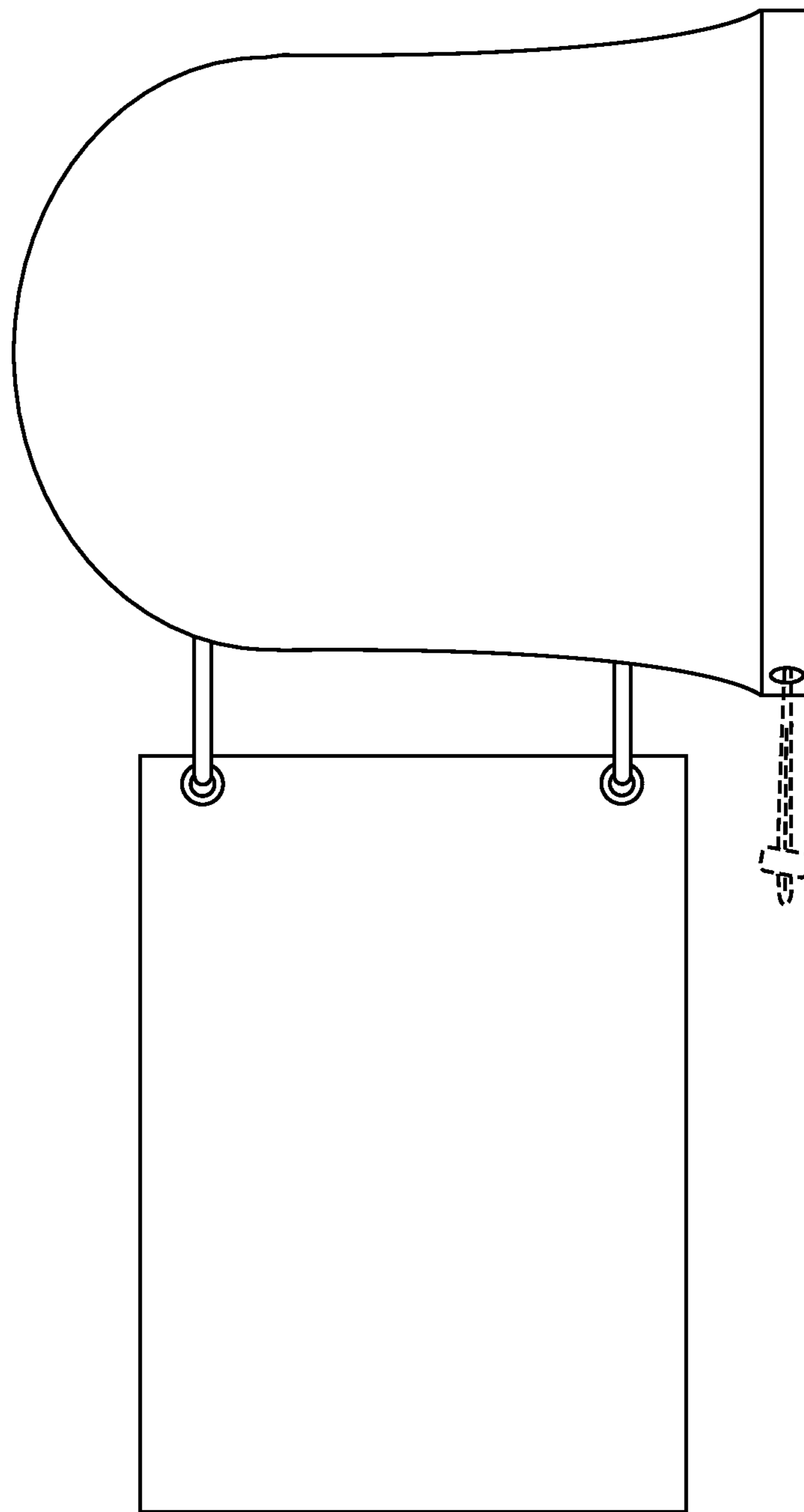


FIG. 9