



US00D692820S

(12) **United States Design Patent**
Saavedra

(10) **Patent No.:** **US D692,820 S**

(45) **Date of Patent:** **** *Nov. 5, 2013**

(54) **SIDE PANEL FOR AIRCRAFT CABIN**

(76) **Inventor:** **John A. Saavedra**, Irmo, SC (US)

(*) **Notice:** This patent is subject to a terminal disclaimer.

(**) **Term:** **14 Years**

(21) **Appl. No.:** **29/415,984**

(22) **Filed:** **Mar. 16, 2012**

(51) **LOC (9) Cl.** **12-07**

(52) **U.S. Cl.**
USPC **D12/345**

(58) **Field of Classification Search**
USPC D12/319, 345, 42, 43, 183, 190, 404,
D12/415; D6/356; D23/373; 2/115, 227;
244/117 R, 118.5, 118.6, 119, 120, 121,
244/122 R, 122 AH, 126, 129.1, 129.3,
244/129.4, 129.5, 133; 52/202, 203, 204.1;
D5/1, 3, 7, 60, 99

See application file for complete search history.

(56) **References Cited**

U.S. PATENT DOCUMENTS

D34,907 S *	8/1901	McVeety et al.	D23/373
1,259,234 A *	3/1918	Heath	2/115
4,068,320 A *	1/1978	Machacek et al.	2/227
4,739,955 A	4/1988	Aquino et al.		
D331,215 S	11/1992	Moreno et al.		
D376,343 S	12/1996	Alcocer		
D457,480 S	5/2002	Natsumre et al.		
D463,357 S	9/2002	Granzeier et al.		
6,736,352 B2	5/2004	Bladt et al.		
D512,365 S	12/2005	Bladt et al.		
D533,129 S	12/2006	Guard et al.		
7,438,263 B2	10/2008	Rassaian et al.		
D588,977 S	3/2009	Bock		
D589,871 S	4/2009	Bock		
D589,872 S	4/2009	Barrou		

D592,584 S	5/2009	Schuephaus et al.
D595,205 S	6/2009	Prioul
D600,617 S	9/2009	Scoley et al.
D600,618 S	9/2009	Scheuphaus et al.
D600,619 S	9/2009	Scheuphaus et al.
D600,620 S	9/2009	Scheuphaus et al.
D600,621 S	9/2009	Scheuphaus et al.
D600,622 S	9/2009	Scheuphaus et al.
D600,625 S	9/2009	Schuephaus et al.
D601,481 S	10/2009	Barrou

(Continued)

OTHER PUBLICATIONS

U.S. Appl. No. 29/415,991, filed Mar. 16, 2012, Saavedra, "Side Panel for Aircraft Cabin".

Primary Examiner — Caron D Veynar

Assistant Examiner — Martie K Holtje

(74) *Attorney, Agent, or Firm* — Dority & Manning, P.A.

(57) **CLAIM**

The ornamental design for a side panel for an aircraft cabin, as shown and described.

DESCRIPTION

FIG. 1 is a front view of a side panel for aircraft cabin according to a first embodiment of my new design;

FIG. 2 is a perspective view of FIG. 1;

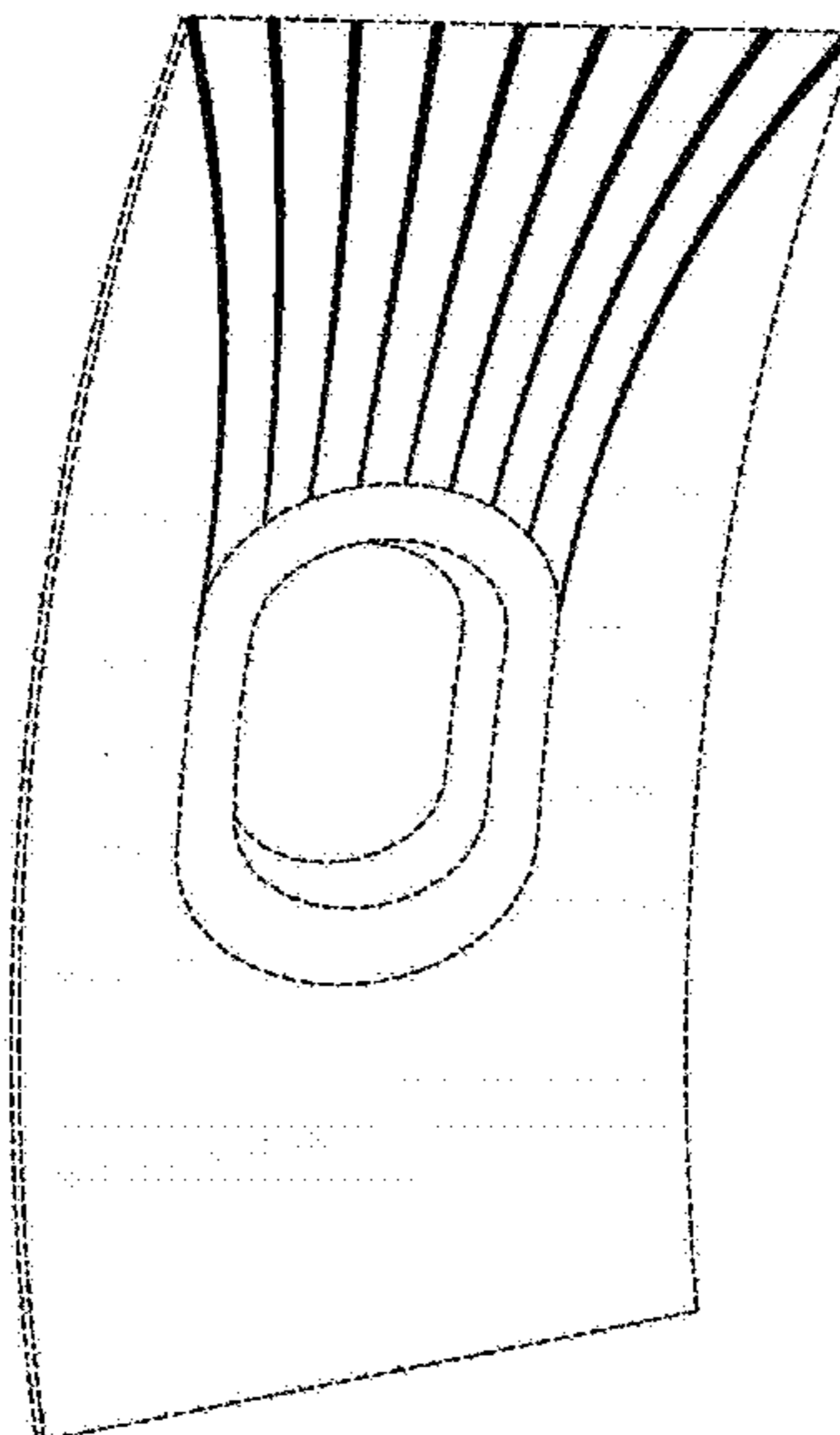
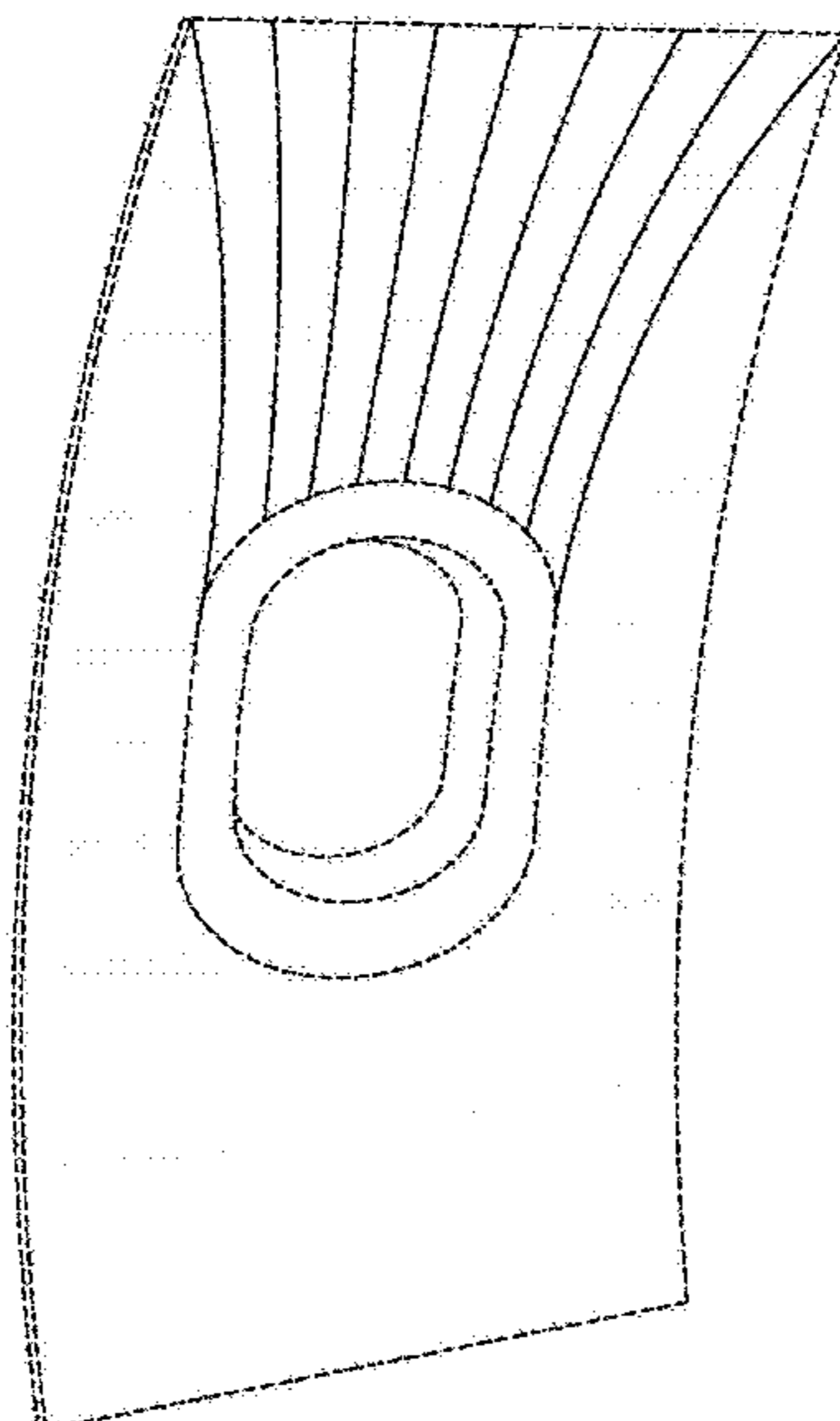
FIG. 3 is a front view of a side panel for aircraft cabin according to a second embodiment of my new design; and,

FIG. 4 is a perspective view of FIG. 3.

The scope of the claimed side panel for aircraft cabin is directed to the radiating lines on the surface of the side panel for aircraft cabin and is limited solely to the radiating lines without claiming the spaces in between the lines.

The broken lines in the drawing have been provided for the purpose of illustrating portions of the side panel for aircraft cabin that form no part of the claimed design.

1 Claim, 4 Drawing Sheets



(56)

References Cited

U.S. PATENT DOCUMENTS

D601,482 S 10/2009 Barrou
D601,483 S 10/2009 Barrou
D608,269 S 1/2010 Aruga et al.
D608,721 S 1/2010 Wilczynski et al.
D609,160 S 2/2010 Wilczynski et al.
D610,522 S 2/2010 Bladt et al.

D611,888 S 3/2010 Bladt et al.
D617,254 S 6/2010 Guard et al.
D631,421 S 1/2011 Kosoniscs et al.
7,909,289 B2 3/2011 Perez-Sanchez
D650,154 S 12/2011 Saavedra
D654,008 S 2/2012 Stevens
D672,703 S 12/2012 Saavedra
2003/0080252 A1 5/2003 Jones

* cited by examiner

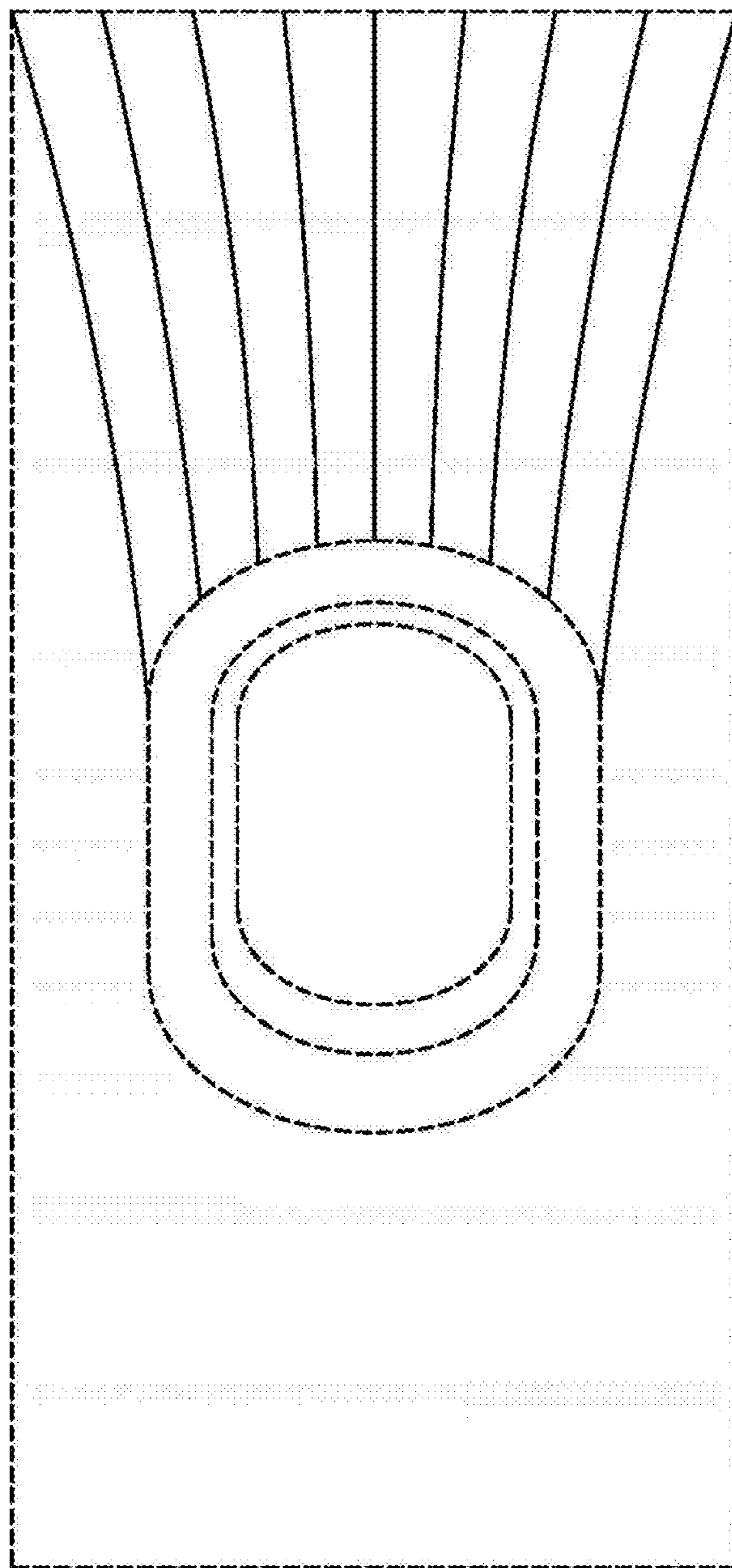


FIG. 1

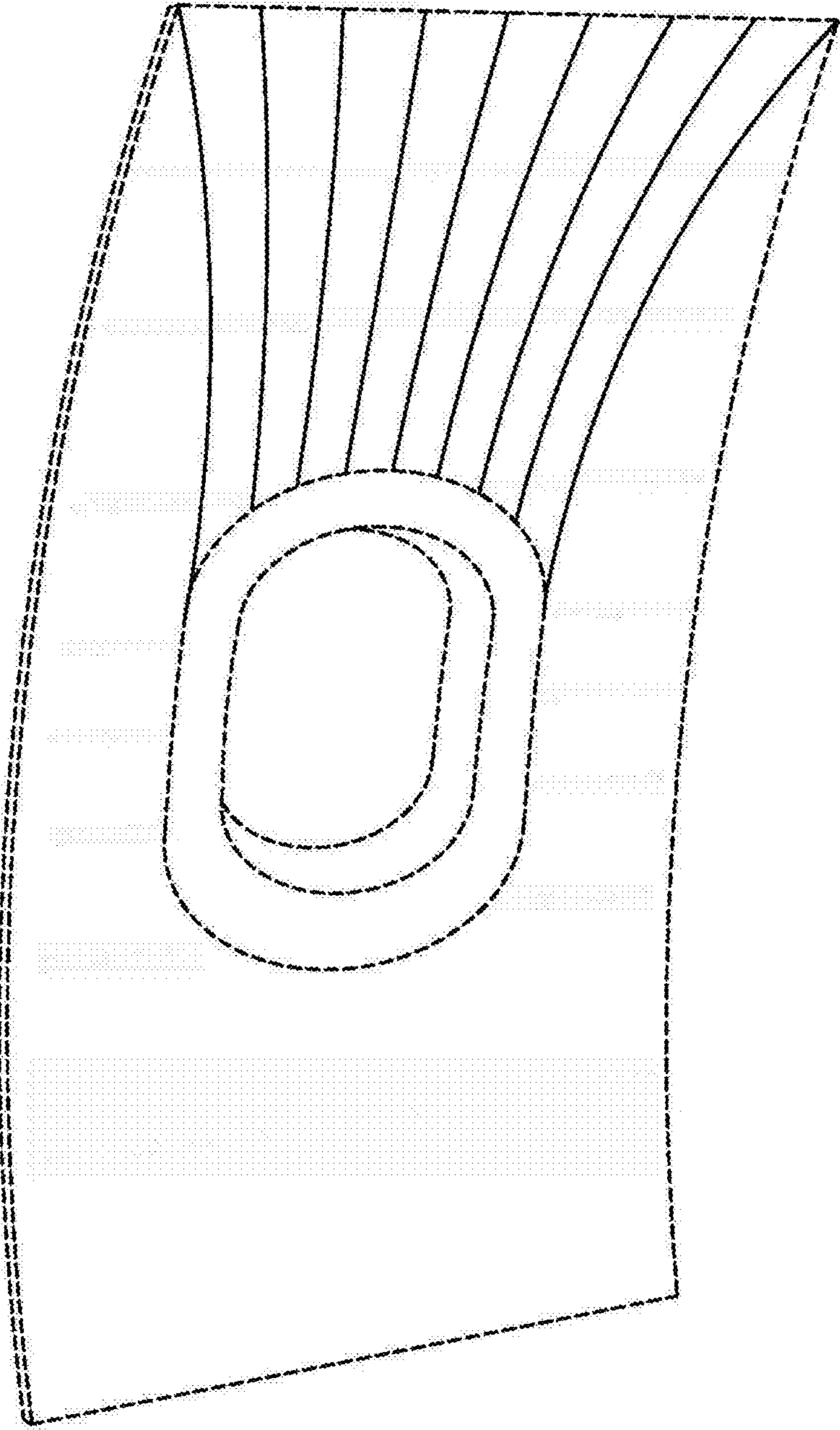


FIG.2

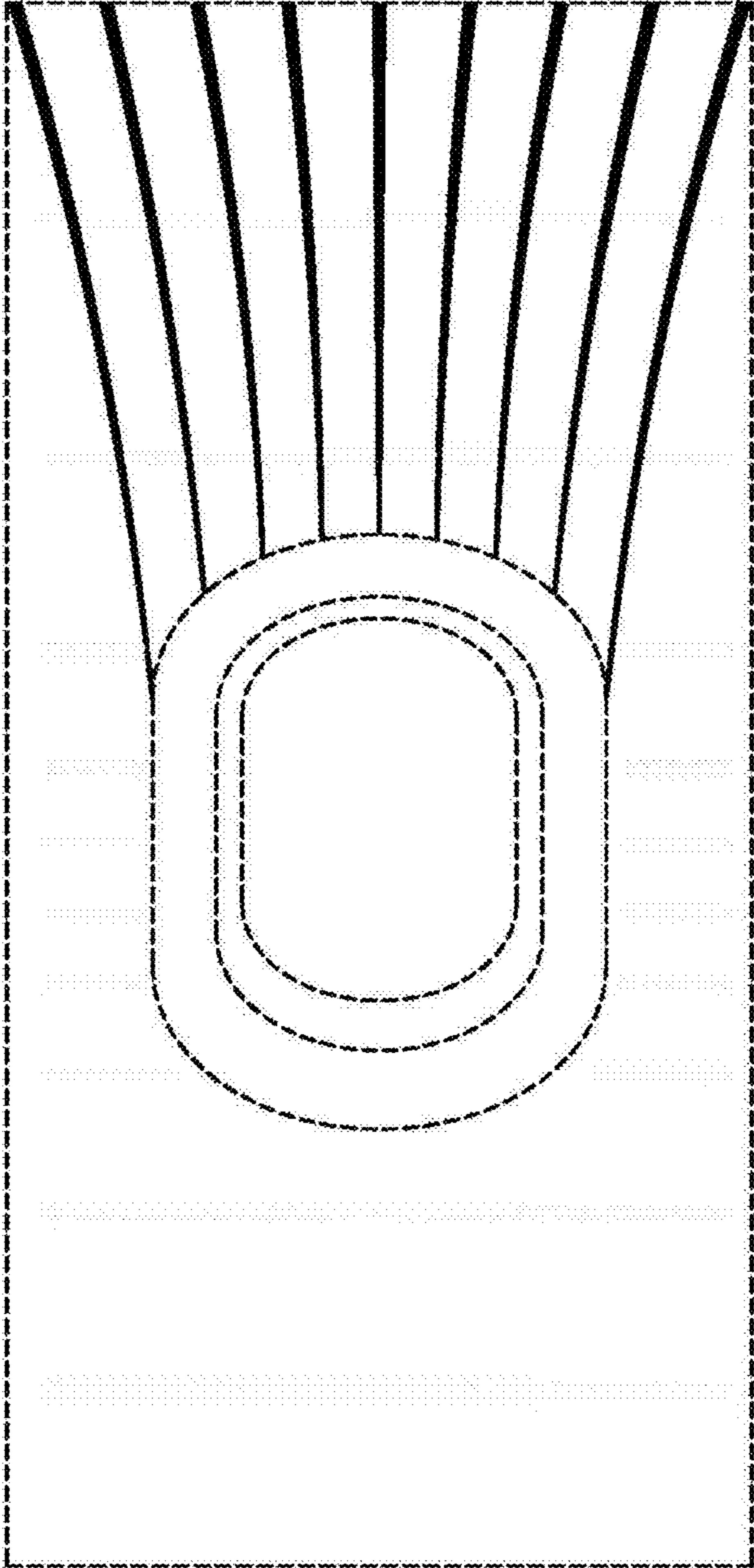


FIG.3

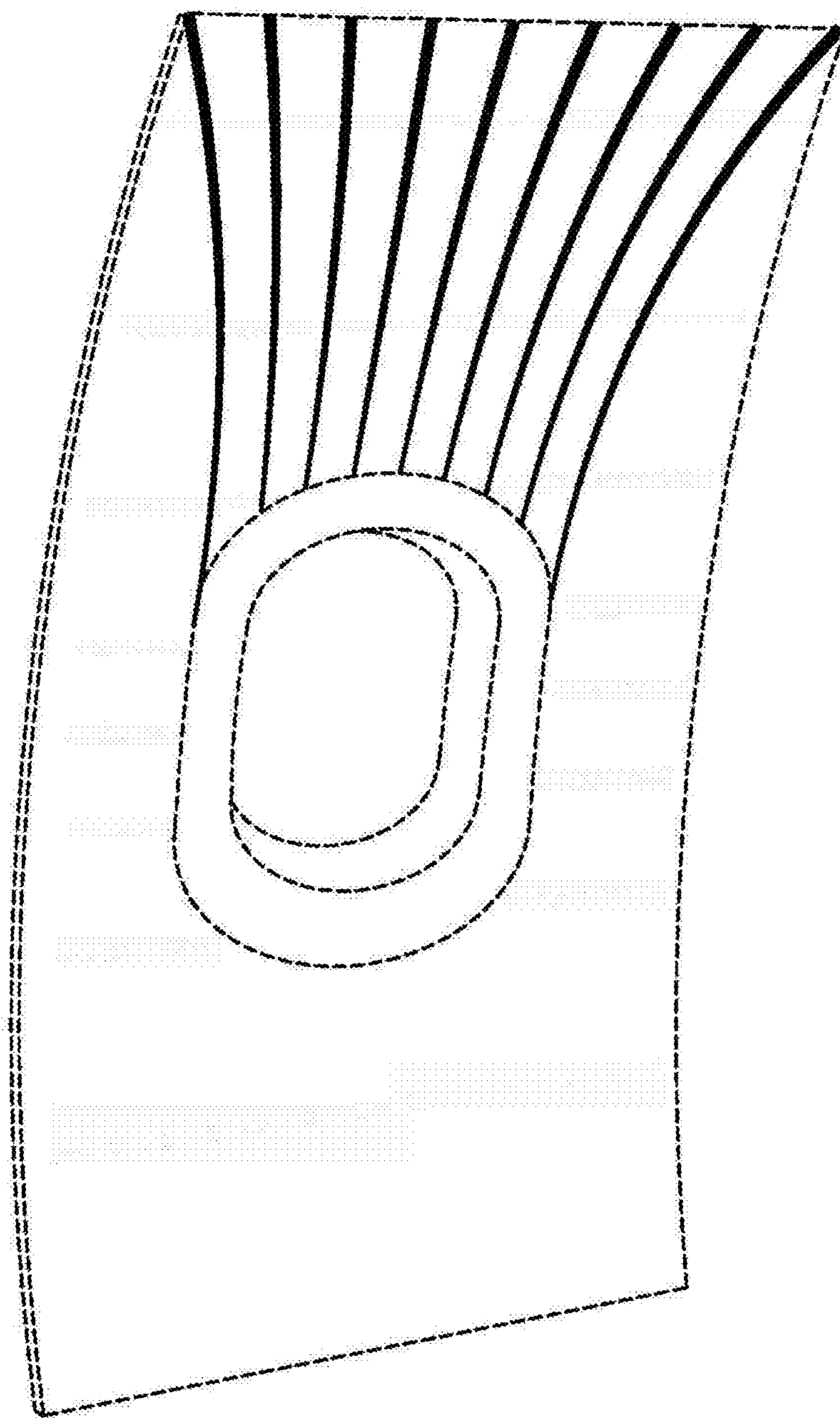


FIG. 4