

US00D692819S

(12) **United States Design Patent**  
**Tolentino et al.**

(10) **Patent No.:** **US D692,819 S**  
(45) **Date of Patent:** **\*\* Nov. 5, 2013**

(54) **WINDSHIELD WIPER COVER**

(75) Inventors: **Vambi Tolentino**, Coconut Creek, FL  
(US); **Robert Peers**, Boca Raton, FL  
(US)

(73) Assignee: **Pylon Manufacturing Corp.**, Deerfield  
Beach, FL (US)

(\*\*) Term: **14 Years**

(21) Appl. No.: **29/429,262**

(22) Filed: **Aug. 8, 2012**

**Related U.S. Application Data**

(62) Division of application No. 29/375,477, filed on Sep.  
22, 2010.

(51) **LOC (9) Cl.** ..... **12-06**

(52) **U.S. Cl.**  
USPC ..... **D12/220**

(58) **Field of Classification Search**  
USPC ..... D12/219–220; 15/246, 247, 250.001,  
15/250.4, 250.361, 250.19, 250.48,  
15/250.03, 250.31–250.33, 250.351,  
15/250.38, 250.201, 250.451, 250.458,  
15/250.04, 250.07, 250.44

See application file for complete search history.

(56) **References Cited**

**U.S. PATENT DOCUMENTS**

D596,102 S \* 7/2009 Kim ..... D12/219  
D601,077 S \* 9/2009 Kim ..... D12/219  
D615,918 S \* 5/2010 Kim ..... D12/219

D637,132 S \* 5/2011 Kim ..... D12/219  
2005/0039292 A1 \* 2/2005 Boland ..... 15/250.32  
2009/0013492 A1 \* 1/2009 Henin ..... 15/250.452  
2009/0064440 A1 \* 3/2009 Boland ..... 15/250.48

\* cited by examiner

*Primary Examiner* — Katrina A Betton

(74) *Attorney, Agent, or Firm* — Feldman Gale, P.A.; Javier  
Sobrado; A. Robert Weaver

(57) **CLAIM**

The ornamental design for a windshield wiper cover, as  
shown and described.

**DESCRIPTION**

FIG. 1 is a top perspective view of the windshield wiper cover.

FIG. 2 is a front view of the windshield wiper cover.

FIG. 3 is a rear view of the windshield wiper cover.

FIG. 4 is a close-up front view of the windshield wiper cover.

This view illustrates the central portion of the windshield  
wiper cover.

FIG. 5 is a top view of the windshield wiper cover.

FIG. 6 is a close-up top view of the windshield wiper cover.

This view illustrates the central portion of the windshield  
wiper cover.

FIG. 7 is a bottom view of the windshield wiper cover.

FIG. 8 is a close-up bottom view of the windshield wiper  
cover. This view illustrates the central portion of the wind-  
shield wiper cover.

FIG. 9 is a bottom perspective view of the windshield wiper  
cover; and,

FIG. 10 is a bottom perspective view of the end portion of the  
windshield wiper cover.

**1 Claim, 9 Drawing Sheets**



Figure 1

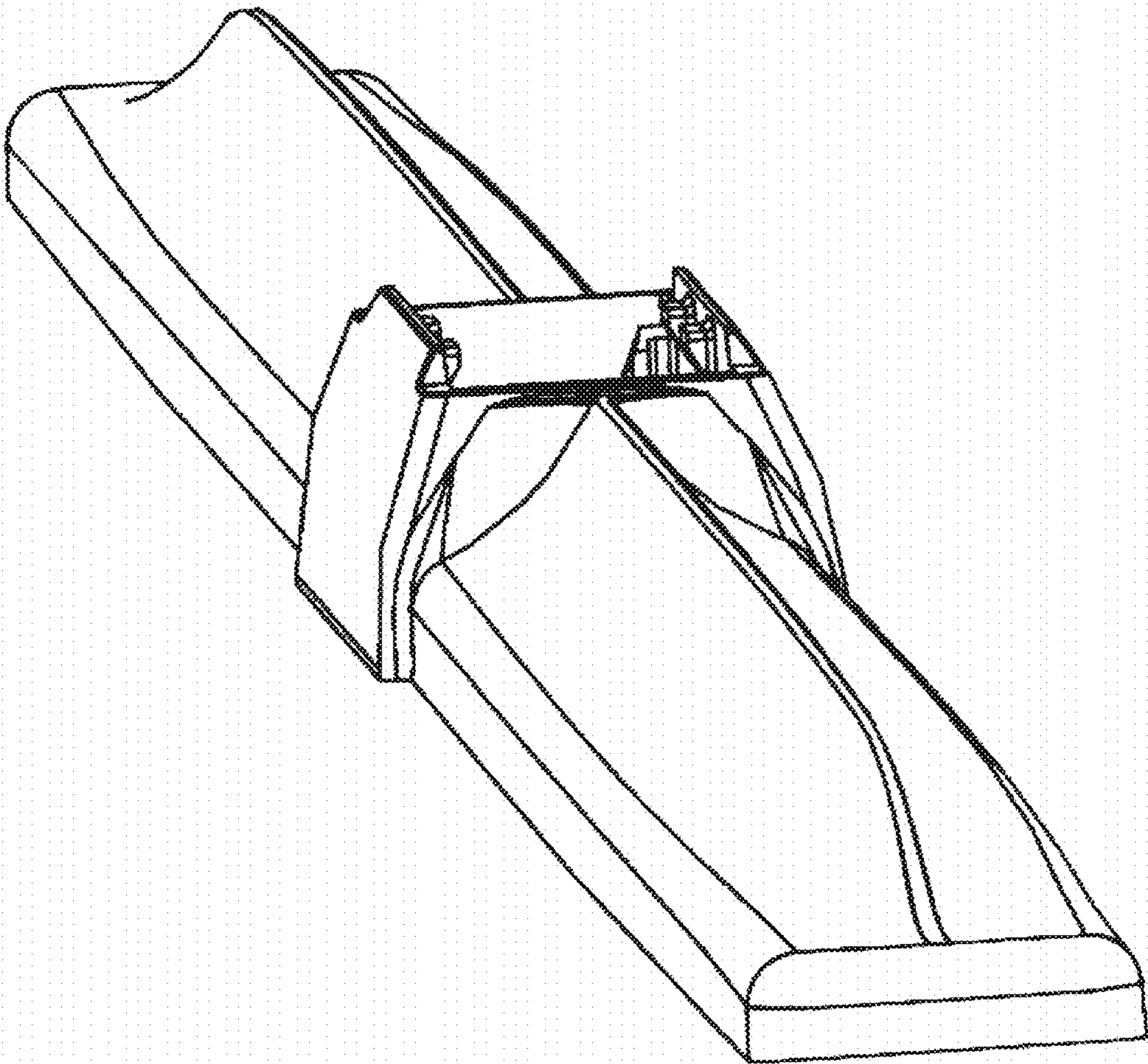


Figure 2

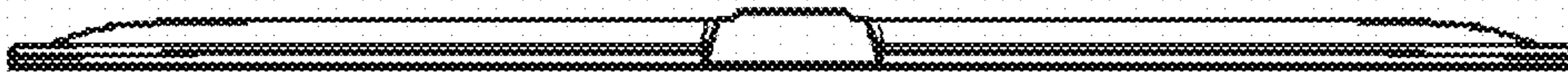


Figure 3

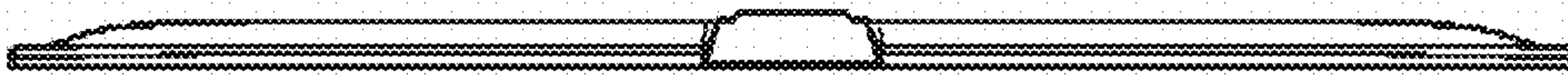


Figure 4

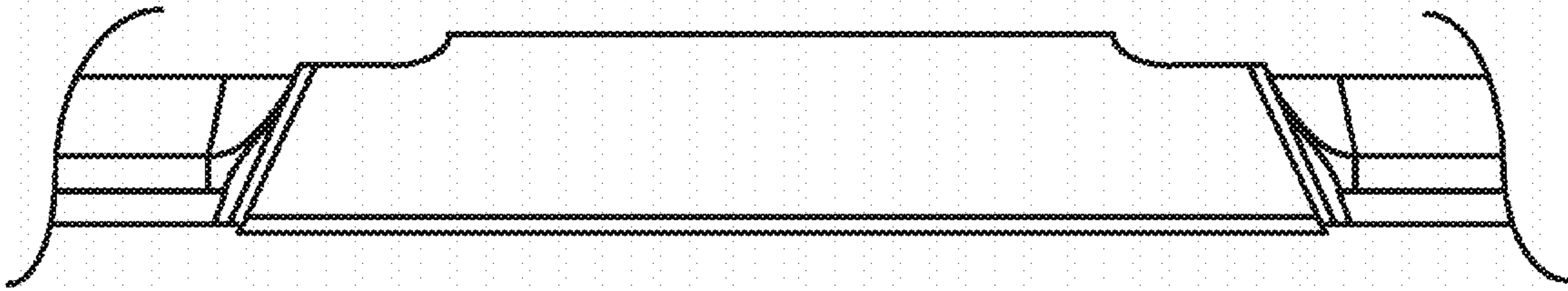


Figure 5





Figure 6

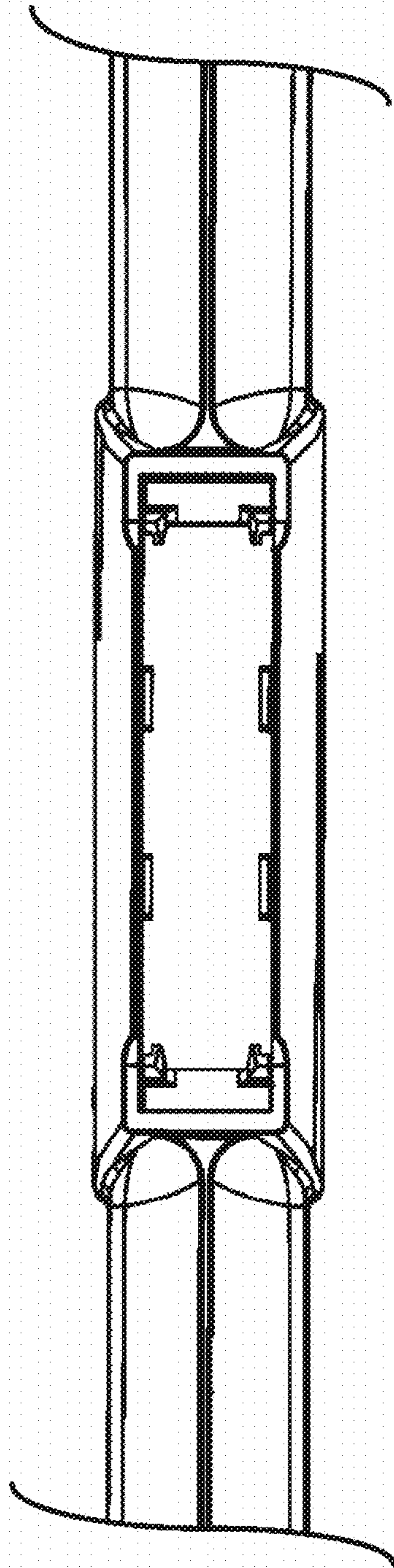


Figure 7



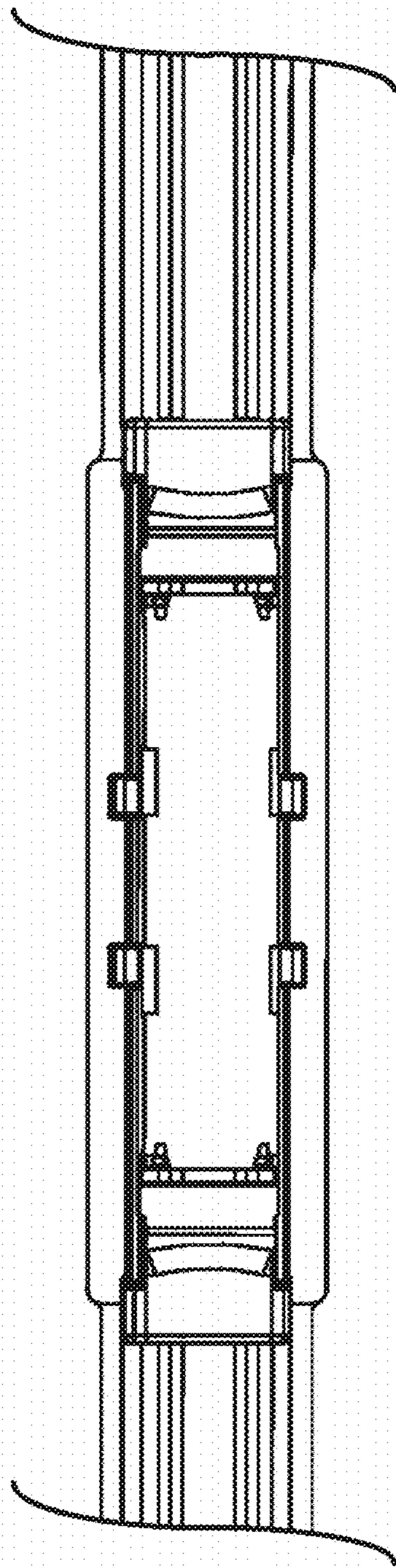


Figure 8



Figure 9

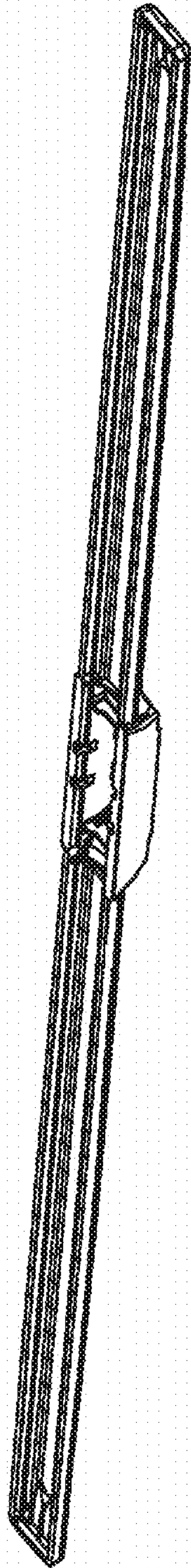


Figure 10

