

US00D692818S

(12) **United States Design Patent**
Tolentino et al.

(10) **Patent No.:** **US D692,818 S**

(45) **Date of Patent:** **** Nov. 5, 2013**

(54) **WIPER BLADE WITH A COVER**

(75) Inventors: **Vambi Raymundo Tolentino**, Coconut Creek, FL (US); **Robert Peter Peers**, Boca Raton, FL (US)

(73) Assignee: **Pylon Manufacturing Corp.**, Deerfield Beach, FL (US)

(**) Term: **14 Years**

(21) Appl. No.: **29/413,428**

(22) Filed: **Feb. 15, 2012**

(51) **LOC (9) Cl.** **01-06**

(52) **U.S. Cl.**
USPC **D12/219**

(58) **Field of Classification Search**
USPC D12/219–220; 15/246, 247, 250.001, 15/250.4, 250.361, 250.19, 250.48, 15/250.03, 250.31–250.33, 250.351, 15/250.38, 250.201, 250.451, 250.458, 15/250.04, 250.07, 250.44

See application file for complete search history.

(56) **References Cited**

U.S. PATENT DOCUMENTS

D379,613 S * 6/1997 Chen D12/219
D382,848 S * 8/1997 Chen D12/219

2008/0083082 A1* 4/2008 Rovaart et al. 15/250.32
2011/0162161 A1* 7/2011 Amado 15/250.361
2011/0277266 A1* 11/2011 Umeno 15/250.32

* cited by examiner

Primary Examiner — Katrina A Betton

(74) *Attorney, Agent, or Firm* — Feldman Gale, P.A.; Javier Sobrado; A. Robert Weaver

(57) **CLAIM**

We claim the ornamental design for a wiper blade with a cover, as shown and described.

DESCRIPTION

FIG. 1 is a perspective view of the wiper blade with a cover from above.

FIG. 2 is a front view of the wiper blade with a cover.

FIG. 3 is a right-side view of the wiper blade with a cover.

FIG. 4 is a top view of the wiper blade with a cover.

FIG. 5 is a left-side view of the wiper blade with a cover.

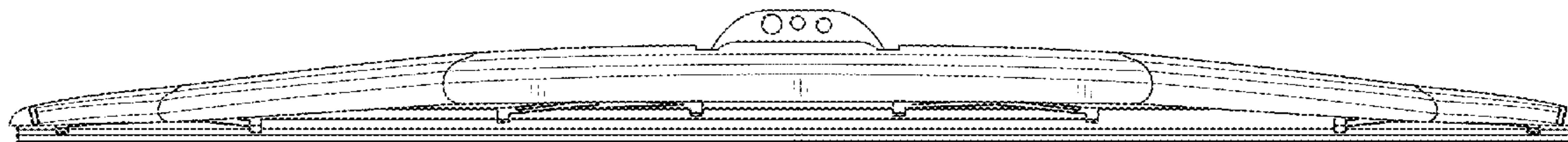
FIG. 6 is a bottom view of the wiper blade with a cover.

FIG. 7 is a back view of the wiper blade with a cover; and,

FIG. 8 is a perspective view of the wiper blade with a cover from below.

The features shown in broken lines are for illustrative purposes and form no part of the claimed design.

1 Claim, 4 Drawing Sheets



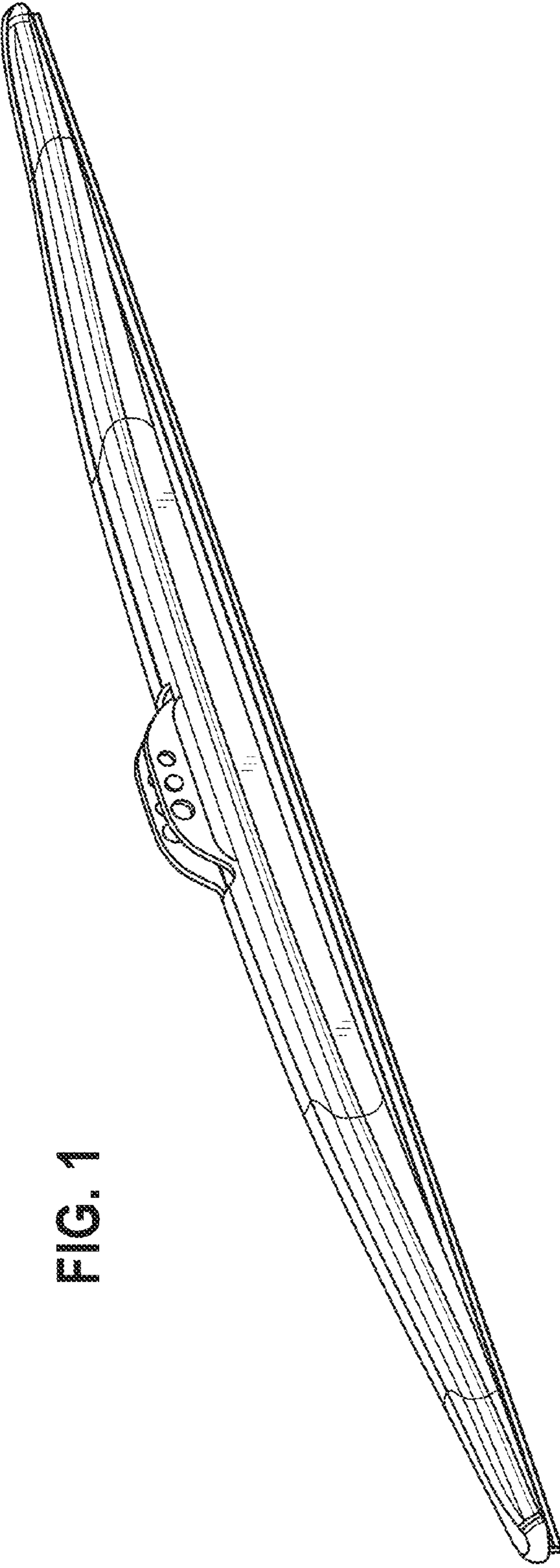


FIG. 1

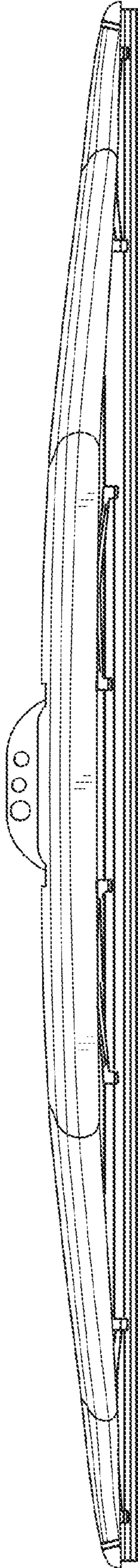


FIG. 2

FIG. 5

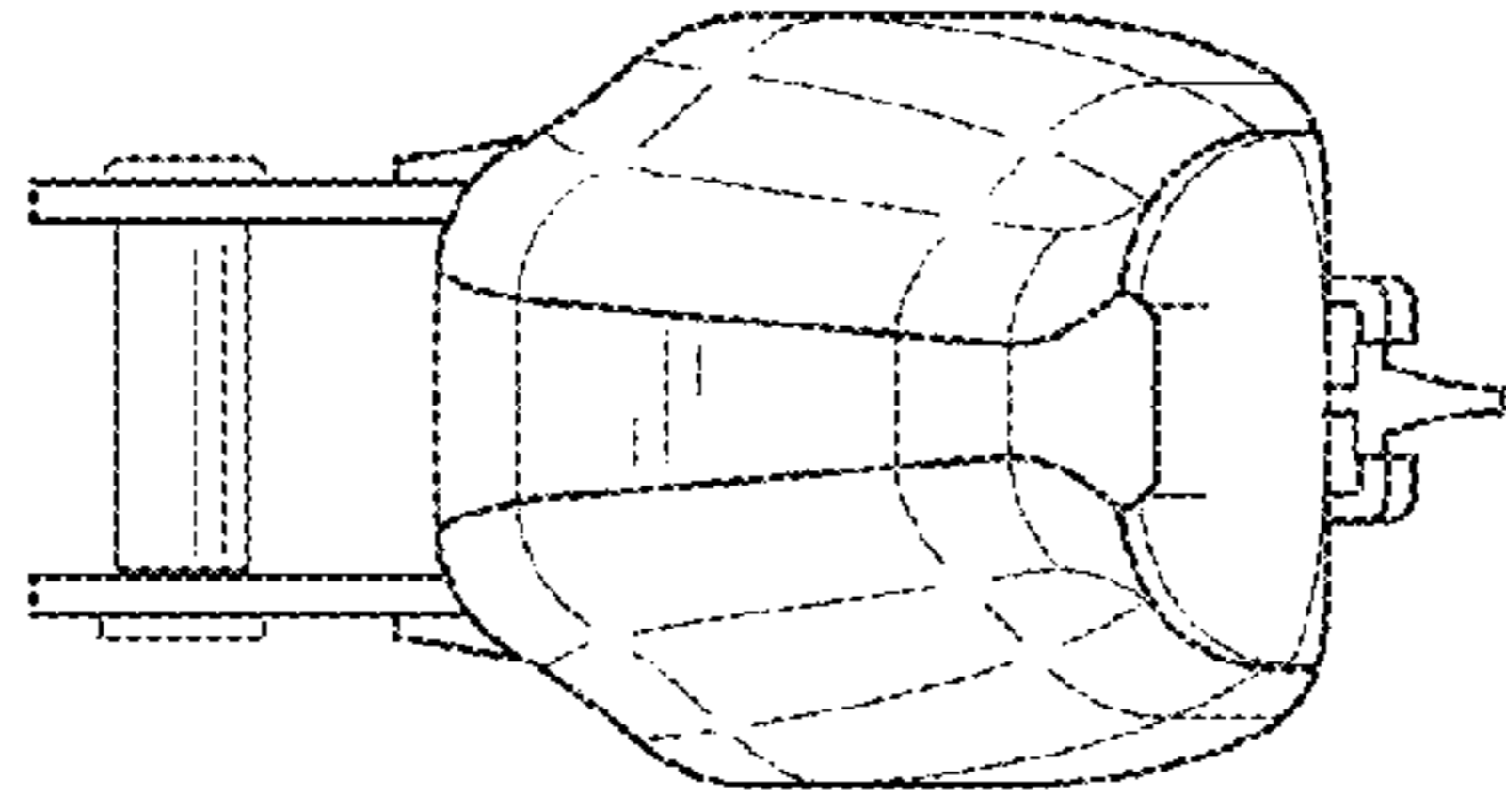


FIG. 3

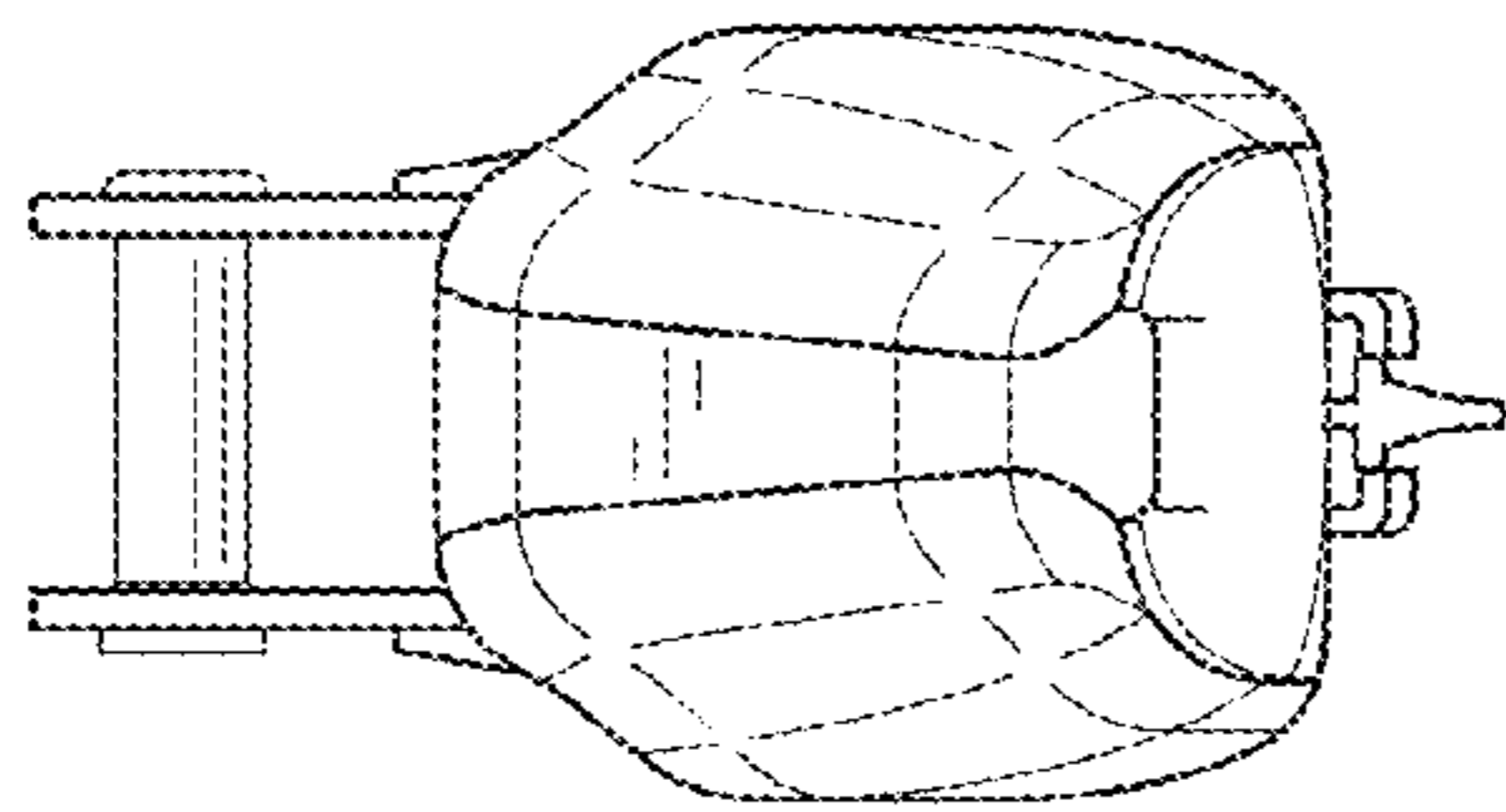


FIG. 4

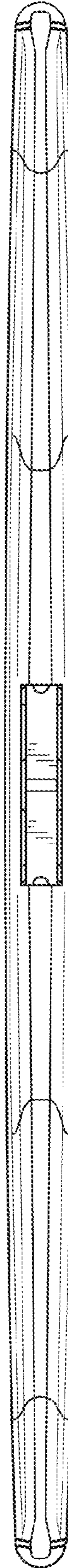


FIG. 6

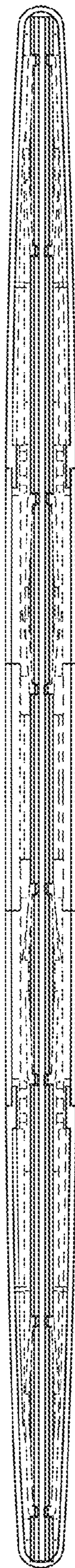


FIG. 7

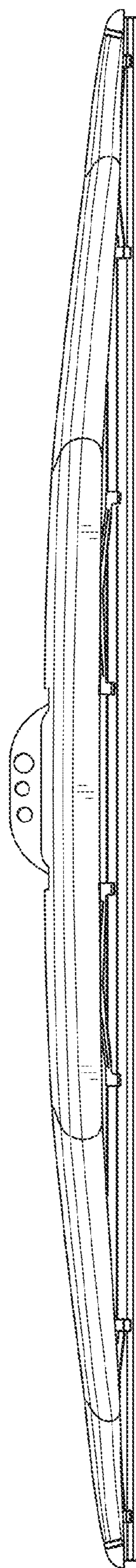


FIG. 8

