

US00D692816S

(12) **United States Design Patent**
Zhang

(10) **Patent No.:** **US D692,816 S**

(45) **Date of Patent:** **** Nov. 5, 2013**

(54) **WHEEL OR WHEEL COVER**

(71) Applicant: **Daimler AG**, Stuttgart (DE)

(72) Inventor: **Fan Zhang**, Hubei (CN)

(73) Assignee: **Daimler AG**, Stuttgart (DE)

(**) Term: **14 Years**

(21) Appl. No.: **29/438,912**

(22) Filed: **Dec. 5, 2012**

(30) **Foreign Application Priority Data**

Jun. 6, 2012 (EM) 002053256-0002

(51) **LOC (9) Cl.** **12-16**

(52) **U.S. Cl.**
USPC **D12/209**

(58) **Field of Classification Search**
USPC D12/204-213; 301/37.101, 64.101, 65,
301/64.201
See application file for complete search history.

(56) **References Cited**

U.S. PATENT DOCUMENTS

D407,681 S * 4/1999 Sacco et al. D12/209
D424,500 S * 5/2000 Johnson D12/209

D479,177 S * 9/2003 Nordmann D12/211
D504,102 S * 4/2005 Cheng D12/211
D513,726 S * 1/2006 Kamimura D12/211
D515,494 S * 2/2006 Laengerer D12/211
D516,490 S * 3/2006 Baer D12/211
D591,663 S * 5/2009 Chung D12/211
D617,248 S * 6/2010 Zhao D12/209
D625,239 S * 10/2010 Juergens et al. D12/211
D641,677 S * 7/2011 Weil D12/209
D641,680 S * 7/2011 Laengerer D12/211
D644,586 S * 9/2011 Baum D12/209
D683,295 S * 5/2013 Pollmann D12/209

* cited by examiner

Primary Examiner — Stacia Cadmus

(74) *Attorney, Agent, or Firm* — Crowell & Moring LLP

(57) **CLAIM**

The ornamental design for a wheel or wheel cover, as shown and described.

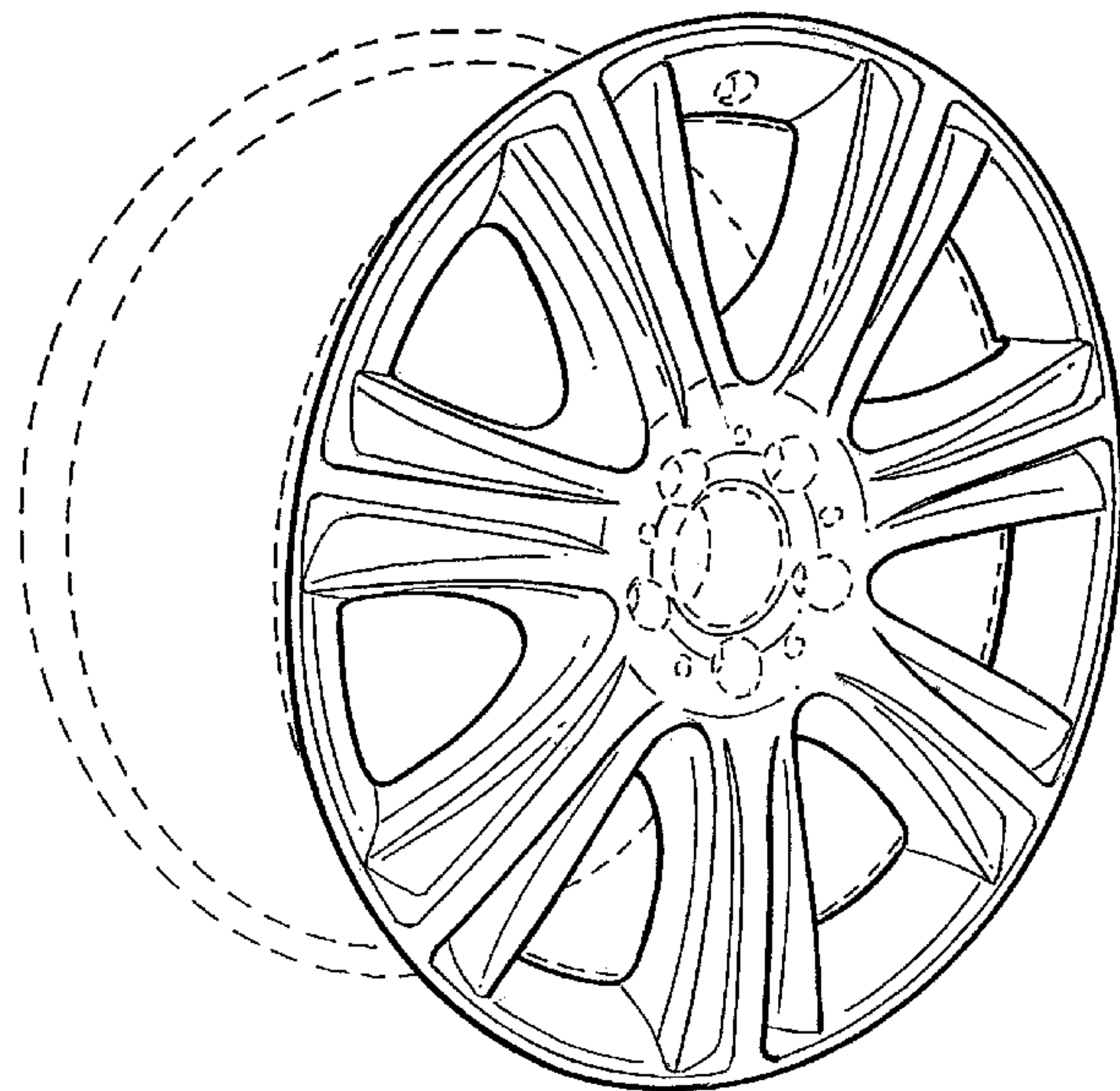
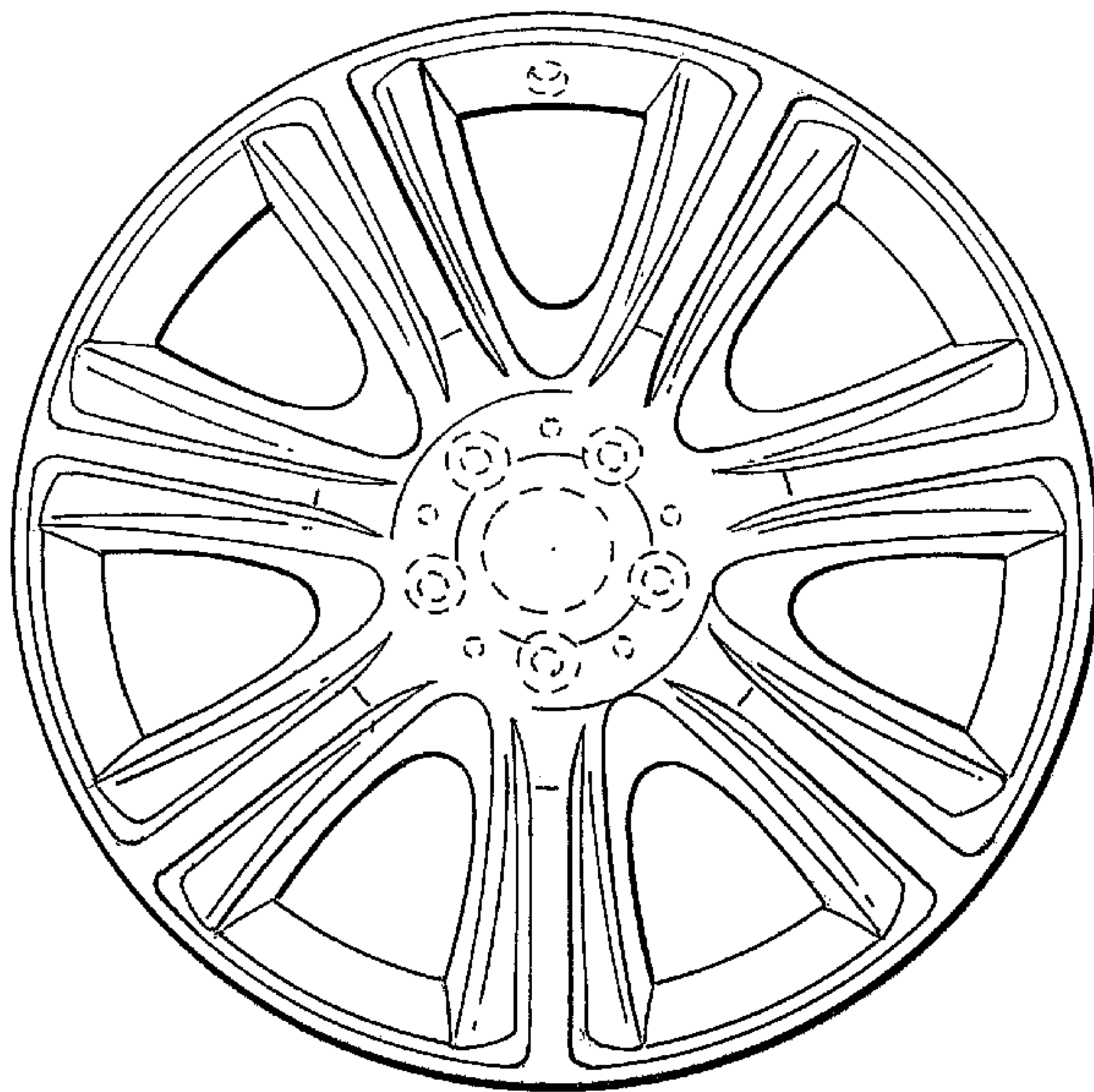
DESCRIPTION

FIG. 1 is a front view of a wheel or wheel cover according to the design; and,

FIG. 2 is a perspective view thereof.

The broken line showing of the rear of the wheel, the hole for the valve stem, the bolt holes and center cap in the central hub area is included for the purpose of illustrating environment and forms no part of the claimed design.

1 Claim, 1 Drawing Sheet



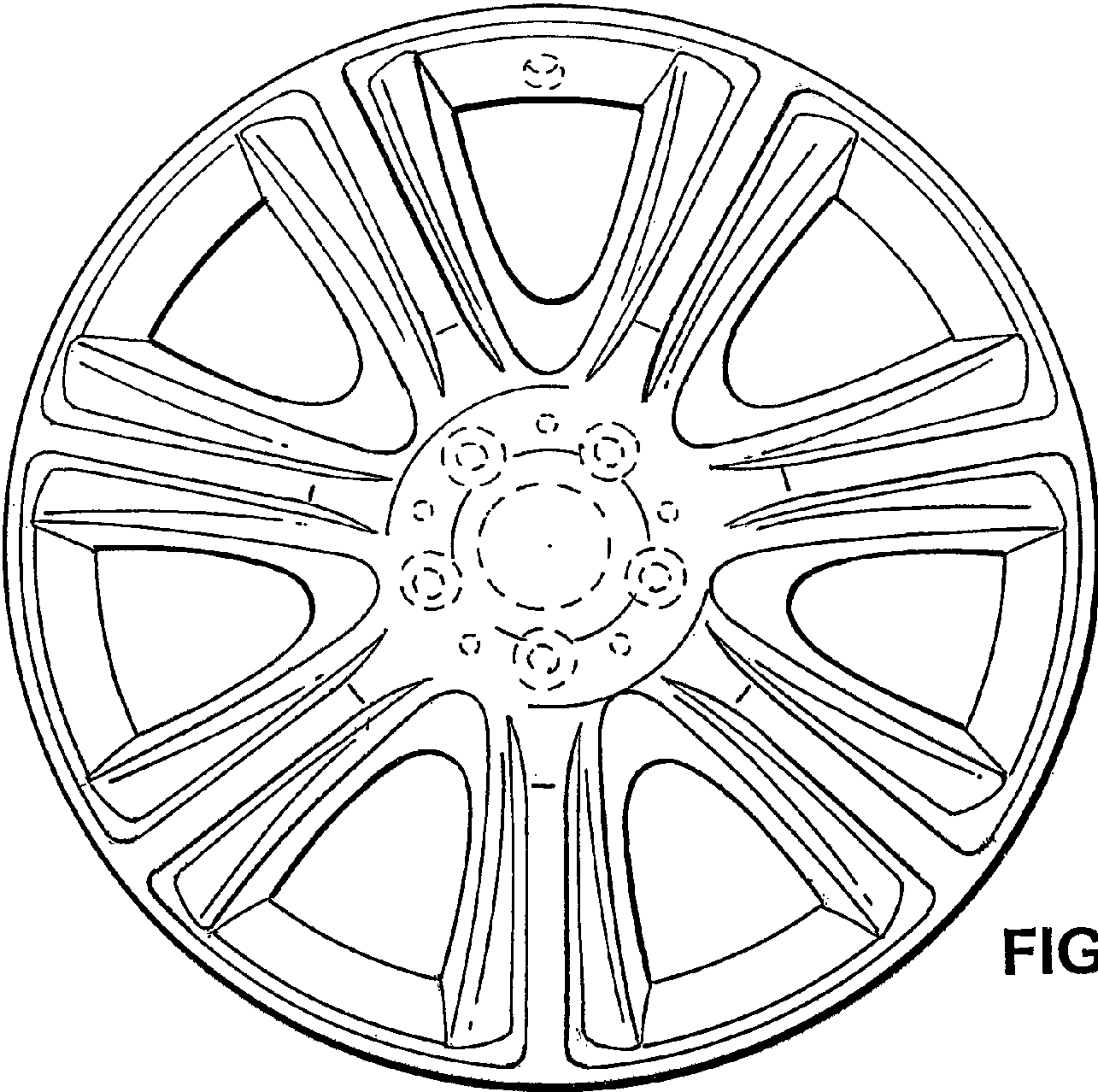


FIG. 1

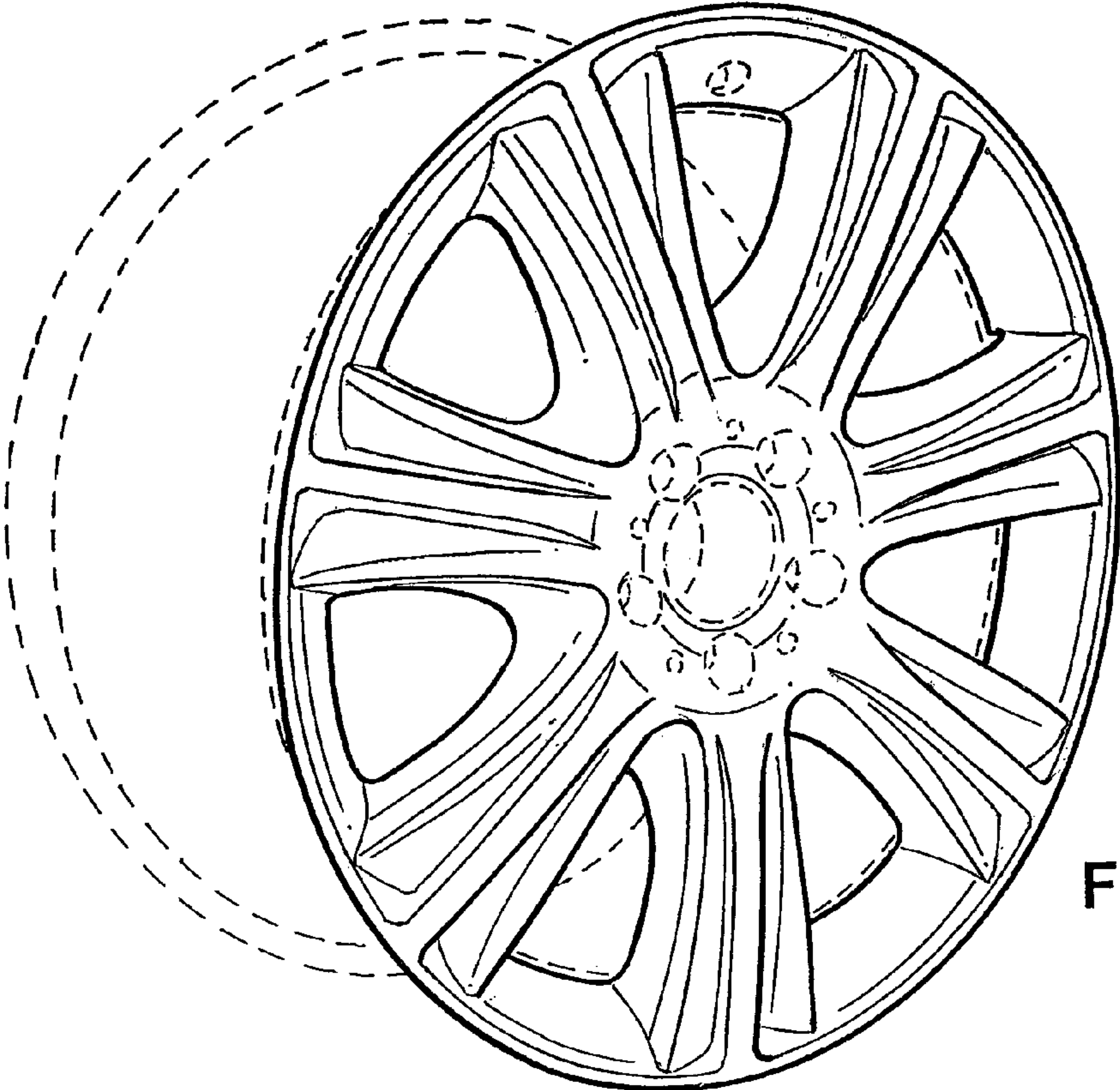


FIG. 2