



US00D692815S

(12) **United States Design Patent**
Chung

(10) **Patent No.:** **US D692,815 S**

(45) **Date of Patent:** **** *Nov. 5, 2013**

(54) **SLIM LICENSE PLATE CAMERA WITH LED LIGHTS**

(71) Applicant: **Dae Kwon Chung**, Fullerton, CA (US)

(72) Inventor: **Dae Kwon Chung**, Fullerton, CA (US)

(*) Notice: This patent is subject to a terminal disclaimer.

(**) Term: **14 Years**

(21) Appl. No.: **29/448,280**

(22) Filed: **Mar. 11, 2013**

(51) **LOC (9) Cl.** **12-16**

(52) **U.S. Cl.**
USPC **D12/193**

(58) **Field of Classification Search**
USPC D12/193; D6/300–302, 310–314;
40/200–204, 207–214; D20/13;
348/148, 373; D16/218–219; 248/200;
340/435

See application file for complete search history.

(56) **References Cited**

U.S. PATENT DOCUMENTS

D274,807 S * 7/1984 Stansbury et al. D12/193
D411,499 S * 6/1999 Porter D12/193

D496,312 S * 9/2004 Sybilrud et al. D12/193
7,106,183 B2 * 9/2006 Hong 340/435
D537,765 S * 3/2007 Porter D12/193
D577,050 S * 9/2008 Dayan D16/219
D578,049 S * 10/2008 Son D12/193
D596,545 S * 7/2009 Son D12/193
7,883,064 B2 * 2/2011 Luft et al. 248/200
D644,973 S * 9/2011 Miyawaki D12/193
D672,297 S * 12/2012 Dong D12/193
2005/0198876 A1 * 9/2005 Chang et al. 40/209
2009/0128687 A1 * 5/2009 Woo 348/373

* cited by examiner

Primary Examiner — Stacia Cadmus

(74) *Attorney, Agent, or Firm* — John K. Park; Park Law Firm

(57) **CLAIM**

The ornamental design for a slim license plate camera with LED lights, as shown and described.

DESCRIPTION

FIG. 1 is a perspective view of a slim license plate camera with LED lights showing my new design;
FIG. 2 is a front view thereof;
FIG. 3 is a rear view thereof;
FIG. 4 is a side view thereof;
FIG. 5 is a top plan view thereof; and,
FIG. 6 is a bottom view thereof.

1 Claim, 3 Drawing Sheets

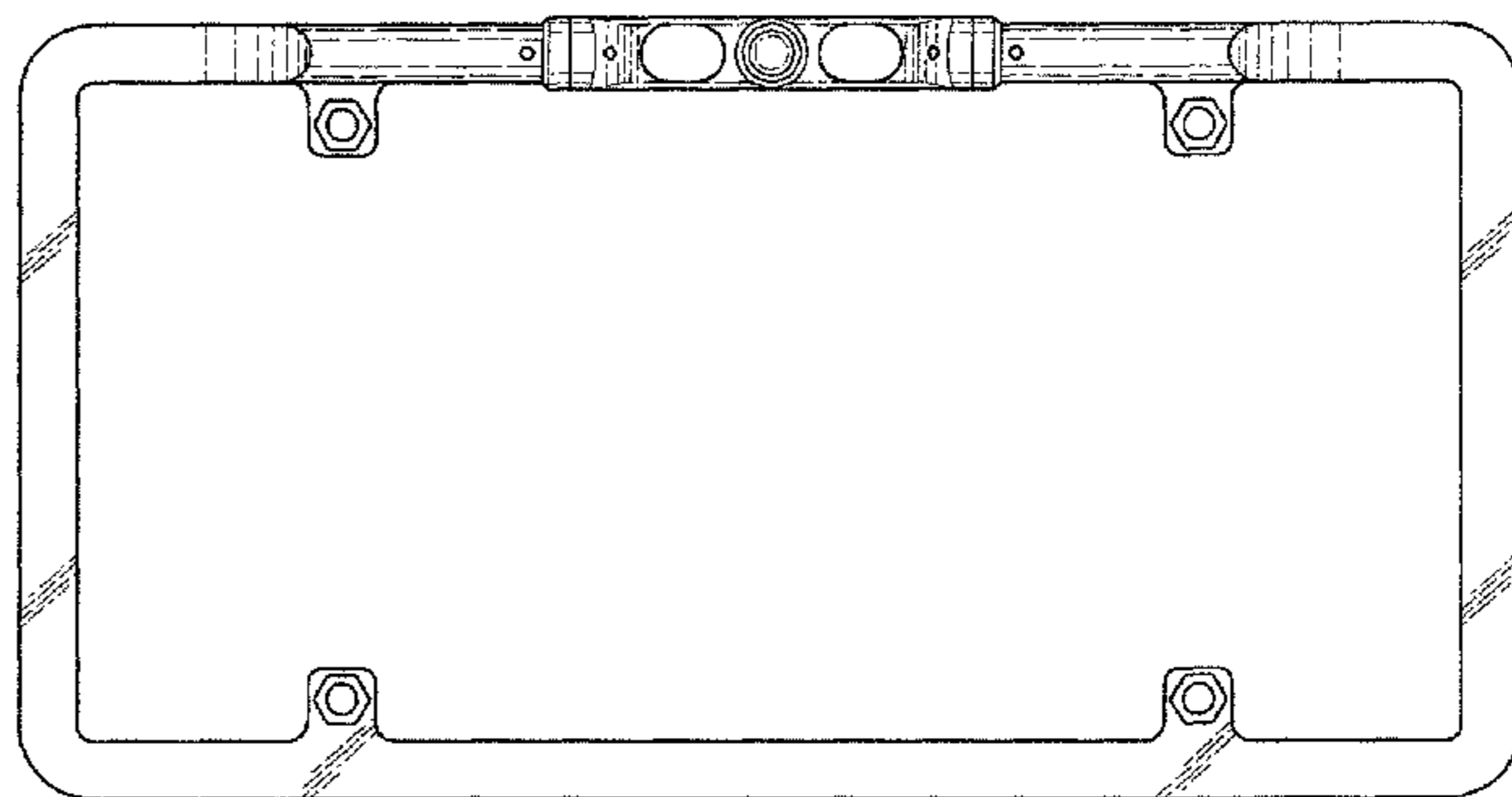
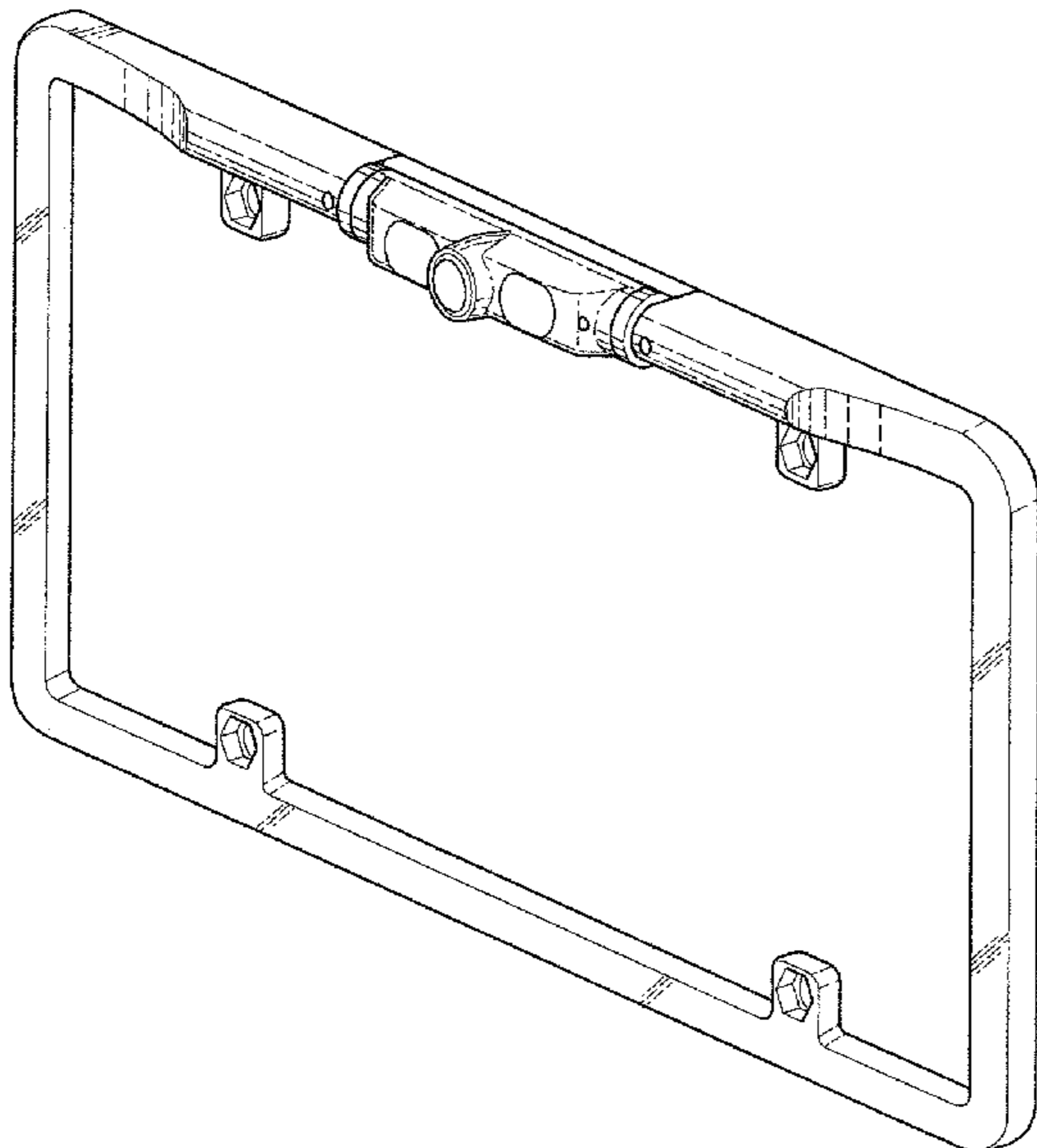


FIG. 1

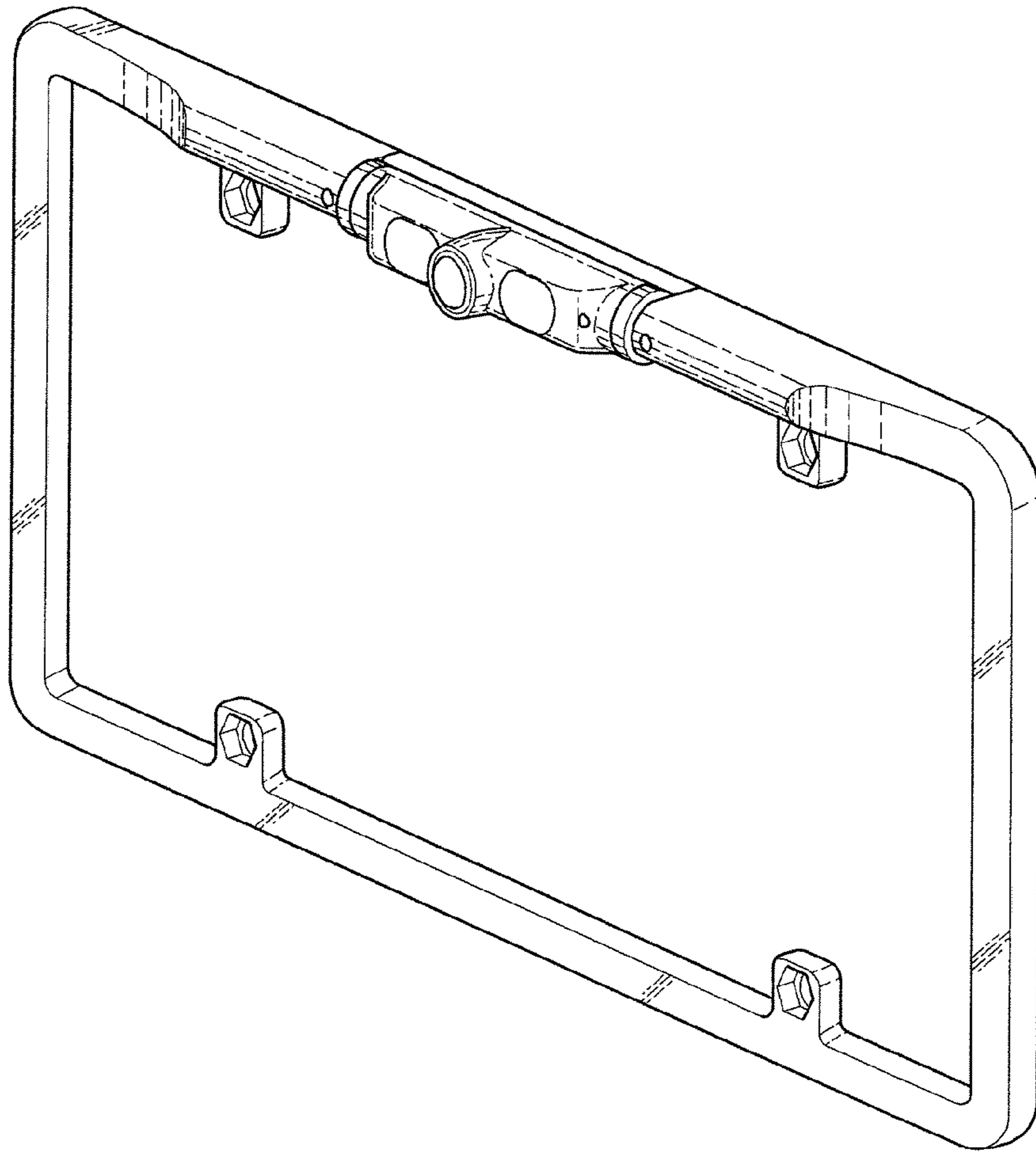


FIG. 2

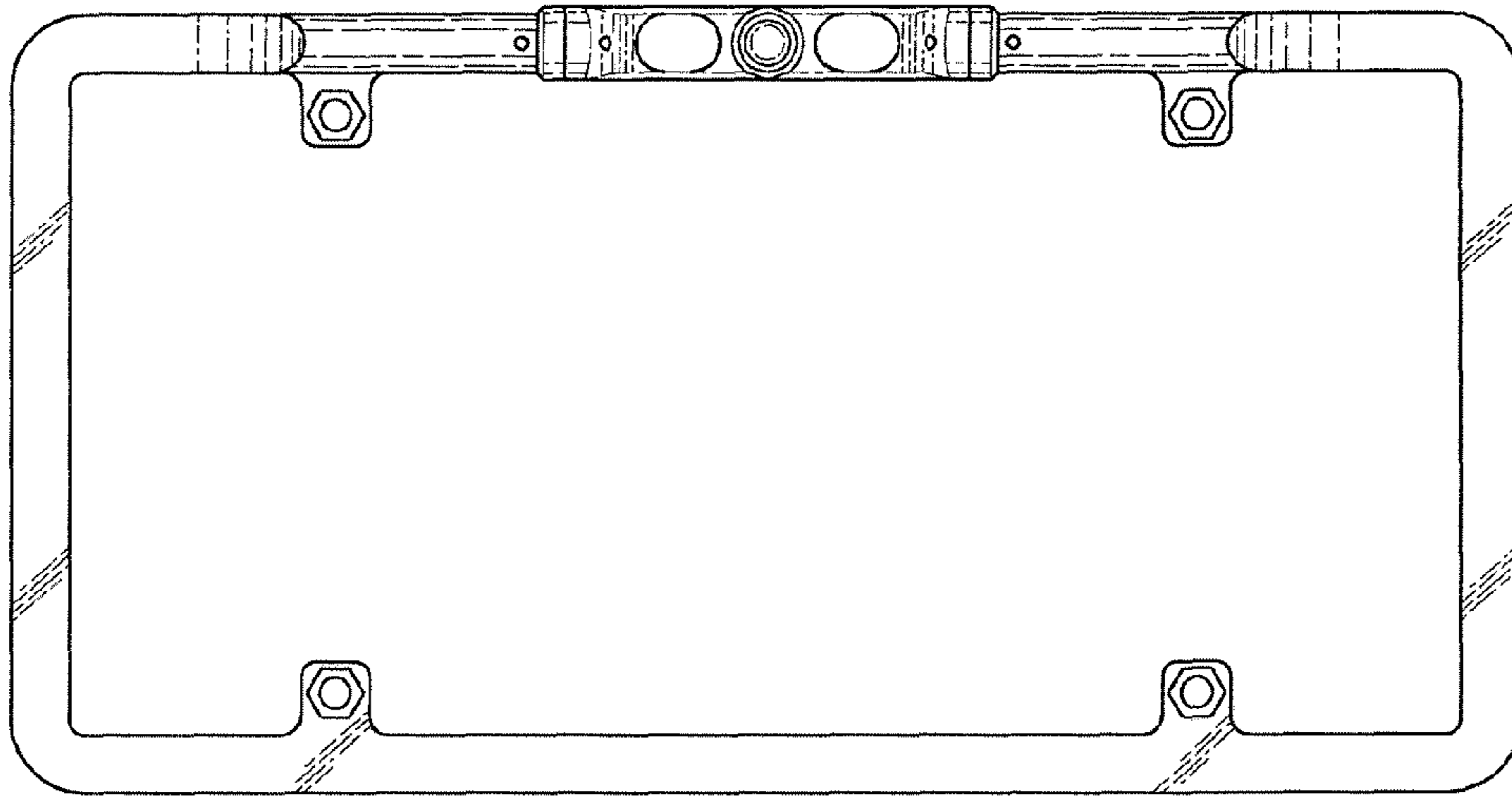


FIG. 3

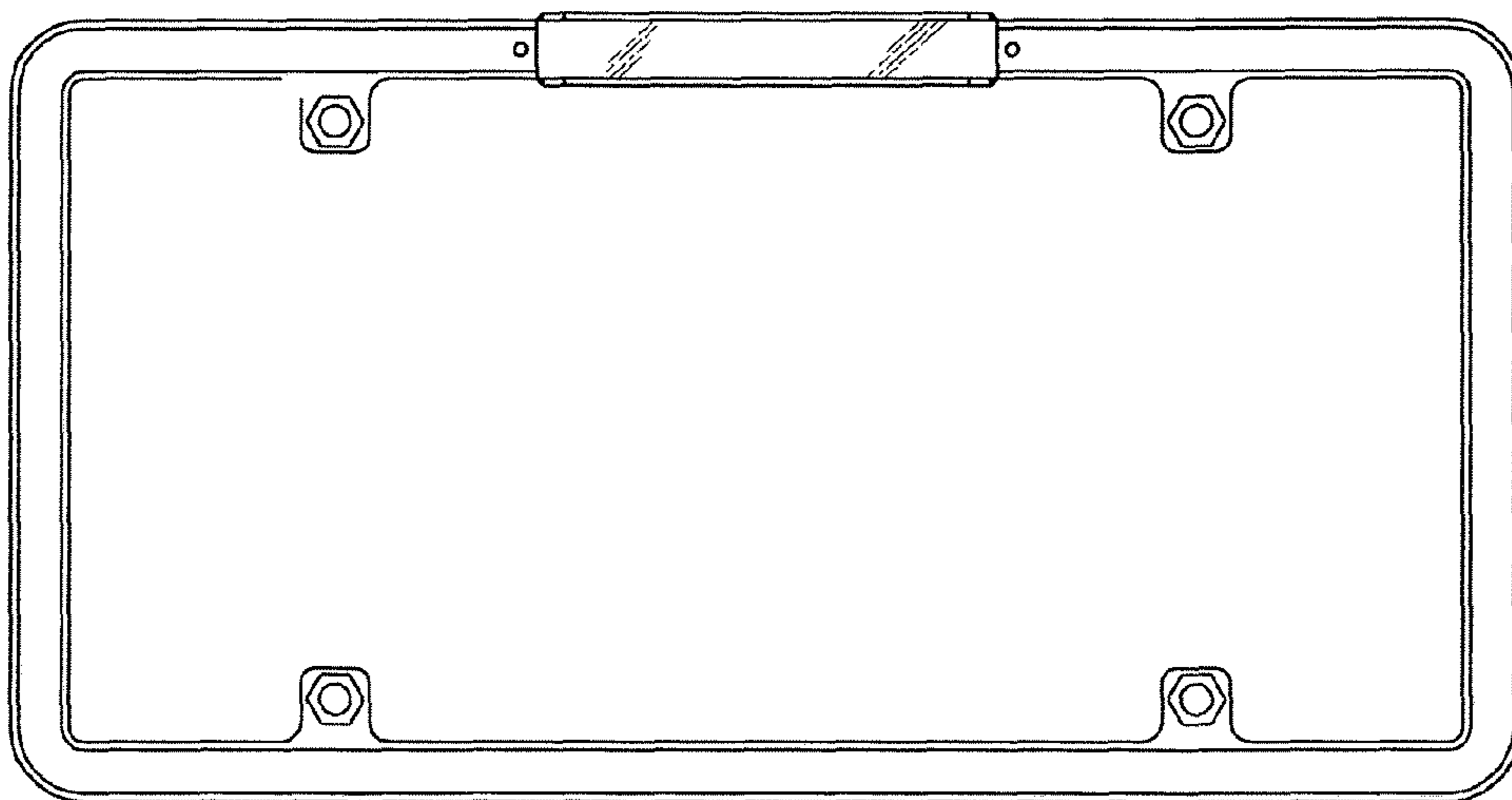


FIG. 4



FIG. 5

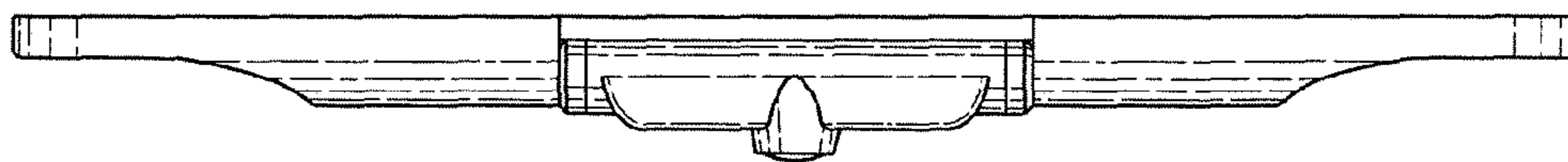


FIG. 6

