



US00D692811S

(12) **United States Design Patent**
Johnson

(10) **Patent No.:** **US D692,811 S**
(45) **Date of Patent:** **** Nov. 5, 2013**

(54) **FRONT BUMPER FOR A VEHICLE**

D637,945 S * 5/2011 Nakagawa D12/169
D668,189 S * 10/2012 Gifford D12/169
D678,141 S * 3/2013 Behmer et al. D12/169

(71) Applicant: **Bayerische Motoren Werke**
Aktiengesellschaft, Munich (DE)

FOREIGN PATENT DOCUMENTS

(72) Inventor: **Mark Allen Johnson**, Santa Monica, CA
(US)

WO DM/073061 8/2010

* cited by examiner

(73) Assignee: **Bayerische Motoren Werke**
Aktiengesellschaft, Munich (DE)

Primary Examiner — Susan M Lee

Assistant Examiner — Linda Brooks

(**) Term: **14 Years**

(74) *Attorney, Agent, or Firm* — Crowell & Moring LLP

(21) Appl. No.: **29/449,348**

(57) **CLAIM**

The ornamental design for a front bumper for a vehicle, as shown and described.

(22) Filed: **Mar. 15, 2013**

DESCRIPTION

(51) **LOC (9) Cl.** **12-16**

This application contains subject matter related to the following co-pending U.S. design patent application: Application Ser. No. 29/449,346, filed herewith and entitled "Vehicle, Toy, And/Or Replicas Thereof".

(52) **U.S. Cl.**

USPC **D12/169**

(58) **Field of Classification Search**

USPC D12/169, 196, 171, 163, 216, 90-92,
D12/86; 296/180.1, 180.2; 293/102, 113,
293/115, 117, 120

See application file for complete search history.

FIG. 1 is a front view of a front bumper for a vehicle according to the design;

FIG. 2 is a right, front perspective view thereof;

FIG. 3 is a left, front perspective view thereof;

FIG. 4 is a right side view thereof;

FIG. 5 is a left side view thereof;

FIG. 6 is a top view thereof;

FIG. 7 is a bottom view thereof; and,

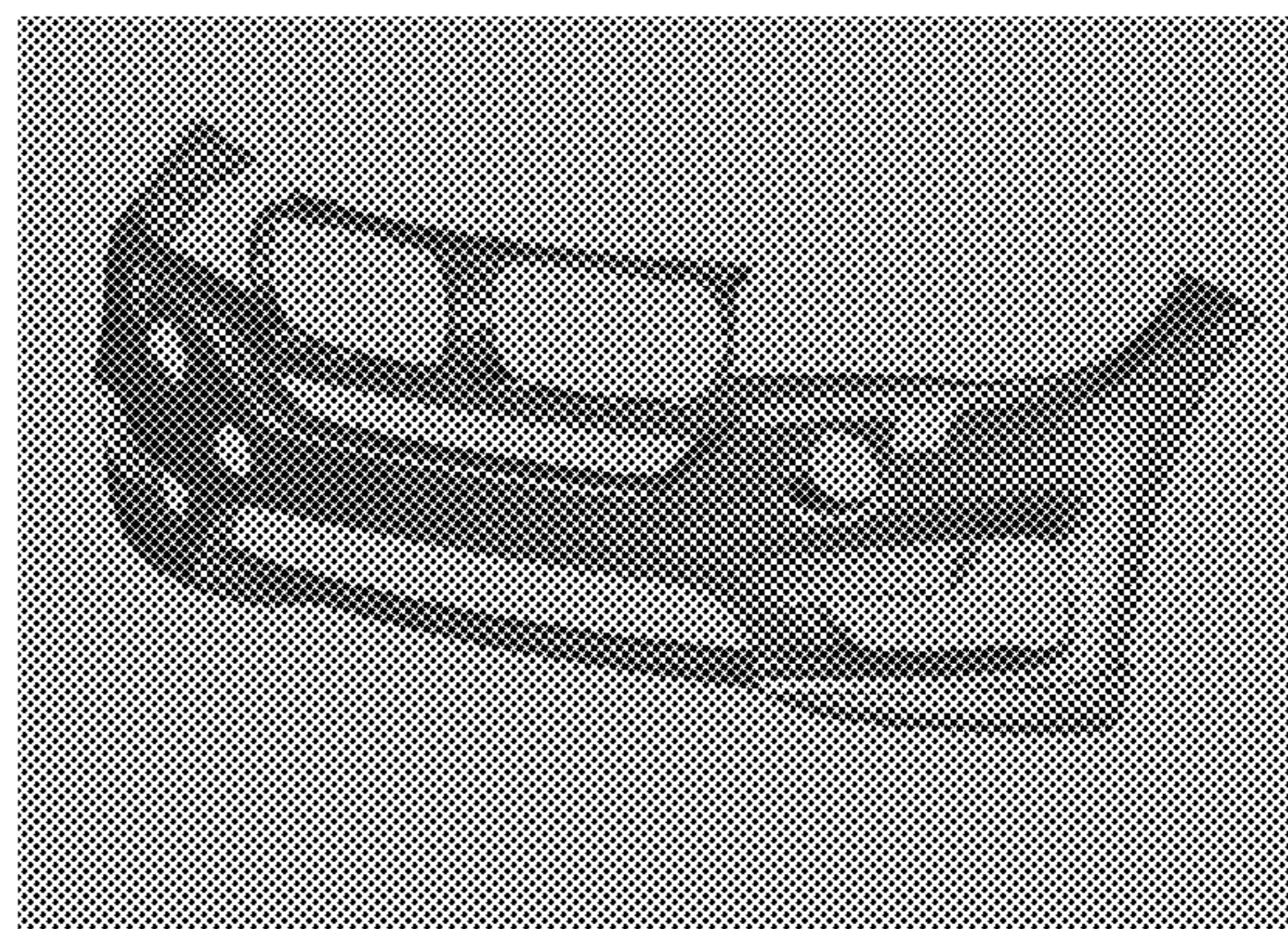
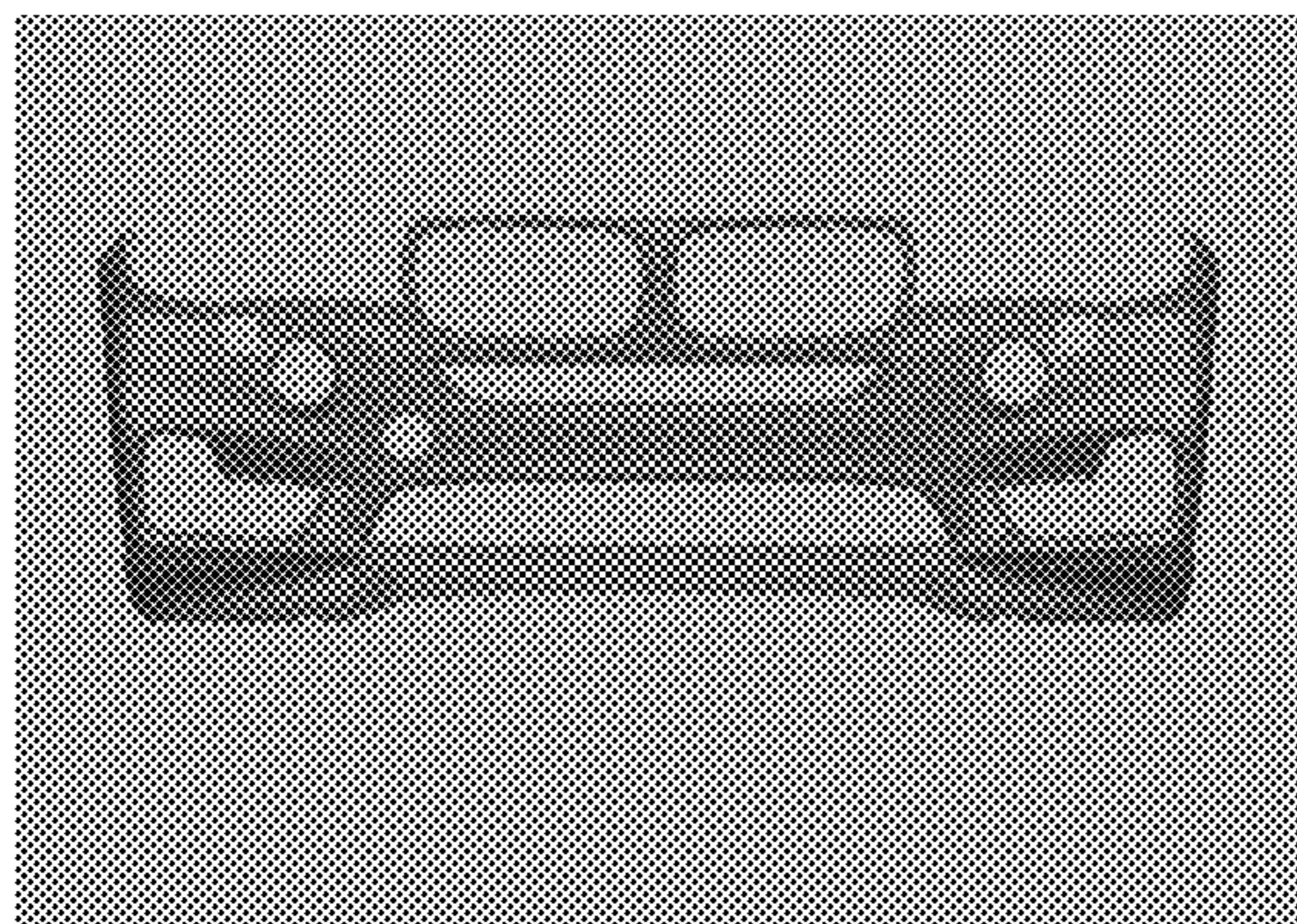
FIG. 8 is a rear view thereof.

(56) **References Cited**

U.S. PATENT DOCUMENTS

D543,138 S * 5/2007 Levy D12/169
D594,794 S * 6/2009 Nakajima D12/169
D600,174 S * 9/2009 Nagafuchi D12/169
D625,230 S * 10/2010 Hirai et al. D12/169

1 Claim, 8 Drawing Sheets



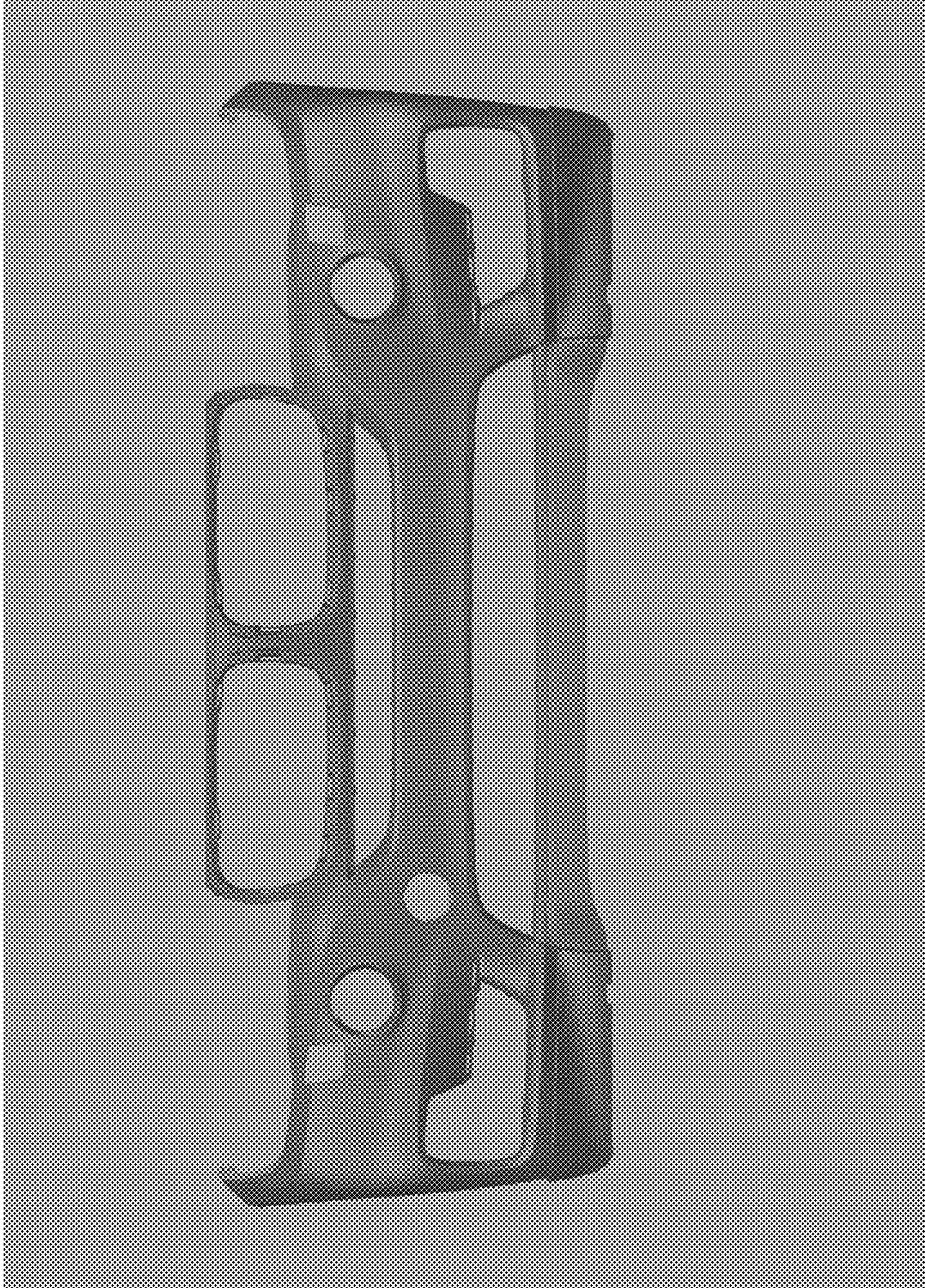


Fig. 1

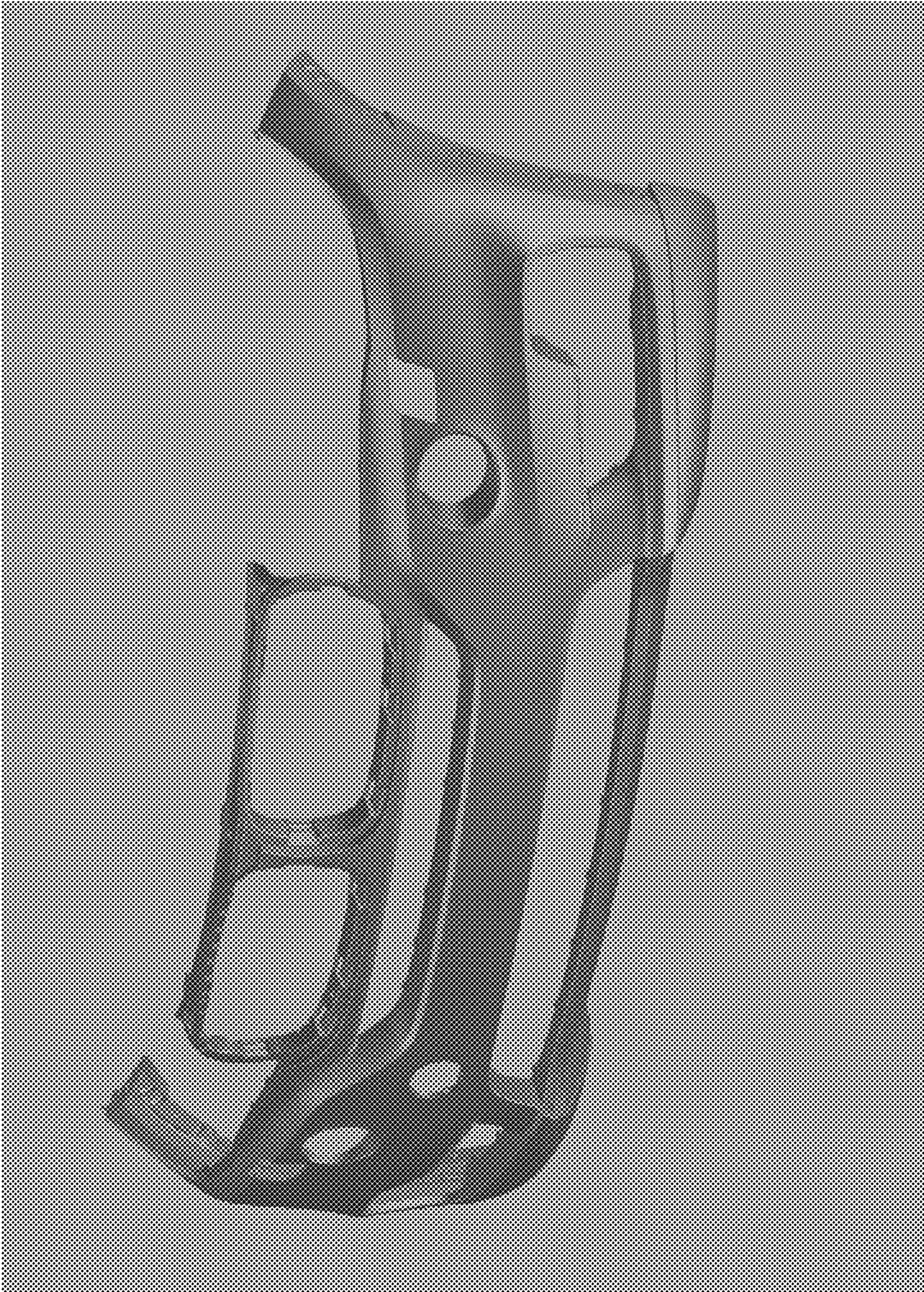


Fig. 2

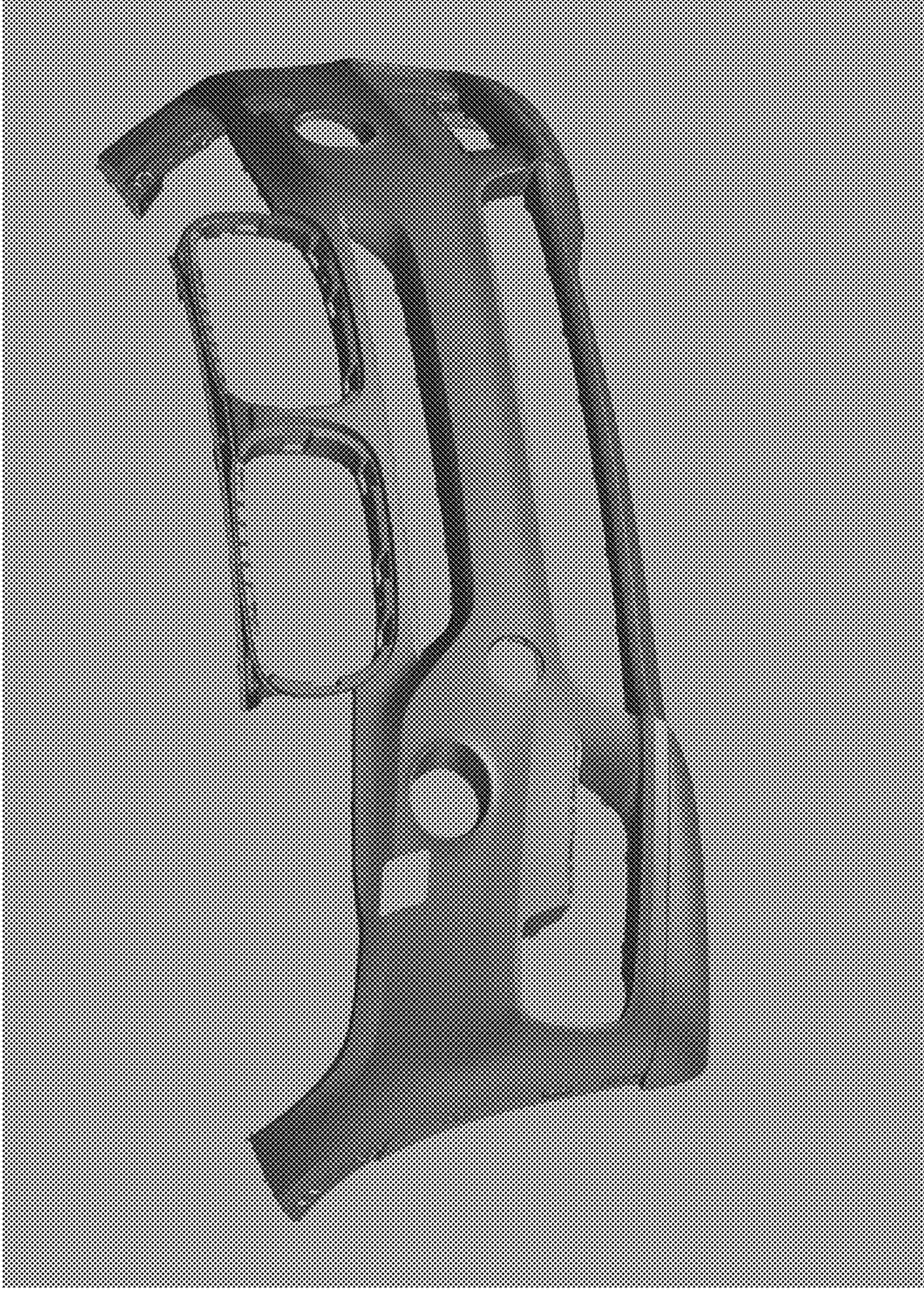


Fig. 3

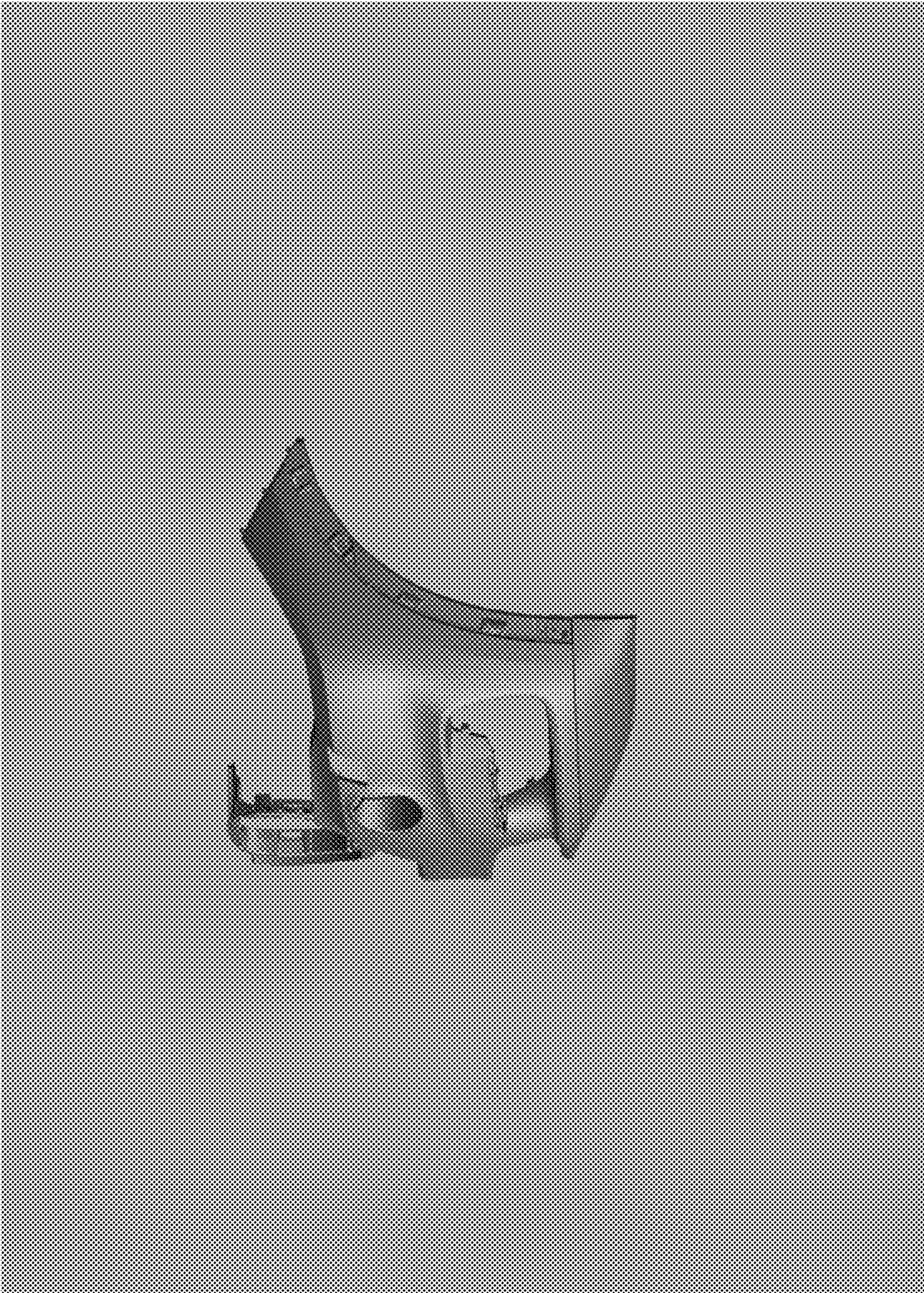


Fig. 4

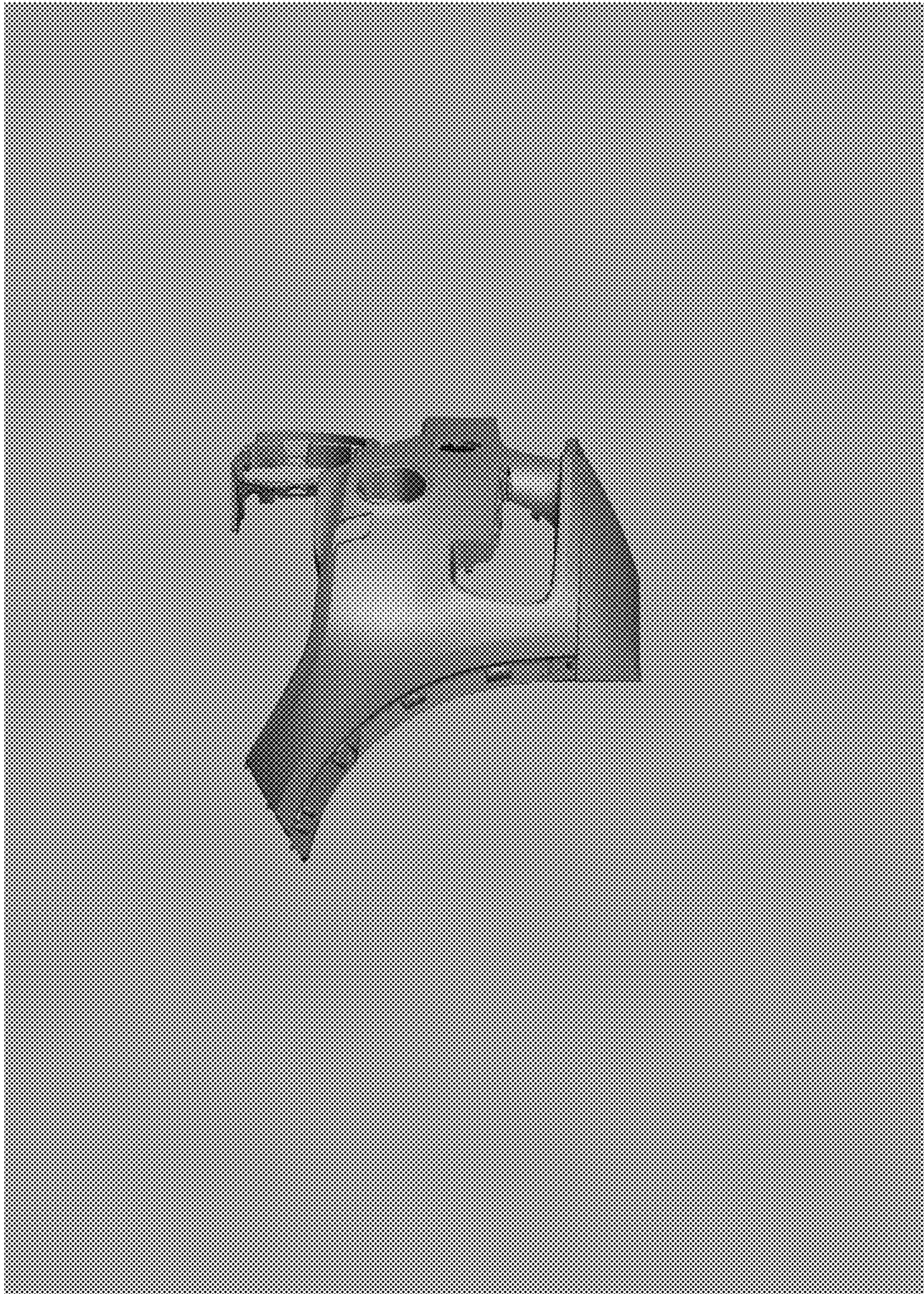


Fig. 5

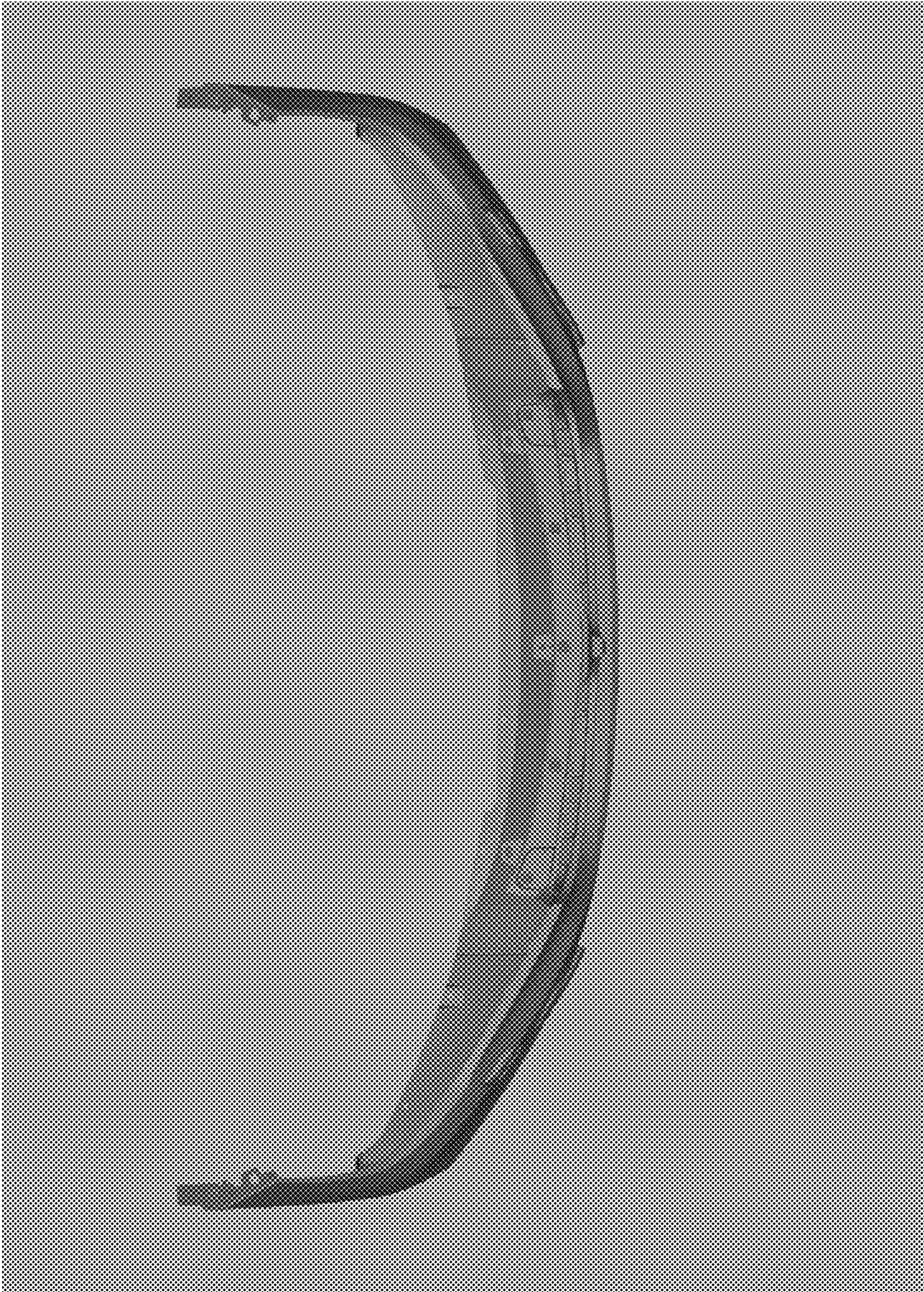


Fig. 6

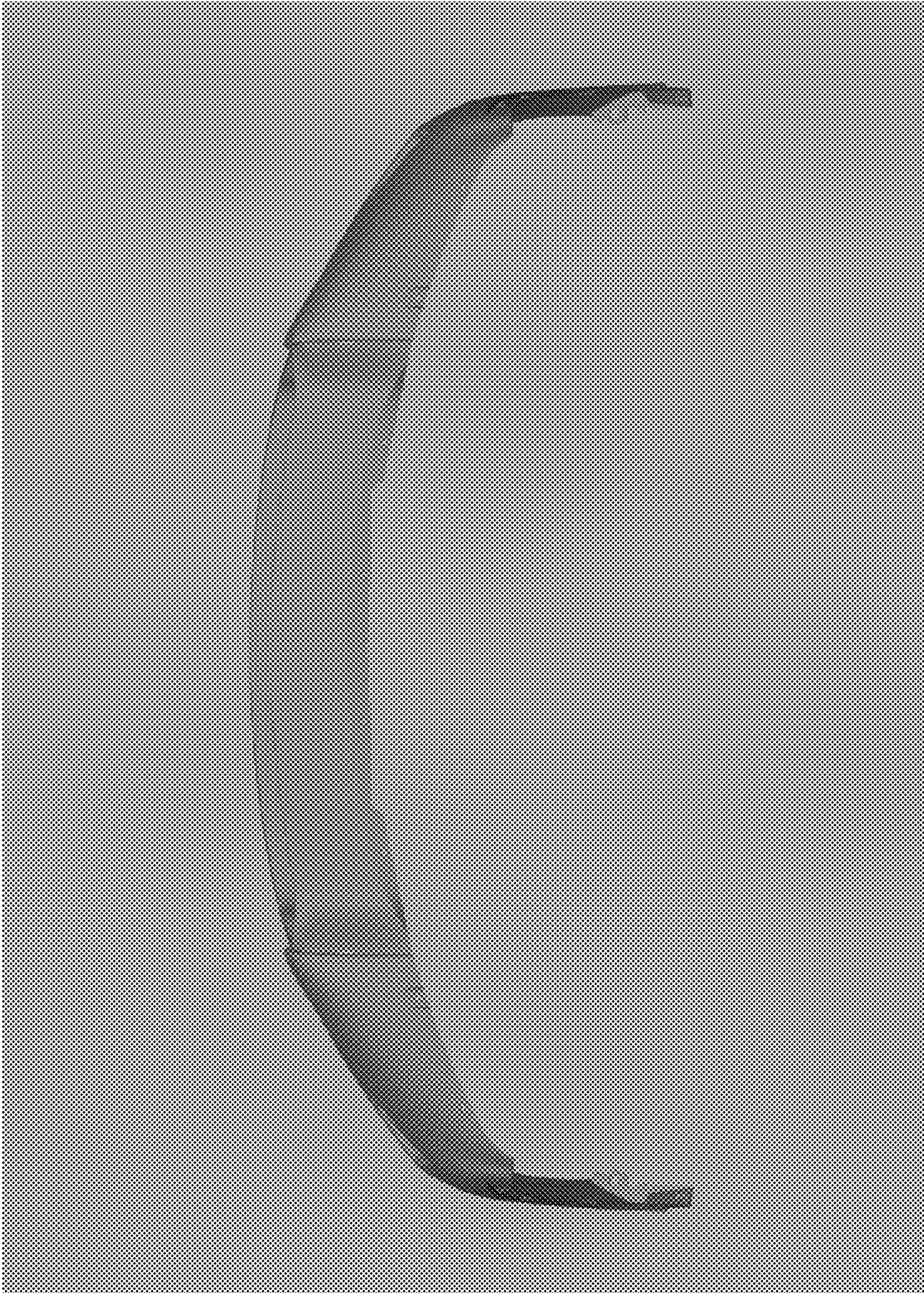


Fig. 7

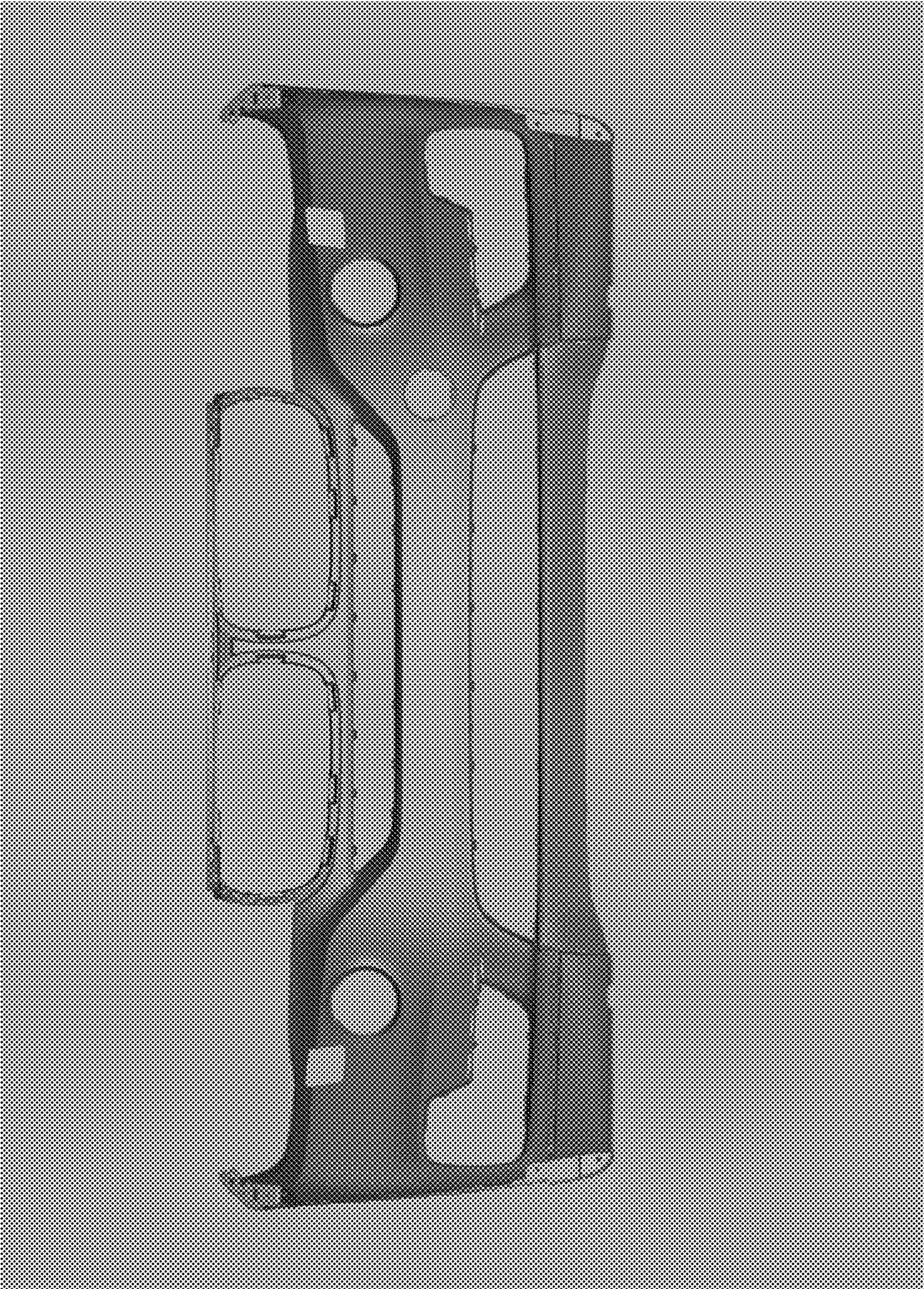


Fig. 8