

US00D692807S

(12) **United States Design Patent**  
**Hamilton et al.**

(10) **Patent No.:** **US D692,807 S**

(45) **Date of Patent:** **\*\* Nov. 5, 2013**

(54) **VEHICLE FRONT SIDE GRILL**

(75) Inventors: **Christopher Hamilton**, Bloomfield Hills, MI (US); **James E. Grake**, Beverly Hills, MI (US); **Moray Callum**, Ann Arbor, MI (US)

(73) Assignee: **Ford Motor Company**, Dearborn, MI (US)

(\*\*) Term: **14 Years**

(21) Appl. No.: **29/405,442**

(22) Filed: **Nov. 2, 2011**

(51) **LOC (9) Cl.** ..... **12-16**

(52) **U.S. Cl.**  
USPC ..... **D12/169**

(58) **Field of Classification Search**  
USPC ..... D12/169, 196, 171, 216, 163, 86,  
D12/90-92; 293/102, 113, 115, 117, 120;  
296/180.1, 180.2

See application file for complete search history.

(56) **References Cited**

**U.S. PATENT DOCUMENTS**

D604,677 S \* 11/2009 Schiavone et al. .... D12/163  
D619,056 S \* 7/2010 Lamm et al. .... D12/163

D630,560 S \* 1/2011 Lamm et al. .... D12/163  
D647,435 S \* 10/2011 Tonello ..... D12/163  
D650,725 S \* 12/2011 Tonello ..... D12/163

**OTHER PUBLICATIONS**

Car Advice, Oct. 5, 2011, 2013 Ford Mondeo Mule Spy Photot.

\* cited by examiner

*Primary Examiner* — Melody N Brown

(74) *Attorney, Agent, or Firm* — Damian Porcari

(57) **CLAIM**

The ornamental design for a vehicle front side grill, as shown and described.

**DESCRIPTION**

FIG. 1 is a left side elevational view of a left vehicle front side grill (the right vehicle front side grill being a mirror image and is not shown);

FIG. 2 is a right side elevational view of the vehicle front side grill;

FIG. 3 is a front elevational view of the vehicle front side grill;

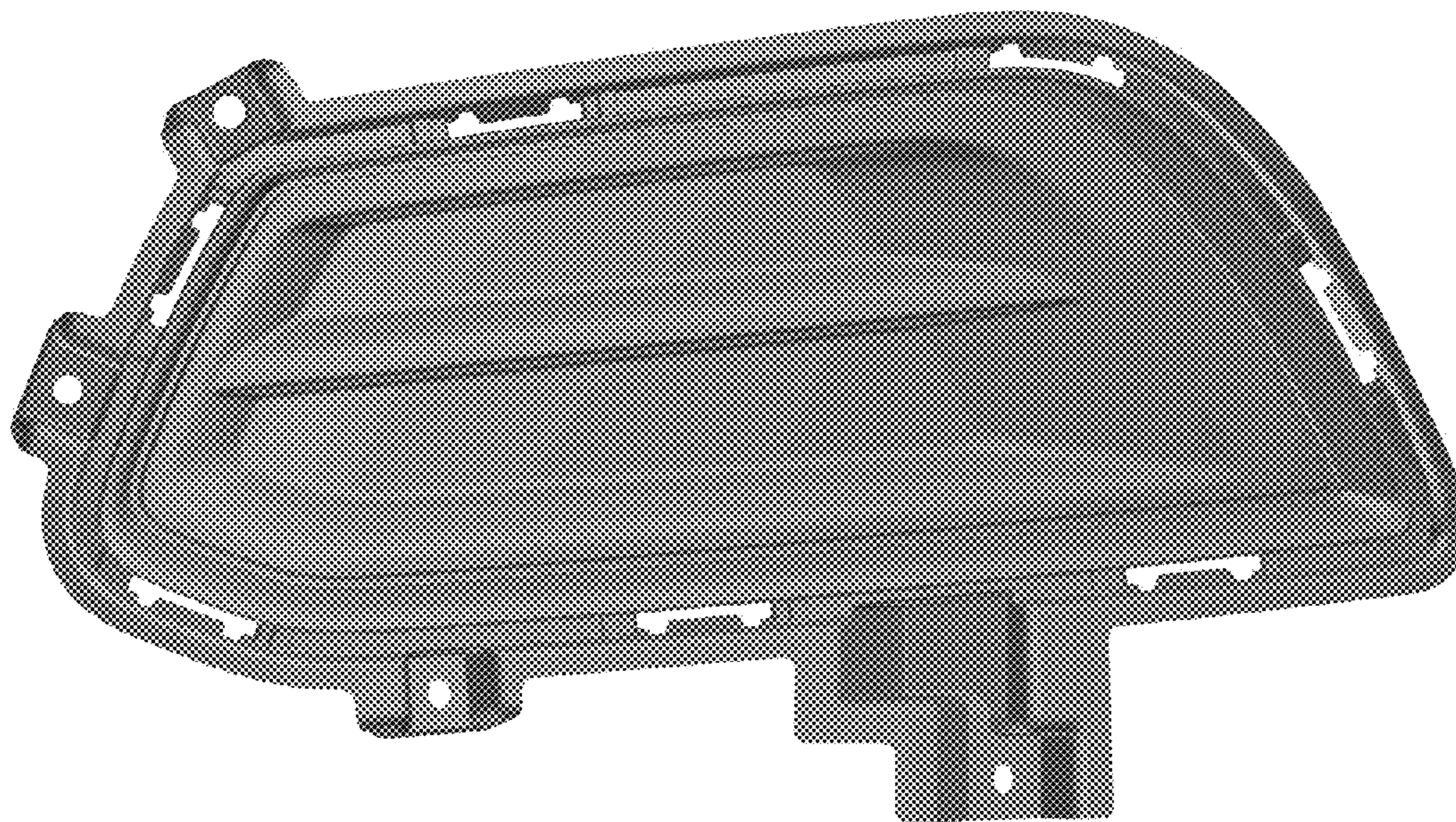
FIG. 4 is a top plan view of the vehicle front side grill;

FIG. 5 is a bottom plan view of the vehicle front side grill;

FIG. 6 is a perspective view of the vehicle front side grill; and,

FIG. 7 is another perspective view of the vehicle front side grill.

**1 Claim, 7 Drawing Sheets**





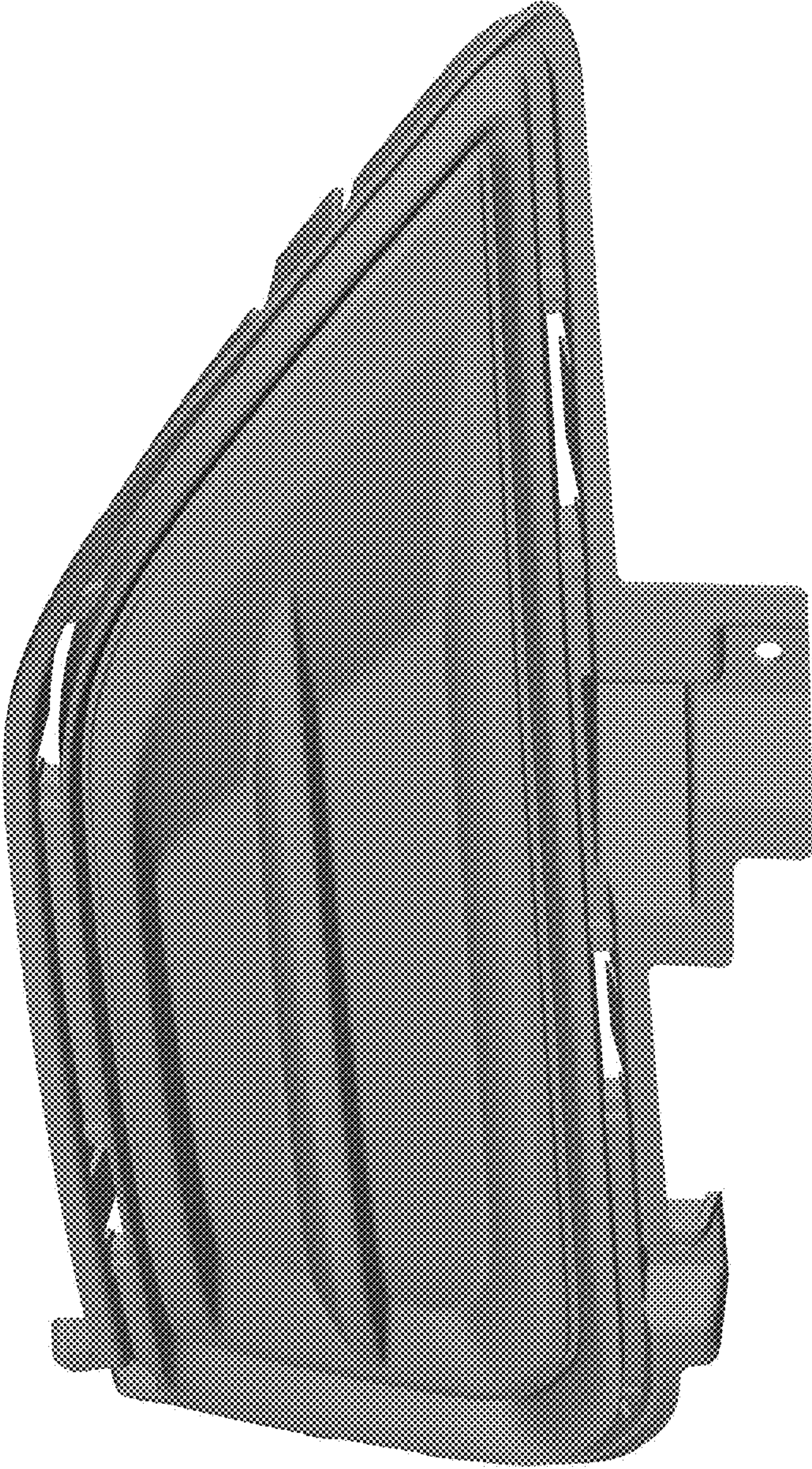


Figure 1



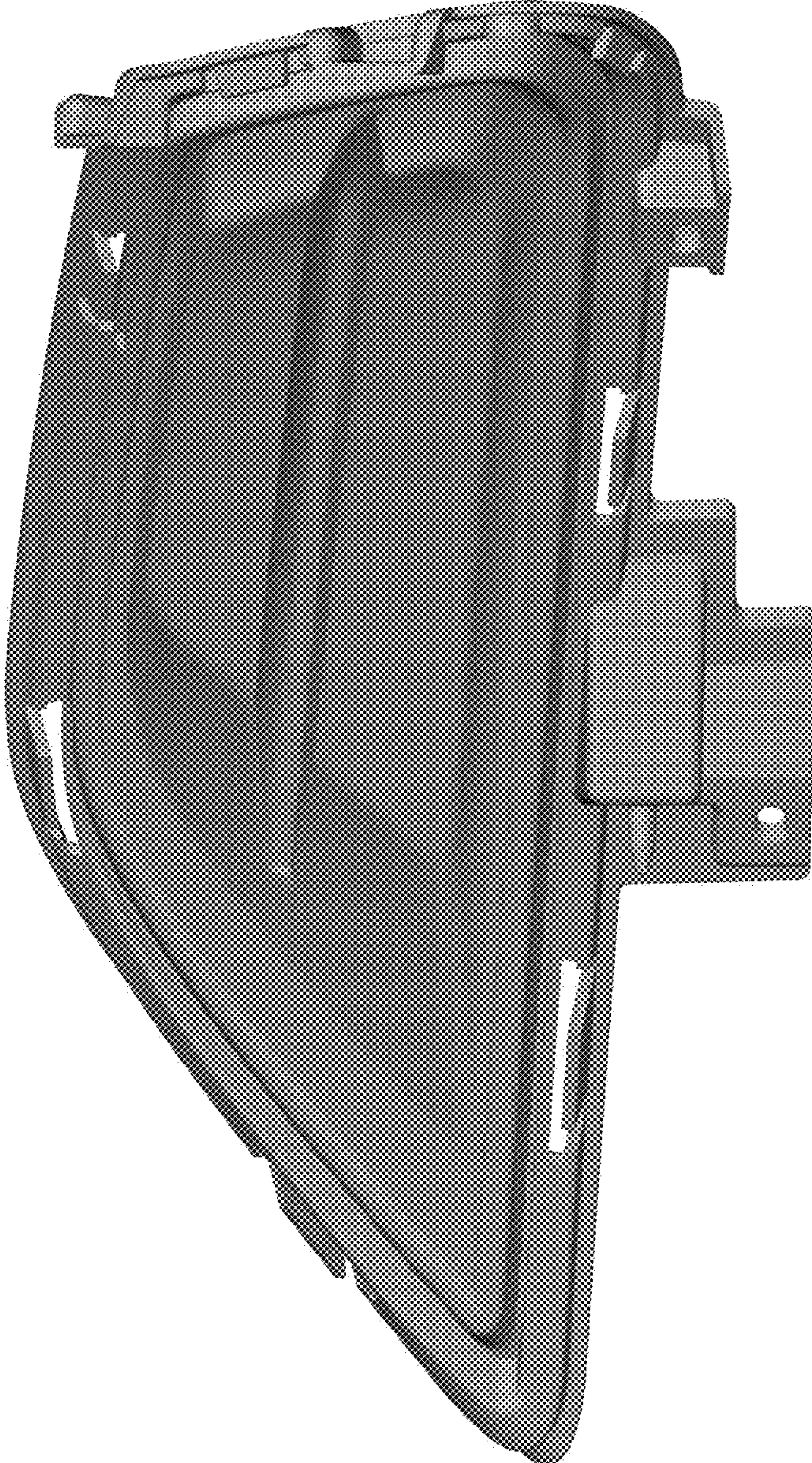


Figure 2



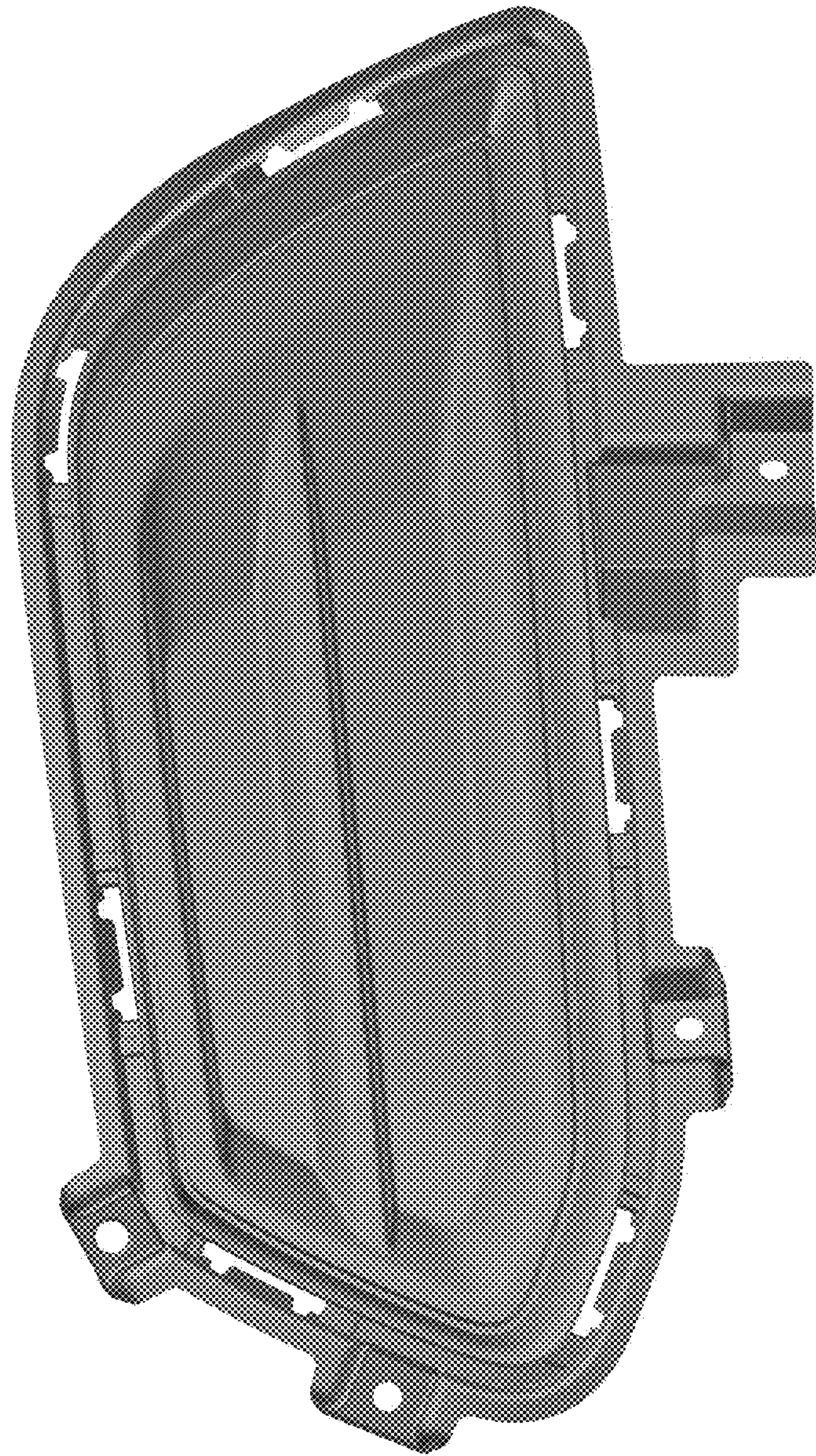


Figure 3



Figure 4

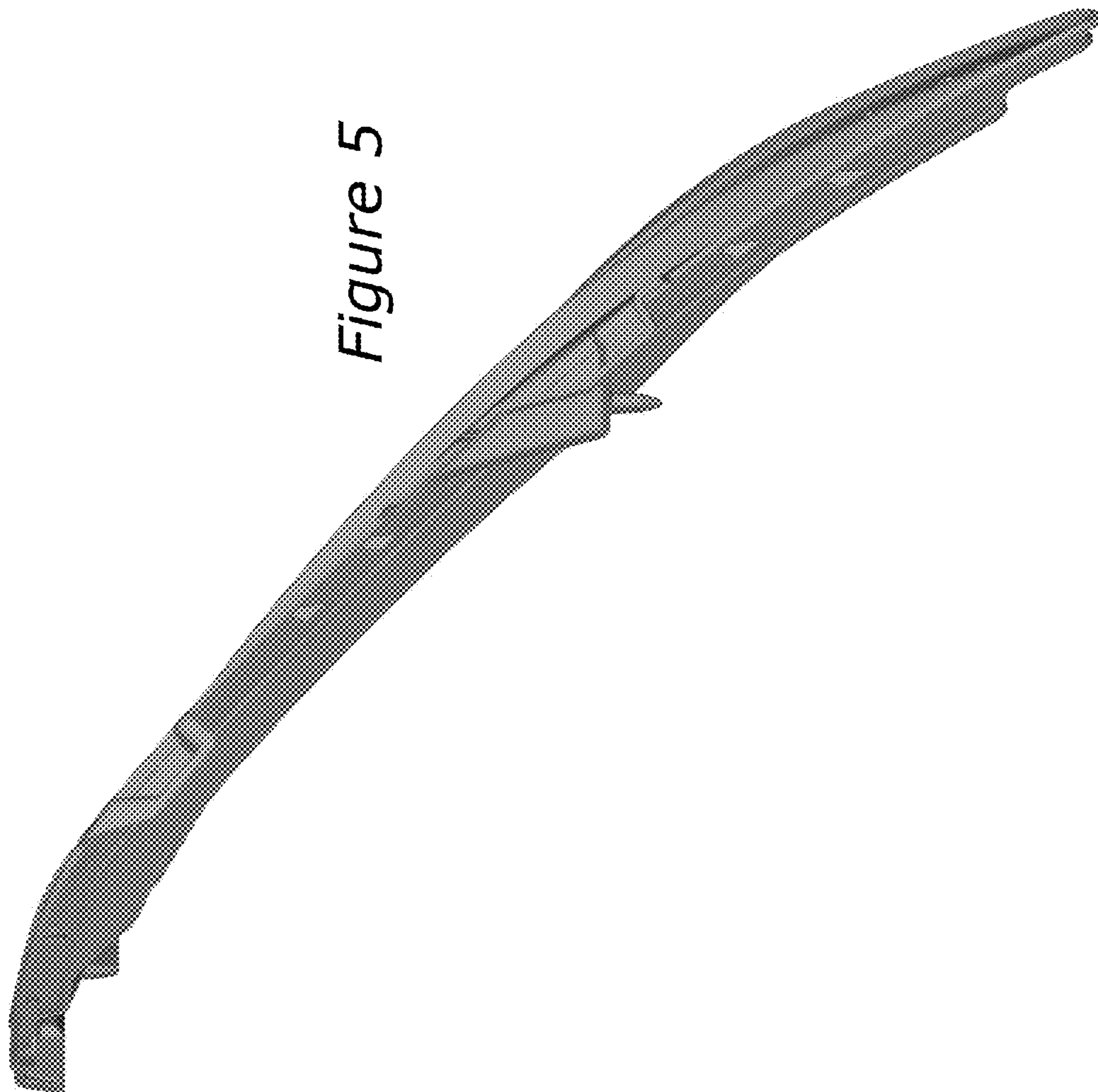


Figure 5



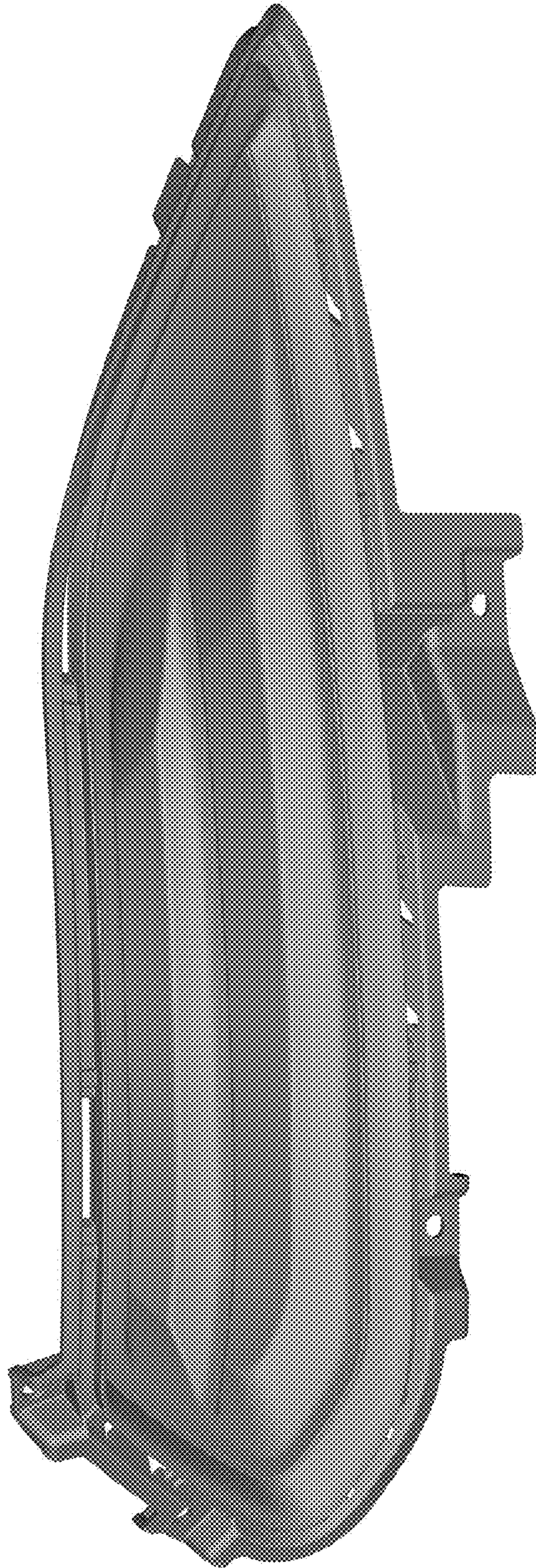


Figure 6



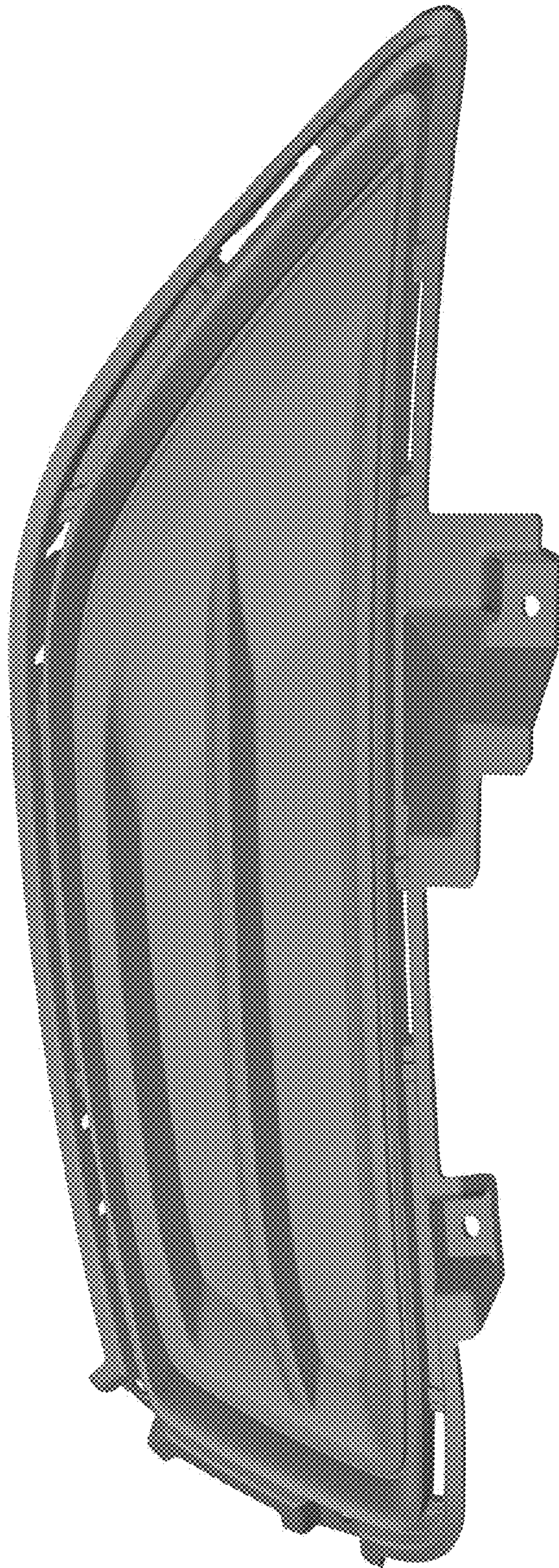


Figure 7