



US00D692802S

(12) **United States Design Patent**  
**Tollenaere**

(10) **Patent No.:** **US D692,802 S**  
(45) **Date of Patent:** **\*\* Nov. 5, 2013**

(54) **AIRCRAFT TOW AND STEERING BAR**

(56) **References Cited**

(71) Applicant: **Donald John Tollenaere**, Seneca, SC  
(US)

U.S. PATENT DOCUMENTS

(72) Inventor: **Donald John Tollenaere**, Seneca, SC  
(US)

D311,511 S *	10/1990	Craig .....	D12/162
D369,996 S *	5/1996	Wylie .....	D12/162
6,948,733 B2 *	9/2005	Webster et al. ....	280/477
6,976,694 B1 *	12/2005	Rayl et al. ....	280/477
D563,838 S *	3/2008	McCowan .....	D12/162
7,744,110 B1 *	6/2010	Ramon .....	280/477
D659,599 S *	5/2012	Story .....	D12/161

(\*\*) Term: **14 Years**

\* cited by examiner

(21) Appl. No.: **29/452,964**

*Primary Examiner* — Katrina A Betton

(22) Filed: **Apr. 23, 2013**

(74) *Attorney, Agent, or Firm* — Raymond L. Greene

(51) **LOC (9) Cl.** ..... **12-16**

(57) **CLAIM**

(52) **U.S. Cl.**  
USPC ..... **D12/162**

The ornamental design for an aircraft tow and steering bar, as shown.

(58) **Field of Classification Search**

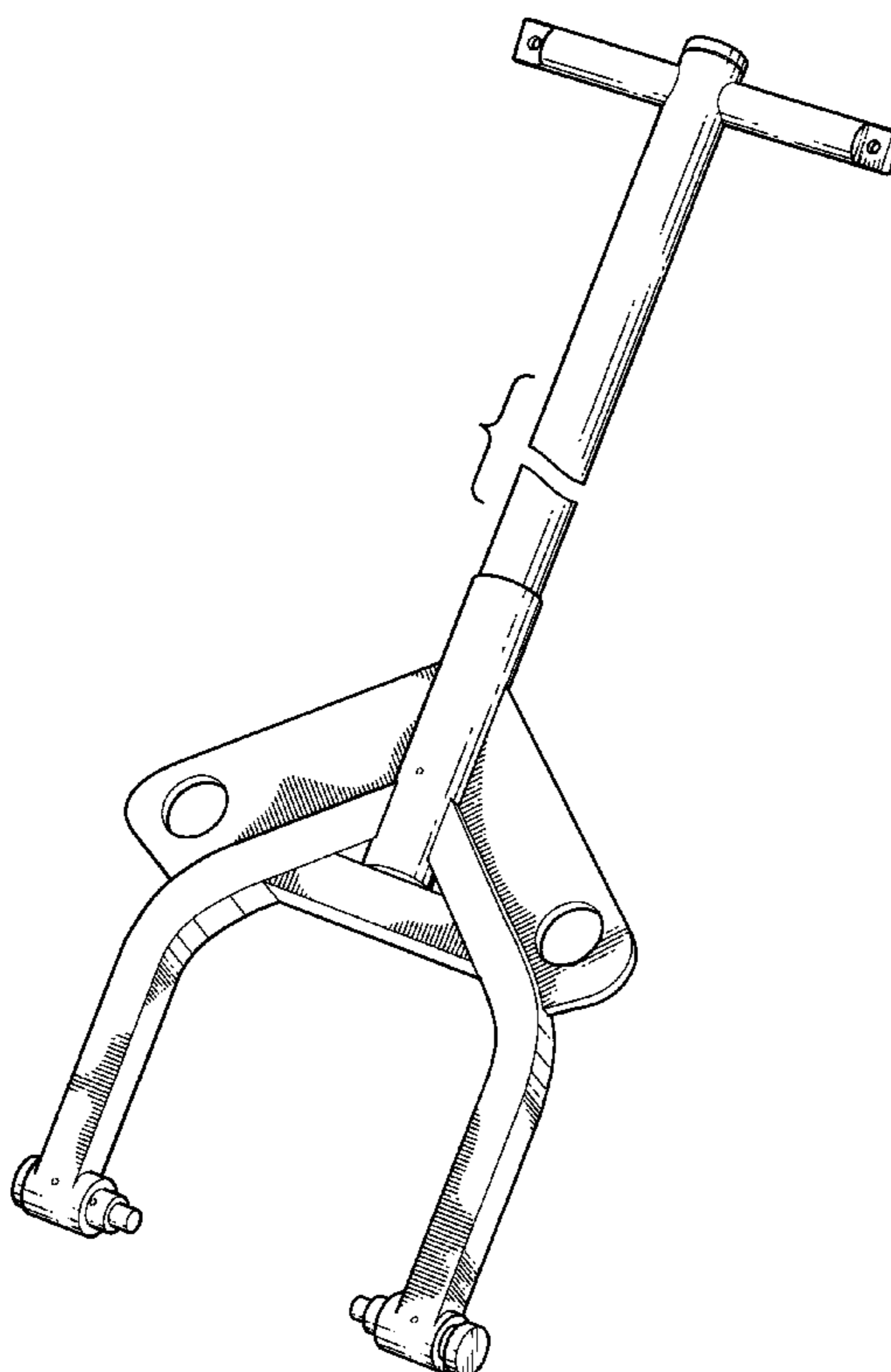
**DESCRIPTION**

USPC ..... D12/162, 159, 160, 161; 56/DIG. 14;  
37/399; 280/406.2, 407, 407.1, 408,  
280/411.1, 416.1, 416.2, 416.3, 418, 418.1,  
280/433, 434, 435, 441.1, 441.2, 455.1,  
280/456.1, 480, 493, 504, 507, 508;  
224/42.11, 42.12, 42.14, 42.26, 400,  
224/401, 412, 413, 488, 494, 500-501, 519,  
224/537; 135/88.05; 150/166

FIG. 1 is a perspective view of the aircraft tow and steering bar showing my new design;  
FIG. 2 is a front view thereof;  
FIG. 3 is a side view thereof;  
FIG. 4 is a top view thereof;  
FIG. 5 is a bottom view thereof; and,  
FIG. 6 is another perspective view thereof (dashed steering straps are not part of the claimed design).  
The breaks in the drawing figures show no specific length.

See application file for complete search history.

**1 Claim, 4 Drawing Sheets**



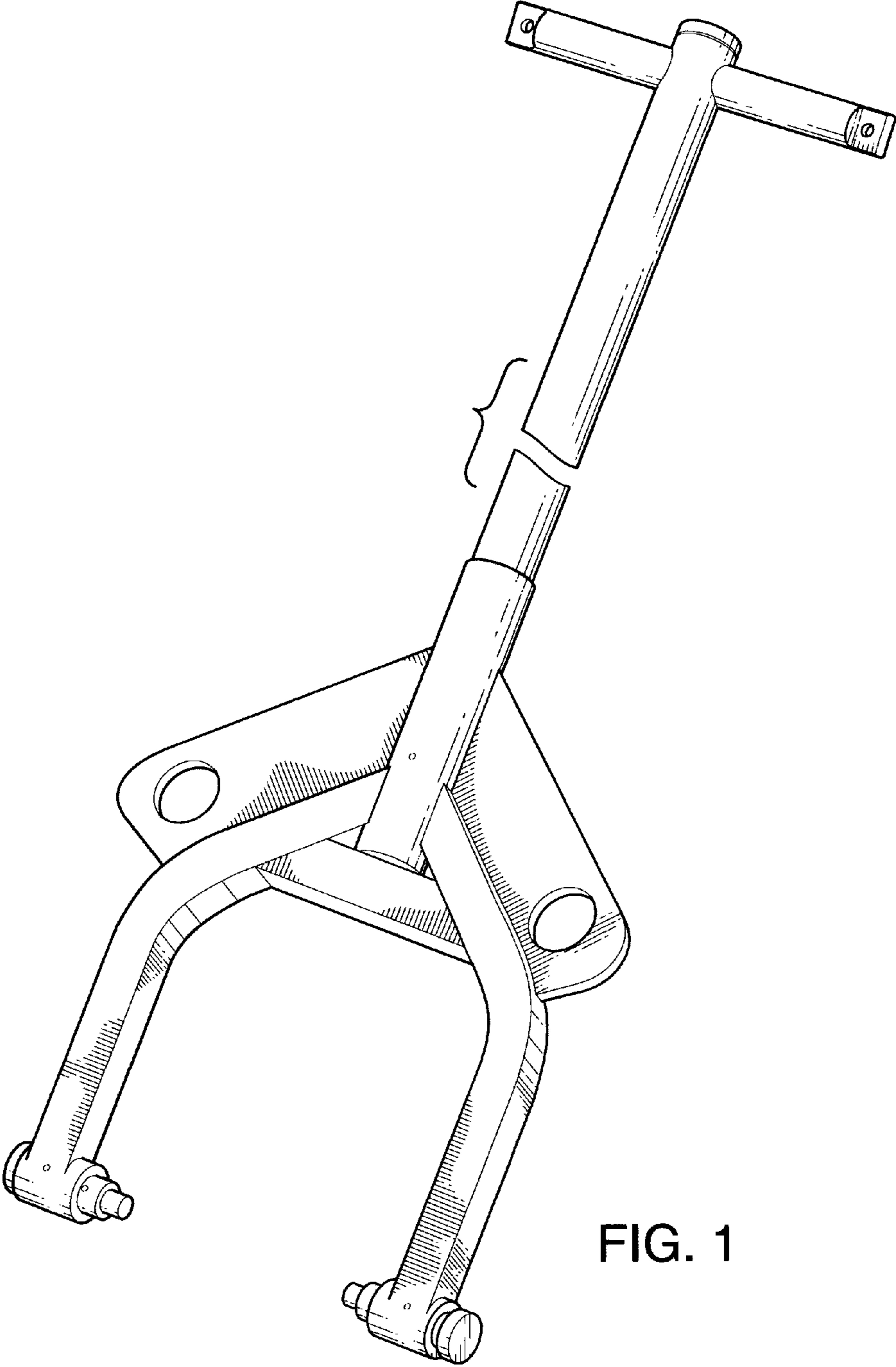


FIG. 1

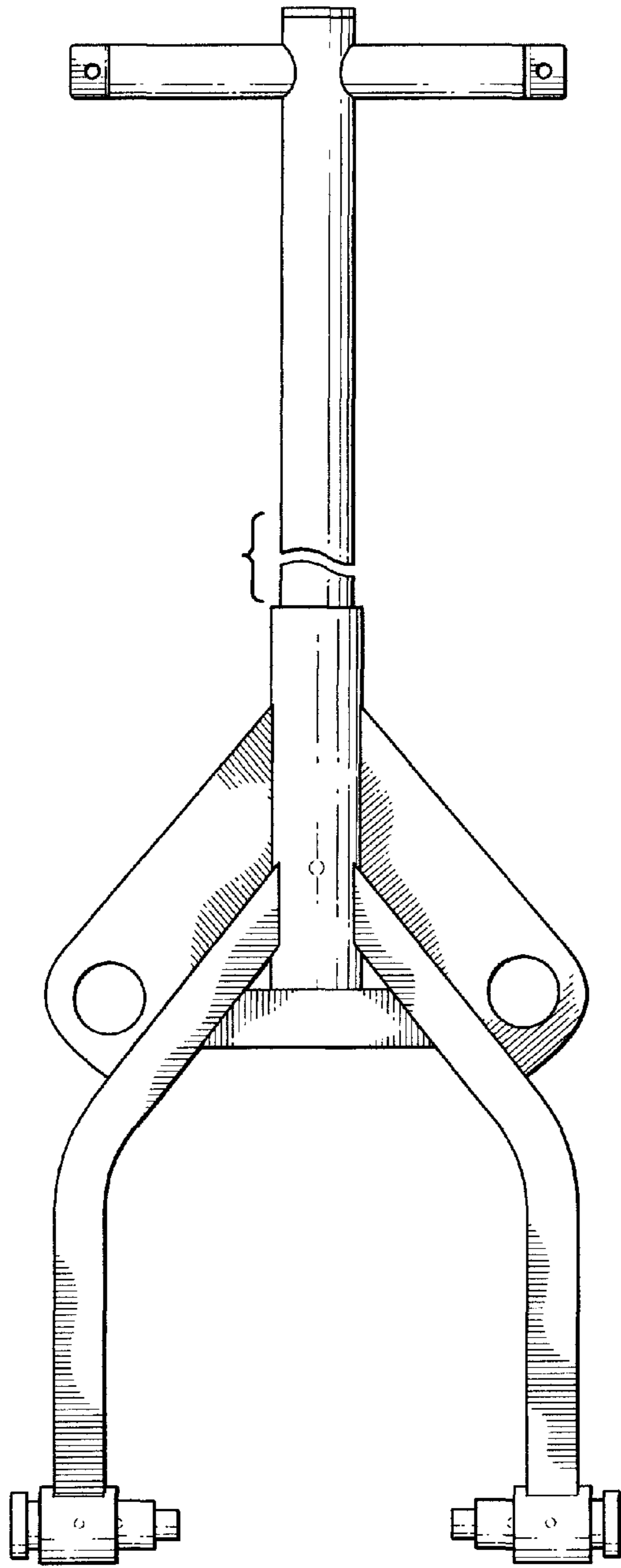


FIG. 2



FIG. 3

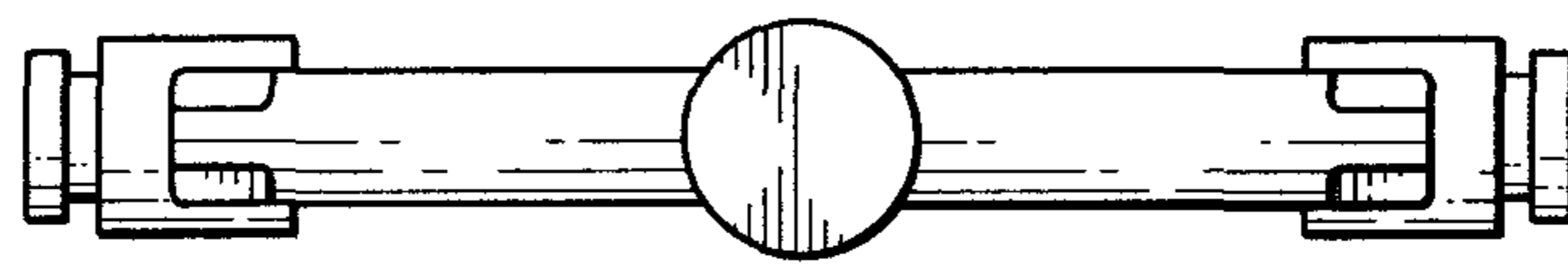


FIG. 4

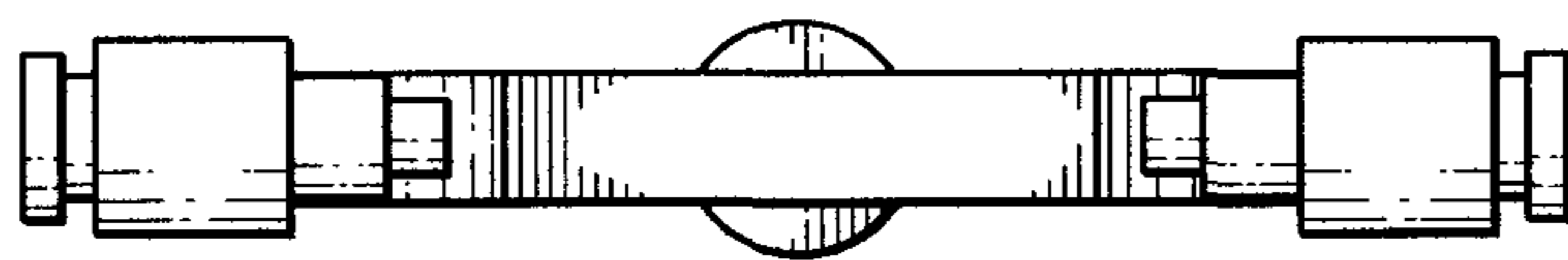


FIG. 5

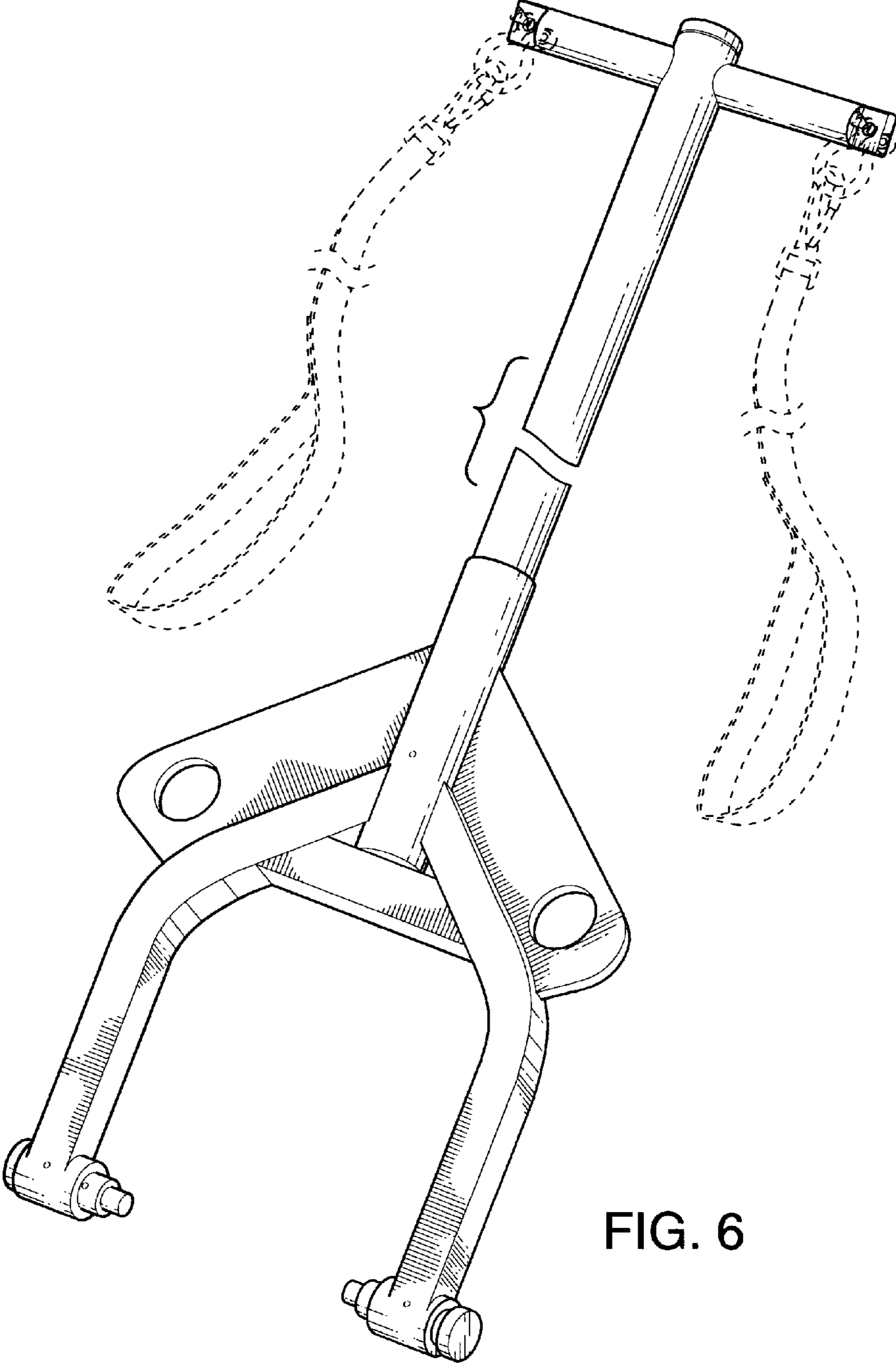


FIG. 6