



US00D692801S

(12) **United States Design Patent**
Lumpkin

(10) **Patent No.:** **US D692,801 S**

(45) **Date of Patent:** **** Nov. 5, 2013**

(54) **BICYCLE SEAT STAY**

(75) Inventor: **Wayne Lumpkin**, Littleton, CO (US)

(73) Assignee: **Alto Designs, LLC**, Englewood, CO (US)

(**) Term: **14 Years**

(21) Appl. No.: **29/429,859**

(22) Filed: **Aug. 17, 2012**

(51) **LOC (9) Cl.** **12-11**

(52) **U.S. Cl.**
USPC **D12/117**

(58) **Field of Classification Search**
USPC D12/111, 117; 280/274–280, 281.1,
280/288.1–288.3, 283–288
See application file for complete search history.

(56) **References Cited**

U.S. PATENT DOCUMENTS

D23,395 S *	6/1894	Stark	D12/111
1,056,573 A *	3/1913	Newton	280/283
D396,672 S *	8/1998	Stotsky	D12/117
D606,908 S *	12/2009	Grimaldi	D12/111
D637,527 S *	5/2011	Choi et al.	D12/111
2010/0096832 A1 *	4/2010	Pinarello	280/281.1

* cited by examiner

Primary Examiner — Susan M Lee

Assistant Examiner — Linda Brooks

(74) *Attorney, Agent, or Firm* — Swanson & Bratschun, L.L.C.

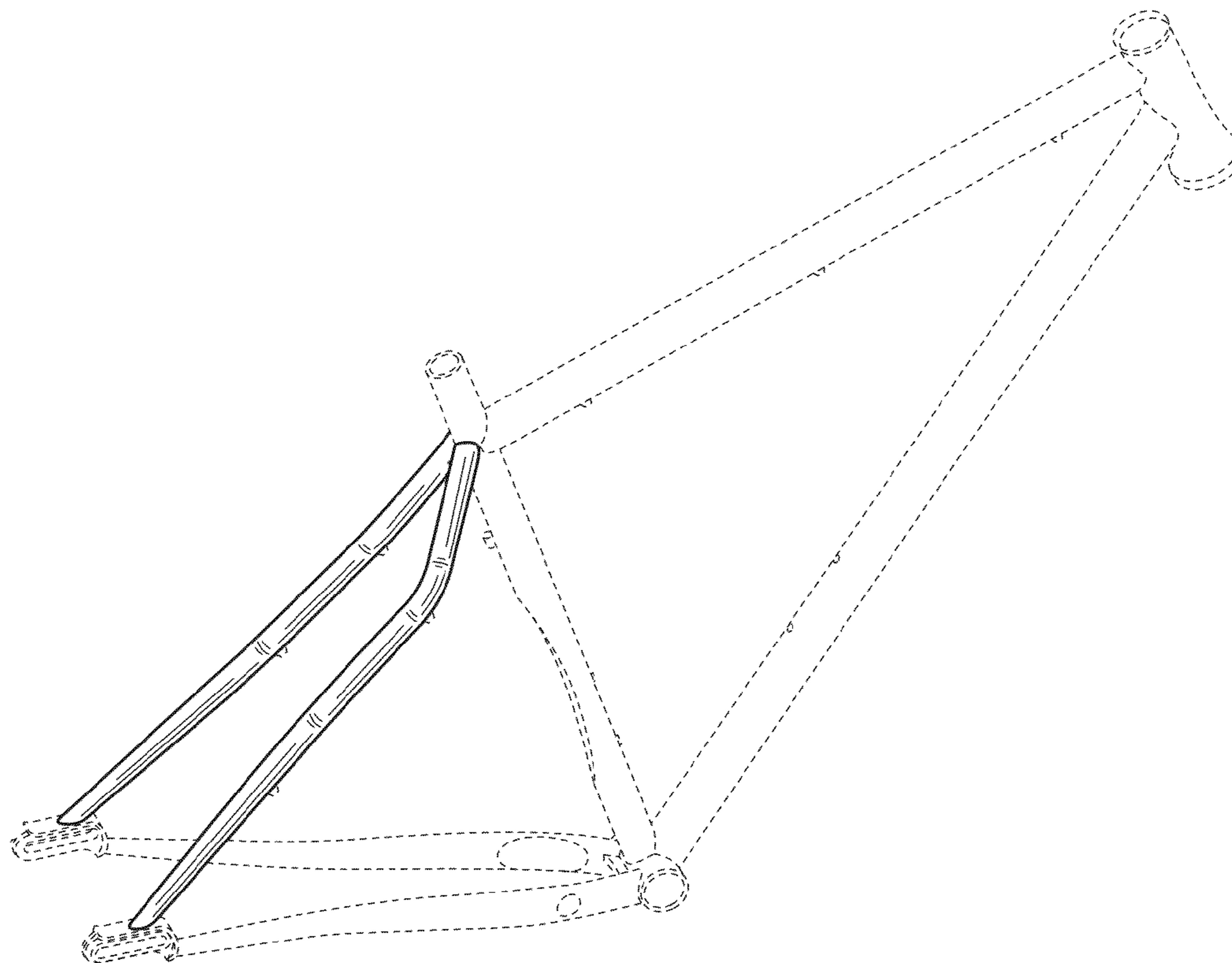
(57) **CLAIM**

The ornamental design for a bicycle seat stay, as shown and described.

DESCRIPTION

FIG. 1 is a right, rear, top perspective view of a bicycle seat stay with a remainder of a bike frame shown in broken lines; FIG. 2 is a front elevation view of the bicycle seat stay of FIG. 1 with a remainder of a bike frame shown in broken lines; FIG. 3 is a rear elevation view of the bicycle seat stay of FIG. 1 with a remainder of a bike frame shown in broken lines; FIG. 4 is a right side elevation view of the bicycle seat stay of FIG. 1 with a remainder of a bike frame shown in broken lines, the left side elevation being a mirror image thereof; FIG. 5 is a top plan view of the bicycle seat stay of FIG. 1 with a remainder of a bike frame shown in broken lines; and, FIG. 6 is a bottom plan view of the bicycle seat stay of FIG. 1 with a remainder of a bike frame shown in broken lines. The broken lines showing portions of the design in all figures is included for the purpose of illustrating environment and unclaimed features and forms not part of the claimed design.

1 Claim, 4 Drawing Sheets



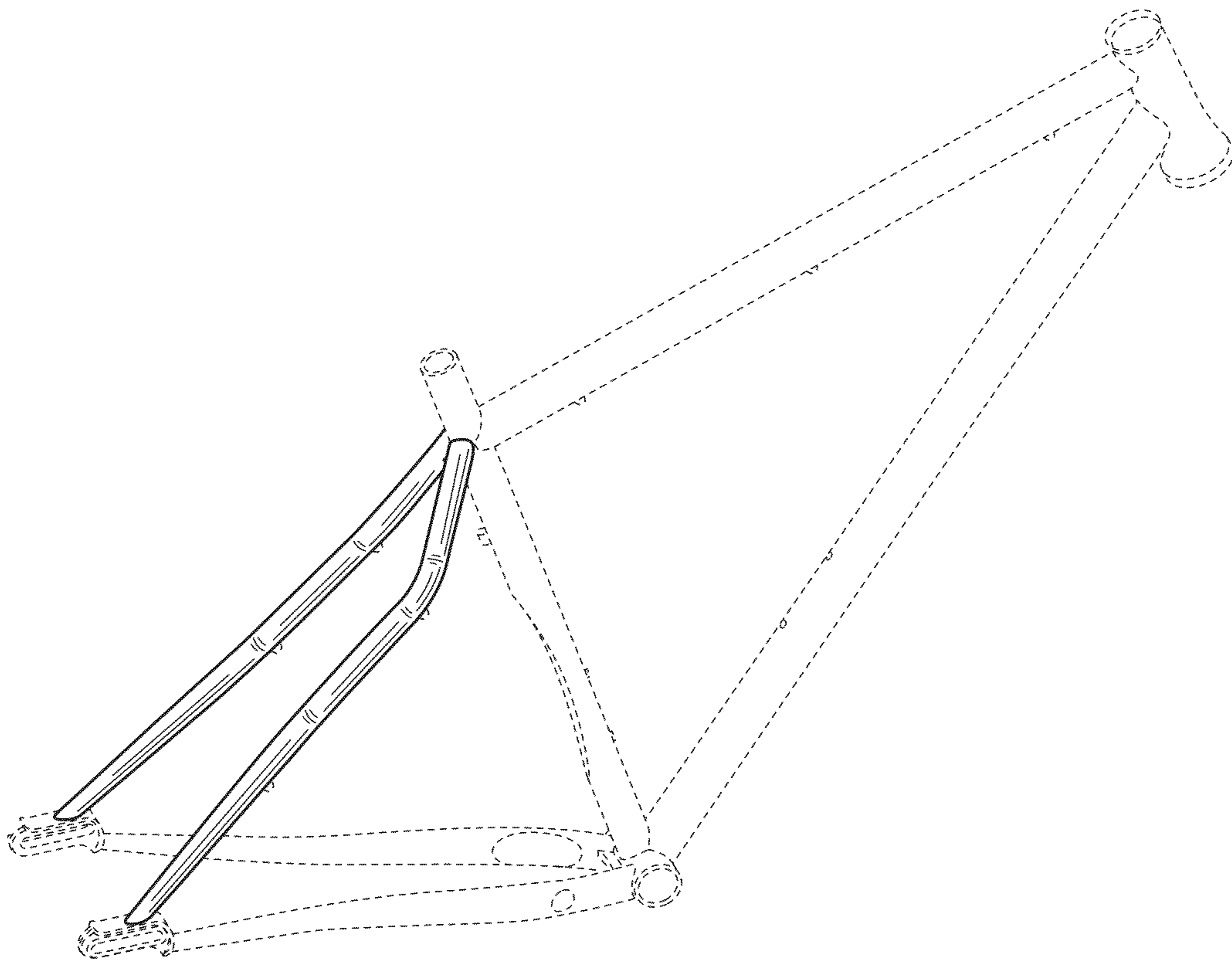


FIG. 1

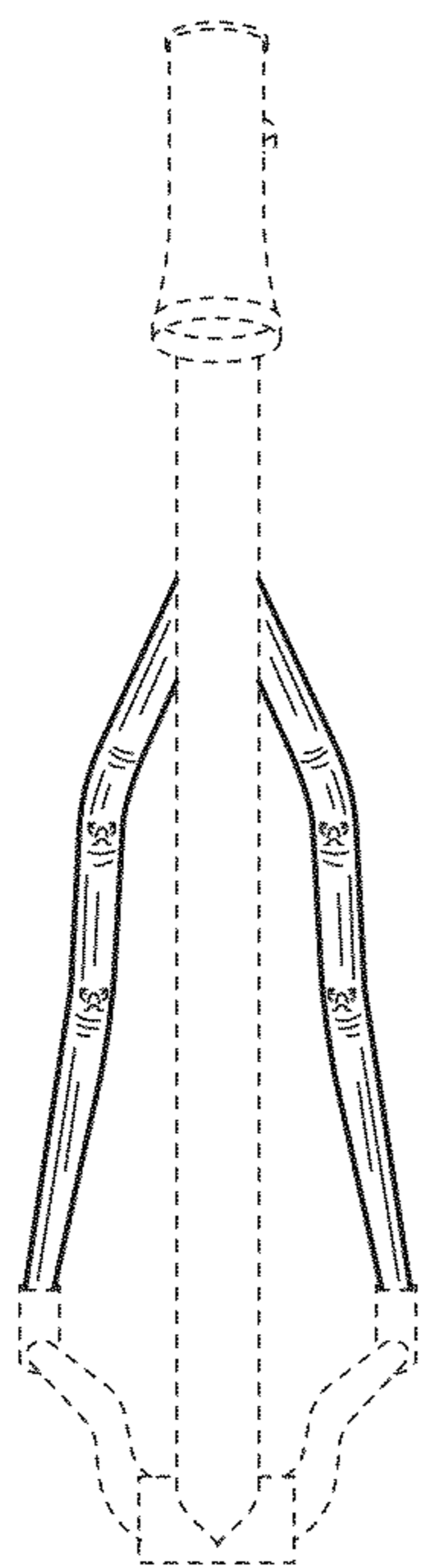


FIG. 2

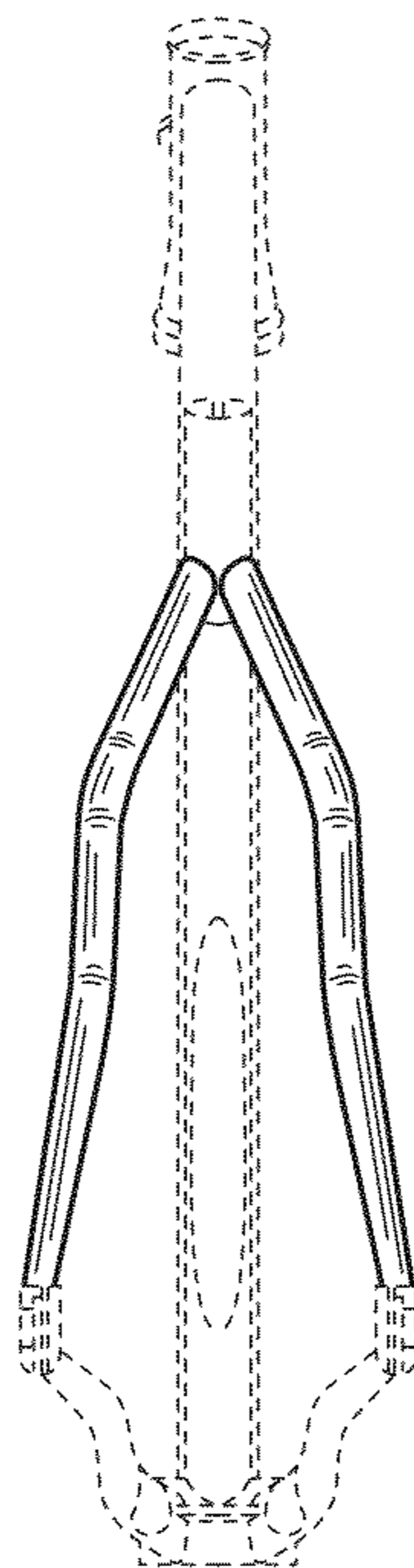


FIG. 3

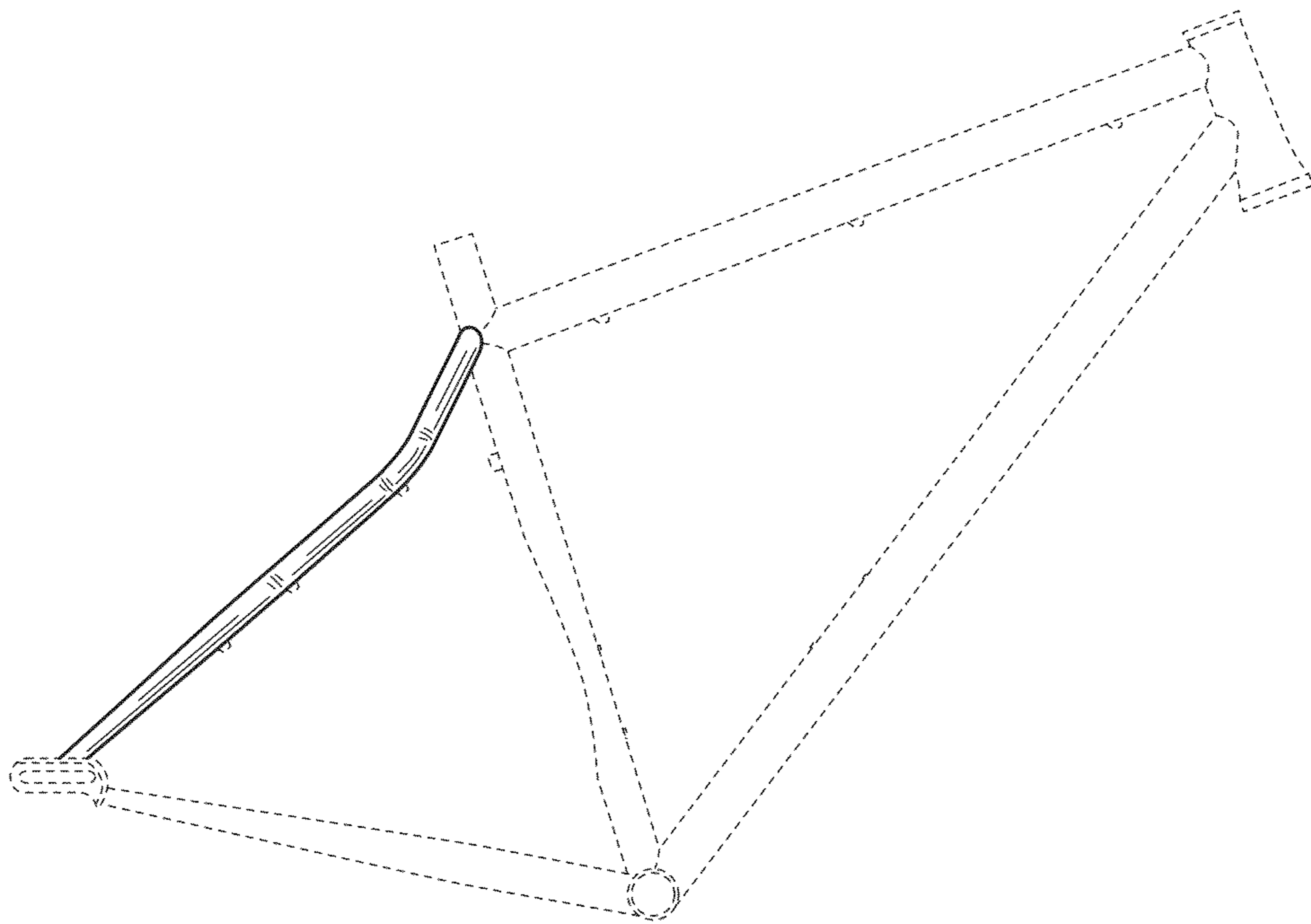


FIG.4

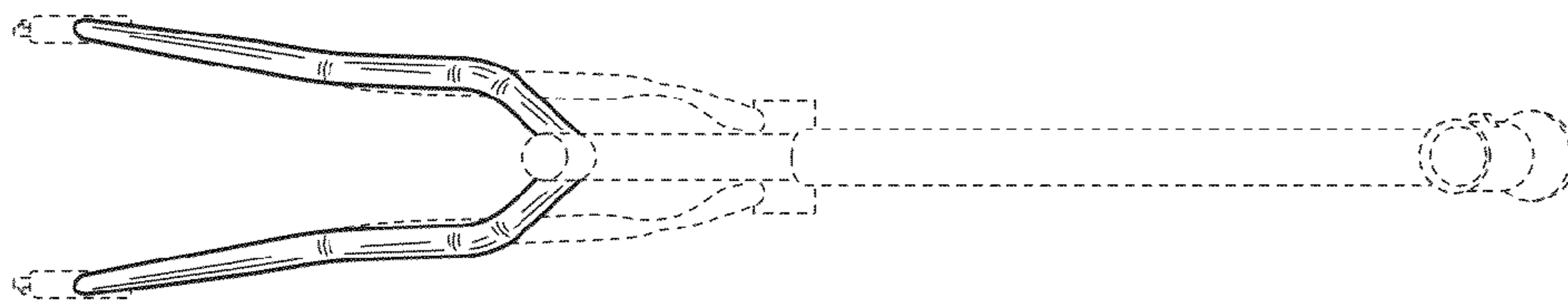


FIG.5

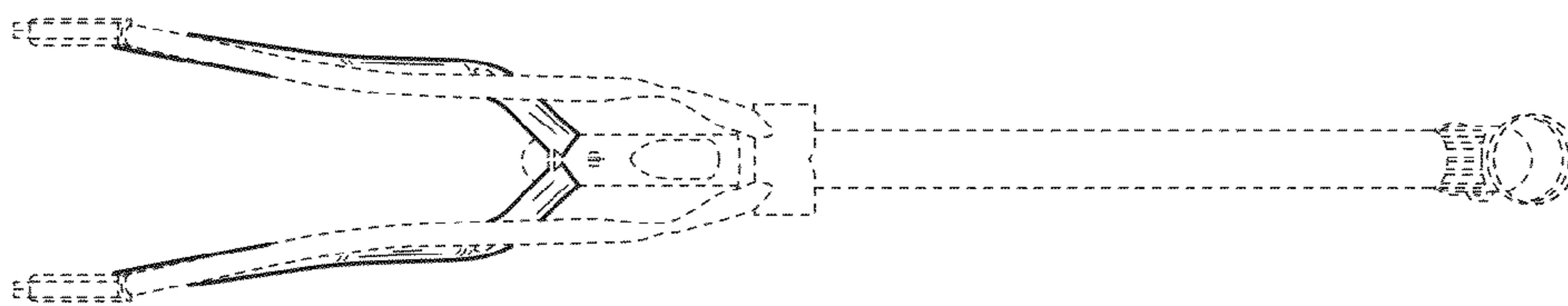


FIG.6