



US00D692800S

(12) **United States Design Patent**
Wiltshire

(10) **Patent No.:** **US D692,800 S**
(45) **Date of Patent:** **** Nov. 5, 2013**

(54) **AUTOMOBILE, TOY REPLICA AND/OR
OTHER REPLICAS**

FOREIGN PATENT DOCUMENTS

(75) Inventor: **Julian Wiltshire**, Gaydon (GB)

EM	001999848-0001	2/2001
EM	000212923-0001	4/2004
GB	3013456	7/2003
GB	3024223	4/2006

(73) Assignee: **Aston Martin Lagonda Limited**,
Gaydon (GB)

* cited by examiner

(**) Term: **14 Years**

Primary Examiner — Melody Brown

(21) Appl. No.: **29/419,449**

(74) *Attorney, Agent, or Firm* — Dorsey & Whitney LLP

(22) Filed: **Apr. 27, 2012**

(30) **Foreign Application Priority Data**

(57) **CLAIM**

The ornamental design for an automobile, toy replica and/or other replicas, as shown and described.

Apr. 26, 2012 (EM) 002033621-0001

(51) **LOC (9) Cl.** **12-08**

DESCRIPTION

(52) **U.S. Cl.**
USPC **D12/92**

(58) **Field of Classification Search**
USPC D12/86, 90-92; D21/424, 433, 434;
296/181.1, 181.5

FIG. 1 is a front isometric view of an automobile. The automobile shown in FIG. 1 can also be a model automobile, as well as a computer or other type of visual representation of an automobile.

See application file for complete search history.

FIG. 2 is a front elevation view of the automobile of FIG. 1. FIG. 3 is a rear elevation view of the automobile of FIG. 1. FIG. 4 is a right elevation view of the automobile of FIG. 1. FIG. 5 is a left elevation view of the automobile of FIG. 1; and,

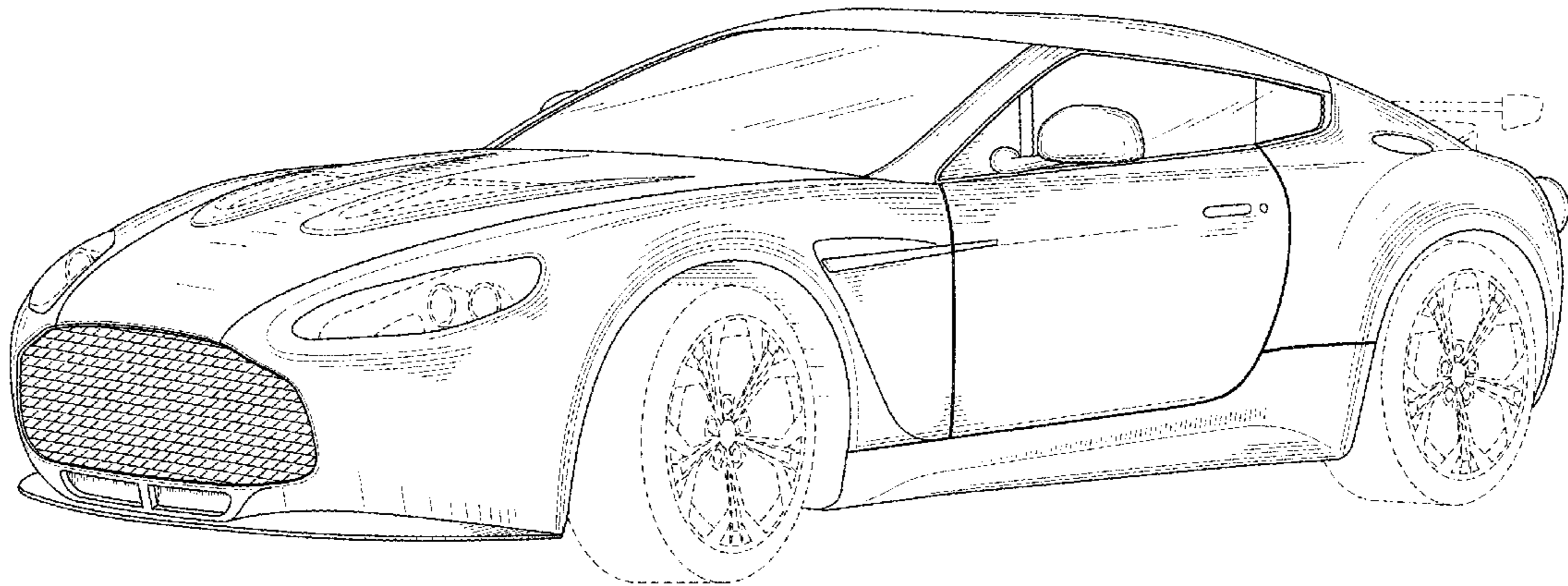
(56) **References Cited**

U.S. PATENT DOCUMENTS

D629,718 S	12/2010	Reichman et al.	
D629,720 S *	12/2010	Manzoni	D12/92
D629,725 S	12/2010	Reichman et al.	
D630,140 S	1/2011	Reichman et al.	
D663,239 S *	7/2012	Saracoglu	D12/92
D663,240 S *	7/2012	Scheinhutte	D12/92

FIG. 6 is a top plan view of the automobile of FIG. 1. The broken lines in FIGS. 1-6 represent portions of the structure of the automobile that form no part of the claimed invention.

1 Claim, 5 Drawing Sheets



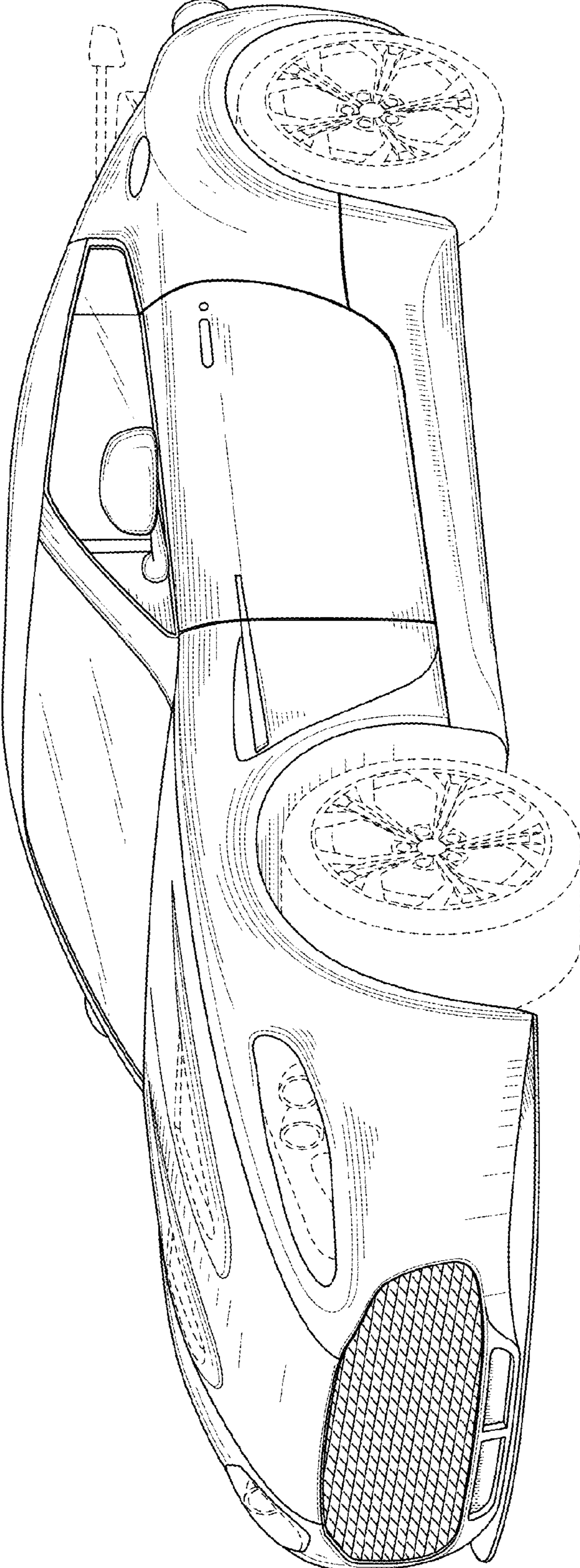


FIG. 1

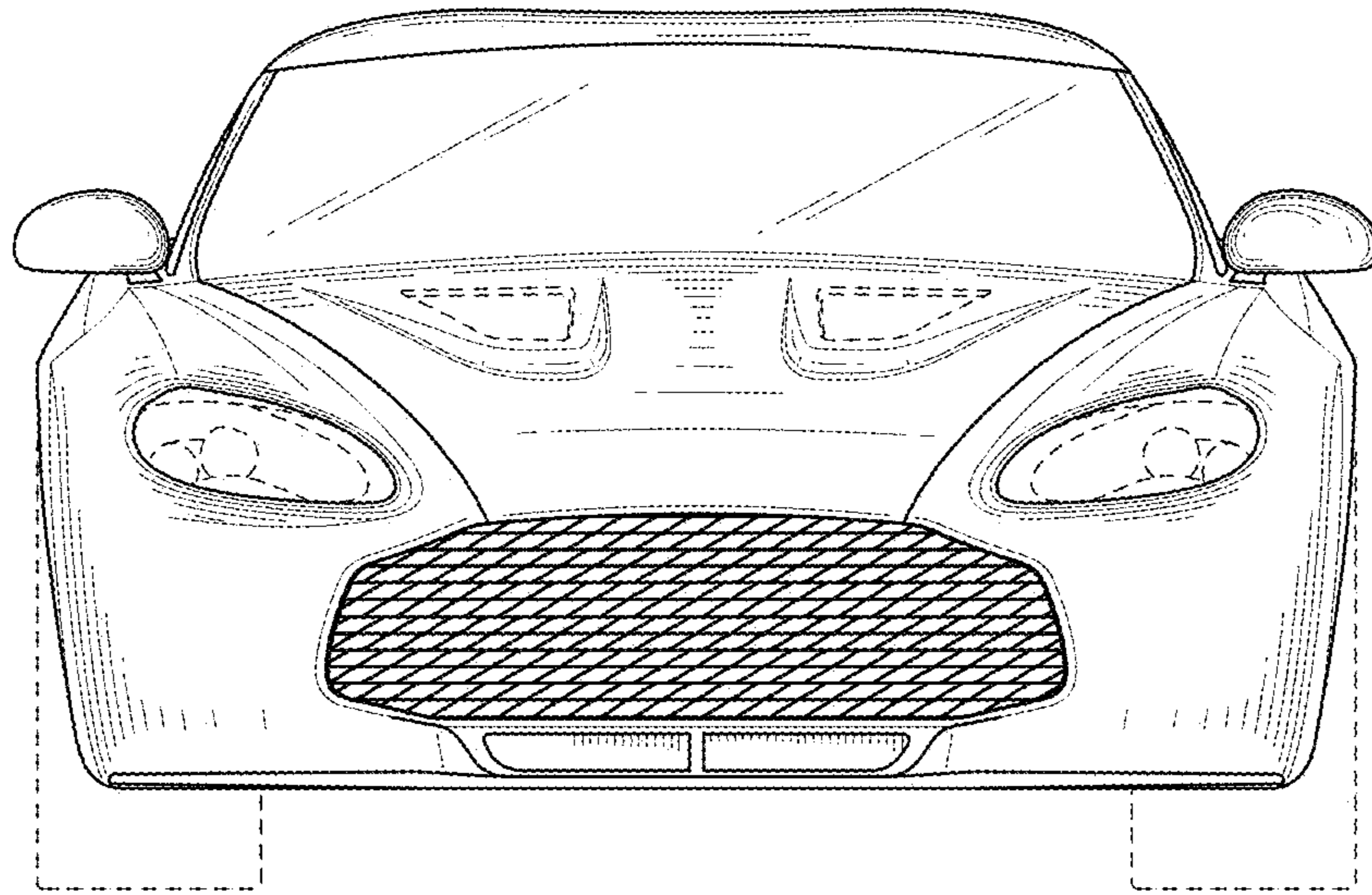


FIG. 2

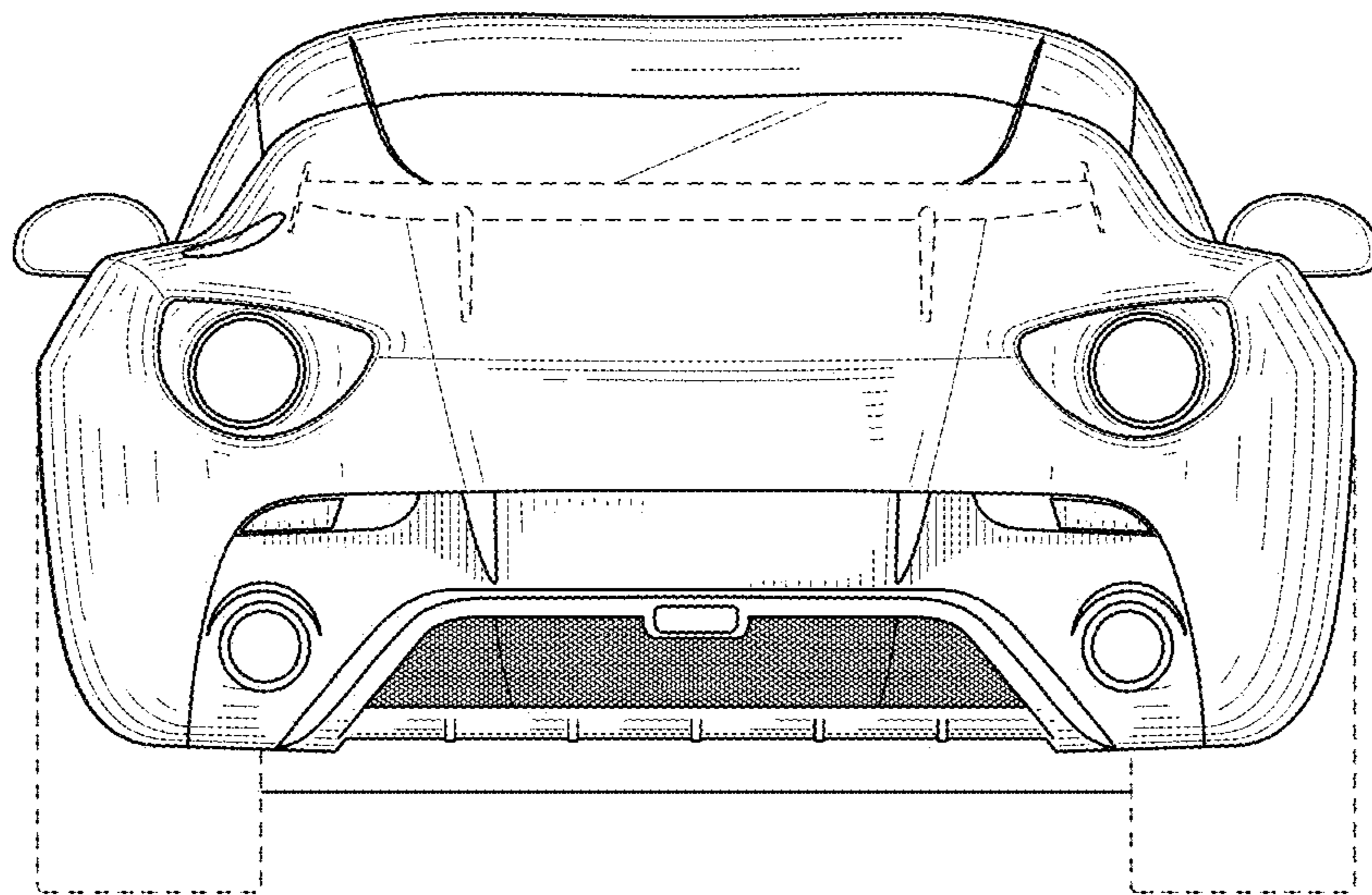


FIG. 3

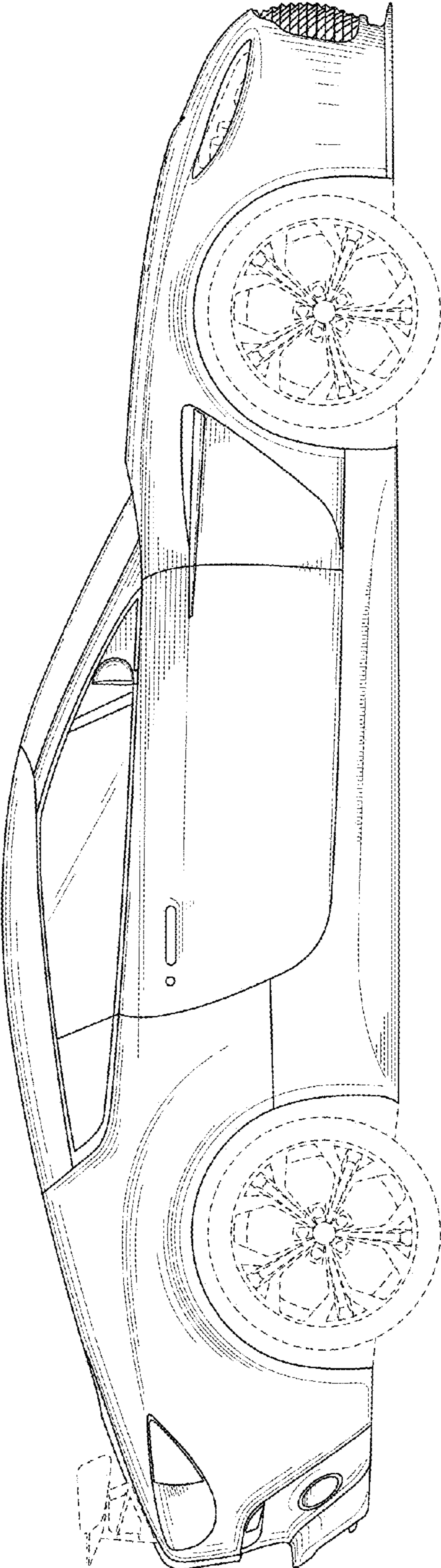


FIG. 4

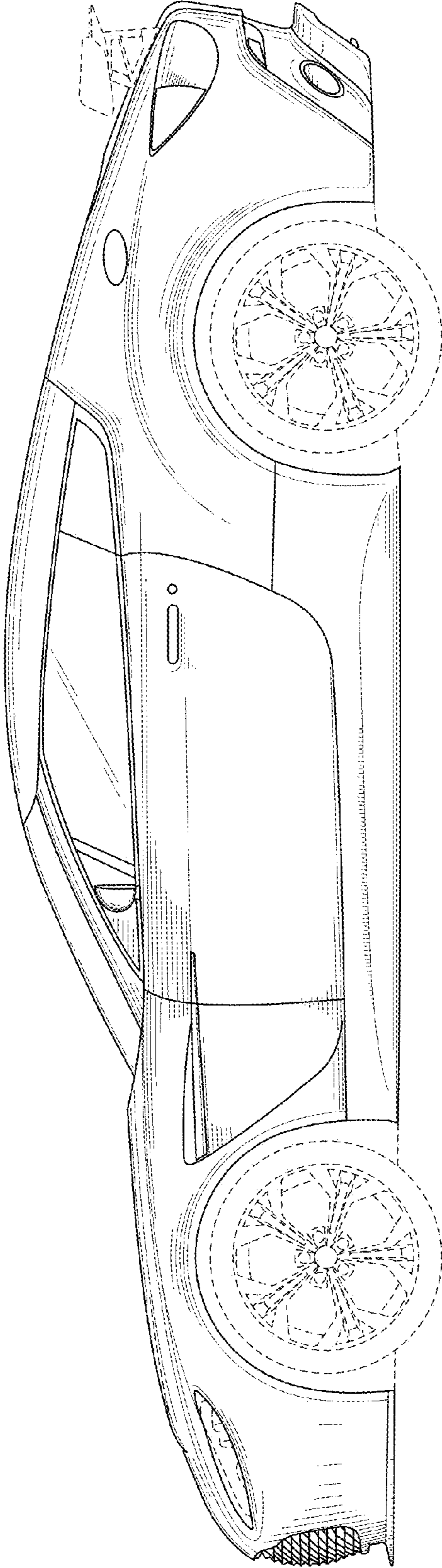


FIG. 5

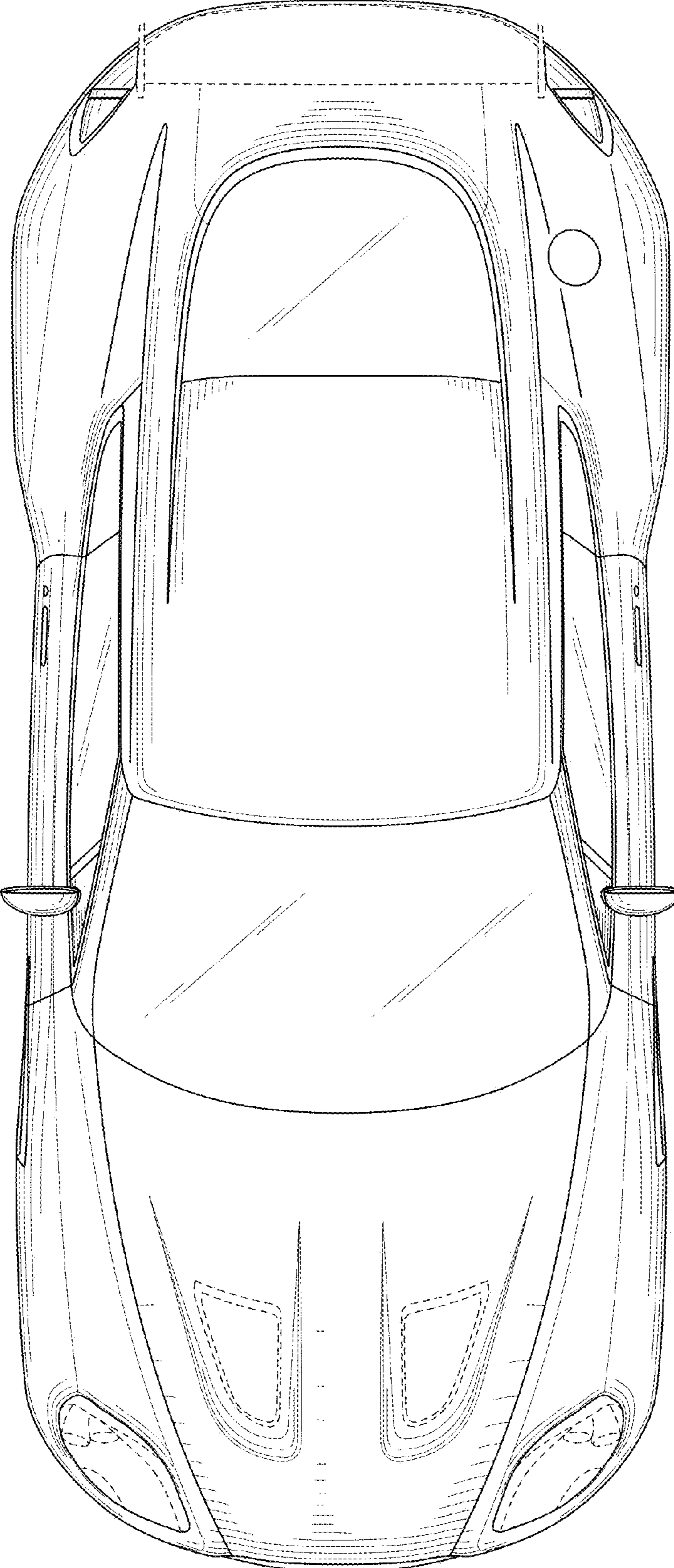


FIG. 6