



US00D692797S

(12) **United States Design Patent**
Ohnishi et al.

(10) **Patent No.:** **US D692,797 S**
(45) **Date of Patent:** **** Nov. 5, 2013**

(54) **HELICOPTER**

(71) Applicants: **Shintaro Ohnishi**, Shizuoka-ken (JP);
Ikuo Namiki, Shizuoka-ken (JP);
Masanori Yoshihara, Shizuoka-ken
(JP); **Ikuhiko Hiram**, Shizuoka-ken
(JP); **Yoshihisa Matsubara**,
Shizuoka-ken (JP)

(72) Inventors: **Shintaro Ohnishi**, Shizuoka-ken (JP);
Ikuo Namiki, Shizuoka-ken (JP);
Masanori Yoshihara, Shizuoka-ken
(JP); **Ikuhiko Hiram**, Shizuoka-ken
(JP); **Yoshihisa Matsubara**,
Shizuoka-ken (JP)

(73) Assignee: **Yamaha Hatsudoki Kabushiki Kaisha**
(JP)

(**) Term: **14 Years**

(21) Appl. No.: **29/443,504**

(22) Filed: **Jan. 18, 2013**

(30) **Foreign Application Priority Data**

Jul. 20, 2012 (JP) 2012-017299

(51) **LOC (9) Cl.** **12-07**

(52) **U.S. Cl.**
USPC **D12/16.1; D12/326; D12/328**

(58) **Field of Classification Search**
USPC D12/16.1, 319, 320, 325, 326, 327, 328,
D12/329, 345; D21/430, 436, 437, 441,
D21/442, 443, 444, 447, 450, 451, 453;
244/2, 5, 6, 7 A, 7 R, 12.1, 12.2, 17.11,
244/17.13, 17.17, 17.23, 17.25, 17.27, 23 C,
244/53 R, 60, 63; 280/1.12; 446/36, 37,
446/46-48, 230, 231, 232, 233, 236
See application file for complete search history.

(56) **References Cited**

U.S. PATENT DOCUMENTS

3,794,273	A *	2/1974	Girard	244/7 A
4,786,008	A *	11/1988	Corbett	244/53 R
4,981,456	A *	1/1991	Sato et al.	446/36
5,836,545	A *	11/1998	Arlton et al.	244/60
6,626,078	B2 *	9/2003	Thornton	89/1.13
6,691,950	B2 *	2/2004	Salesse-Lavergne	244/17.13
6,929,215	B2 *	8/2005	Arlton	244/17.11
7,068,210	B1 *	6/2006	Mitra et al.	342/63
7,178,758	B2 *	2/2007	Rehkemper	244/17.11
7,210,654	B1 *	5/2007	Cox et al.	244/63
D561,677	S *	2/2008	Wai	D12/326
D582,491	S *	12/2008	Sondors	D21/442
7,883,392	B2 *	2/2011	Van de Rostyne et al.	446/36
D633,956	S *	3/2011	Cheng	D21/442
D635,199	S *	3/2011	Yuen	D21/442
7,946,526	B2 *	5/2011	Zimet	244/17.19
2002/0109044	A1 *	8/2002	Rock	244/17.23
2010/0022157	A1 *	1/2010	Van De Rostyne et al.	446/37
2010/0181416	A1 *	7/2010	Sakamoto et al.	244/17.21
2011/0253831	A1 *	10/2011	Cheng	244/17.21

* cited by examiner

Primary Examiner — Caron D Veynar

Assistant Examiner — Martie K Holtje

(74) *Attorney, Agent, or Firm* — Ostrolenk Faber LLP

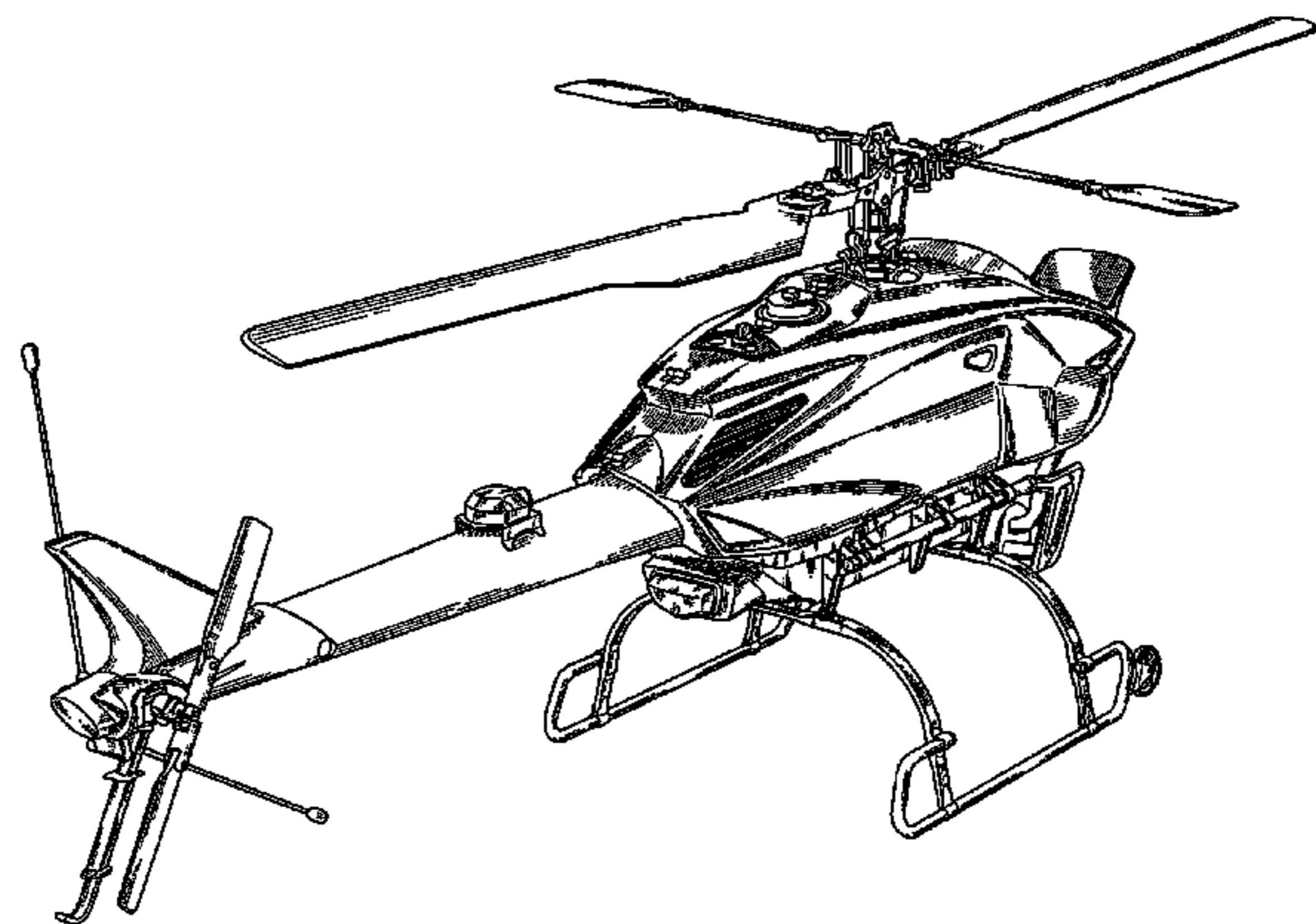
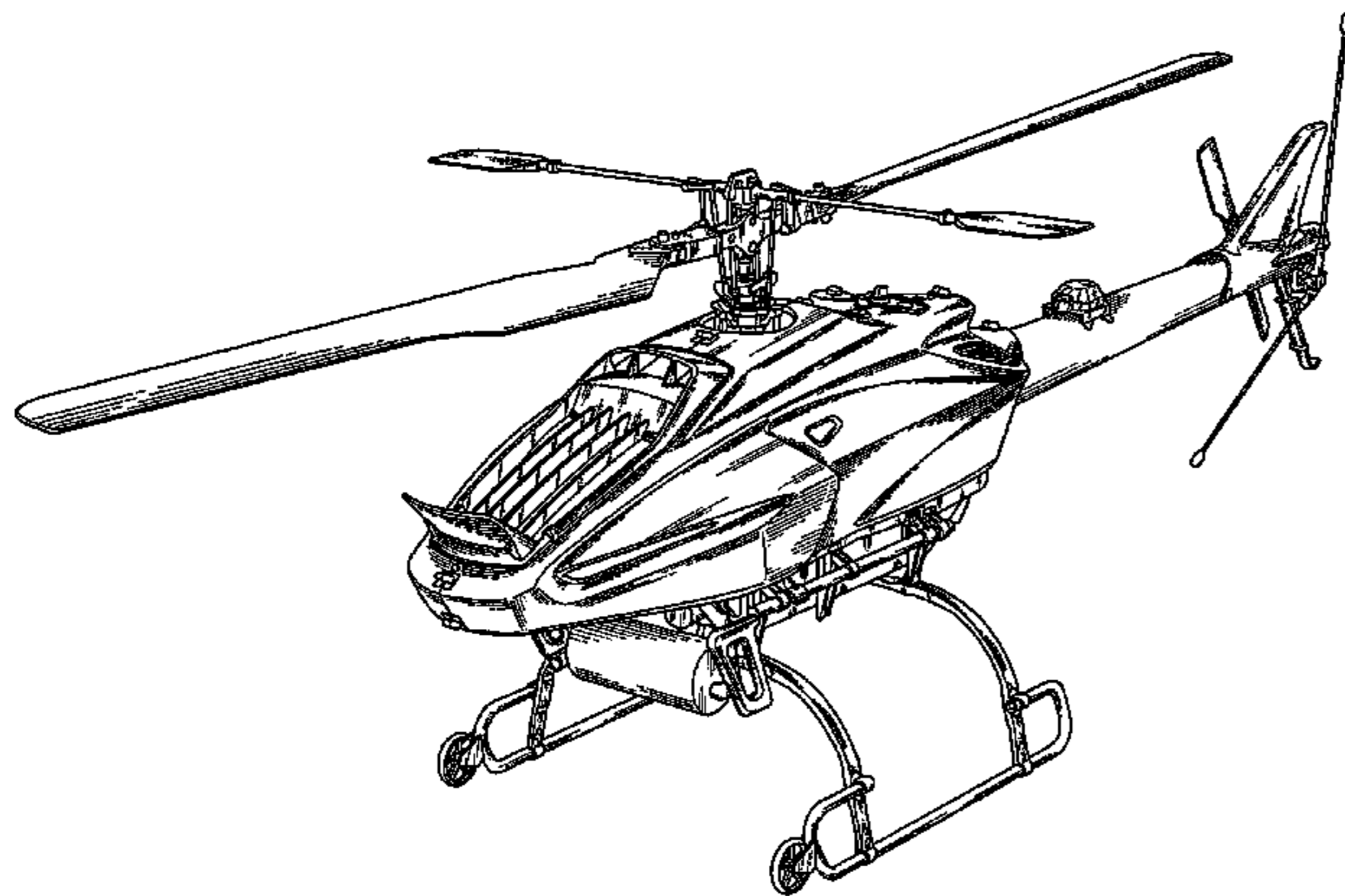
(57) **CLAIM**

The ornamental design for a helicopter, as shown and described.

DESCRIPTION

FIG. 1 is a front, top, perspective view of a helicopter showing our new design;
FIG. 2 is a rear perspective view thereof;
FIG. 3 is a left side view thereof;
FIG. 4 is a right side view thereof;
FIG. 5 is a front view thereof;
FIG. 6 is a rear view thereof;
FIG. 7 is a top view thereof; and,
FIG. 8 is a bottom view thereof.

1 Claim, 8 Drawing Sheets



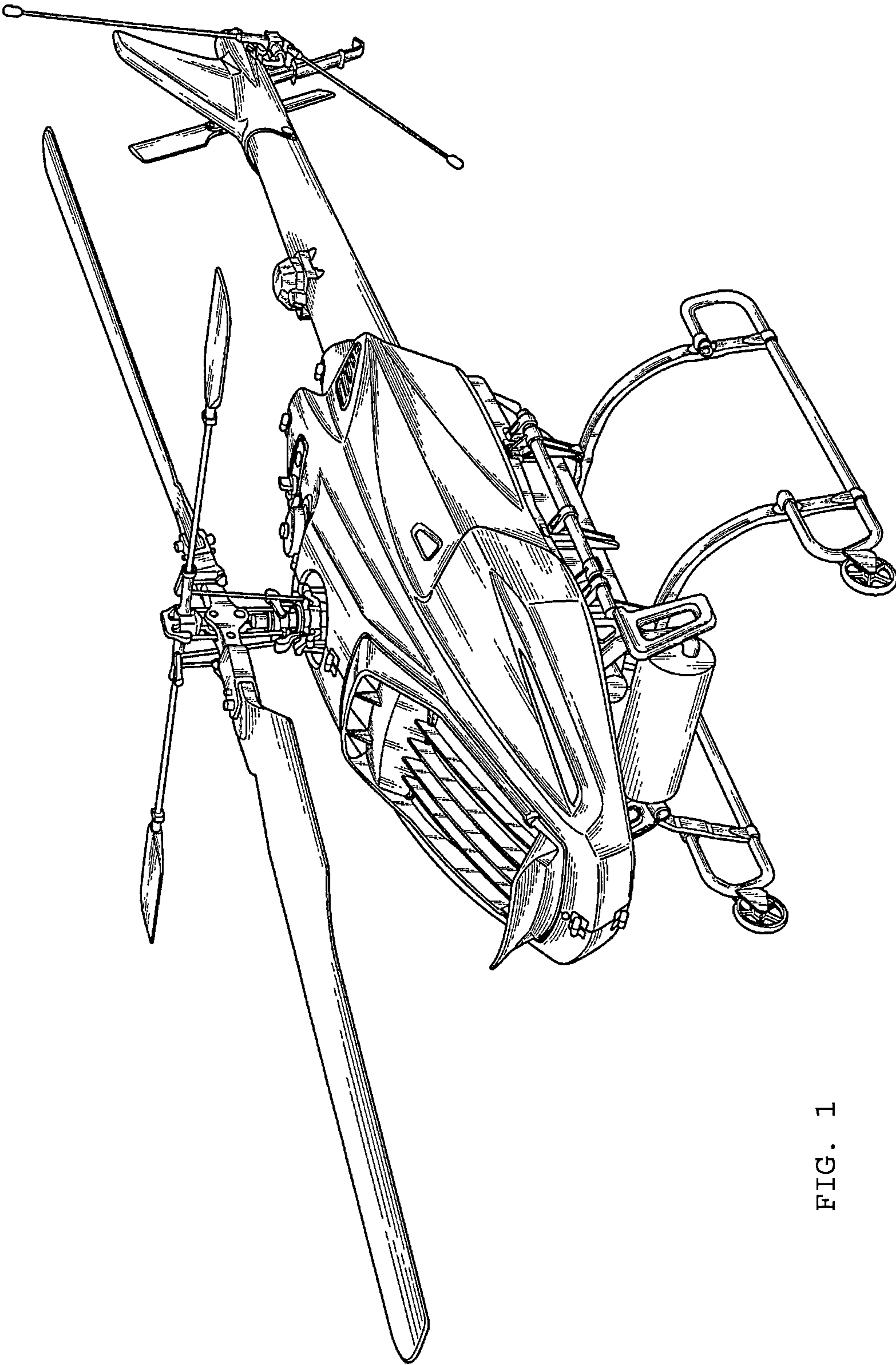


FIG. 1

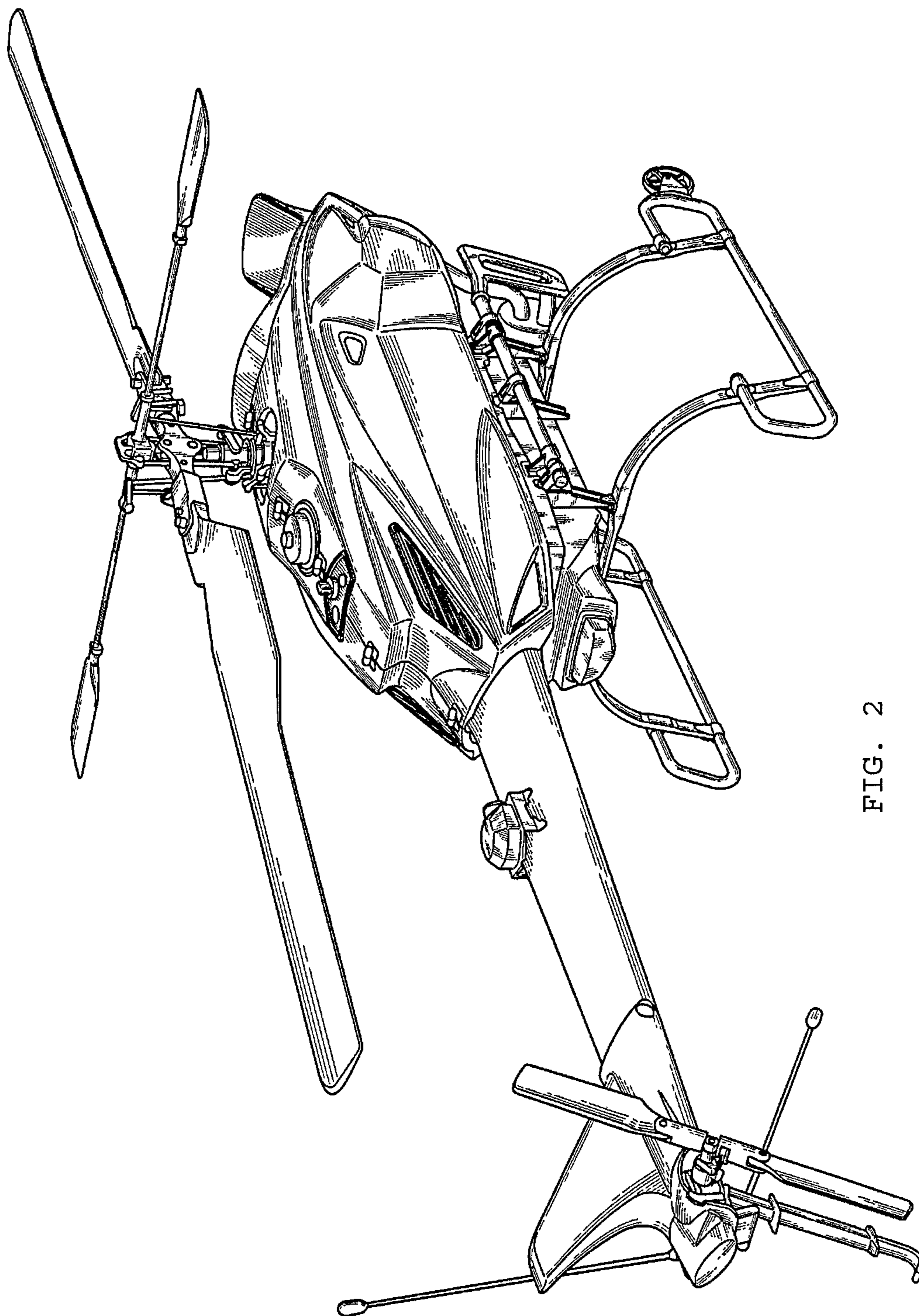


FIG. 2

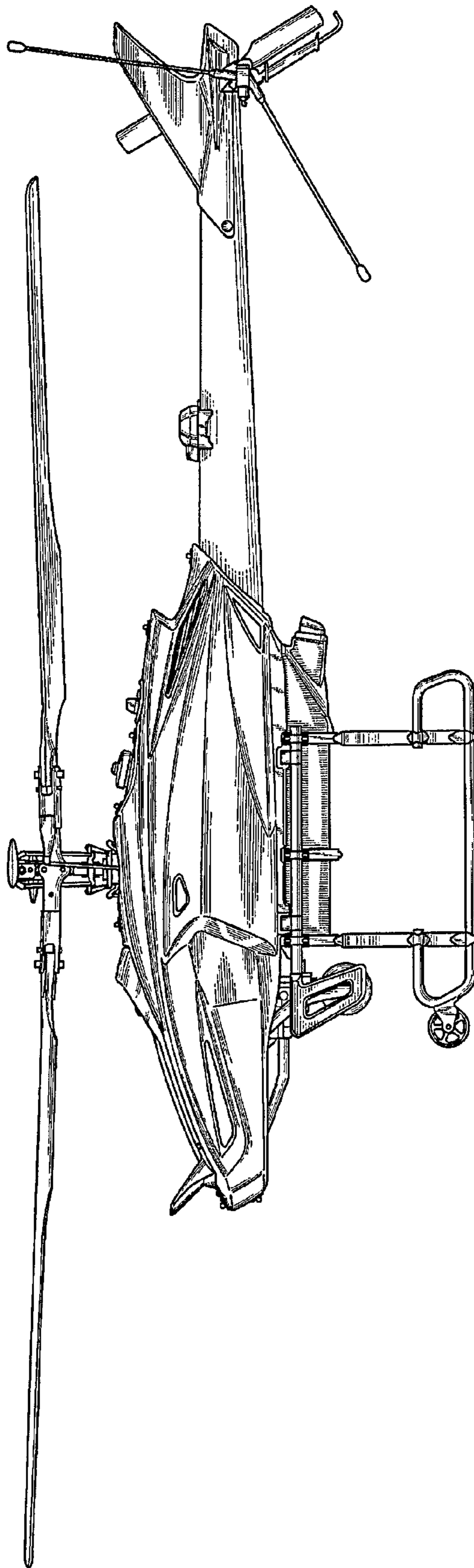


FIG. 3

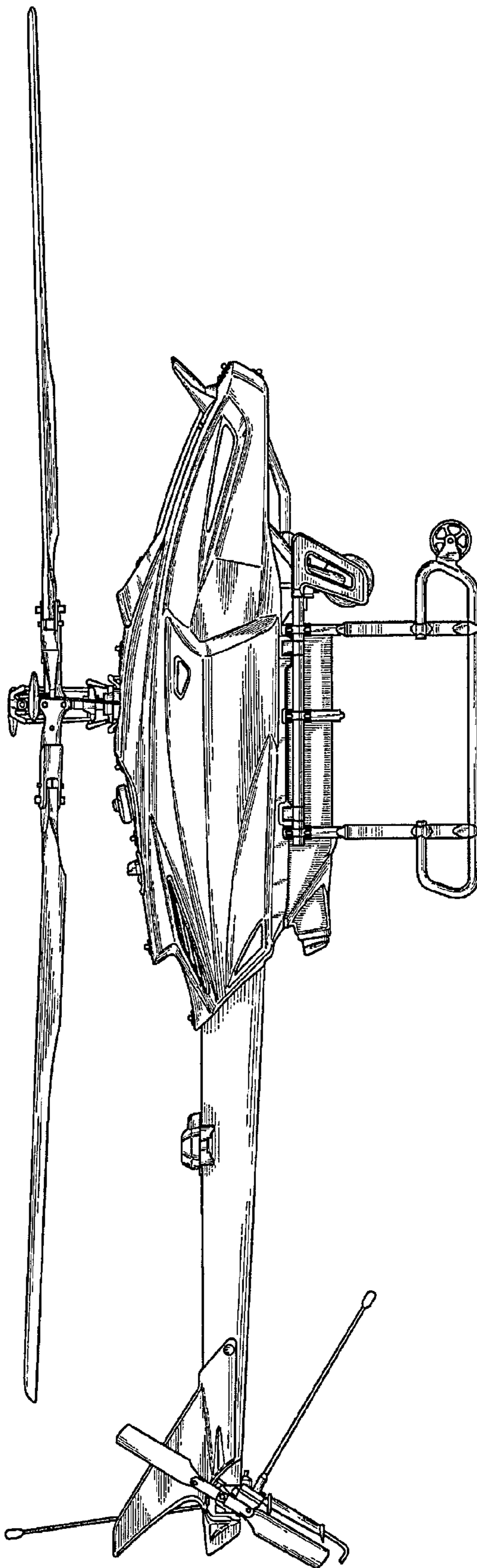


FIG. 4

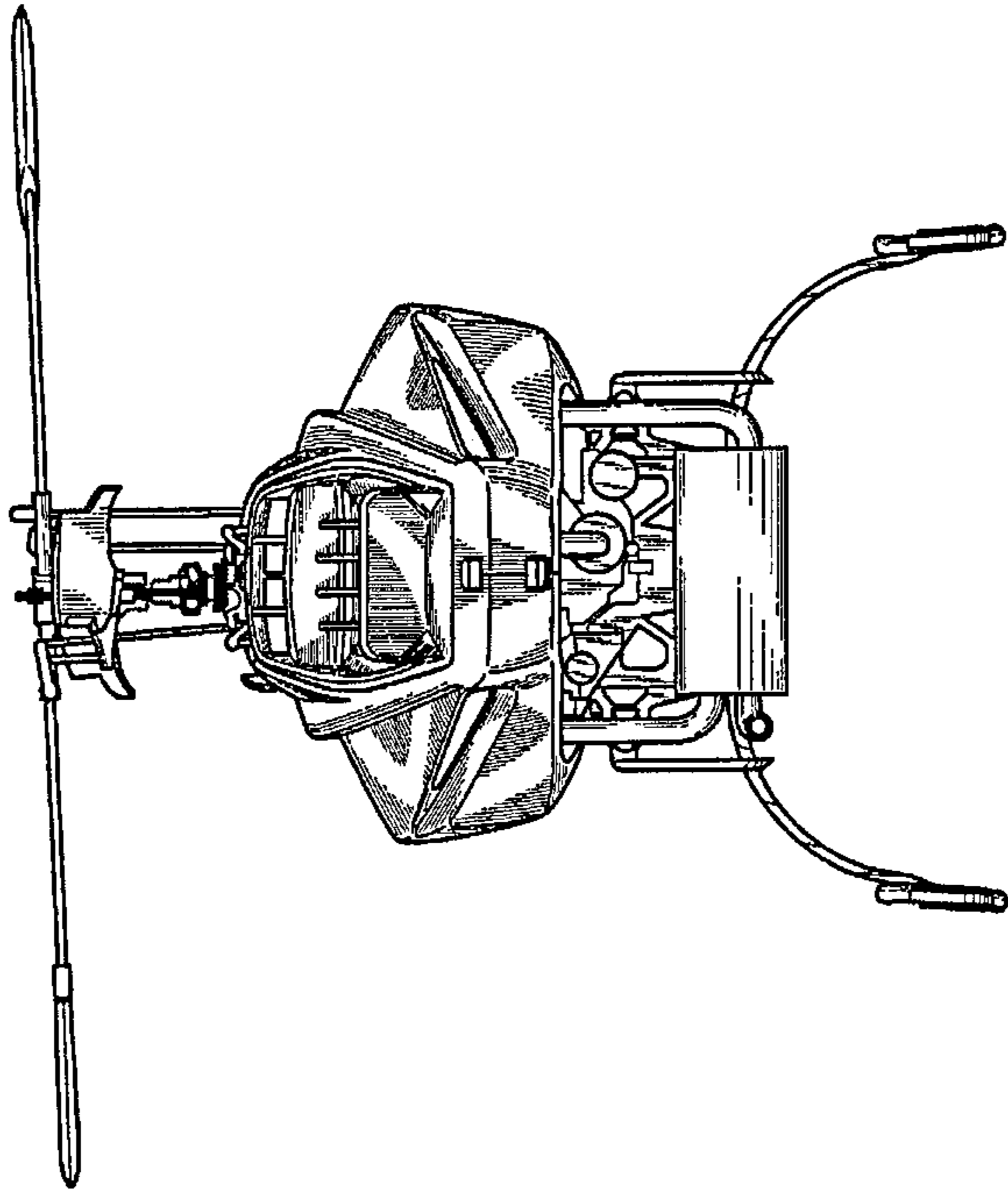


FIG. 5

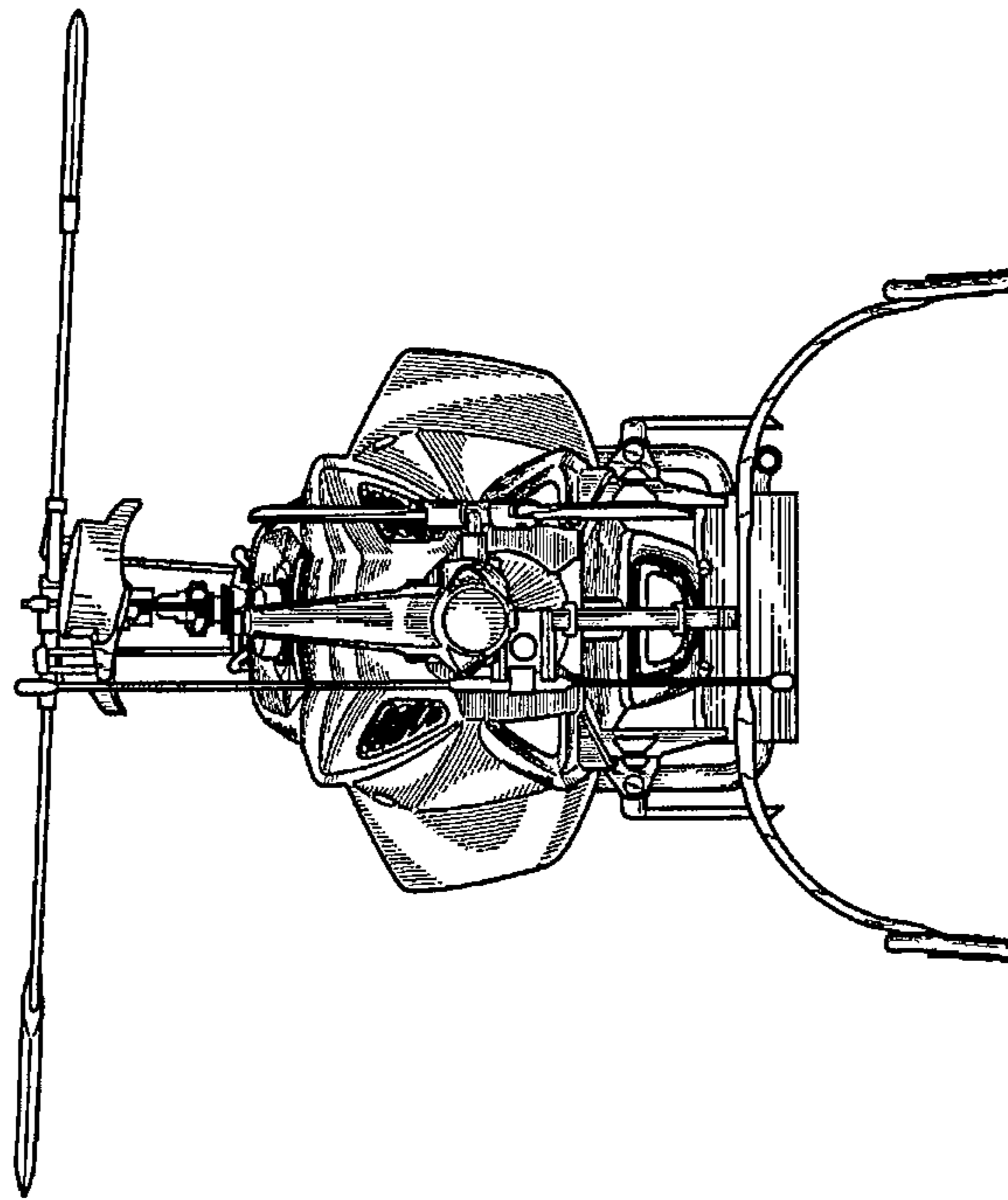


FIG. 6

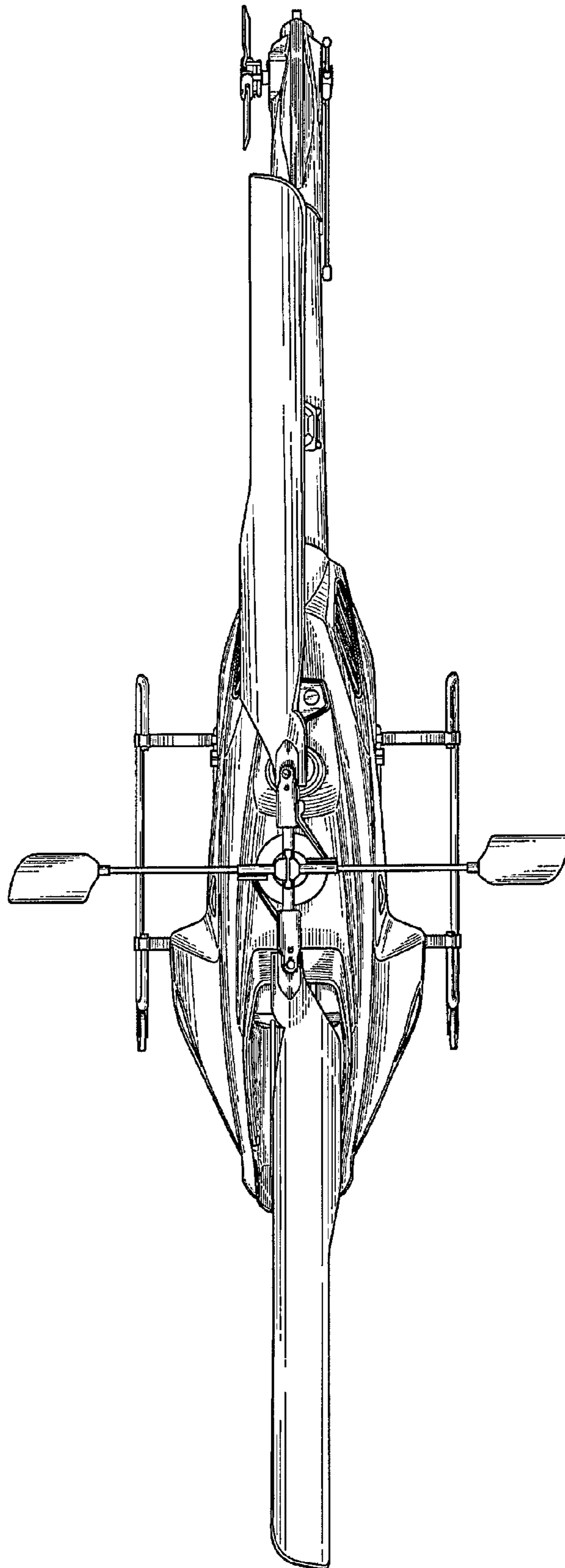


FIG. 7

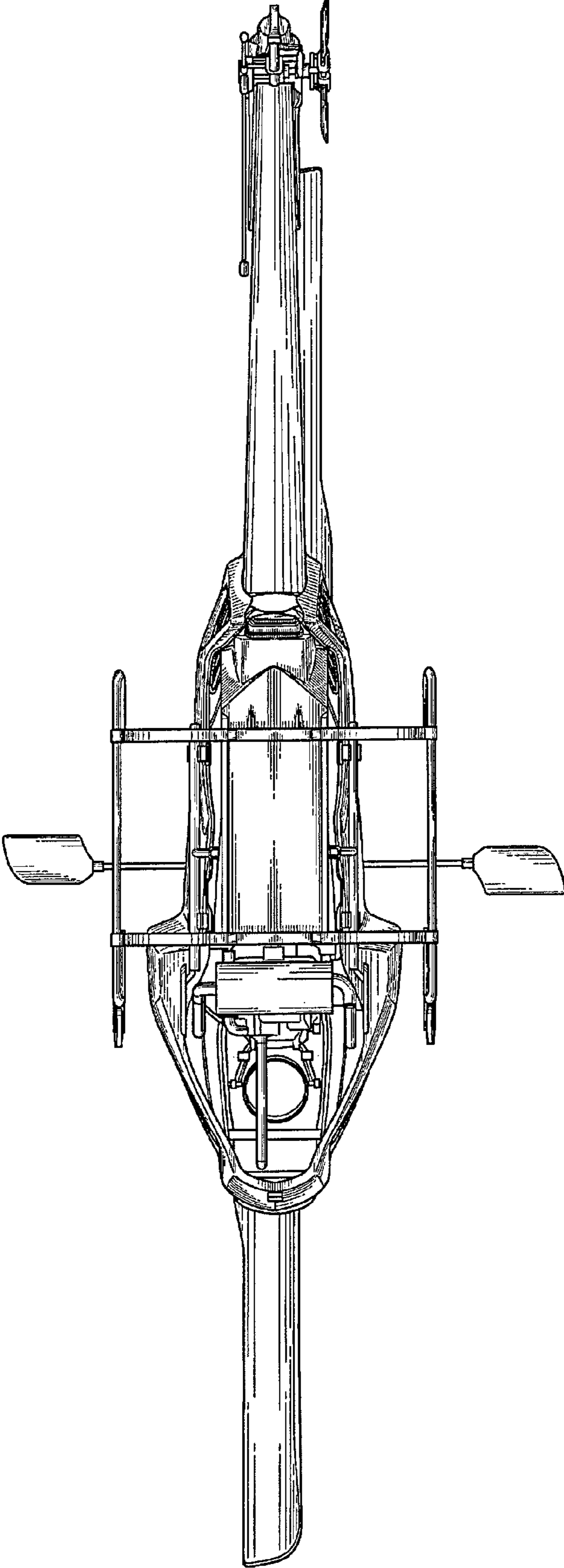


FIG. 8