

US00D692796S

(12) **United States Design Patent**  
**Medsker**

(10) **Patent No.:** **US D692,796 S**  
(45) **Date of Patent:** **\*\* Nov. 5, 2013**

- (54) **PULL TAB APPARATUS**
- (71) Applicant: **Thomas T. Medsker**, Fredericksburg, VA (US)
- (72) Inventor: **Thomas T. Medsker**, Fredericksburg, VA (US)
- (\*\*) Term: **14 Years**
- (21) Appl. No.: **29/450,787**
- (22) Filed: **Mar. 22, 2013**
- (51) **LOC (9) Cl.** ..... **02-07**
- (52) **U.S. Cl.**  
USPC ..... **D11/221; D2/642**
- (58) **Field of Classification Search**  
USPC ..... D11/200, 201, 221; 24/381–383, 24/385–387, 414–417, 421–422, 427–431, 24/433, 424; 2/265; D2/641, 642; 294/3.6; 223/118  
See application file for complete search history.

- D558,090 S \* 12/2007 Yang ..... D11/221
- 7,454,819 B2 11/2008 Wu
- D602,811 S \* 10/2009 Batista ..... D11/221
- D651,125 S \* 12/2011 Pontaoe et al. .... D11/221
- 8,205,306 B2 6/2012 Kovach et al.

\* cited by examiner

*Primary Examiner* — Ralf Seifert  
(74) *Attorney, Agent, or Firm* — Jeffrey D. Carter

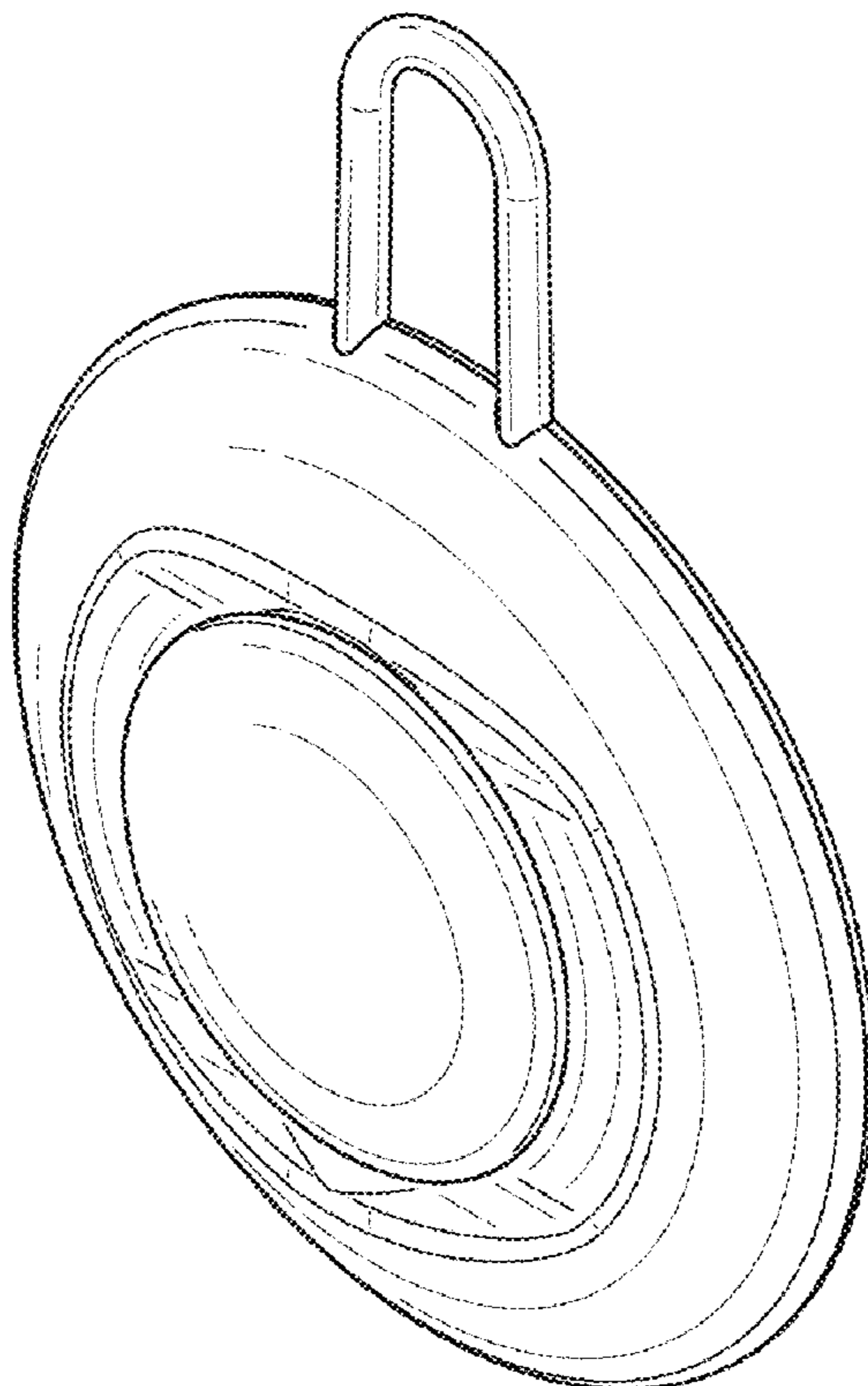
(57) **CLAIM**  
The ornamental design of a pull tab apparatus, as shown and described.

**DESCRIPTION**

FIG. 1 is a perspective view of the pull tab apparatus of the present invention;  
FIG. 2 is another perspective view thereof;  
FIG. 3 is a front view thereof;  
FIG. 4 is a rear view thereof;  
FIG. 5 is a left side view thereof;  
FIG. 6 is a right side view thereof;  
FIG. 7 is a top view thereof; and,  
FIG. 8 is a bottom view thereof.  
The disclosed pull tab apparatus may be used in various applications, including in connection with any type of slide fastener, and/or other applications.

- (56) **References Cited**  
U.S. PATENT DOCUMENTS  
D320,957 S \* 10/1991 Yuki ..... D11/221  
D482,987 S \* 12/2003 Ritter ..... D11/221  
7,213,306 B2 5/2007 Medsker

**1 Claim, 6 Drawing Sheets**



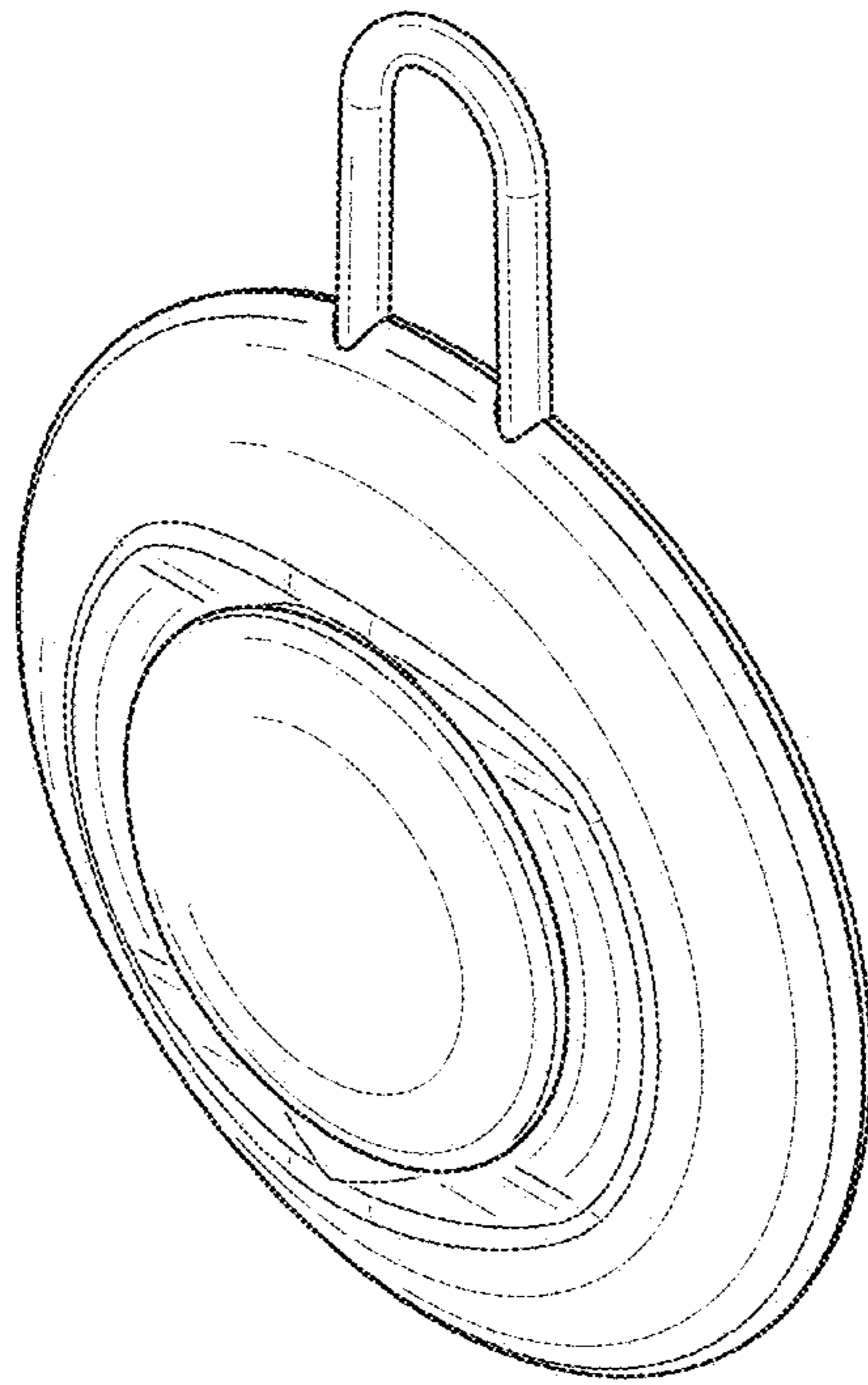


FIG. 1

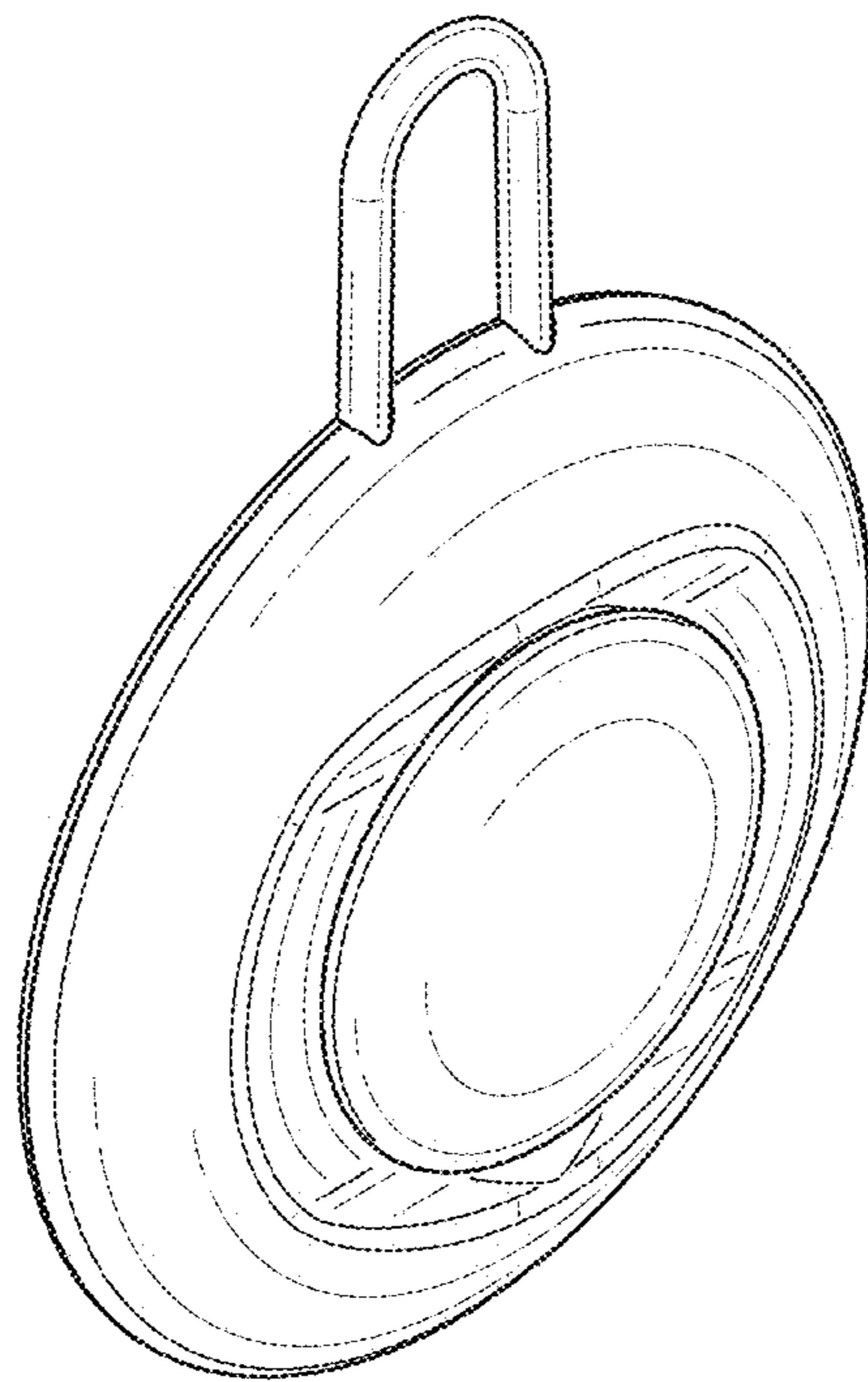


FIG. 2

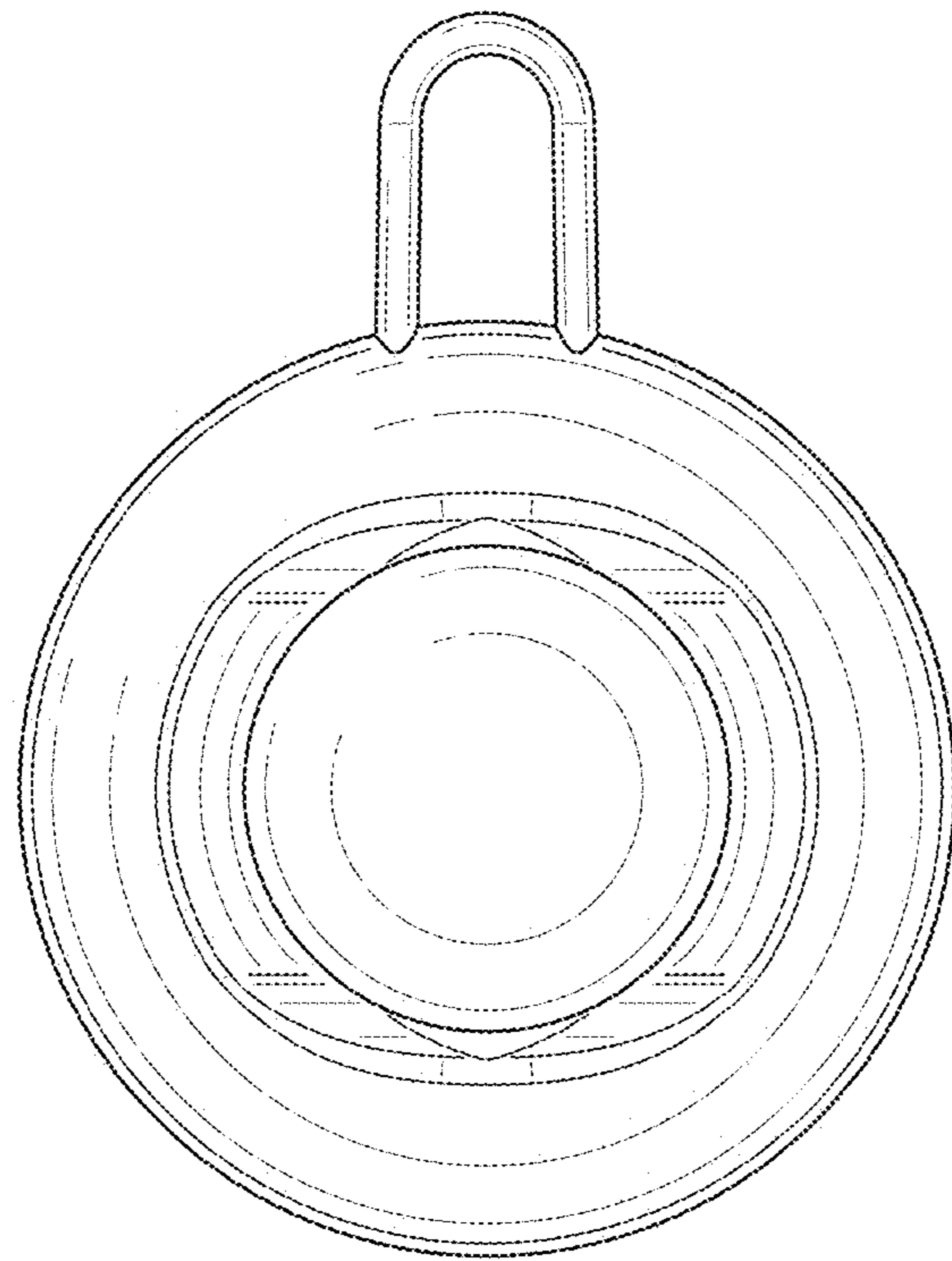


FIG. 3

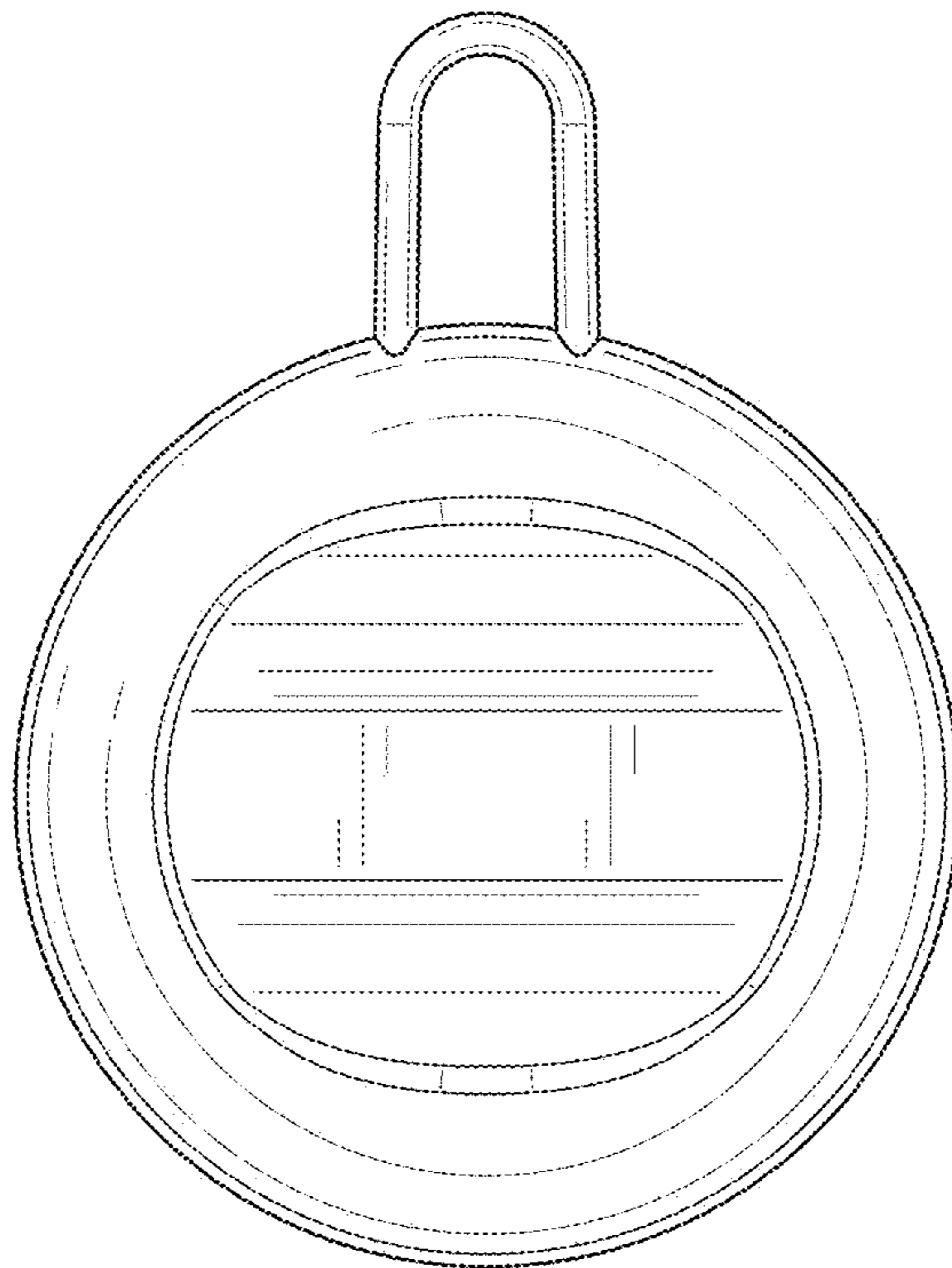


FIG. 4

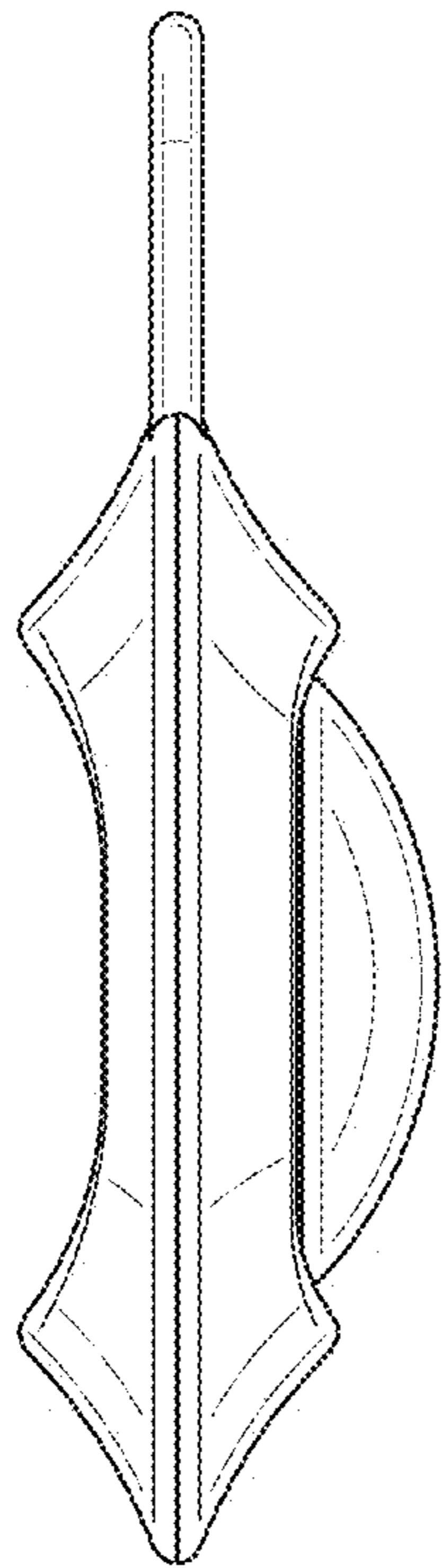


FIG. 5

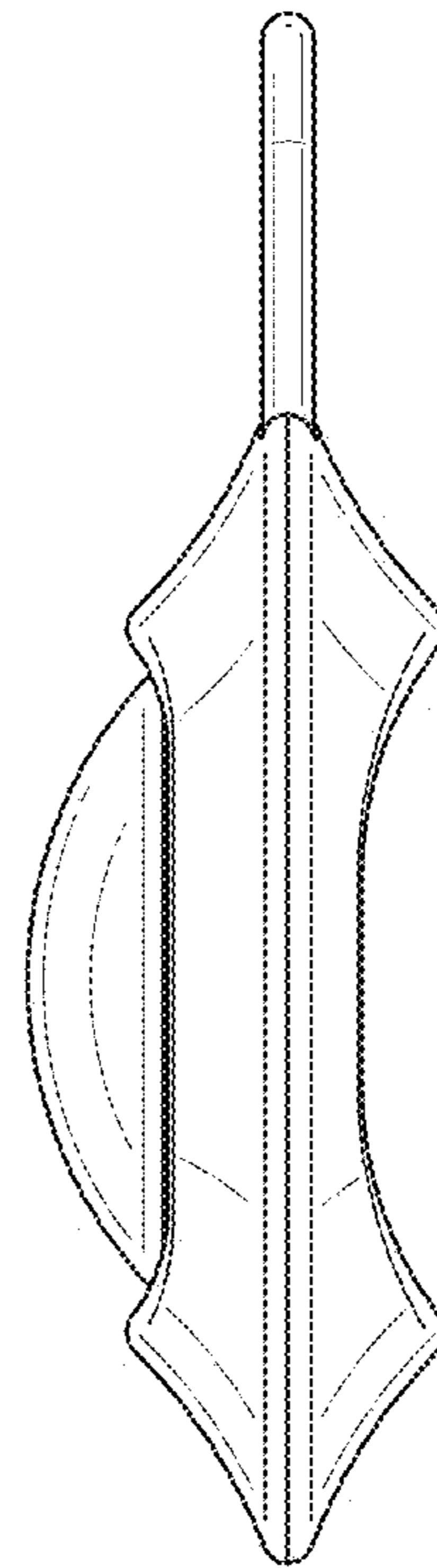


FIG. 6

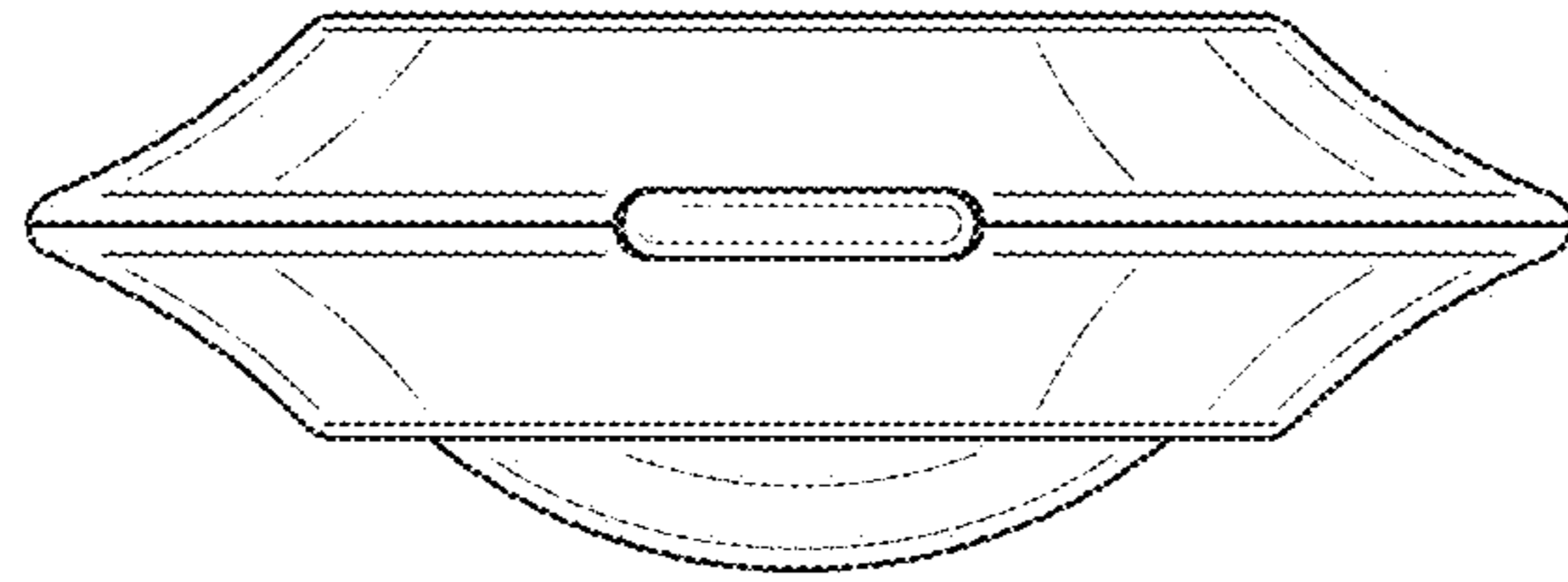


FIG. 7

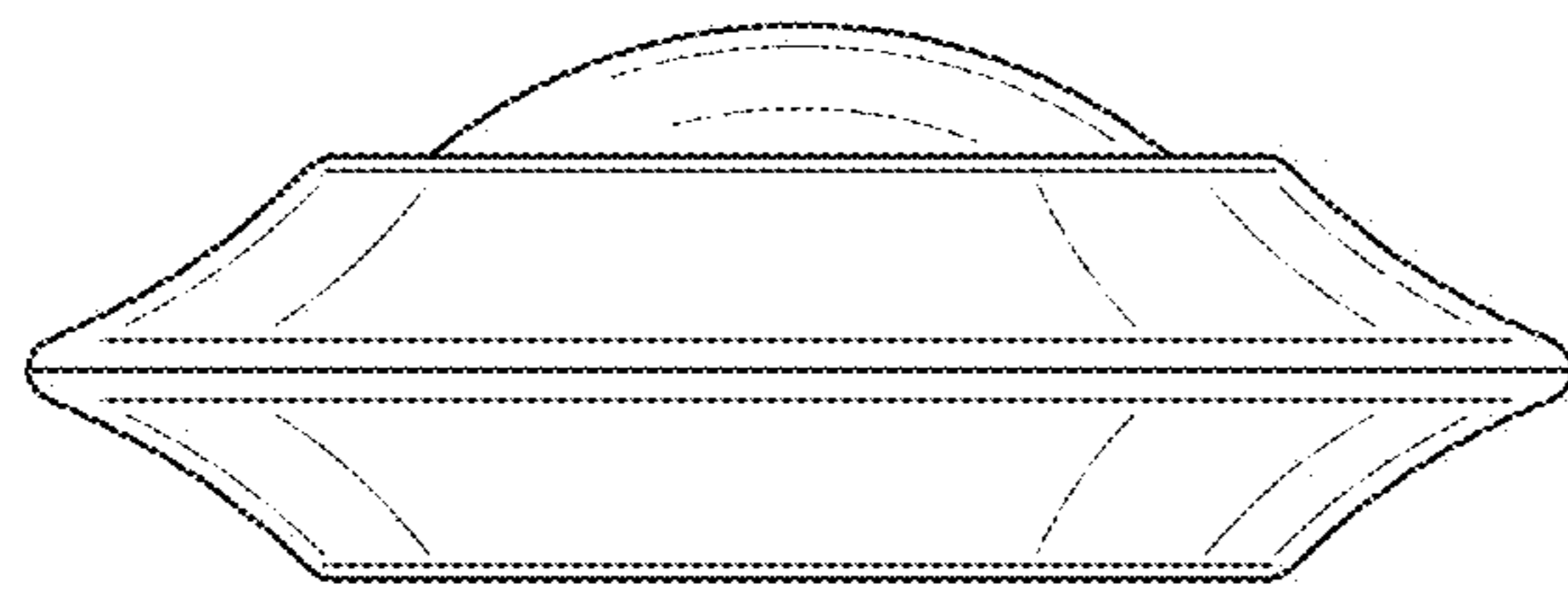


FIG. 8