



US00D692795S

(12) **United States Design Patent**
Connell et al.

(10) **Patent No.:** **US D692,795 S**
(45) **Date of Patent:** **** Nov. 5, 2013**

(54) **PORTABLE RAISED BED PLANTER**

(71) Applicant: **Justin J. Connell**, Santa Rosa, CA (US)

(72) Inventors: **Justin J. Connell**, Santa Rosa, CA (US);
John Stump, Santa Barbara, CA (US)

(73) Assignee: **LifeCycle Gardens, LLC**, Santa Rosa,
CA (US)

(**) Term: **14 Years**

(21) Appl. No.: **29/444,683**

(22) Filed: **Feb. 1, 2013**

(51) **LOC (9) Cl.** **11-02**

(52) **U.S. Cl.**
USPC **D11/143**

(58) **Field of Classification Search**
USPC D6/403-405, 556-558; D8/1;
D11/143-156, 164; D19/77, 80, 81,
D19/84; D25/100; D26/9-11, 16, 19;
D34/1, 2, 4-6; D99/5, 19; 47/17, 32.4,
47/32.5, 33, 39, 41.01, 41.1, 41.11-41.15,
47/44-47, 65, 65.5, 65.9, 66.1, 66.6, 66.7,
47/67-71

See application file for complete search history.

(56) **References Cited**

U.S. PATENT DOCUMENTS

D168,503 S * 12/1952 Hallas D6/404
D176,220 S * 11/1955 Klingberg D6/404
D285,506 S * 9/1986 Mens D6/404
D286,107 S * 10/1986 Mens D6/404

D286,234 S * 10/1986 Mens D6/404
D286,475 S * 11/1986 Mens D6/404
D377,127 S * 1/1997 Barrington D6/477
D415,065 S * 10/1999 Grosfillex D11/155
D623,085 S * 9/2010 Rackley et al. D11/144
D638,744 S * 5/2011 Phillips et al. D11/155
D655,221 S * 3/2012 Adams D11/155

* cited by examiner

Primary Examiner — Garth Rademaker

(74) *Attorney, Agent, or Firm* — Craig M. Stainbrook;
Stainbrook & Stainbrook, LLP

(57) **CLAIM**

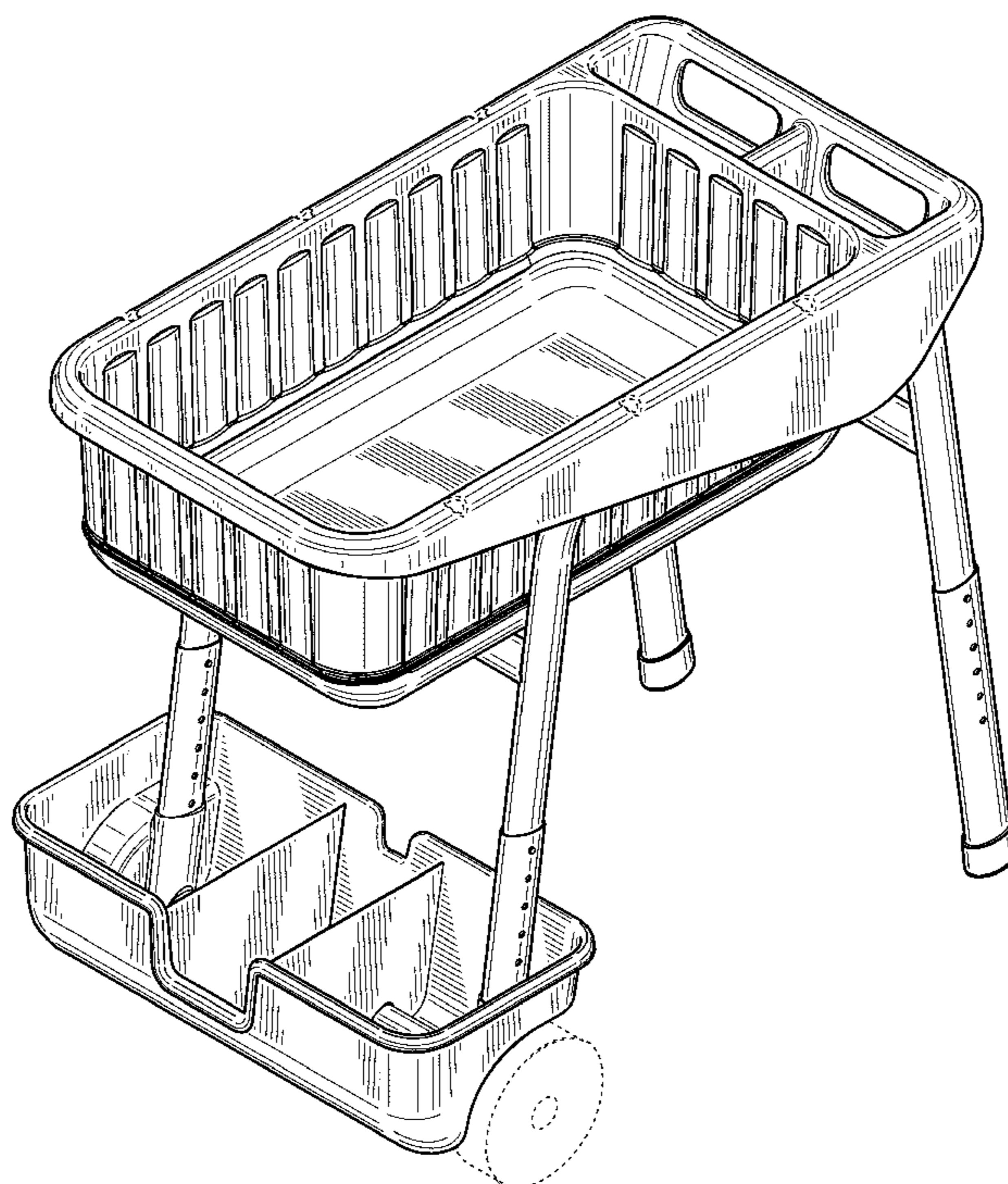
The ornamental design for a portable raised bed planter, as shown and described.

DESCRIPTION

FIG. 1 is a top, front, right side perspective view of a portable raised bed planter;
FIG. 2 is a front elevational view thereof;
FIG. 3 is a right side elevational view thereof, the left side being a mirror image thereof;
FIG. 4 is a rear elevational view thereof;
FIG. 5 is a top plan view thereof;
FIG. 6 is a bottom plan view thereof;
FIG. 7 is a cross-sectional view thereof, taken along line 7-7 of FIG. 3; and,
FIG. 8 is a cross-sectional view thereof taken along line 8-8 of FIG. 3.

The broken lines shown in the drawings are included for purposes of illustrating environmental structures only and form no part of the claimed design.

1 Claim, 7 Drawing Sheets



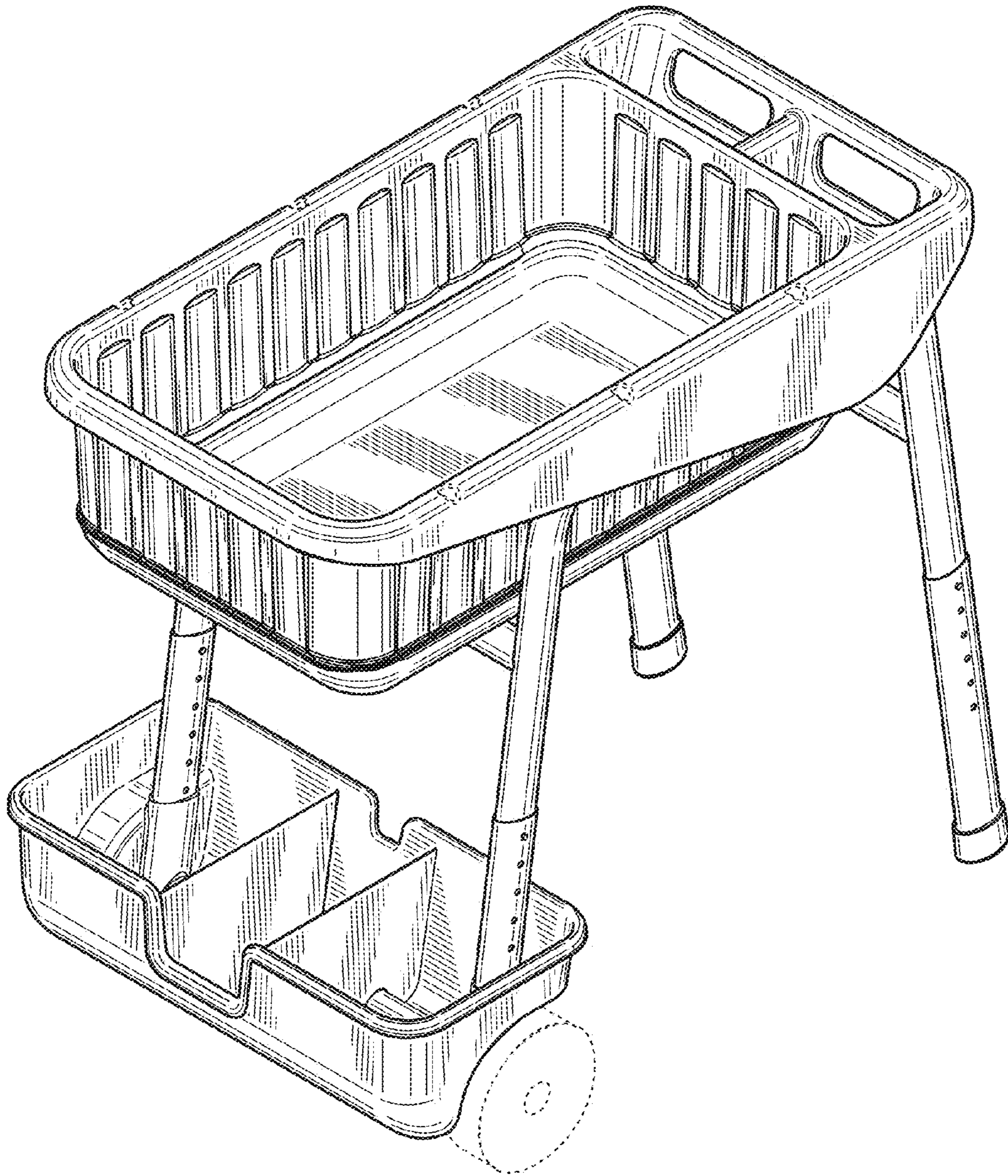
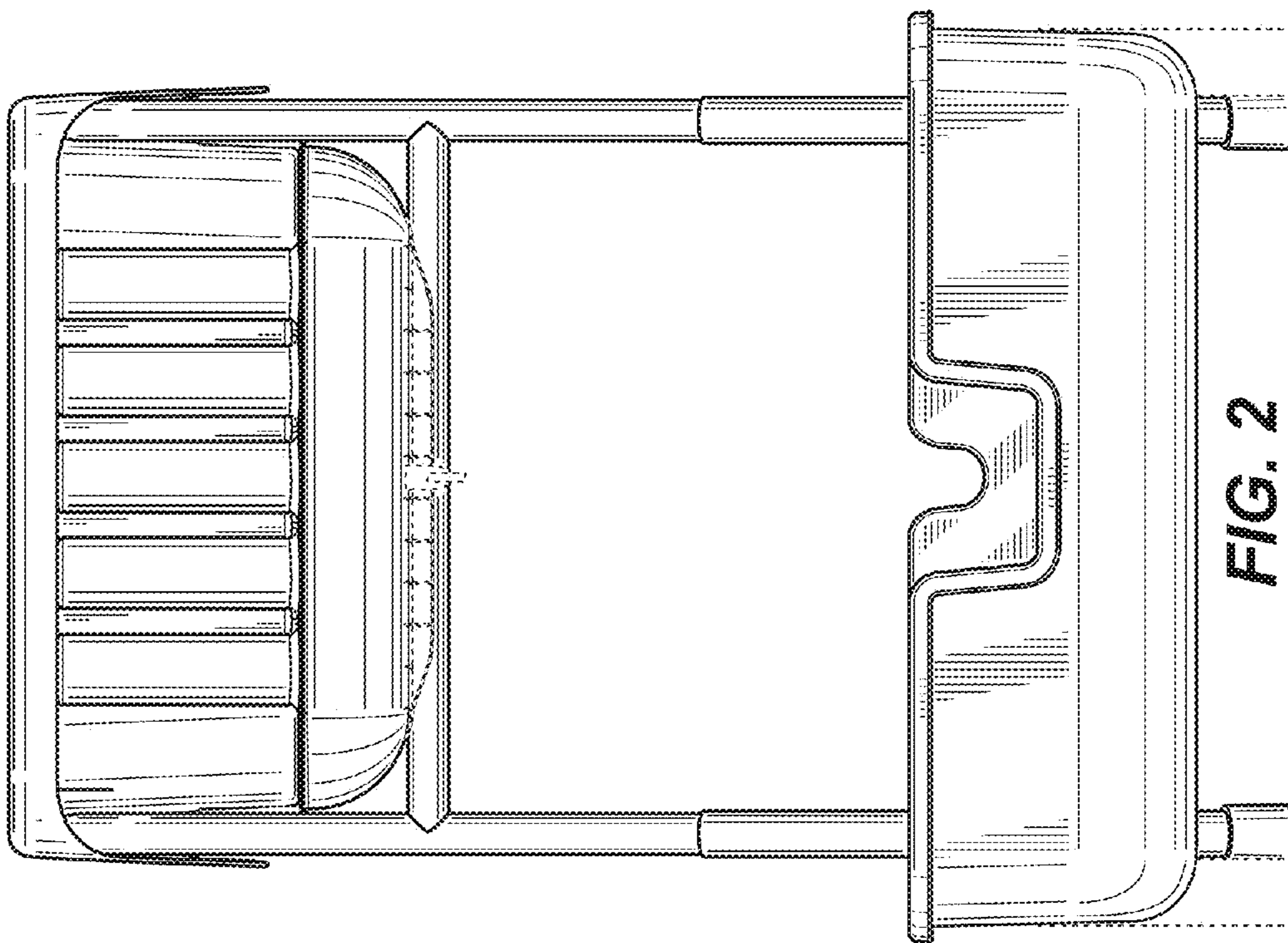
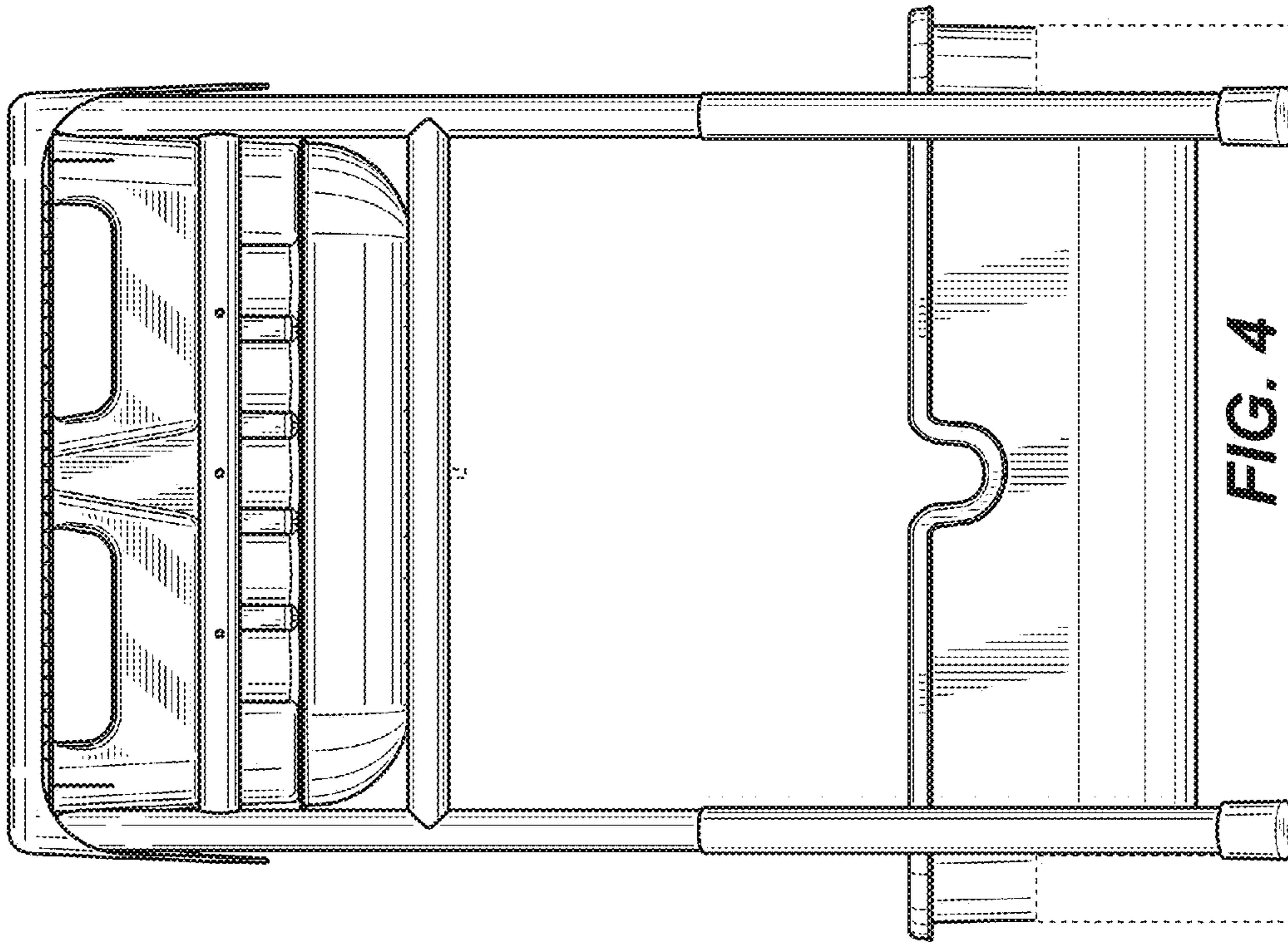


FIG. 1



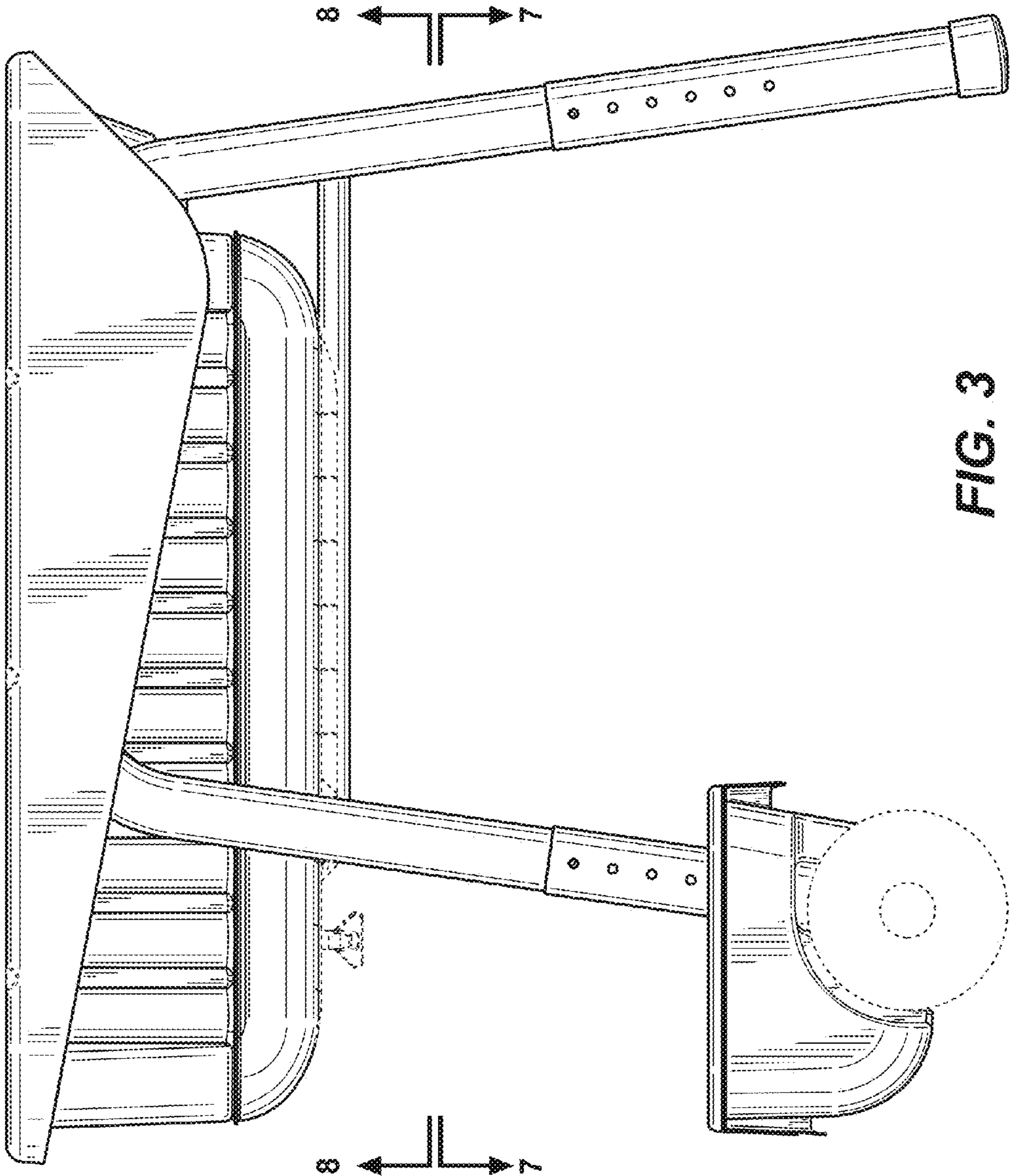


FIG. 3

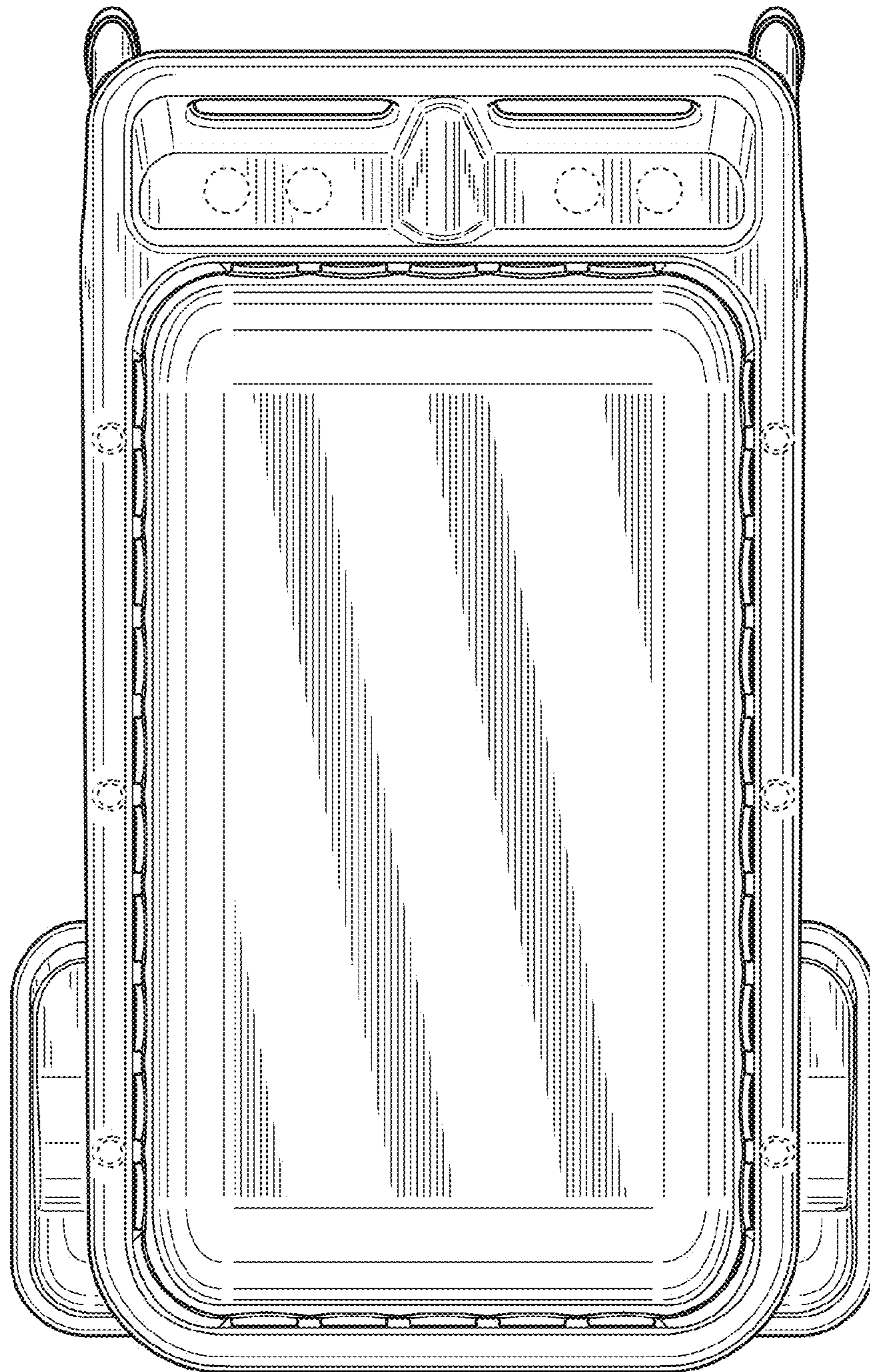


FIG. 5

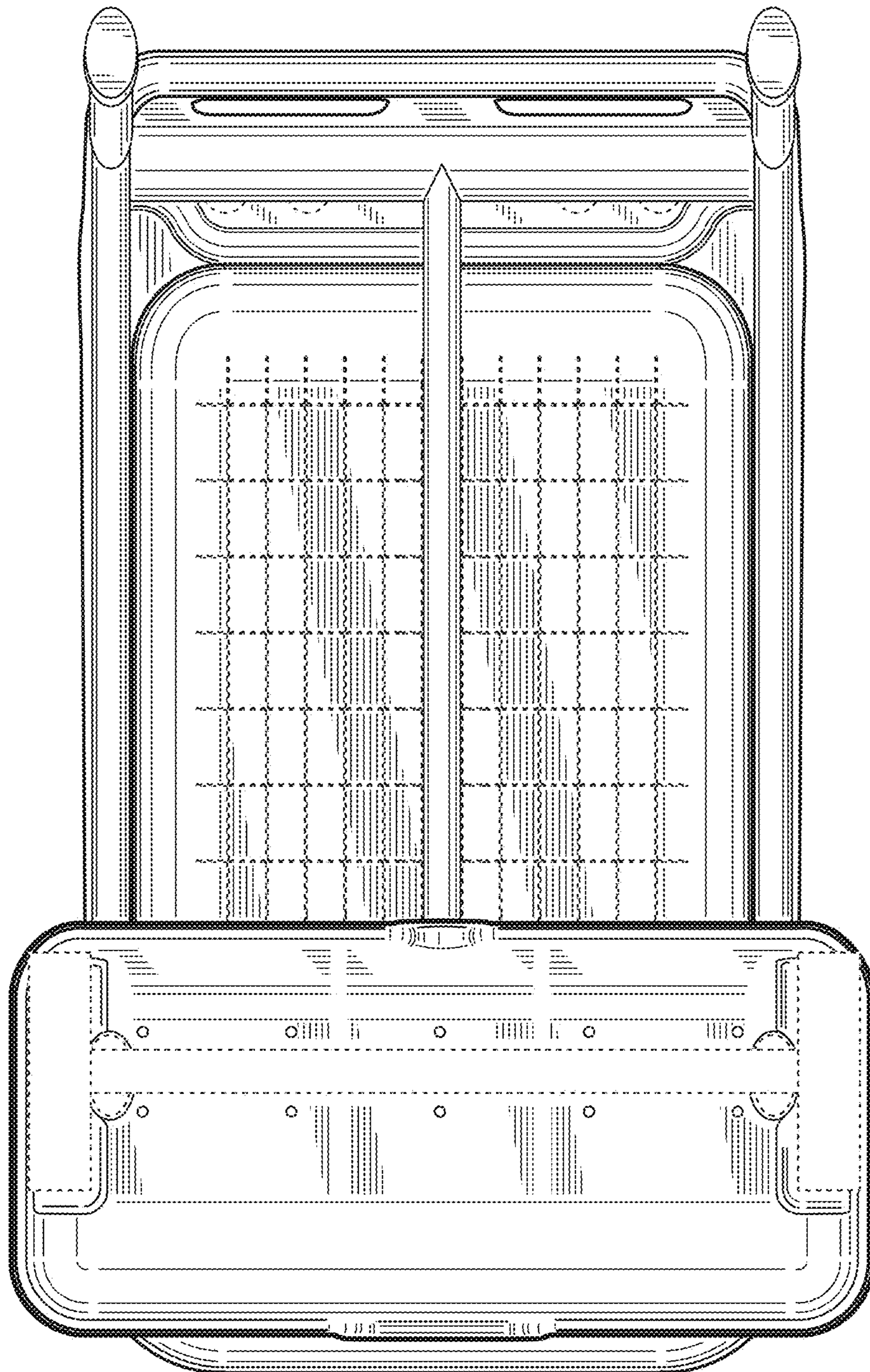


FIG. 6

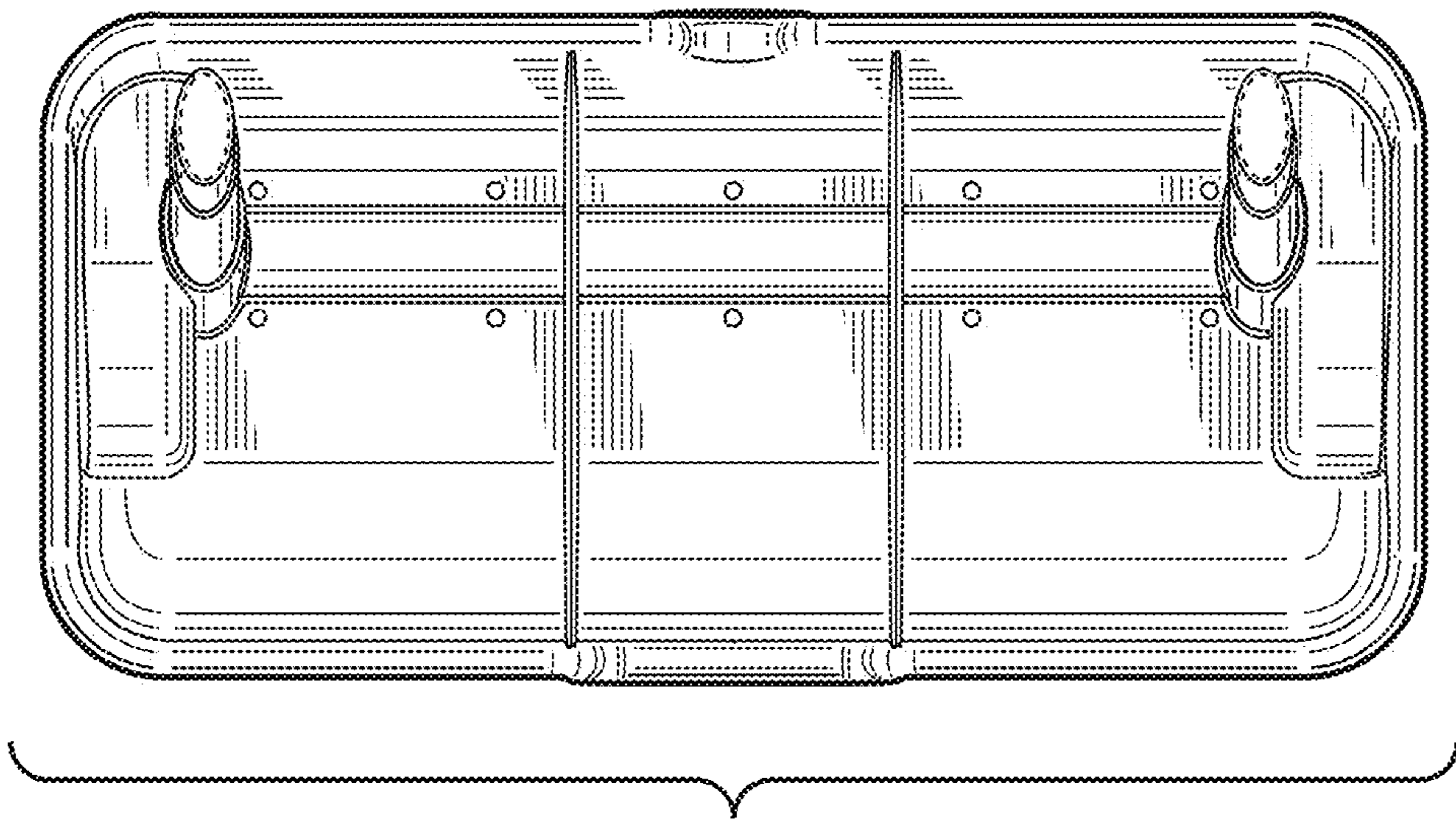


FIG. 7

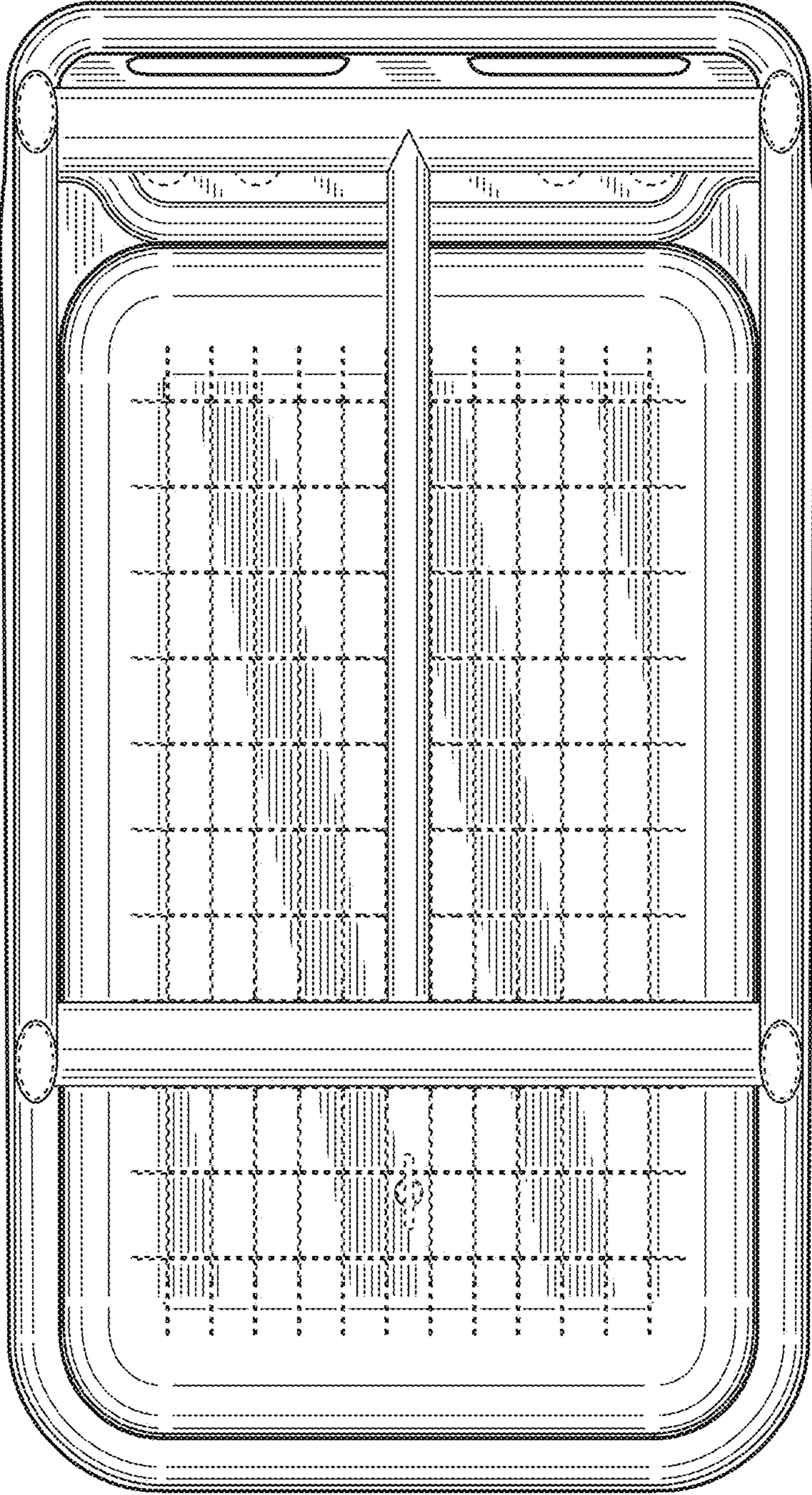


FIG. 8