



US00D692793S

(12) **United States Design Patent**
Stoeppler

(10) **Patent No.:** **US D692,793 S**
(45) **Date of Patent:** **** Nov. 5, 2013**

- (54) **PARTY GIFT WREATH**
- (76) Inventor: **Dale Stoeppler**, Santa Fe, NM (US)
- (**) Term: **14 Years**
- (21) Appl. No.: **29/399,822**
- (22) Filed: **Aug. 18, 2011**
- (51) **LOC (9) Cl.** **11-04**
- (52) **U.S. Cl.**
USPC **D11/120**
- (58) **Field of Classification Search**
USPC D11/117, 120, 121, 124, 125, 131, 132,
D11/133, 141, 142, 157; 428/7, 8, 9, 10, 12
See application file for complete search history.

(56) **References Cited**

U.S. PATENT DOCUMENTS

843,408	A *	2/1907	Merrill	223/109 R
D84,281	S *	6/1931	Frei	D11/120
1,853,305	A *	4/1932	Frei, Jr.		
D131,222	S *	1/1942	Kelman	D11/120
D176,830	S *	1/1956	Solomon	D3/21
4,185,767	A *	1/1980	Sykora et al.	229/138
4,525,393	A *	6/1985	DiCostanzo	428/7
4,726,509	A *	2/1988	Fonas	229/116.1
4,884,350	A	12/1989	Whetstone		
5,004,144	A *	4/1991	Selga	229/87.19
5,110,635	A	5/1992	Creegan		
5,156,893	A	10/1992	Barthe		
D340,672	S	10/1993	Adams		
D364,523	S	11/1995	Carter		
D387,883	S *	12/1997	Montgomery	D26/25
5,762,191	A *	6/1998	Etzion et al.	206/348
5,800,881	A *	9/1998	Etzion	428/5
D418,777	S *	1/2000	Koo	D11/120
7,043,875	B1	5/2006	Neuner		
7,217,446	B2	5/2007	Moody		
D638,742	S *	5/2011	Purcell	D11/118

FOREIGN PATENT DOCUMENTS

JP	2000325199	A	11/2000
KR	20100120106	A	11/2011

OTHER PUBLICATIONS

Stock Food, "White Hanging Advent Wreath with Baubles", <http://www.stockfood.co.th/image-picture-White-hanging-Advent-wreath-with-baubles-851811.html>, Aug. 10, 2011.

Tutorial From A Catch My Party Member—How to Make a Butterfly Mobile, <http://blog.catchmyparty.com/2011/04/04/tutorial-from-a-catch-my-party-member-how-to-make-a-butterfly-mobile/>, Apr. 4, 2011.

Christmas Wreath Store, 36" Holiday Wreath Bag with Center Storage, <http://www.christmaswreathstore.com/decorations/36-holiday-wreath-bag-with-center-storage/>, Jul. 25, 2011.

Anne Kinsey, How to Make a Wreath Made With Boxes, http://www.ehow.com/how_5777639_make-wreath-made-boxes.html, Jun. 21, 2011.

Jack's Dog House, Pit Bull Terrier White Christmas Ornament Hanging Gift Box, <http://www.jakesdoghouse.com/pit-bull-terrier-white-christmas-ornament-hanging-gift-box.html>, Aug. 10, 2011.

Crate and Barrel, Ornament-Photo Chandelie, <http://www.crateandbarrel.com/search.aspx?query=Ornament-Photo>, downloaded from website on Nov. 10, 2011.

* cited by examiner

Primary Examiner — Elizabeth J Oswecki
(74) *Attorney, Agent, or Firm* — Matthew F. Lambrinos; Franklin & Associates International

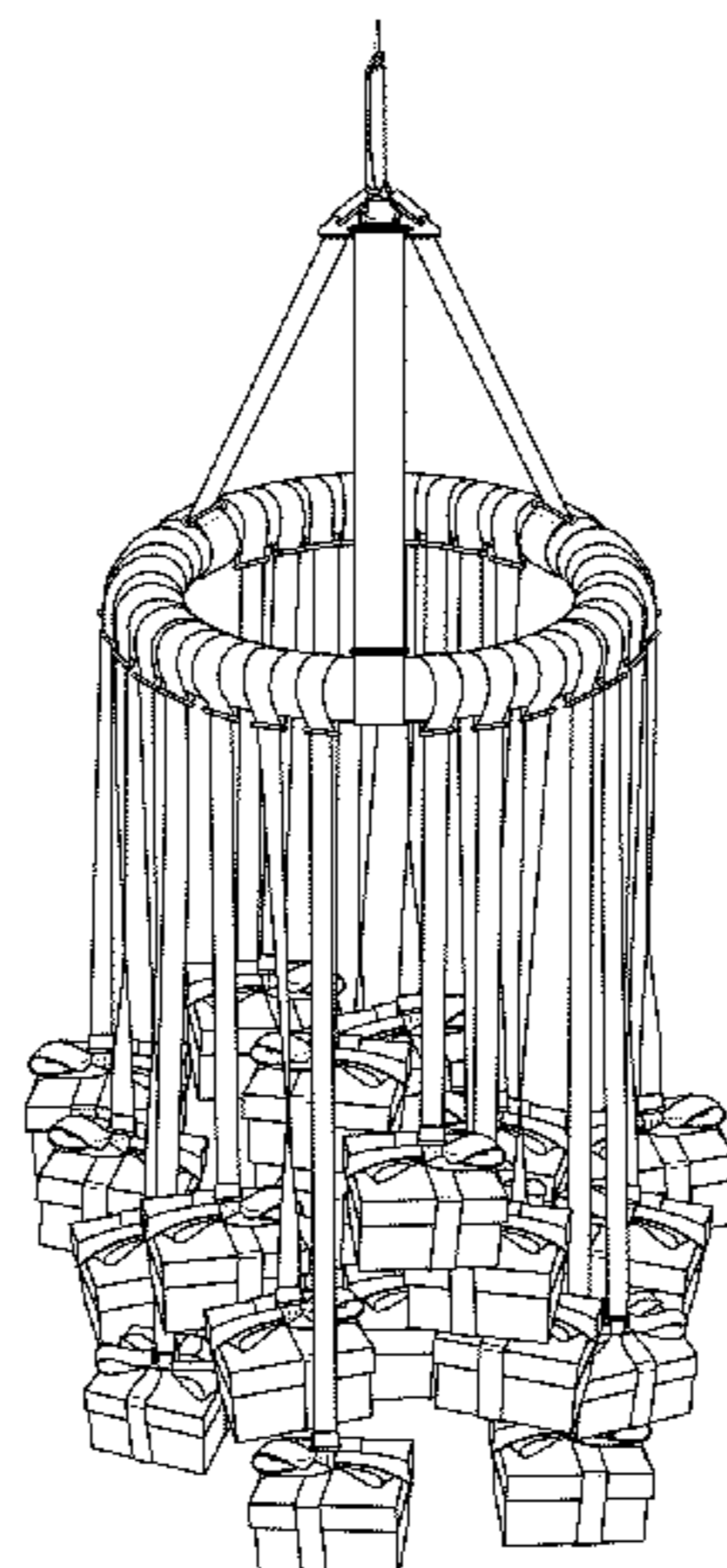
(57) **CLAIM**

The ornamental design for a party gift wreath, as shown and described.

DESCRIPTION

FIG. 1 is a perspective view of a party gift wreath showing my new design;
 FIG. 2 is a front view thereof;
 FIG. 3 is a left side view thereof;
 FIG. 4 is a right side view thereof;
 FIG. 5 is a rear view thereof;
 FIG. 6 is a top view thereof; and,
 FIG. 7 is a bottom view thereof.
 The broken lines in FIG. 1 shown in the drawings represent portions of the party gift wreath that form no part of the claimed design.

1 Claim, 7 Drawing Sheets



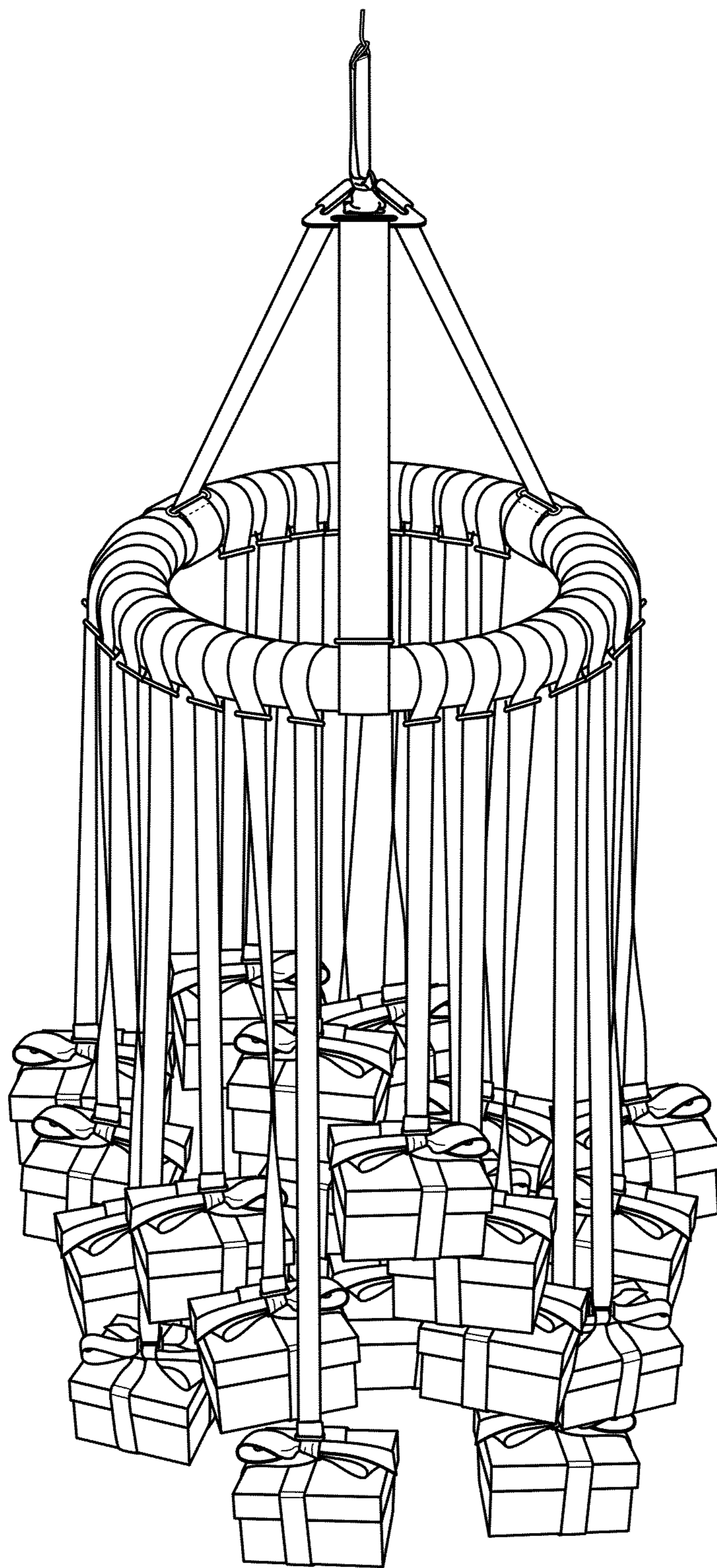


FIG. 1

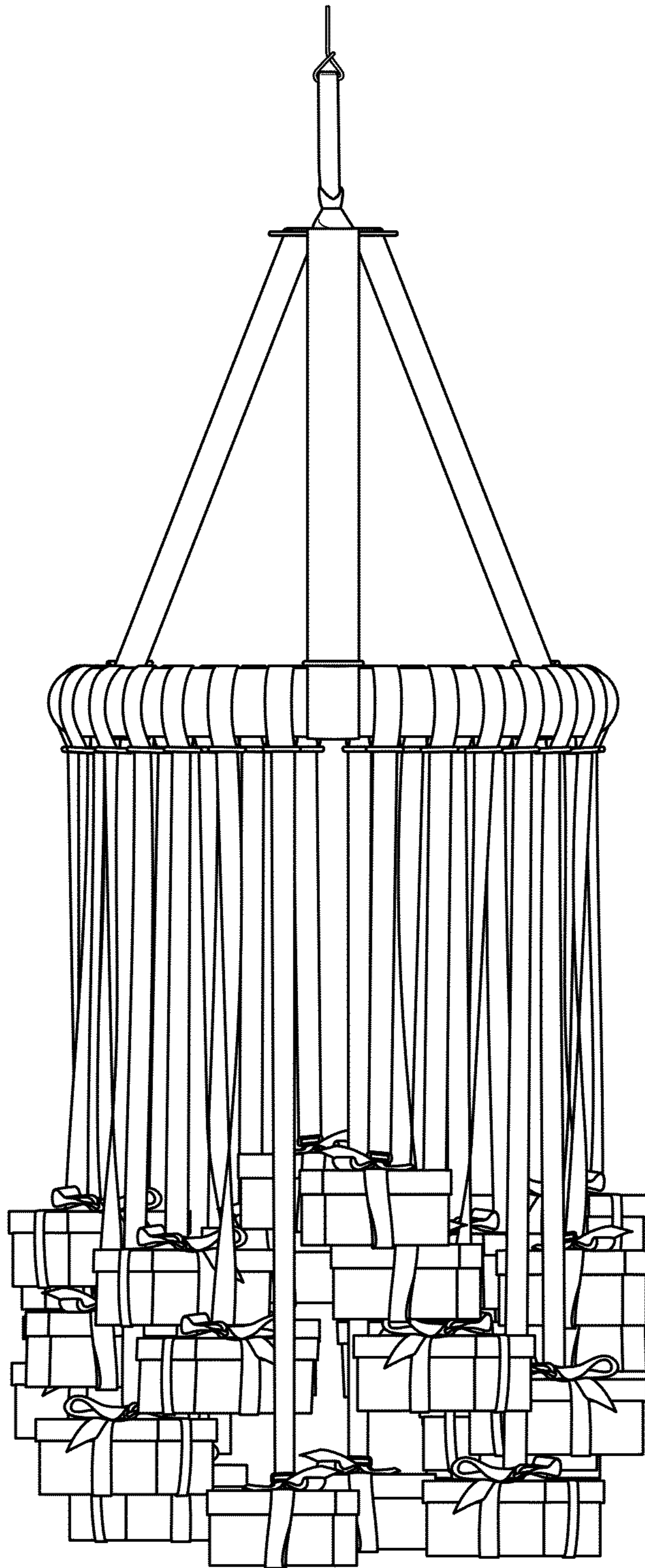


FIG. 2

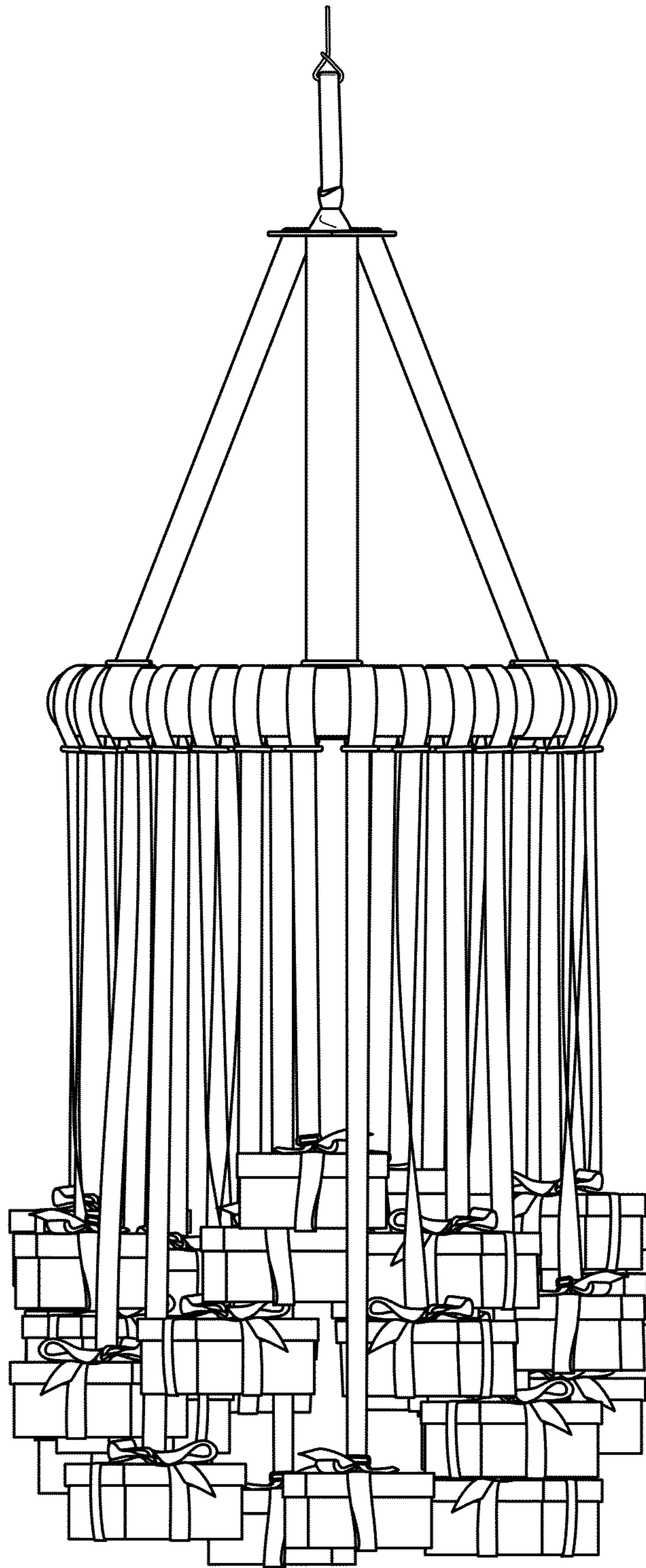


FIG. 3

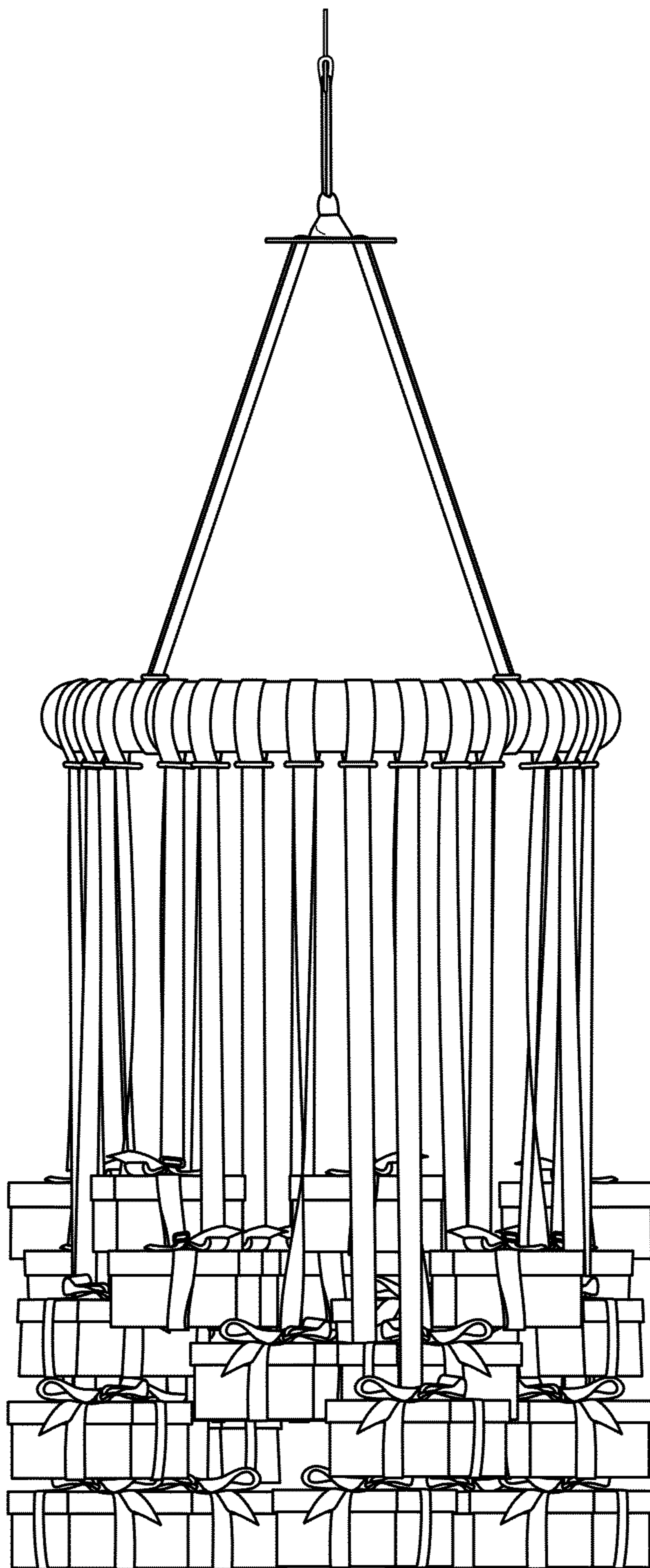


FIG. 4

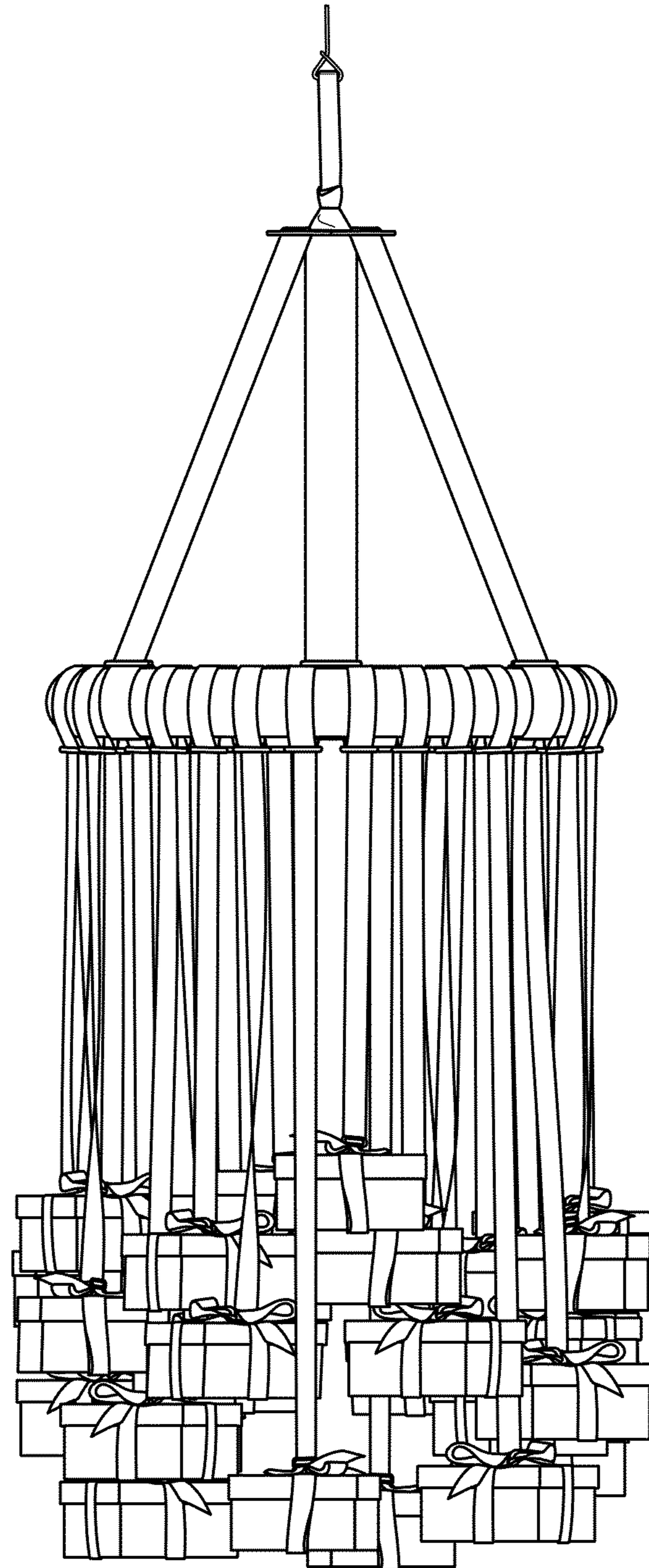


FIG. 5

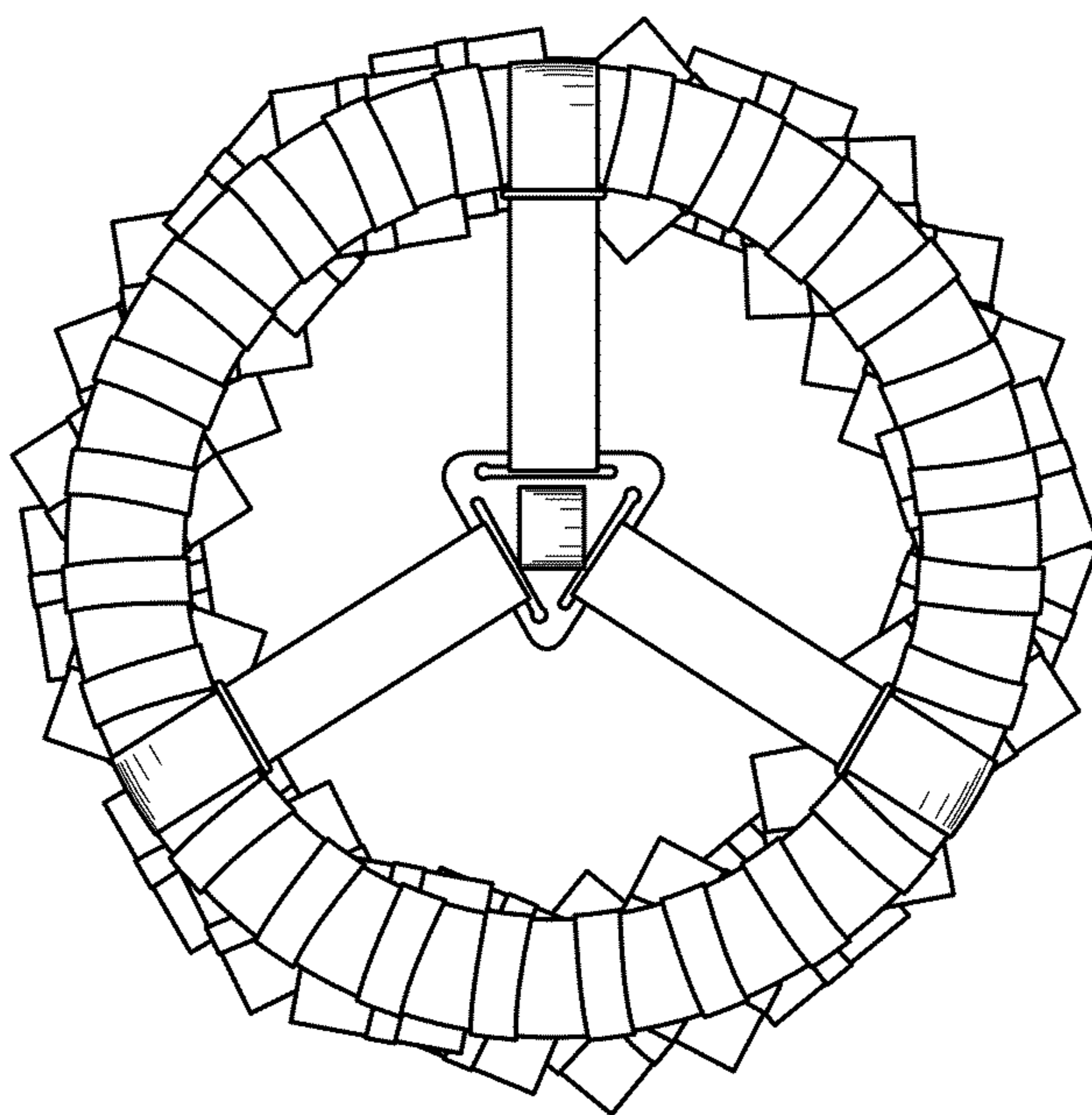


FIG. 6

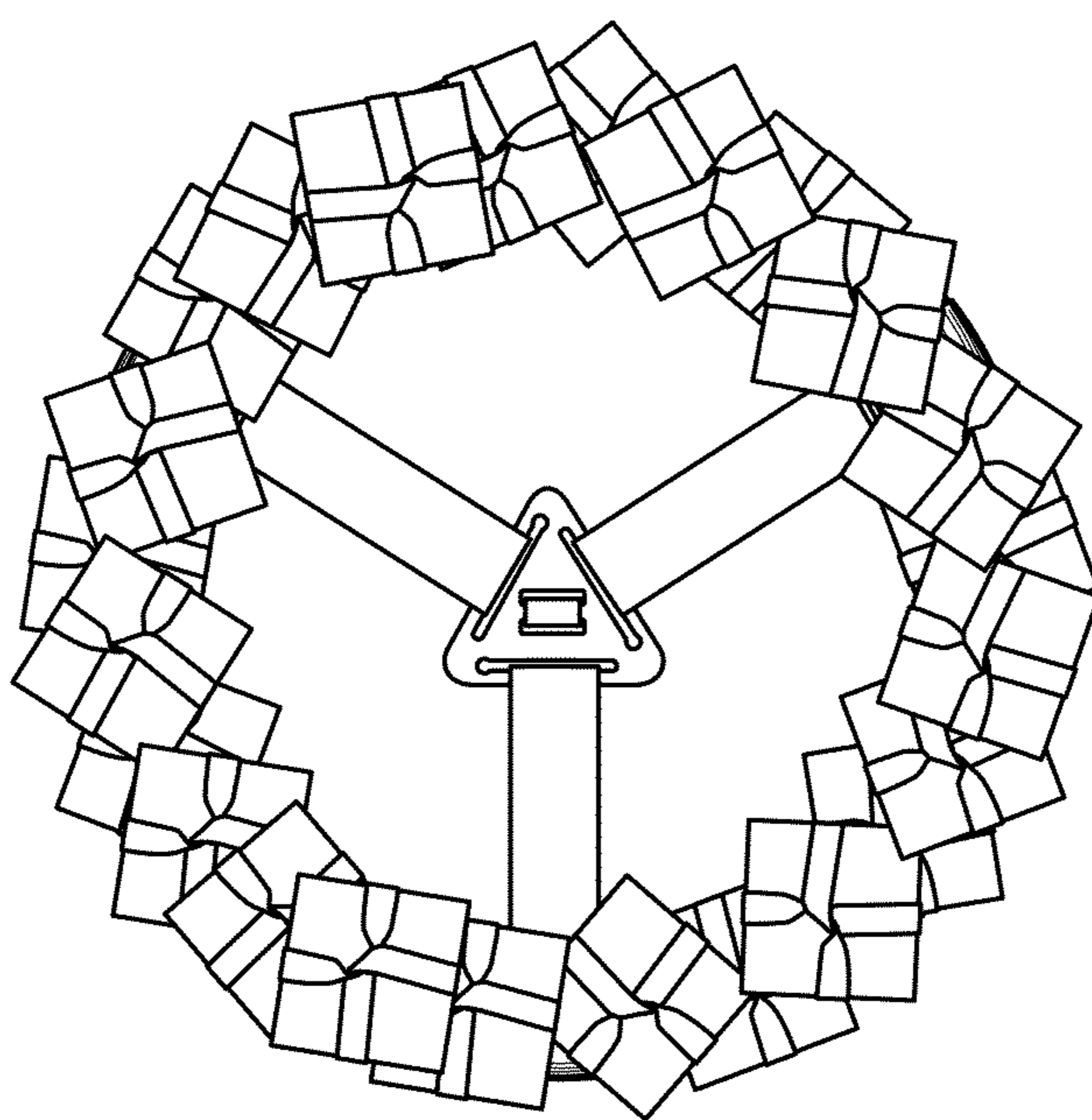


FIG. 7