

US00D692789S

(12) **United States Design Patent**  
**Tsutaya**

(10) **Patent No.:** **US D692,789 S**  
(45) **Date of Patent:** **\*\* Nov. 5, 2013**

(54) **FLEXURE ELEMENT FOR LOAD CELL**

(71) Applicant: **Tanita Corporation**, Tokyo (JP)

(72) Inventor: **Takao Tsutaya**, Chiba (JP)

(73) Assignee: **Tanita Corporation**, Tokyo (JP)

(\*\*) Term: **14 Years**

(21) Appl. No.: **29/447,184**

(22) Filed: **Mar. 1, 2013**

(30) **Foreign Application Priority Data**

Sep. 19, 2012 (JP) ..... 2012-022586

(51) **LOC (9) Cl.** ..... **10-04**

(52) **U.S. Cl.**  
USPC ..... **D10/94; D10/85**

(58) **Field of Classification Search**  
USPC ..... D10/83-85, 87, 94; 177/210 FP, 211,  
177/229; 29/827, 854; 72/862.59-862.642;  
73/862.59-862.642  
See application file for complete search history.

(56) **References Cited**

**U.S. PATENT DOCUMENTS**

4,132,856 A \* 1/1979 Hutchison et al. .... 29/827  
4,807,018 A \* 2/1989 Cellai ..... 29/827

4,993,506 A 2/1991 Angel  
4,996,882 A \* 3/1991 Kistler ..... 73/862.632  
5,510,581 A 4/1996 Angel  
5,847,329 A 12/1998 Anthoine-Milhomme et al.  
7,947,912 B2 \* 5/2011 Weichao ..... 73/862.627  
2008/0083290 A1 4/2008 Stadler

**FOREIGN PATENT DOCUMENTS**

JP H04-030449 U 3/1992  
JP H09-021682 A 1/1997  
JP H10-500484 A 1/1998  
JP 2008-309719 A 12/2008  
JP 2010-230546 10/2010

\* cited by examiner

*Primary Examiner* — Antoine D Davis

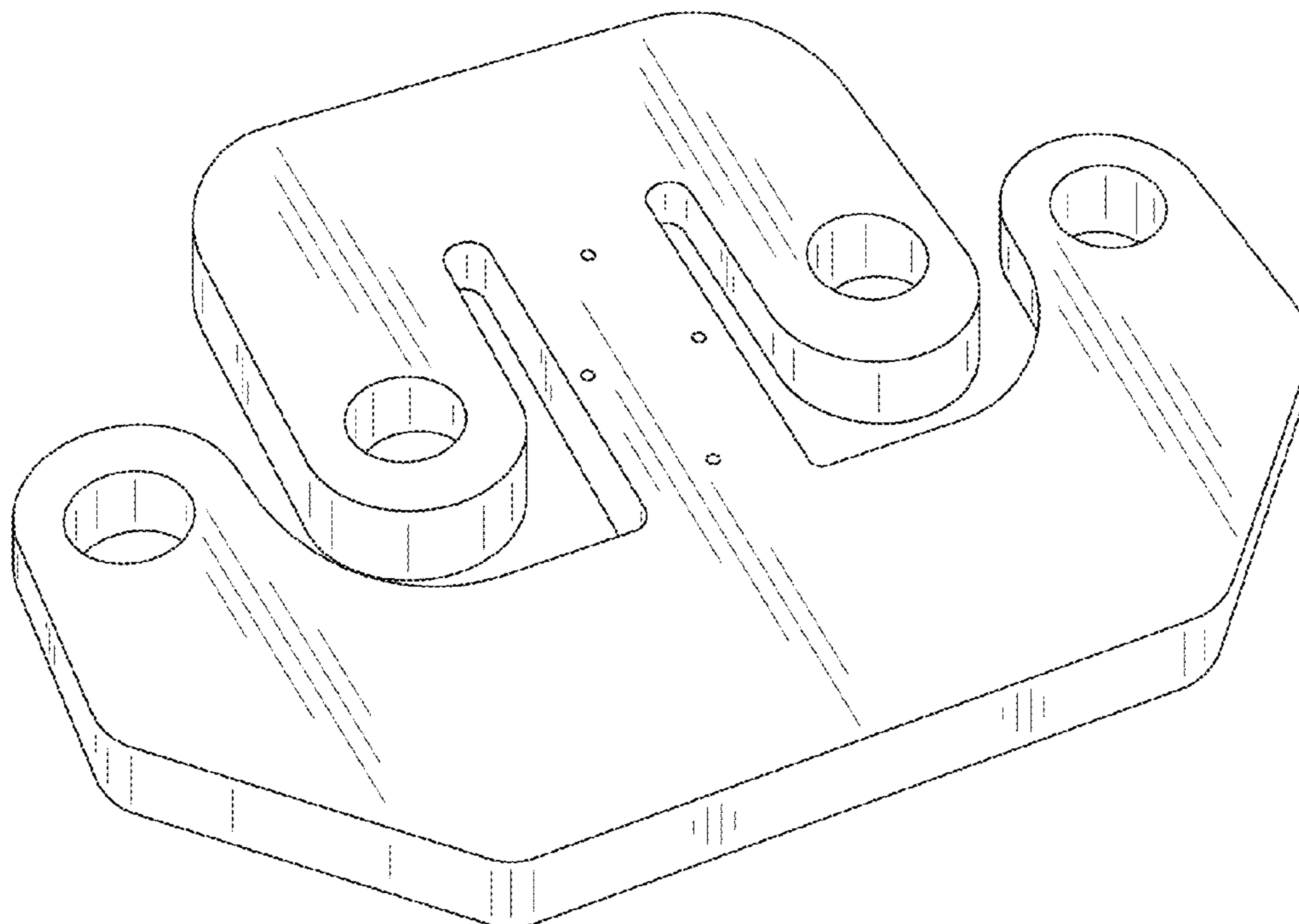
(57) **CLAIM**

The ornamental design for a flexure element for load cell, as shown.

**DESCRIPTION**

FIG. 1 is a front elevational view of a flexure element for a load cell showing my new design;  
FIG. 2 is a rear elevational view thereof;  
FIG. 3 is a right side elevational view thereof with the left side view being a mirror image thereof;  
FIG. 4 is a top plan view thereof;  
FIG. 5 is a bottom plan view thereof; and,  
FIG. 6 is a perspective view thereof.

**1 Claim, 6 Drawing Sheets**



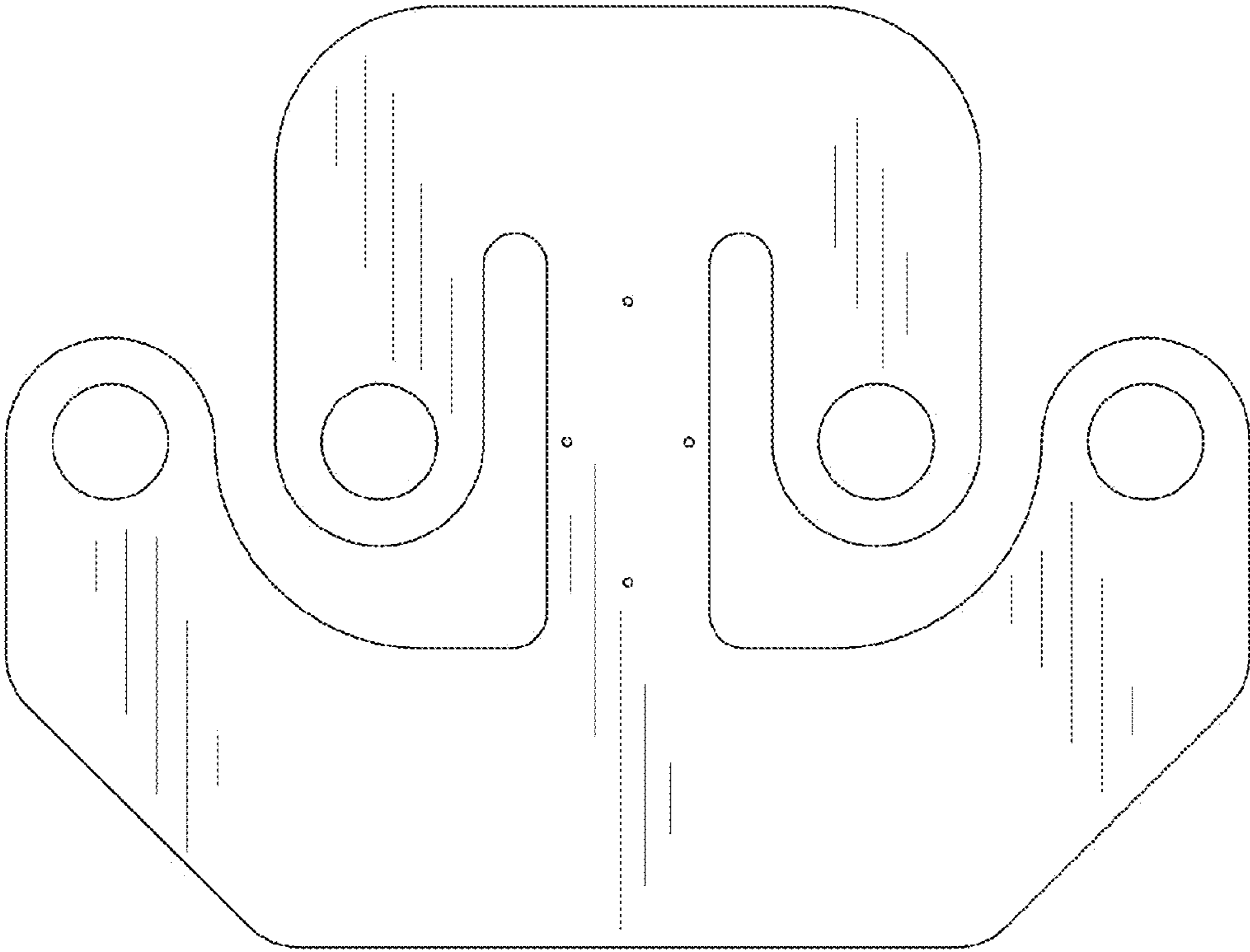


FIG.1

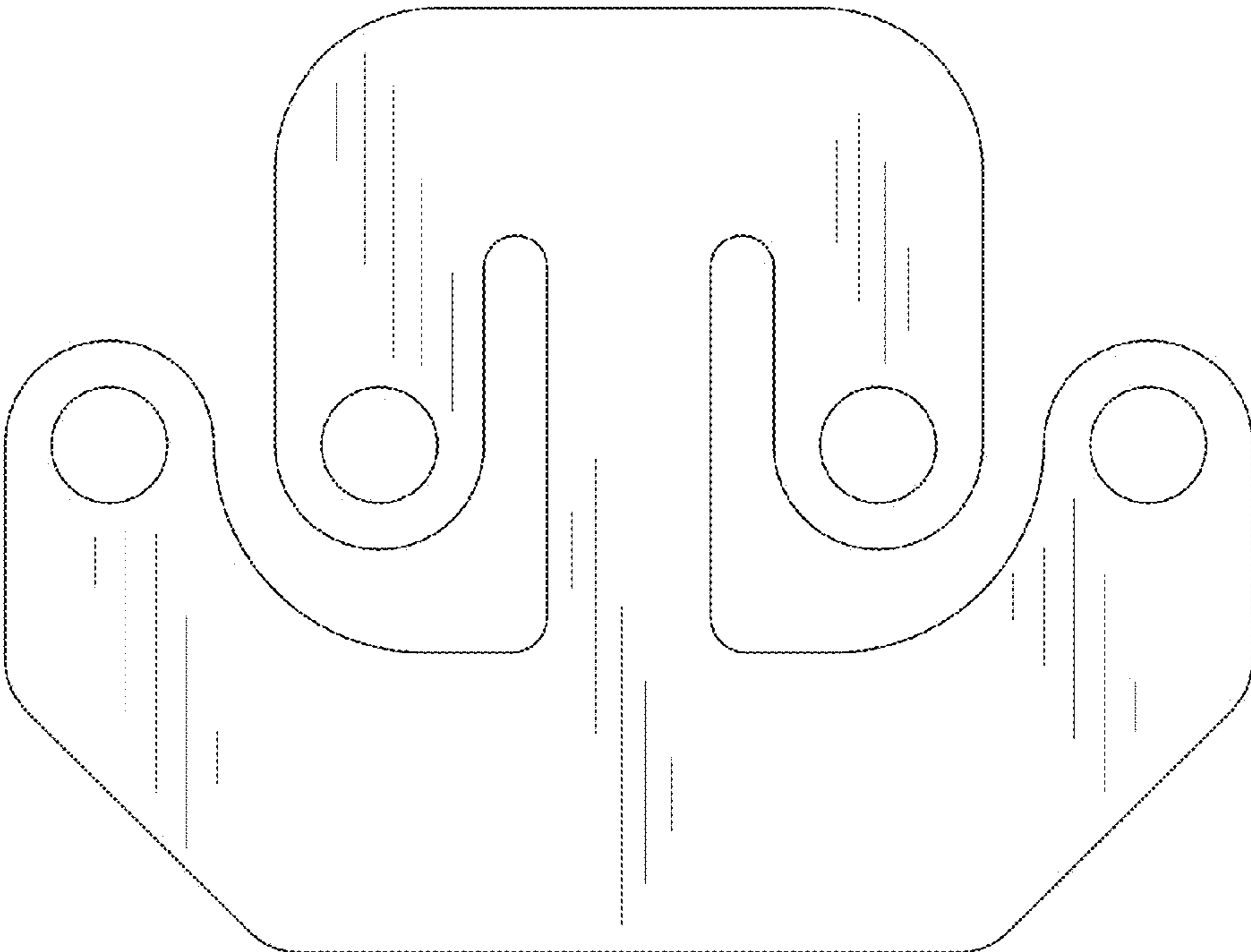


FIG.2



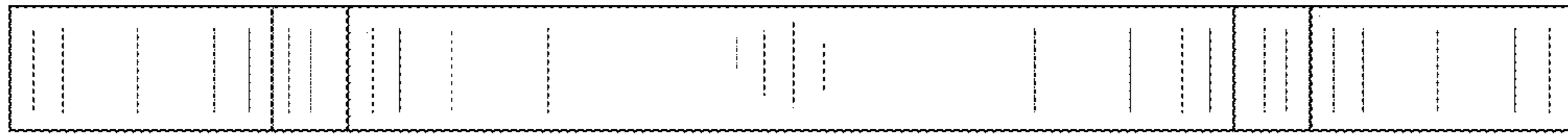


FIG.4

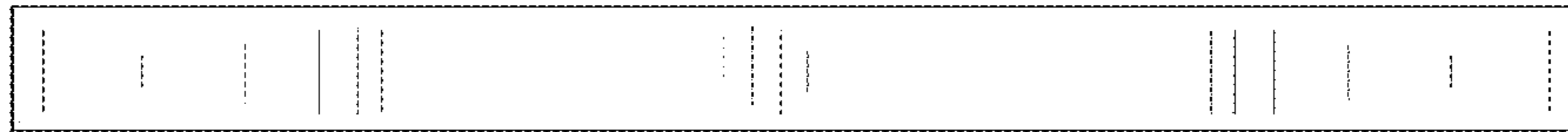


FIG.5

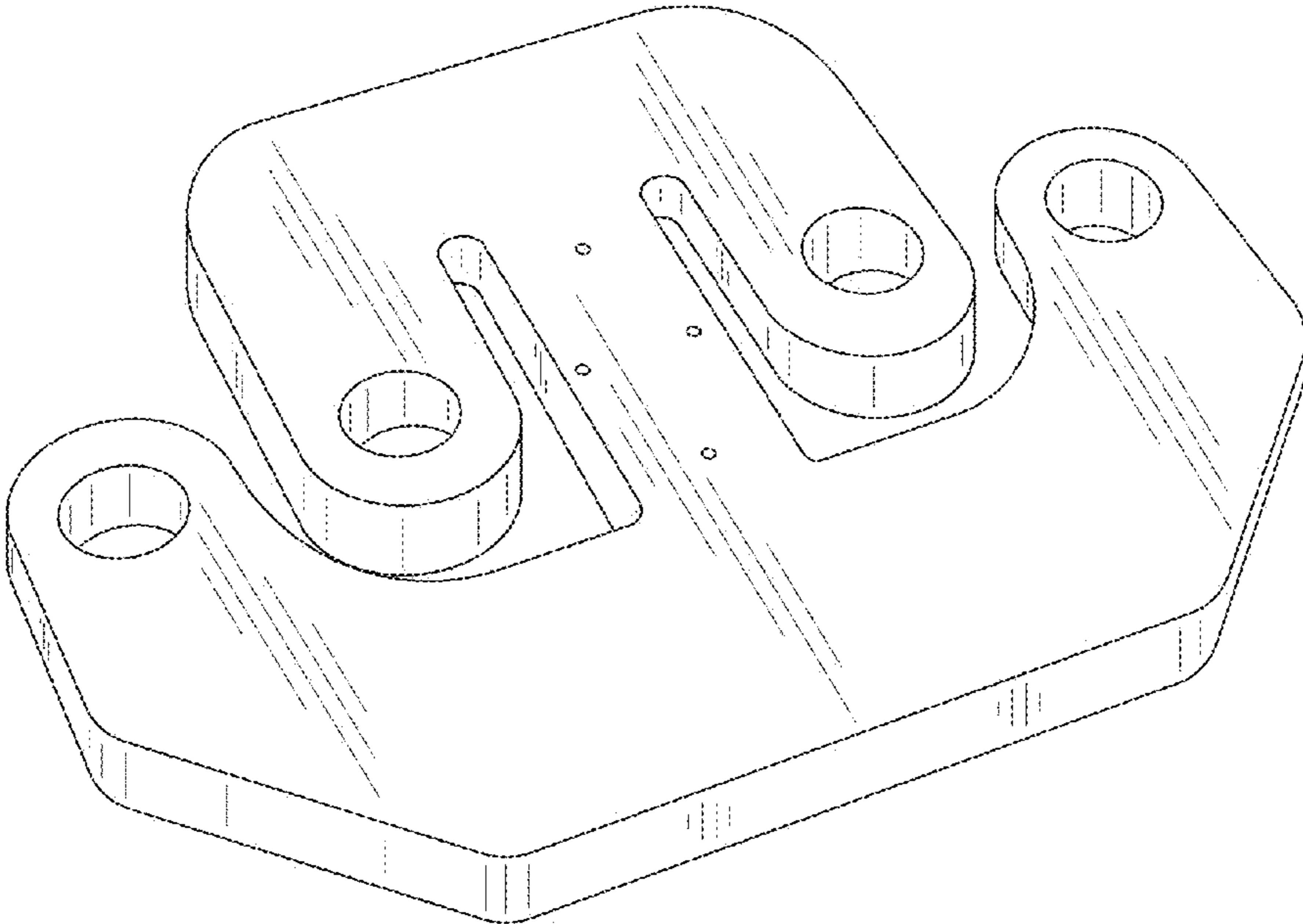


FIG.6