



US00D692787S

(12) **United States Design Patent**
Rodriquez

(10) **Patent No.:** **US D692,787 S**

(45) **Date of Patent:** **** Nov. 5, 2013**

(54) **MOLD DETECTION SYSTEM**

(71) Applicant: **Alfred Rodriquez**, Atlanta, GA (US)

(72) Inventor: **Alfred Rodriquez**, Atlanta, GA (US)

(**) Term: **14 Years**

(21) Appl. No.: **29/441,557**

(22) Filed: **Jan. 7, 2013**

(51) **LOC (9) Cl.** **10-04**

(52) **U.S. Cl.**
USPC **D10/81**

(58) **Field of Classification Search**

USPC D10/56, 81; 340/540; 435/34-40, 6.19,
435/134, 6.16, 6.11, 6.13, 7.31, 7.32-7.37,
435/283.1, 286.1-288.7, 975; 436/174, 808

See application file for complete search history.

(56) **References Cited**

U.S. PATENT DOCUMENTS

4,314,027	A *	2/1982	Stahr	435/34
D527,662	S *	9/2006	Hin et al.	D10/81
D569,008	S *	5/2008	Lundqvist et al.	D24/232
D659,257	S *	5/2012	Desberg	D24/232
D675,945	S *	2/2013	Brooking et al.	D10/56

* cited by examiner

Primary Examiner — Antoine D Davis

(74) *Attorney, Agent, or Firm* — Miller & Martin PLLC

(57) **CLAIM**

The ornamental design for a mold detection system, as shown and described.

DESCRIPTION

FIG. 1 is a perspective view of the mold detection system with the cover in the fully closed position;

FIG. 2 is a front view of the mold detection system with the cover in the fully closed position;

FIG. 3 is a right side view of the mold detection system with the cover in the fully closed position;

FIG. 4 is a left side view of the mold detection system with the cover in the fully closed position;

FIG. 5 is a top view of the mold detection system with the cover in the fully closed position;

FIG. 6 is a bottom view of the mold detection system with the cover in the fully closed position;

FIG. 7 is a rear view of the mold detection system with the cover in the fully closed position;

FIG. 8 is a bottom view of the mold detection system with the cover in the fully opened position;

FIG. 9 is a perspective view of the mold detection system with the cover in the fully opened position;

FIG. 10 is a front view of the mold detection system with the cover in the fully opened position;

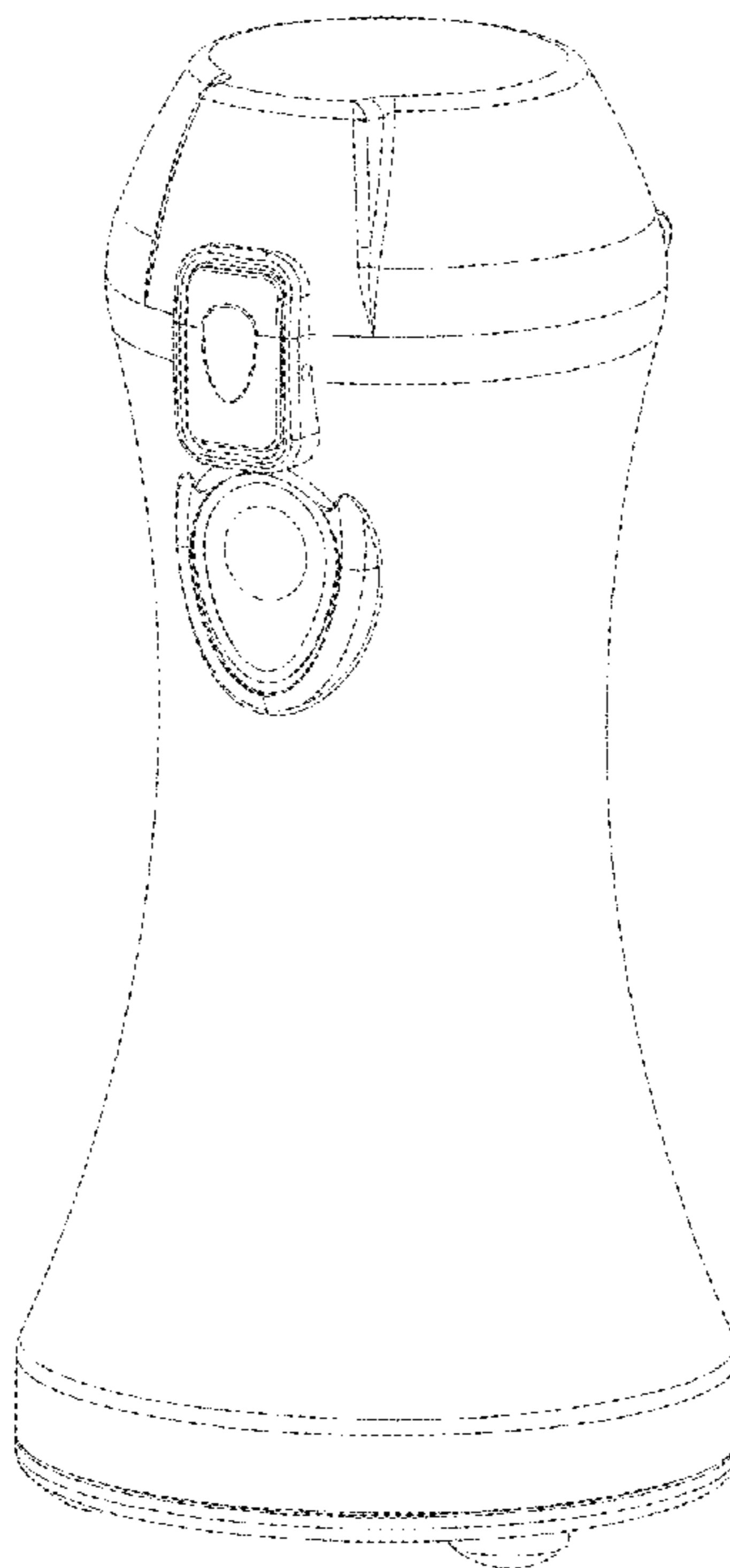
FIG. 11 is a rear view of the mold detection system with the cover in the fully opened position;

FIG. 12 is a right side view of the mold detection system with the cover in the fully opened position;

FIG. 13 is a left side view of the mold detection system with the cover in the fully opened position; and,

FIG. 14 is a top view of the mold detection system with the cover in the fully opened position.

1 Claim, 14 Drawing Sheets



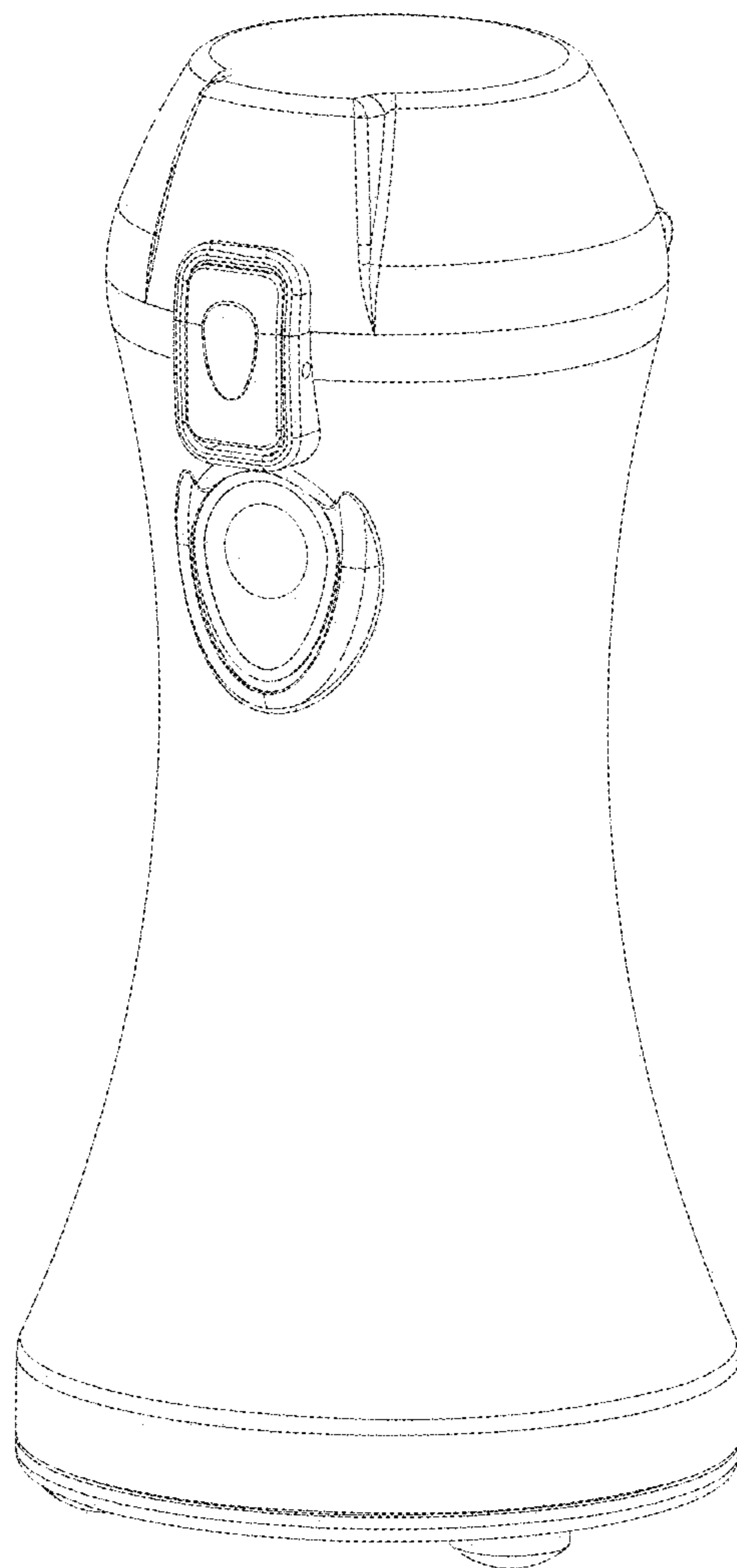


Fig. 1

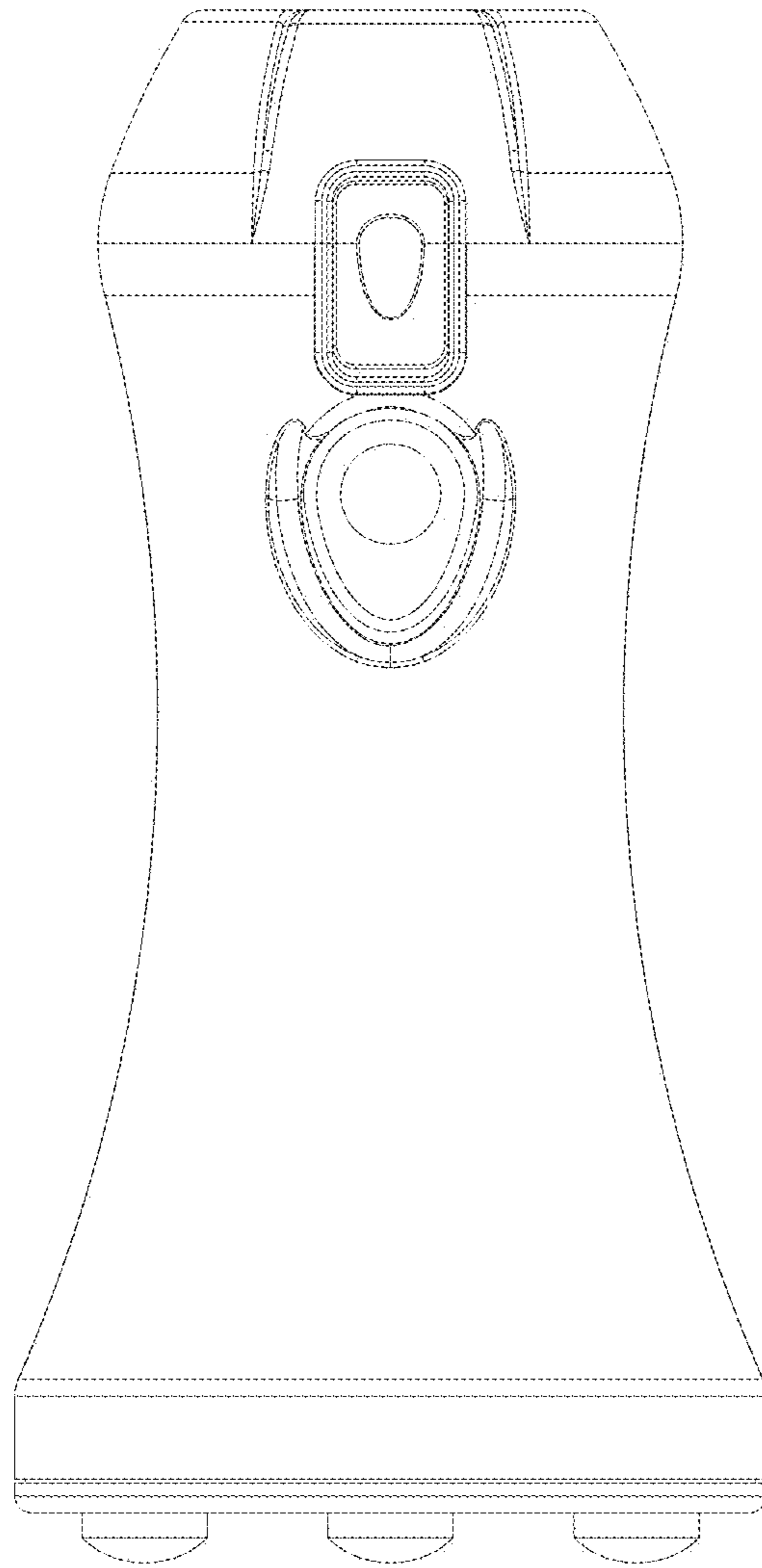


Fig. 2

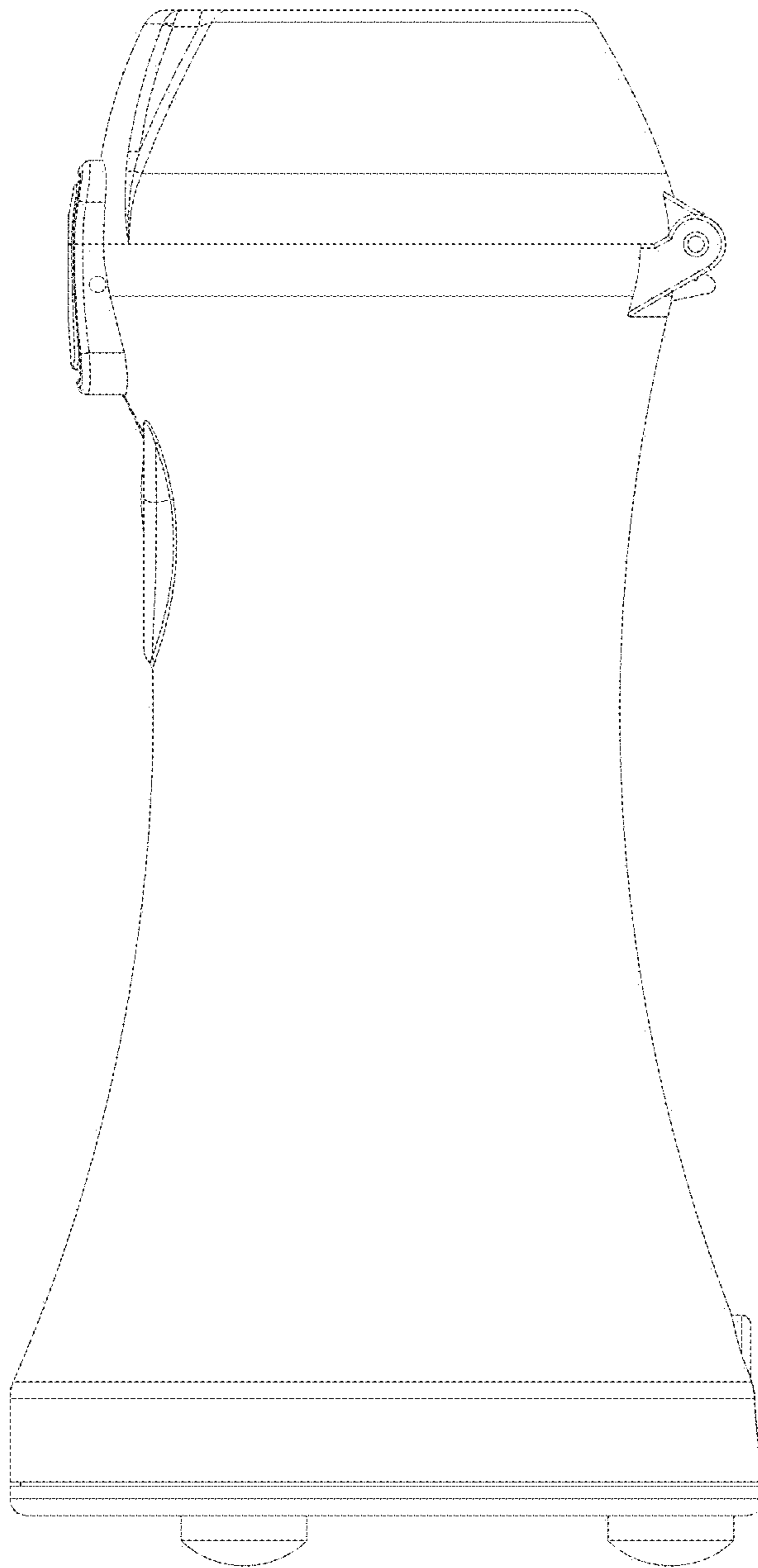


Fig. 3

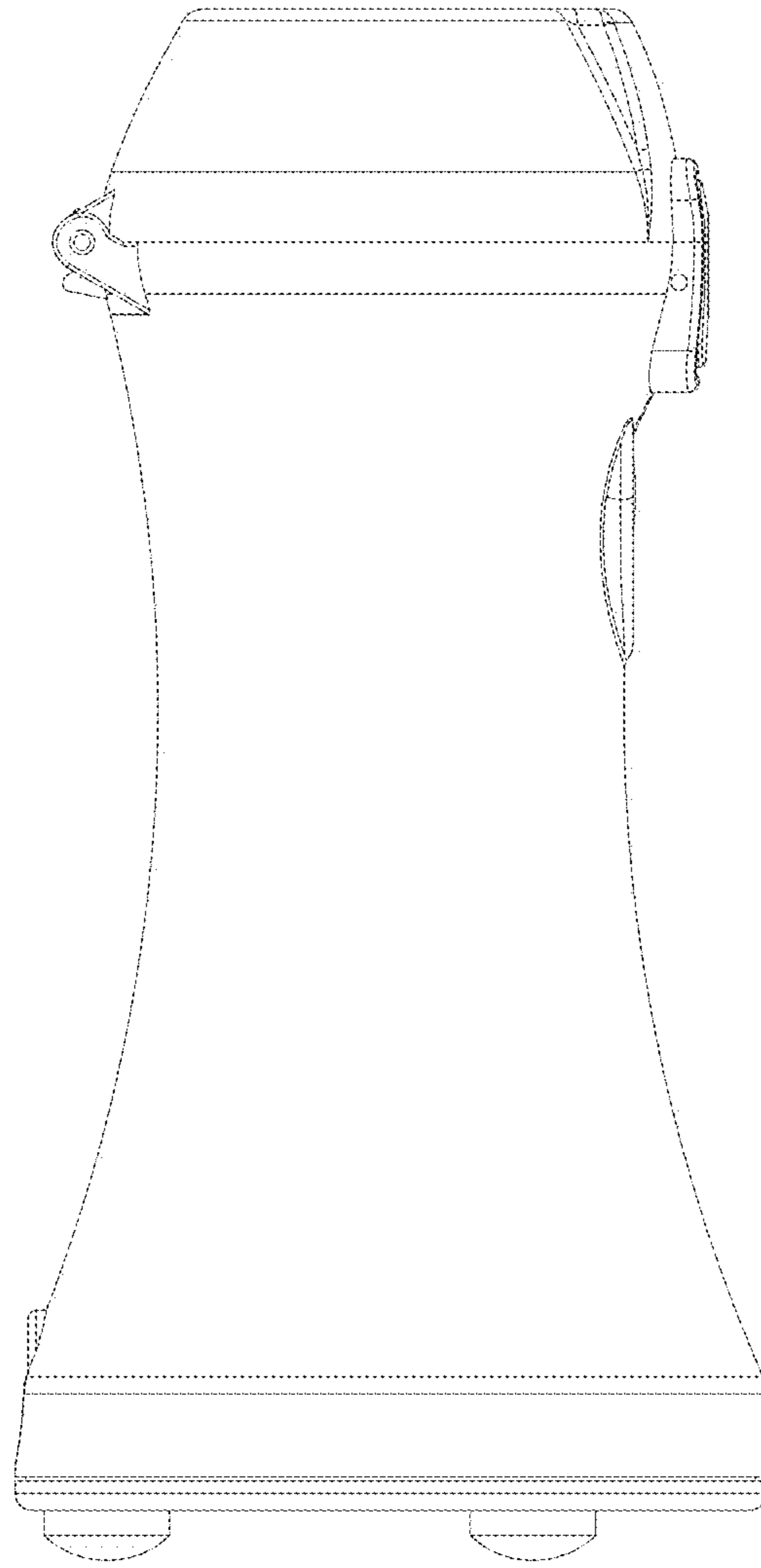


Fig. 4

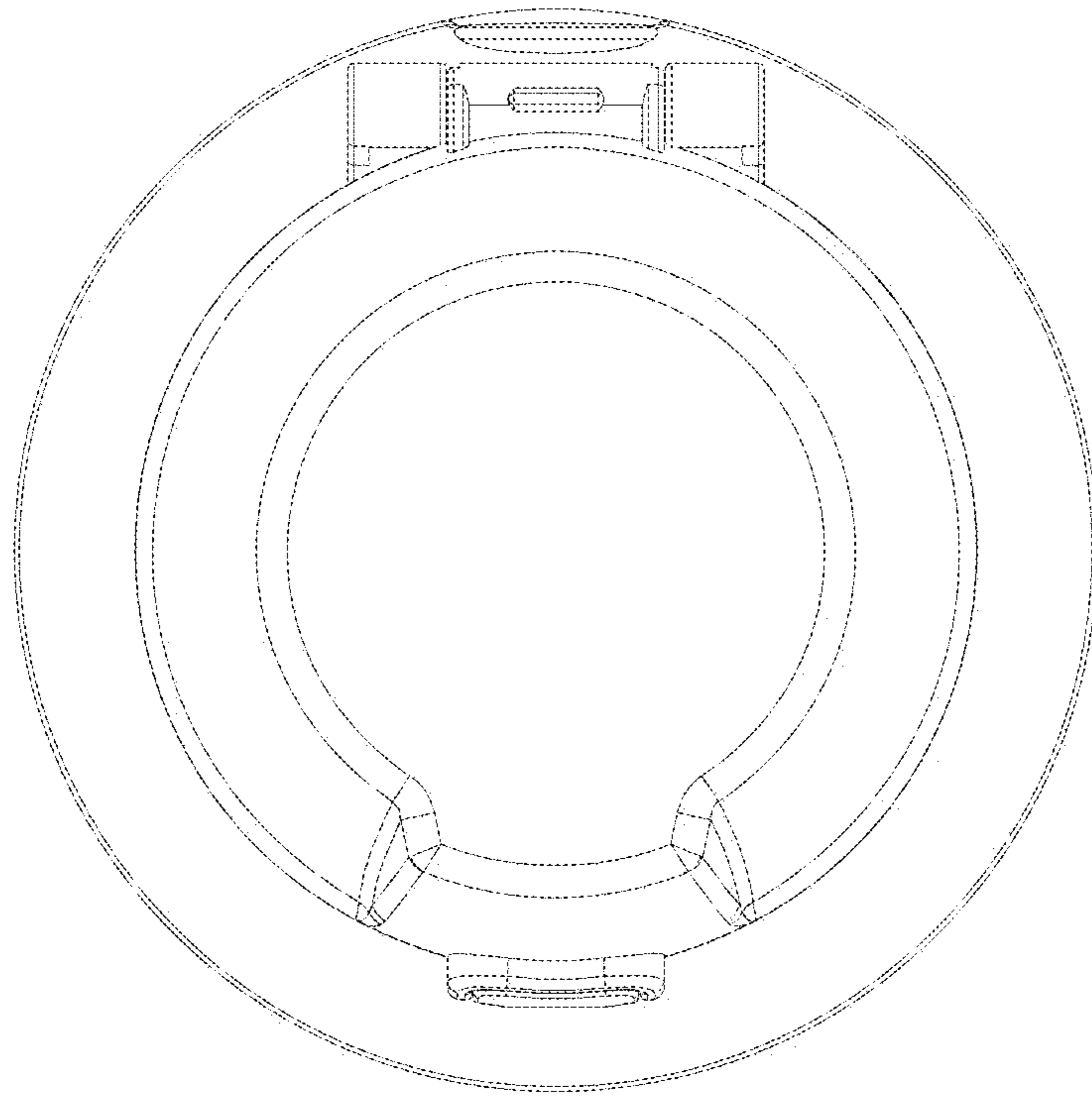


Fig. 5

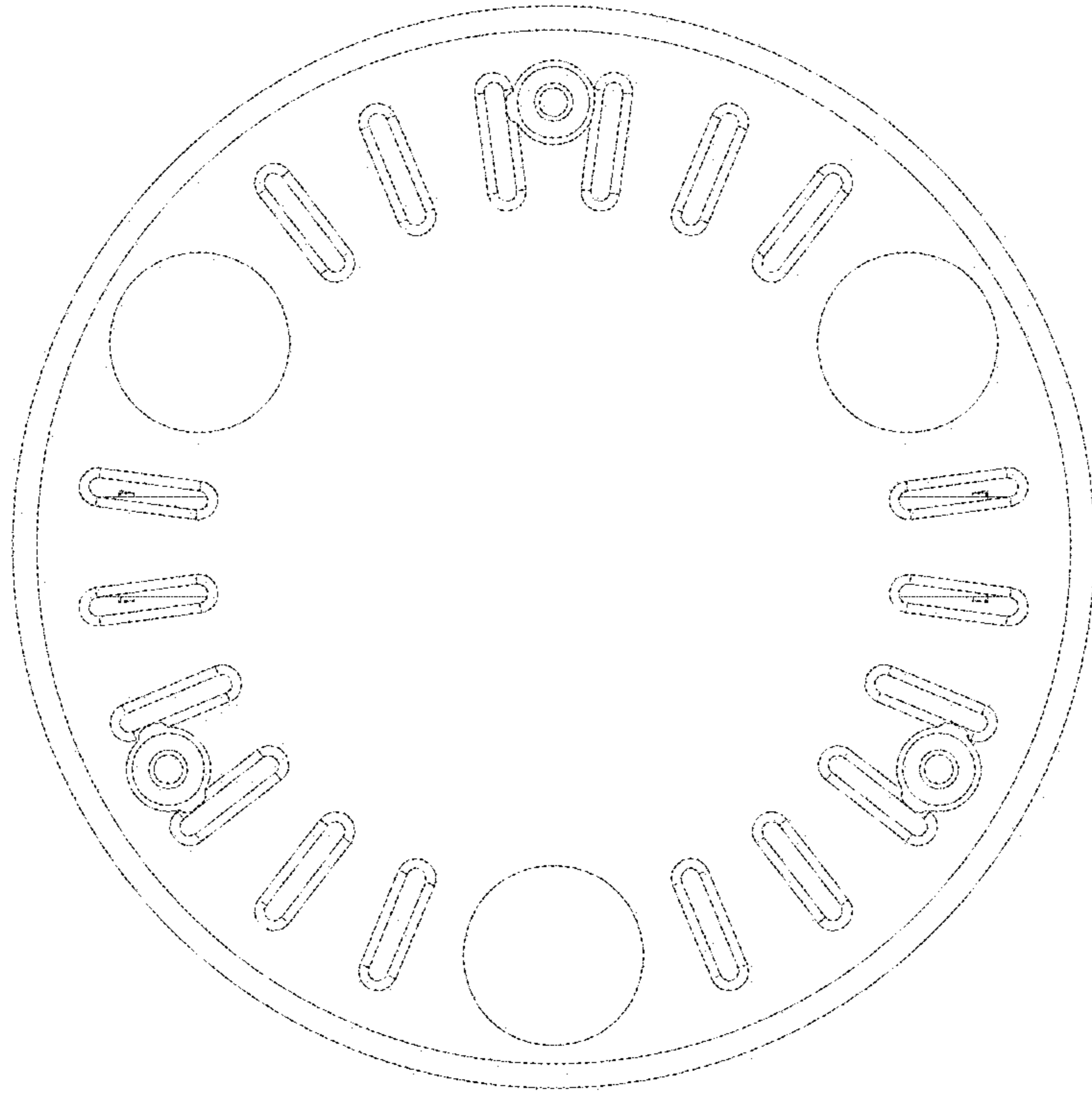


Fig. 6

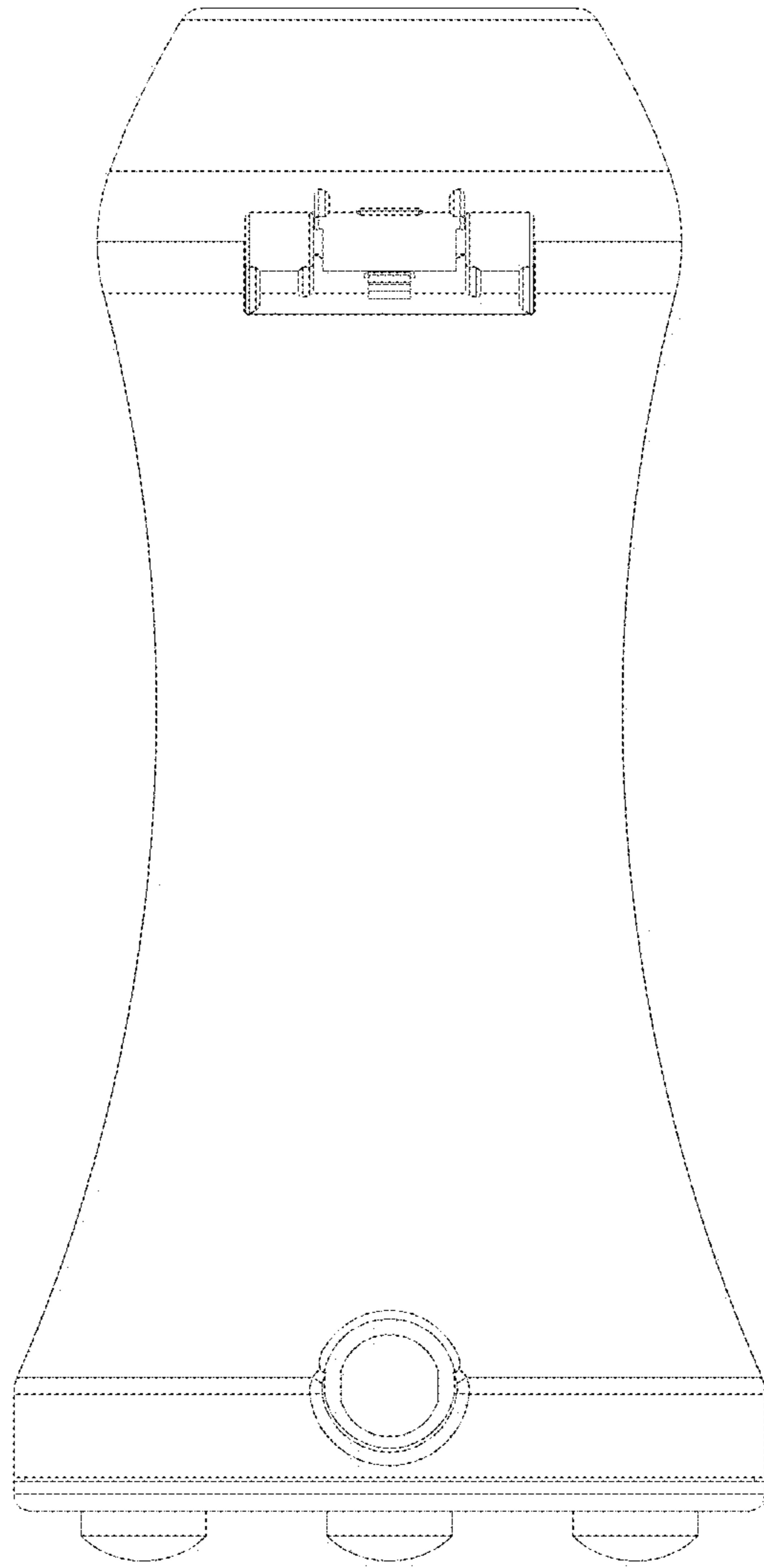


Fig. 7

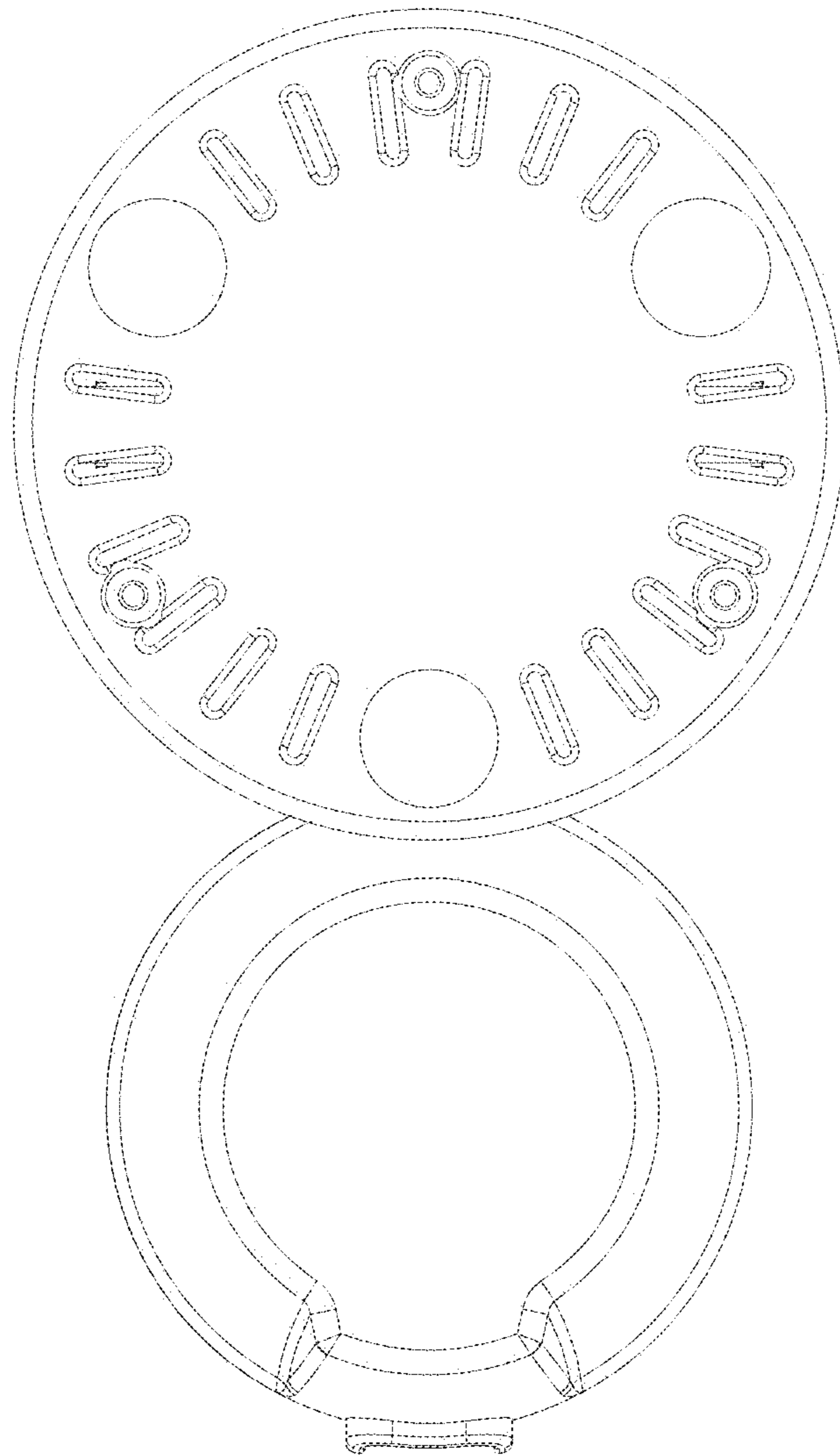


Fig. 8

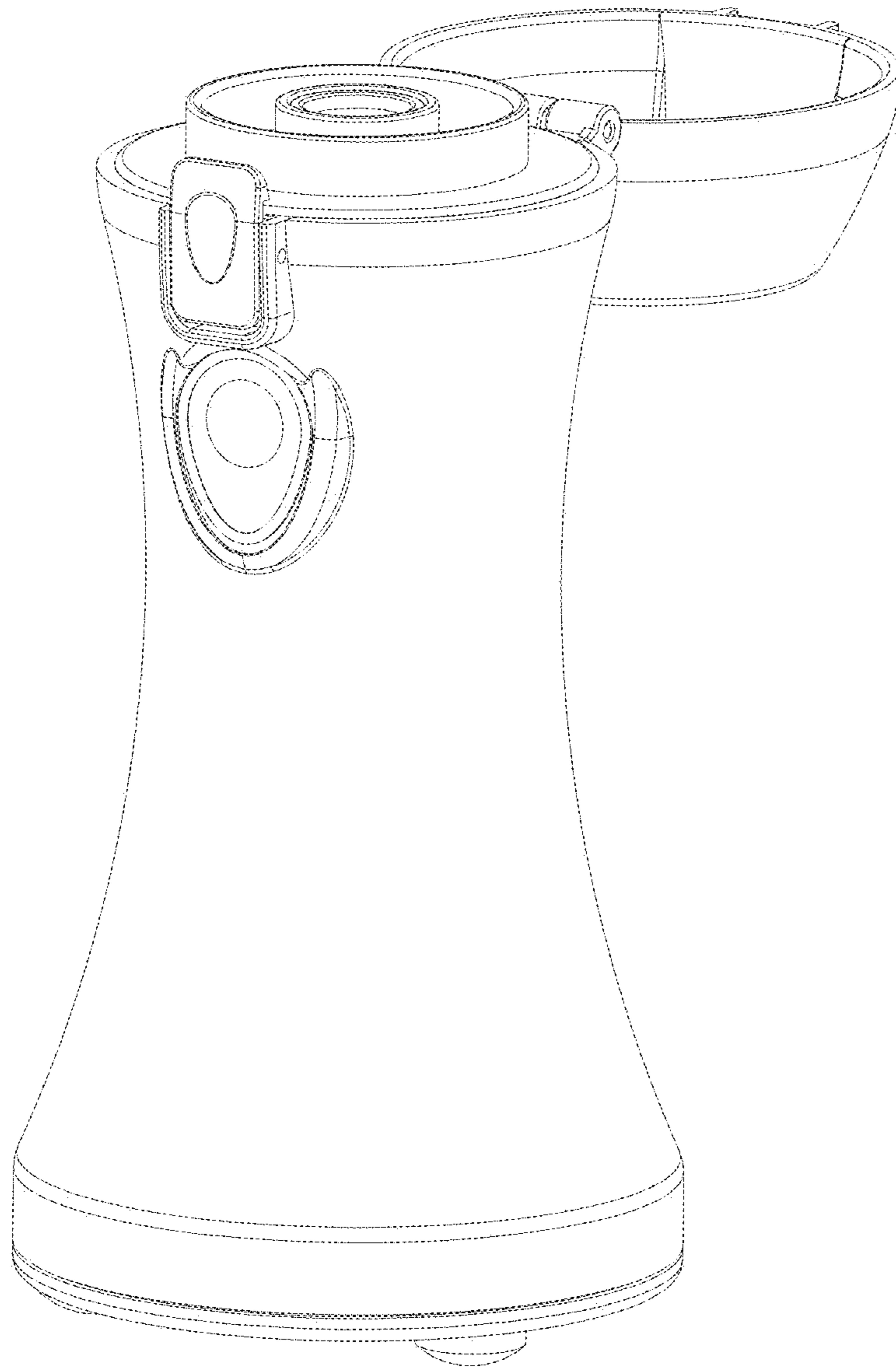


Fig. 9

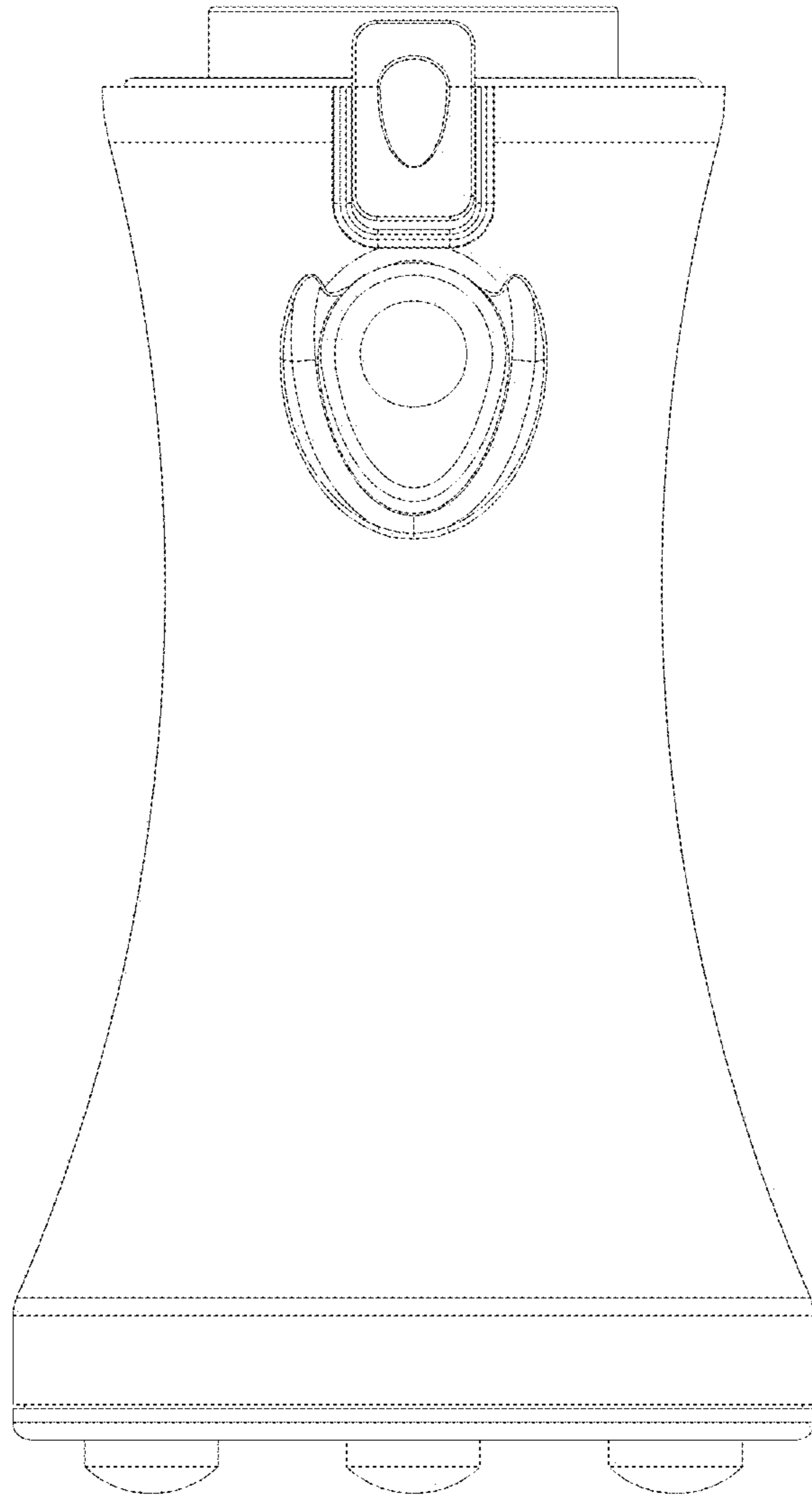


Fig. 10

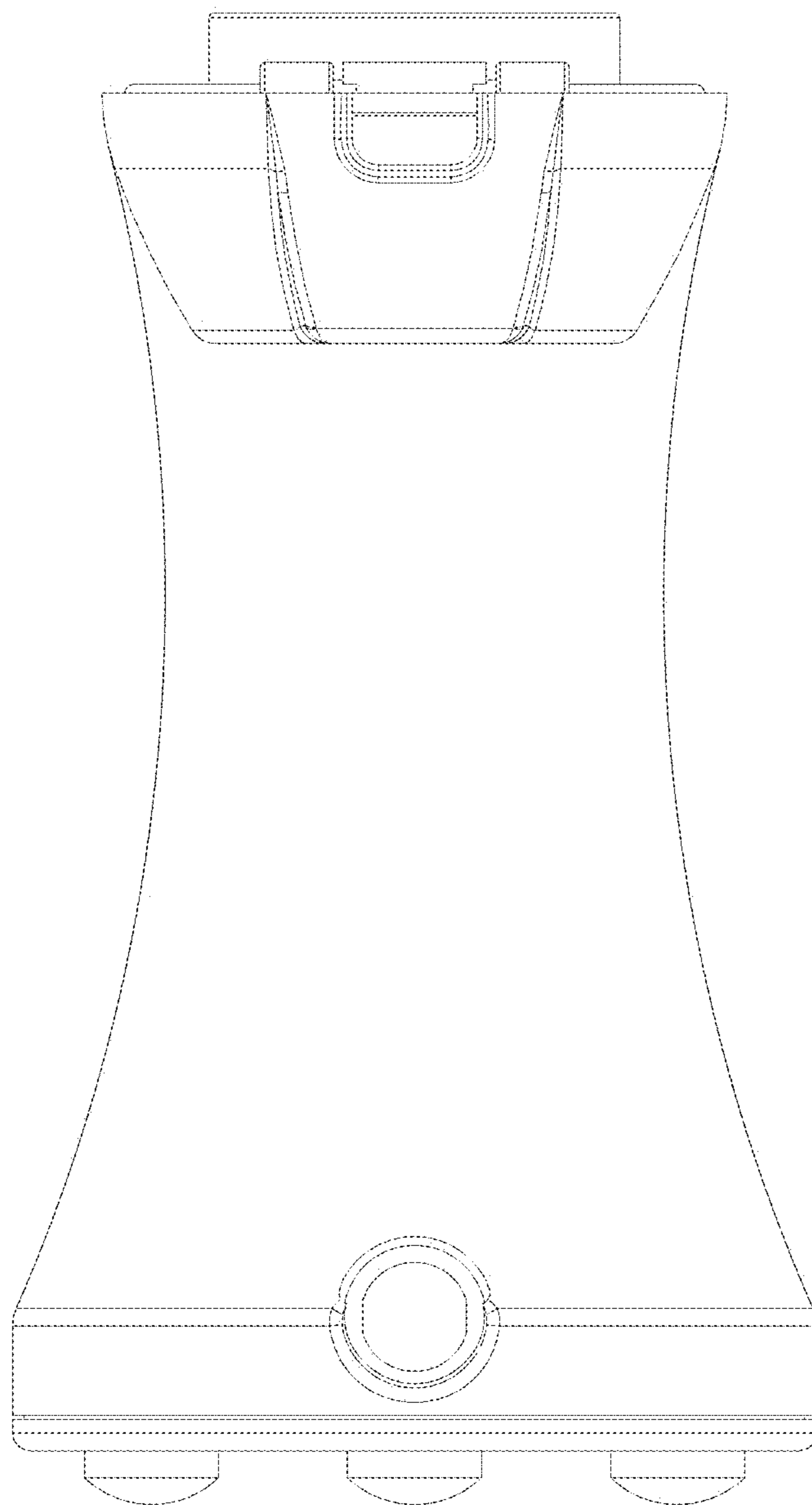


Fig. 11

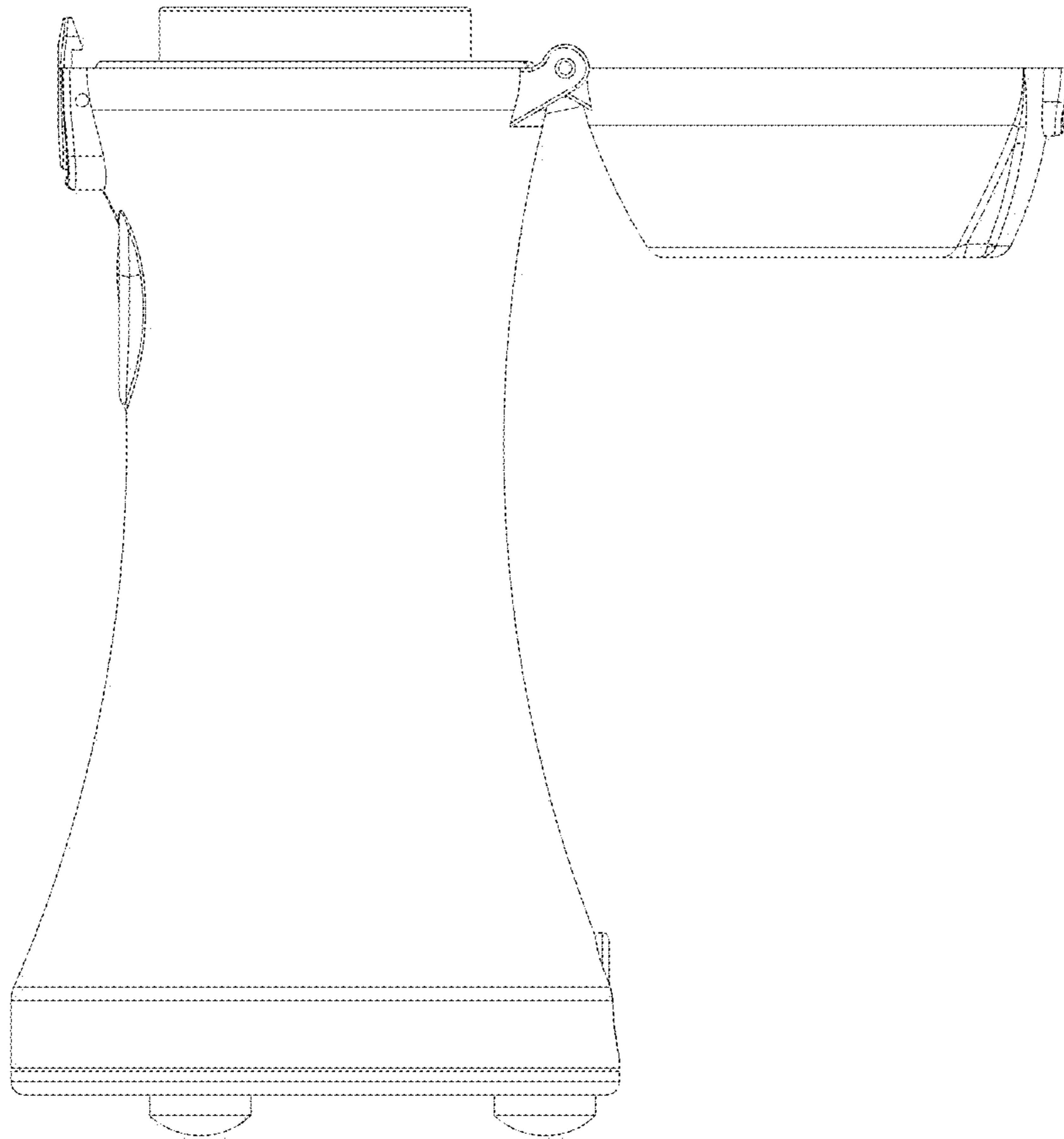


Fig. 12

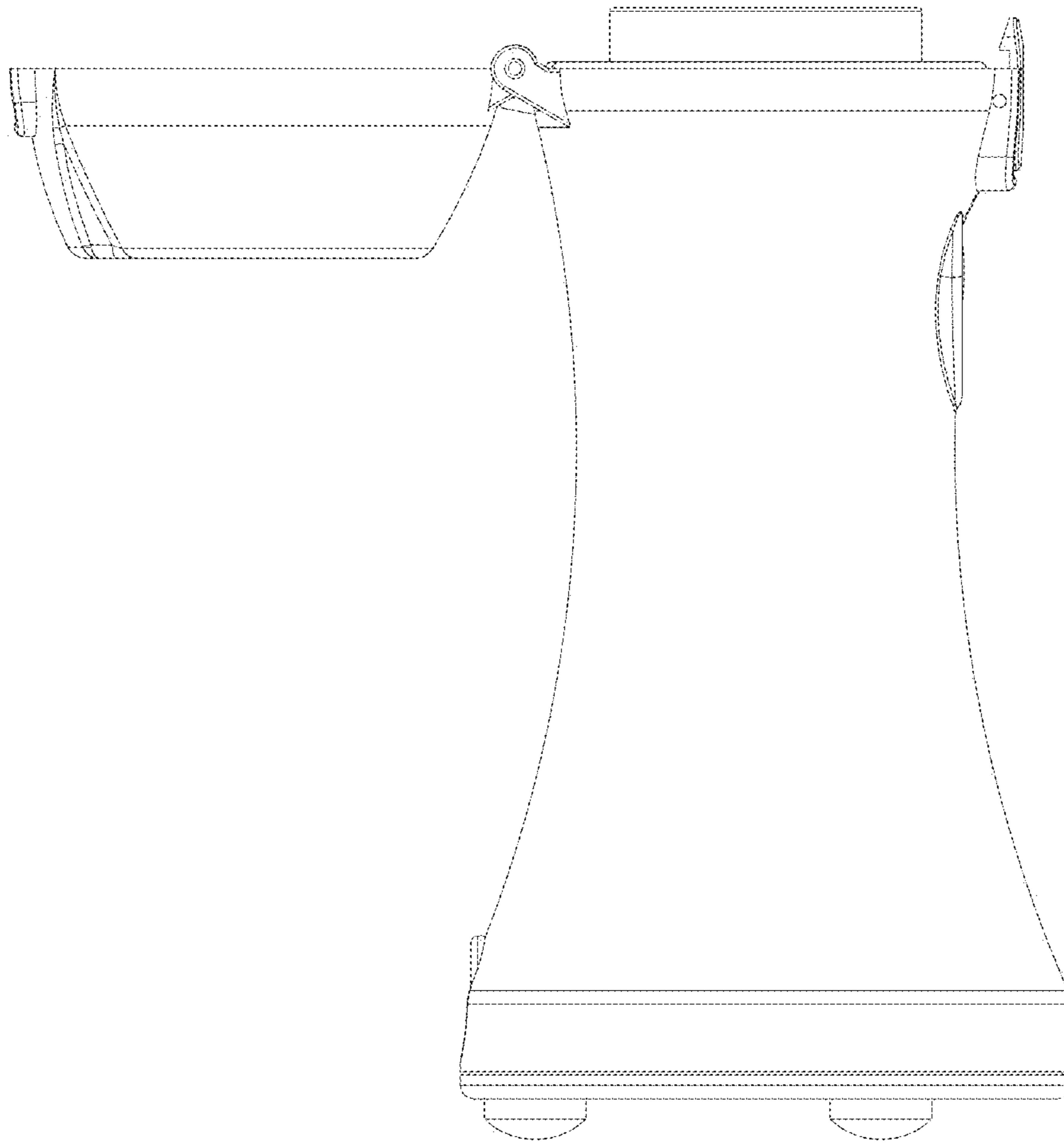


Fig. 13

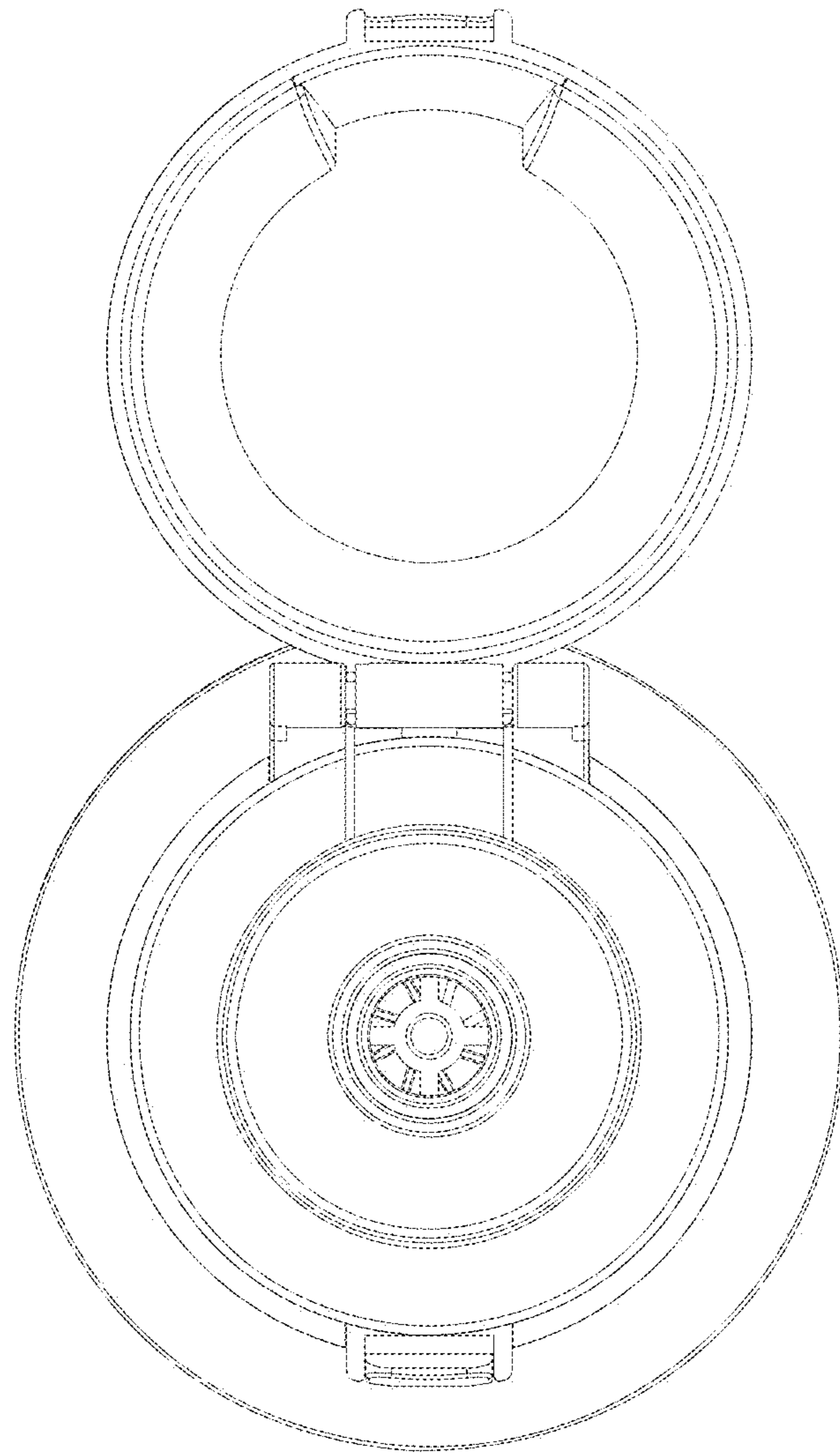


Fig. 14