



US00D692783S

(12) **United States Design Patent**  
**Yumoto**

(10) **Patent No.:** **US D692,783 S**

(45) **Date of Patent:** **\*\* Nov. 5, 2013**

(54) **VIBRATION AND TEMPERATURE  
DETECTION TRANSMITTER**

(75) Inventor: **Hideaki Yumoto**, Kakogawa (JP)

(73) Assignee: **TLV Co., Ltd.**, Hyogo (JP)

(\*\*) Term: **14 Years**

(21) Appl. No.: **29/418,675**

(22) Filed: **Apr. 19, 2012**

(30) **Foreign Application Priority Data**

Oct. 21, 2011 (JP) ..... 2011-024200

(51) **LOC (9) Cl.** ..... **10-04**

(52) **U.S. Cl.**  
USPC ..... **D10/53; D10/83**

(58) **Field of Classification Search**  
USPC ..... D10/52, 53, 46, 83; 73/649-668;  
250/338.1; 330/289; 340/577-579,  
340/584-600, 683, 870.17, 870.03-870.06,  
340/870.18, 870.19; 367/87; 374/117-119,  
374/208, 179, E1.004, E13.011, 181, 121,  
374/E7.013; 455/73, 127.2, 556.1

See application file for complete search history.

(56) **References Cited**

U.S. PATENT DOCUMENTS

D659,030 S \* 5/2012 Anselment et al. .... D10/46

\* cited by examiner

*Primary Examiner* — Antoine D Davis

(74) *Attorney, Agent, or Firm* — The Webb Law Firm

(57) **CLAIM**

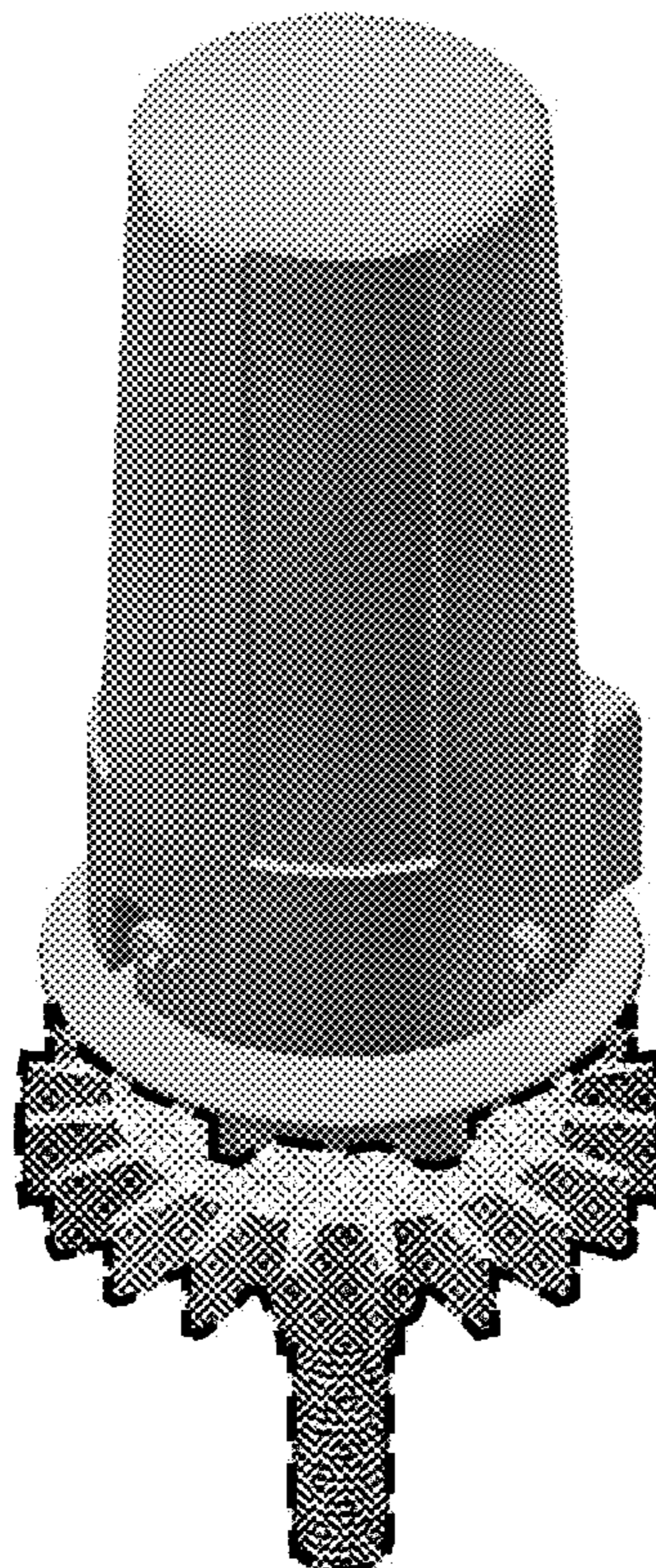
The ornamental design for a vibration and temperature detection transmitter, as shown and described.

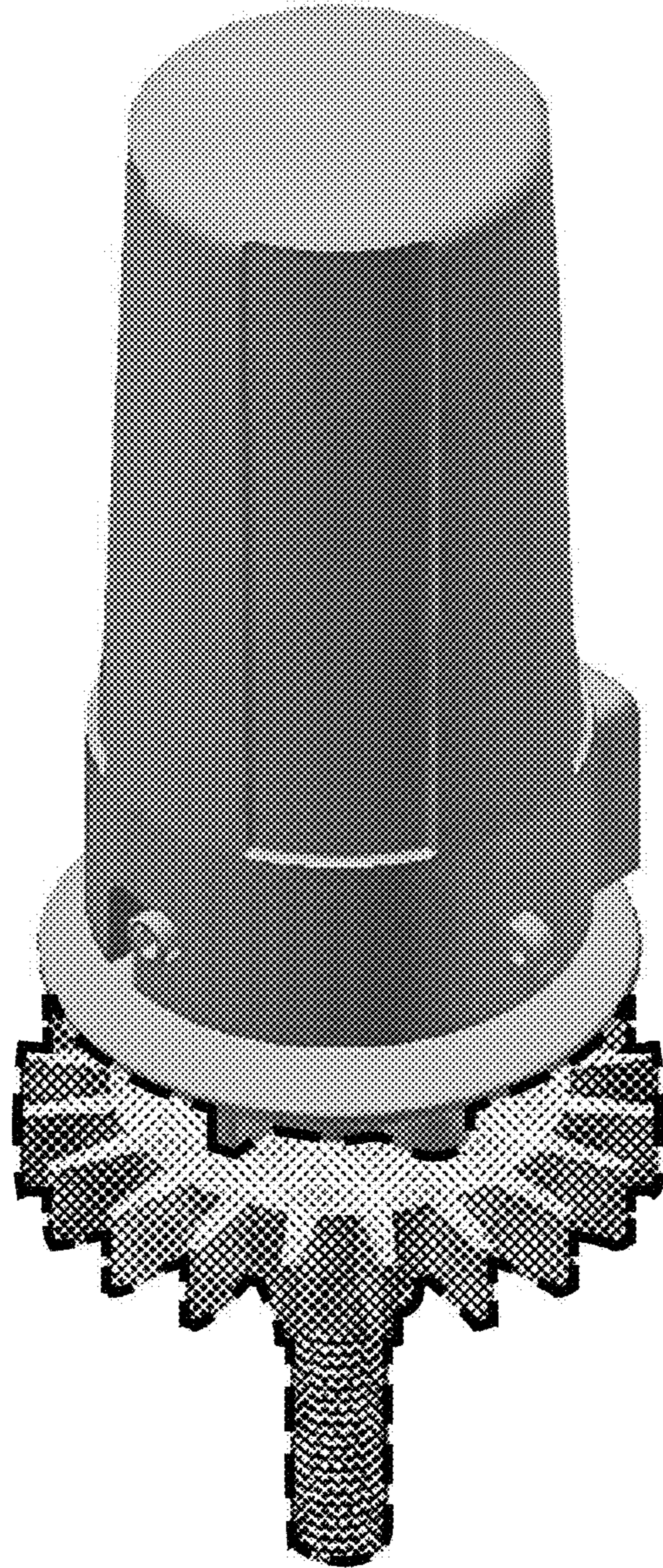
**DESCRIPTION**

FIG. 1 is a perspective view of a vibration and temperature detection transmitter in accordance with my new design; FIG. 2 is a front view thereof; FIG. 3 is a left side view thereof; FIG. 4 is a right side view thereof; FIG. 5 is a rear view thereof; and, FIG. 6 is a top view thereof.

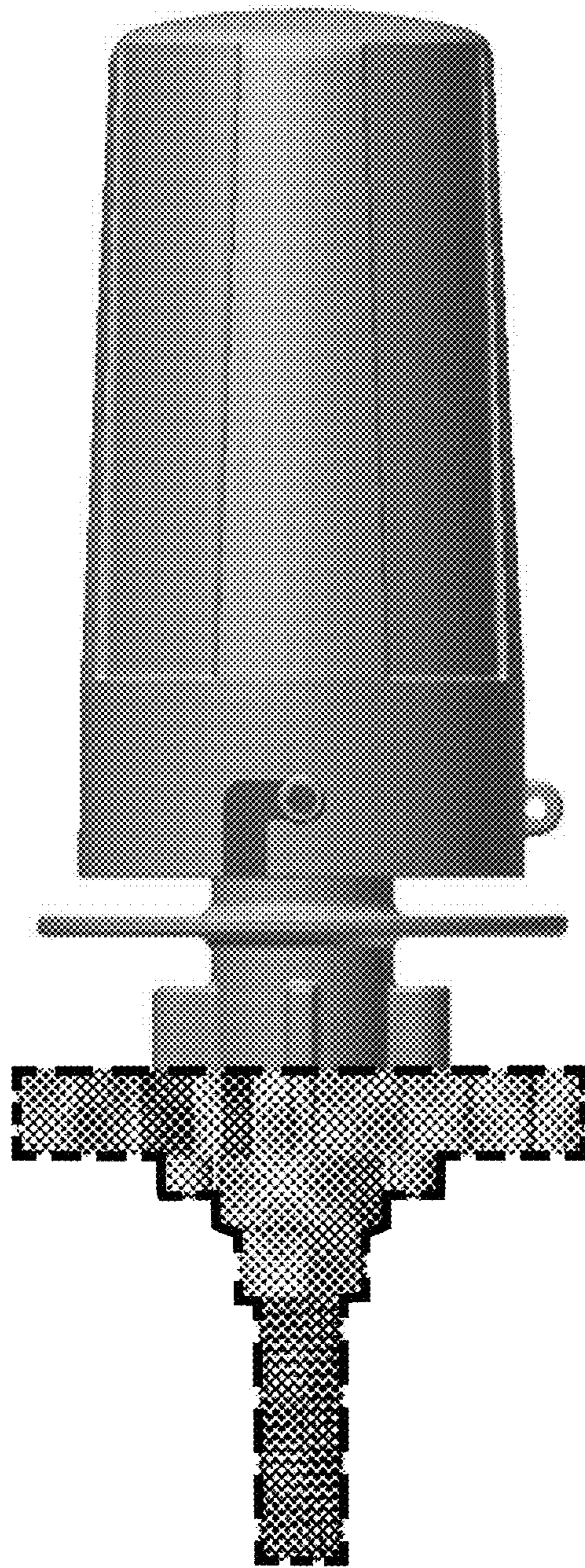
The portions of the vibration and temperature detection transmitter shown in coarse dot pattern and outlined in dashed lines form no part of the claimed design.

**1 Claim, 6 Drawing Sheets**

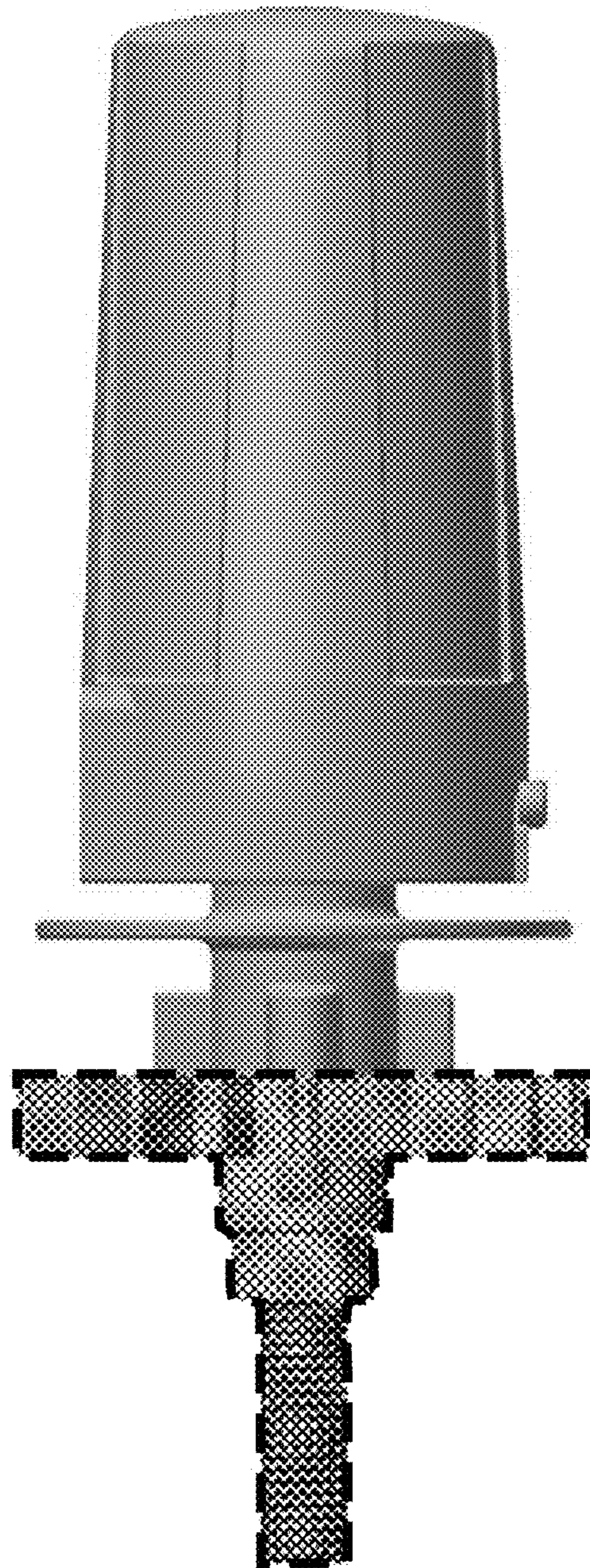




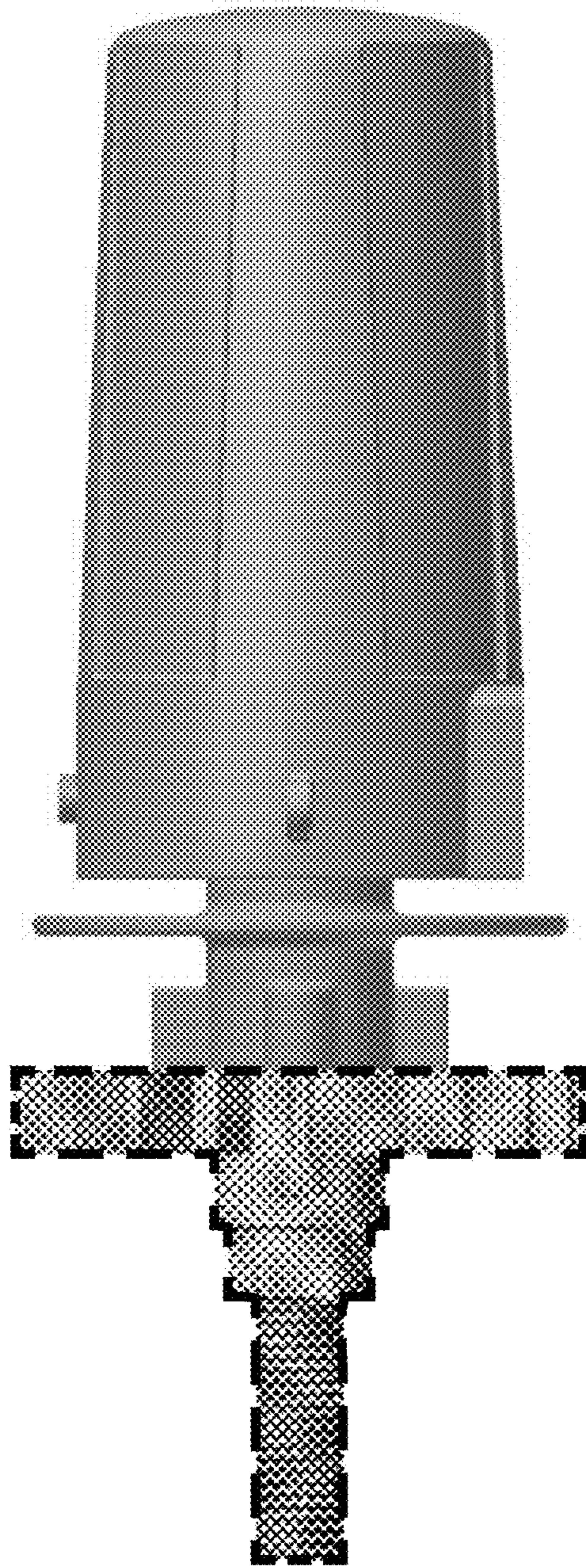
**FIG. 1**



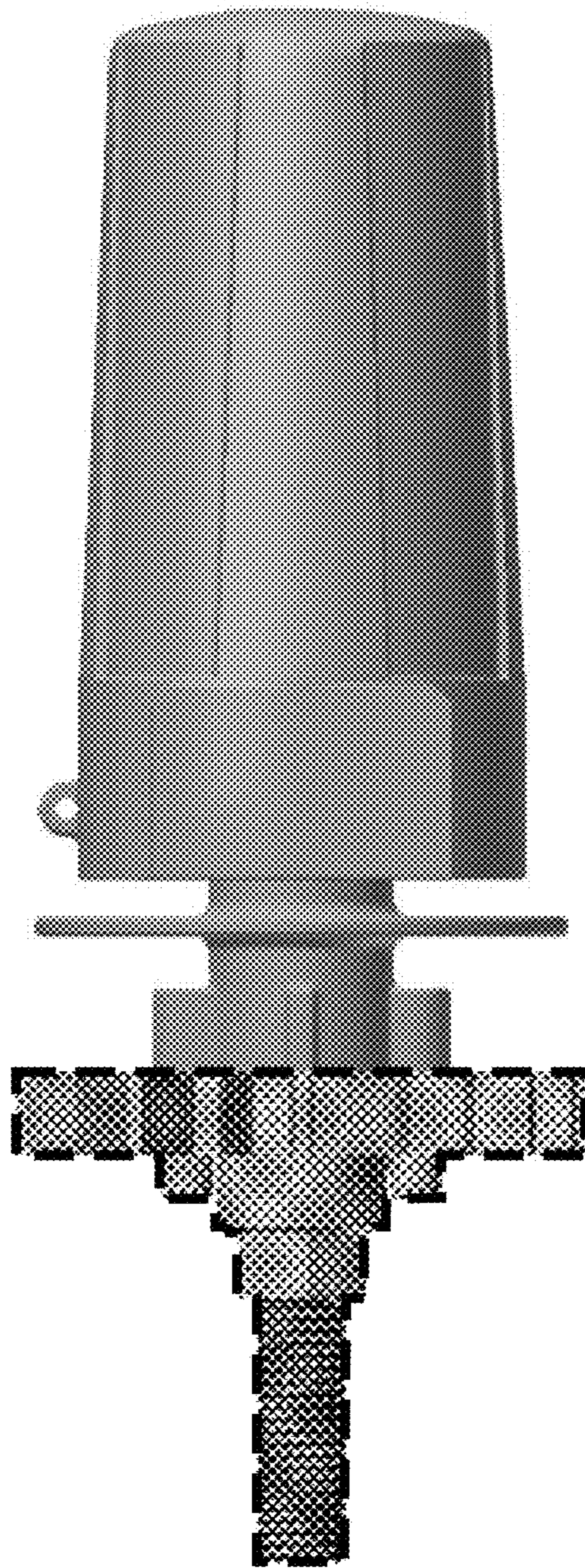
**FIG. 2**



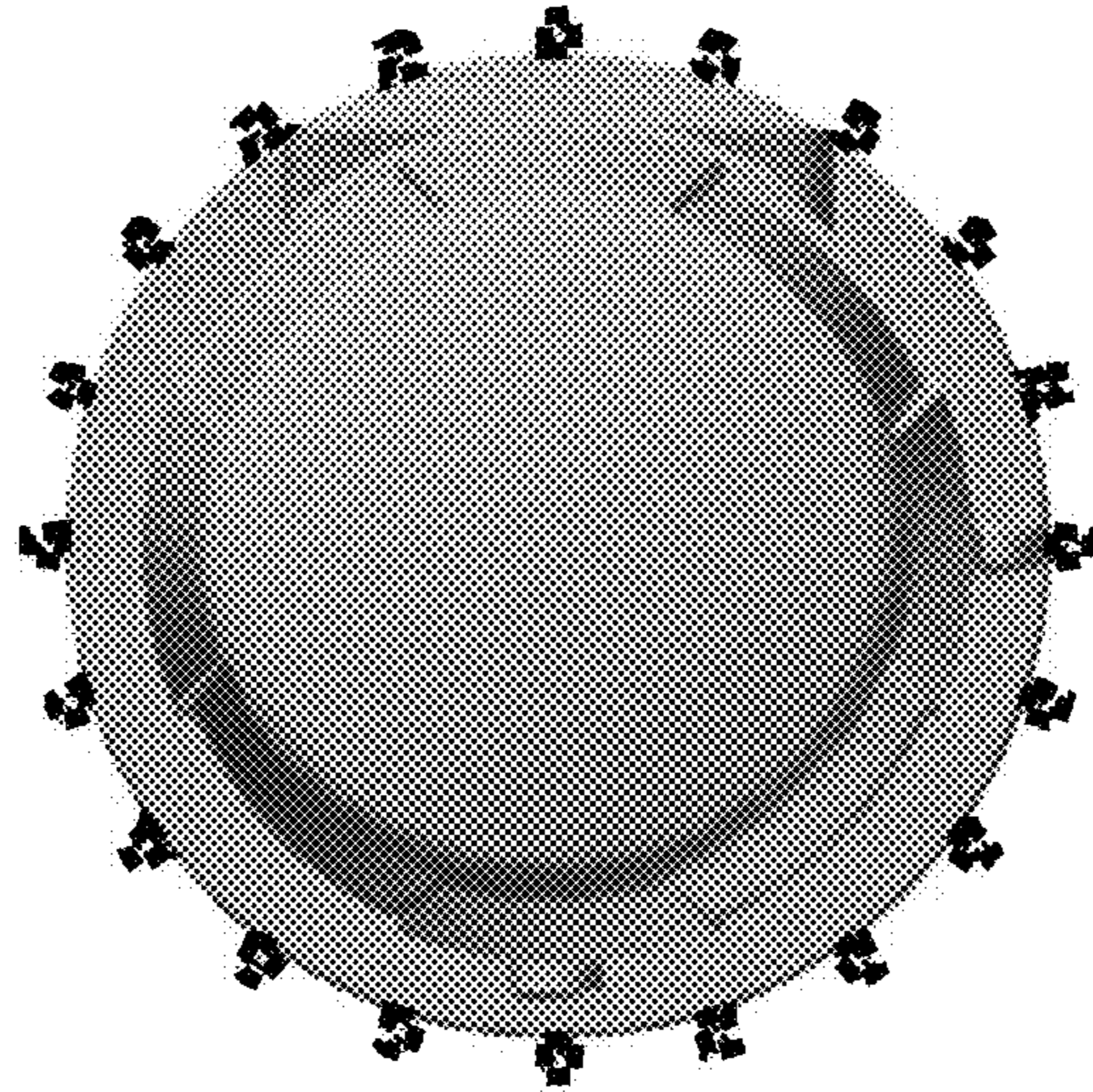
**FIG. 3**



**FIG. 4**



**FIG. 5**



**FIG. 6**