



US00D692782S

(12) **United States Design Patent**
Hirayama

(10) **Patent No.:** **US D692,782 S**
(45) **Date of Patent:** **** Nov. 5, 2013**

- (54) **RADIATION SHIELDING DEVICE**
 - (71) Applicant: **Japan Shield Technical Research Co., Ltd.**, Tokyo (JP)
 - (72) Inventor: **Takahiro Hirayama**, Fukushima (JP)
 - (73) Assignee: **Japan Shield Technical Research Co., Ltd.**, Tokyo (JP)
 - (**) Term: **14 Years**
 - (21) Appl. No.: **29/451,654**
 - (22) Filed: **Apr. 5, 2013**
 - (51) **LOC (9) Cl.** **10-04**
 - (52) **U.S. Cl.**
USPC **D10/47**; D10/103; D24/216
 - (58) **Field of Classification Search**
USPC D10/47, 103; D3/201, 203.1, 315, 905; D9/679, 681, 715, 718, 500; D24/216, D24/121, 224, 232; 109/83; 206/364, 365, 206/438; 220/23.87, 679; 250/515.1, 517.1, 250/505.1, 506.1, 507.1, 270, 358.1, 359.1, 250/390.07, 395, 432 PD, 455.11, 496.1, 250/497.1; 280/47.315, 40, 38, 35, 47.17, 280/47.18, 47.24, 47.27, 47.29, 42, 63, 655, 280/638, 641, 645, 646, 651, 652, 654; 588/3, 16; 600/3-5
- See application file for complete search history.

JP 2012159517 A 8/2012

* cited by examiner

Primary Examiner — Antoine D Davis

(74) *Attorney, Agent, or Firm* — Kilyk & Bowersox, P.L.L.C.

(57) **CLAIM**

The ornamental design for a radiation shielding device, as shown and described.

DESCRIPTION

FIG. 1 is a top perspective view of a radiation shielding device showing a first embodiment of my new design;
 FIG. 2 is a front elevation view of the first embodiment;
 FIG. 3 is a back elevation view of the first embodiment;
 FIG. 4 is a top plan view of the first embodiment;
 FIG. 5 is a bottom plan view of the first embodiment;
 FIG. 6 is a right side elevation view of the first embodiment;
 FIG. 7 is a left side elevation view of the first embodiment;
 FIG. 8 is a cross sectional view along line 8-8 of FIG. 2;
 FIG. 9 is a top perspective view of the first embodiment, a lid of the device being open and the lid having a pocket for a personal radiation detector;
 FIG. 10 is a reference view of the first embodiment with the lid being open and the radiation detector being put into the pocket;
 FIG. 11 is a top perspective view of a radiation shielding device showing a second embodiment;
 FIG. 12 is a front elevation view of the second embodiment;
 FIG. 13 is a back elevation view of the second embodiment;
 FIG. 14 is a top plan view of the second embodiment;
 FIG. 15 is a bottom plan view of the second embodiment;
 FIG. 16 is a right side elevation view of the second embodiment;
 FIG. 17 is a left side elevation view of the second embodiment;
 FIG. 18 is a top perspective view of the second embodiment, a lid of the device being open and the lid having a pocket for a personal radiation detector;

(56) **References Cited**

U.S. PATENT DOCUMENTS

4,084,097	A *	4/1978	Czaplinski et al.	250/506.1
4,641,030	A *	2/1987	Regimand	850/63
5,032,719	A *	7/1991	Gleason et al.	250/252.1
D525,032	S *	7/2006	Jones	D3/315
7,385,213	B2 *	6/2008	Chen	250/506.1
D588,478	S *	3/2009	Nemeth et al.	D10/47

FOREIGN PATENT DOCUMENTS

JP 55118179 U 8/1980

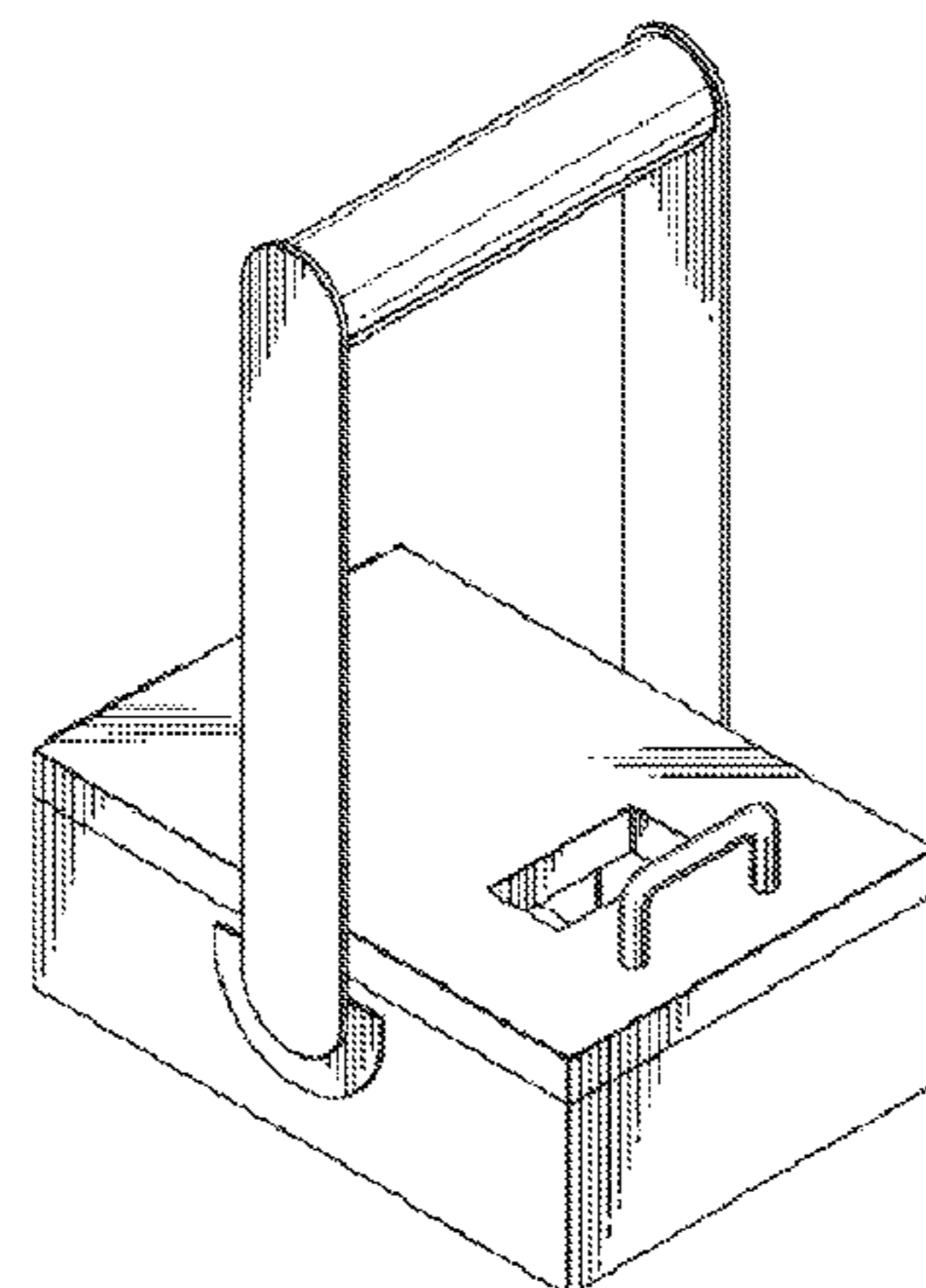


FIG. **19** is a top perspective view of a radiation shielding device showing a third embodiment, the radiation shielding device comprising a main body and a lid removable from the main body;

FIG. **20** is a front and back elevation view of the third embodiment;

FIG. **21** is a top plan view of the third embodiment;

FIG. **22** is a bottom plan view of the third embodiment;

FIG. **23** is a right and left side elevation view of the third embodiment;

FIG. **24** is a cross sectional view along line **24-24** of FIG. **20**;

FIG. **25** is a reference view of the third embodiment for illustrating the main body; and,

FIG. **26** is a reference view of the third embodiment for illustrating the lid with a pocket for a personal radiation detector.

1 Claim, 13 Drawing Sheets

FIG. 1

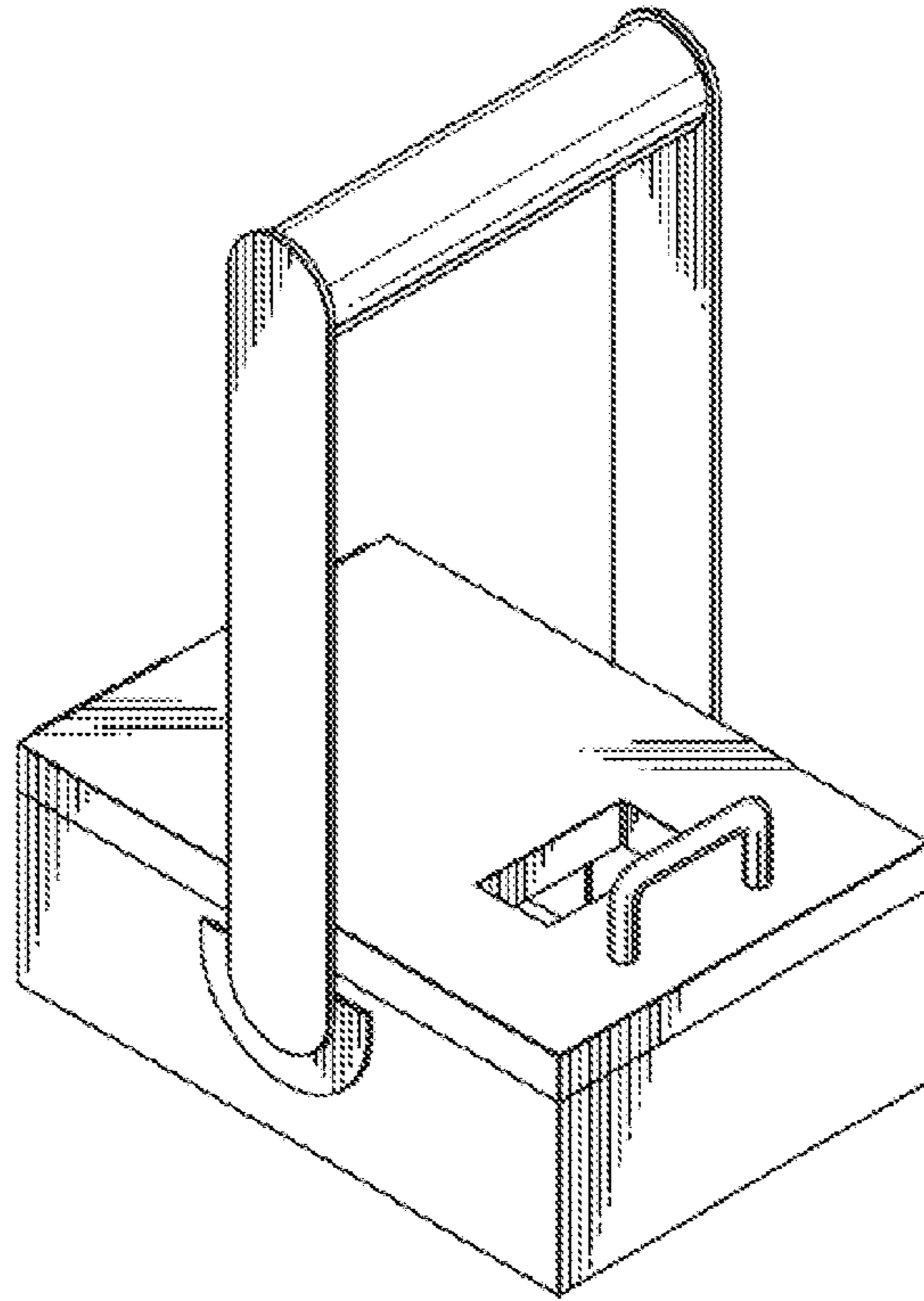
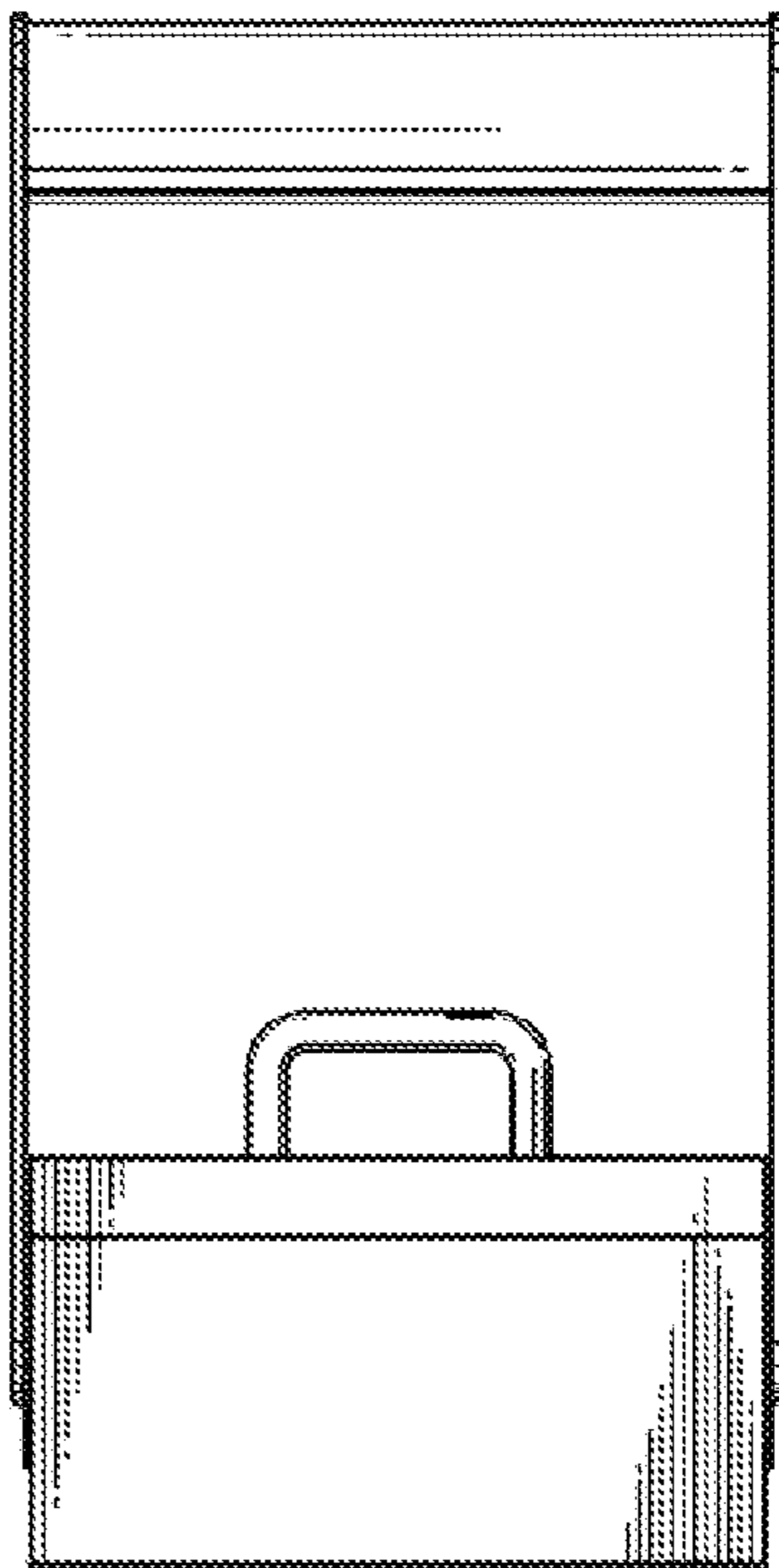


FIG. 2

8



8

FIG. 3

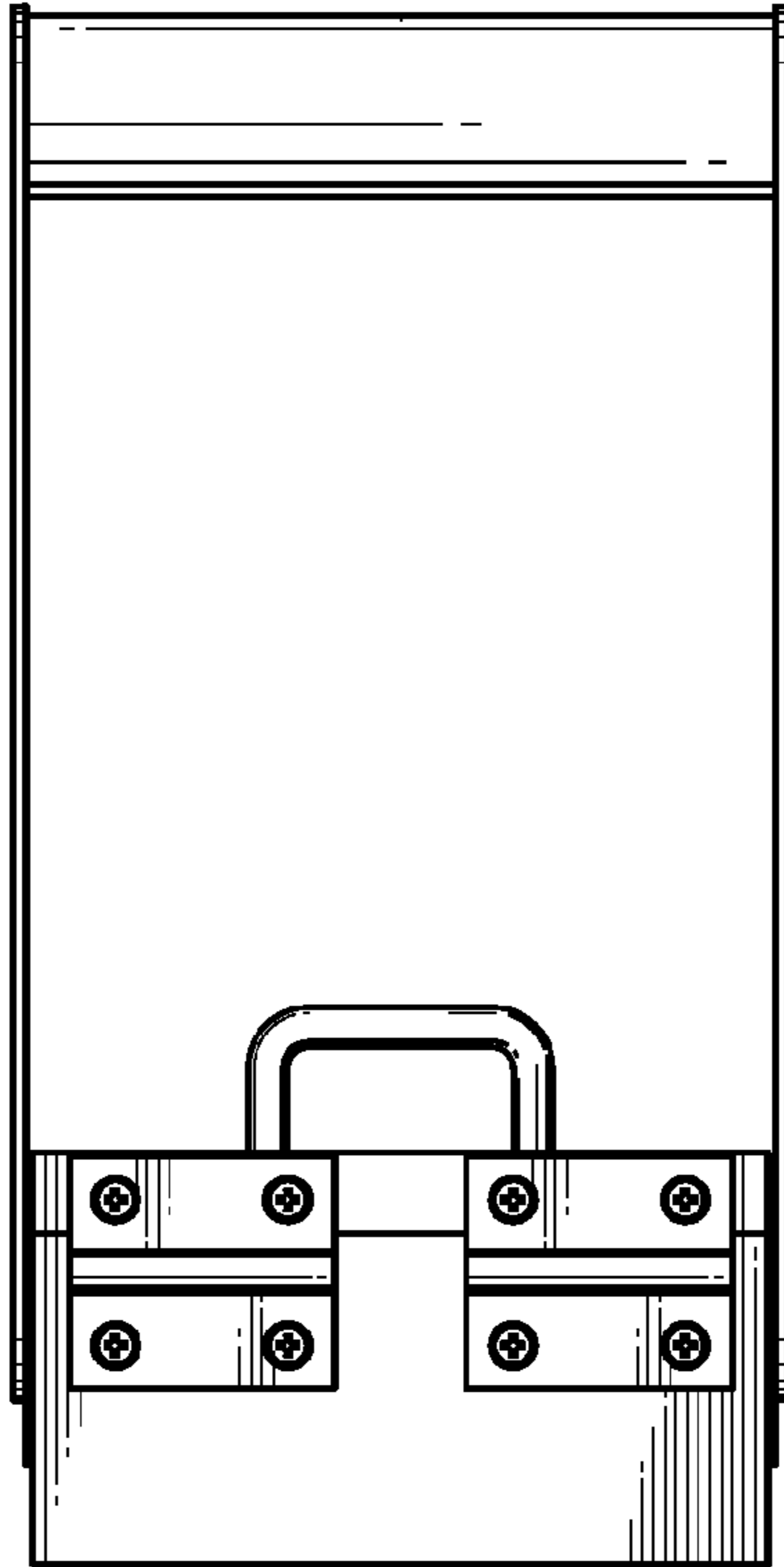


FIG. 4

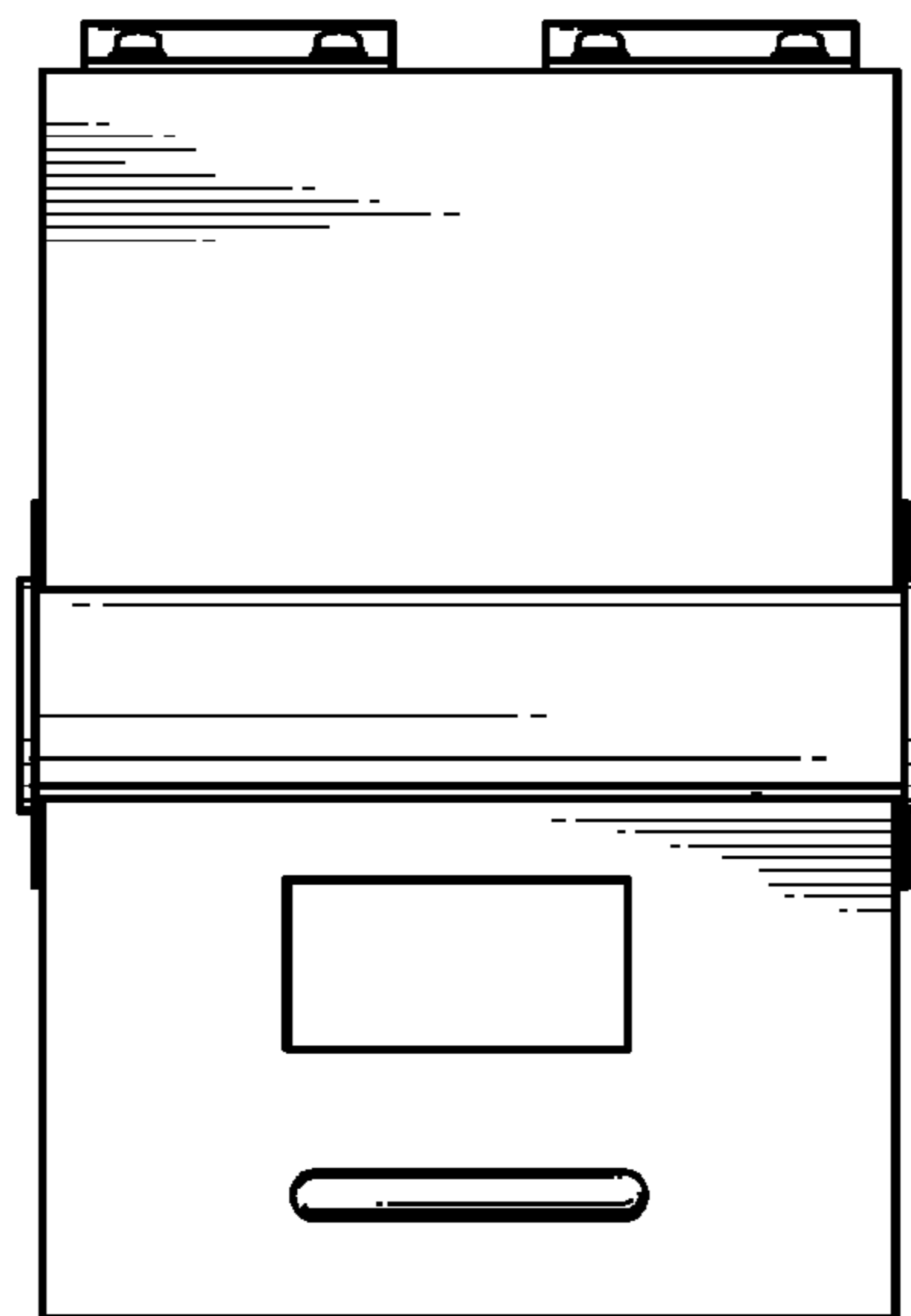


FIG. 5

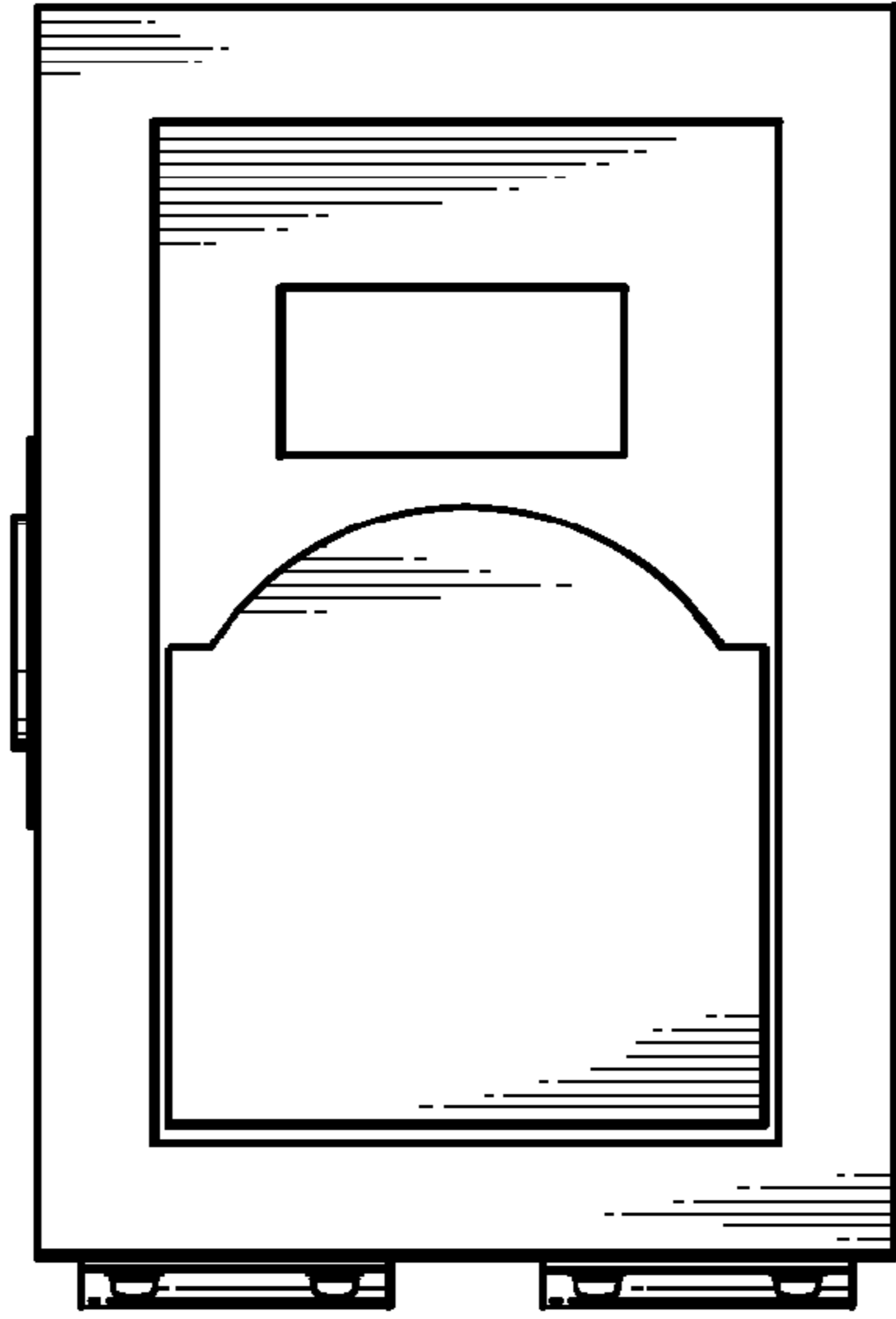


FIG. 6

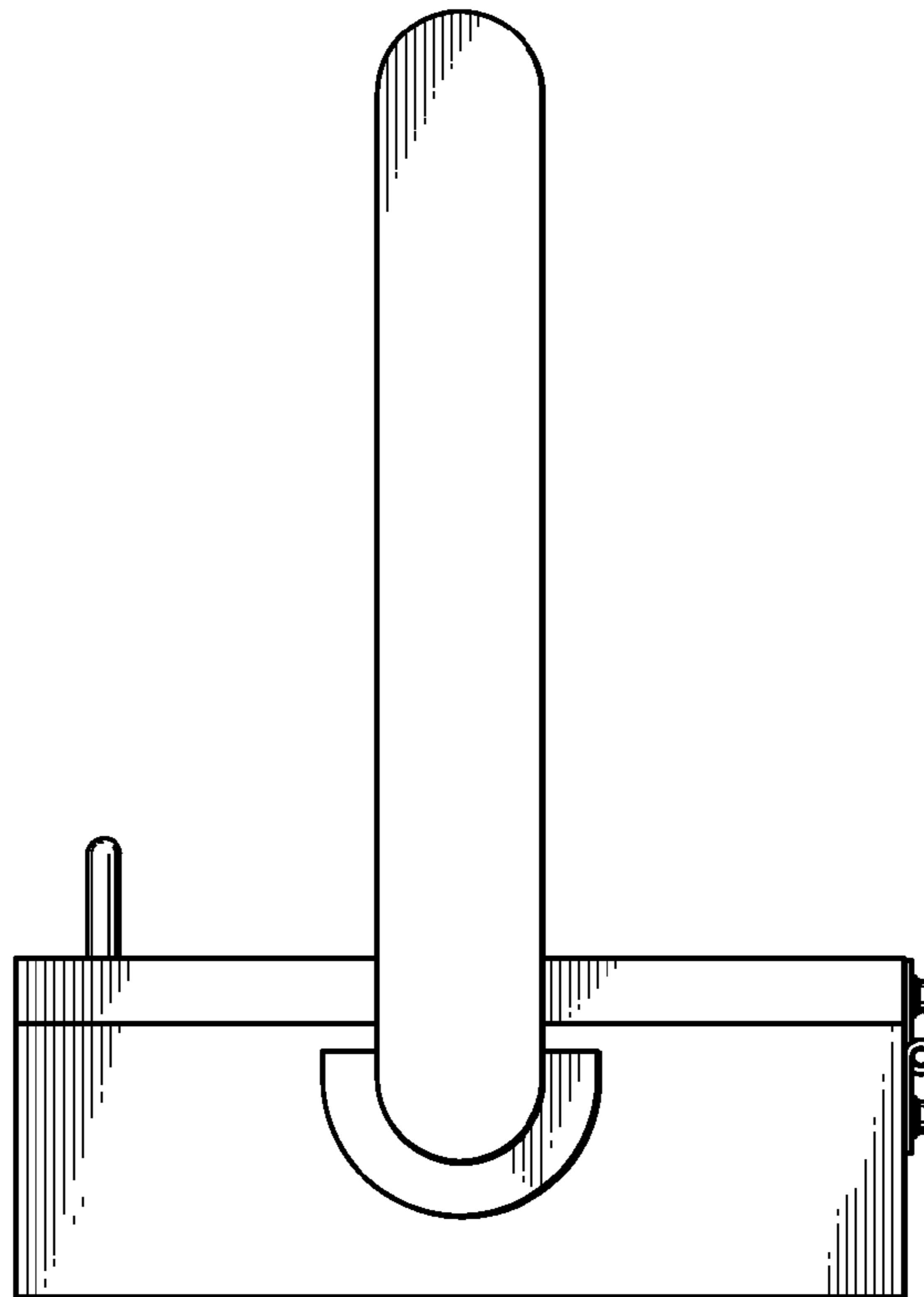


FIG. 7

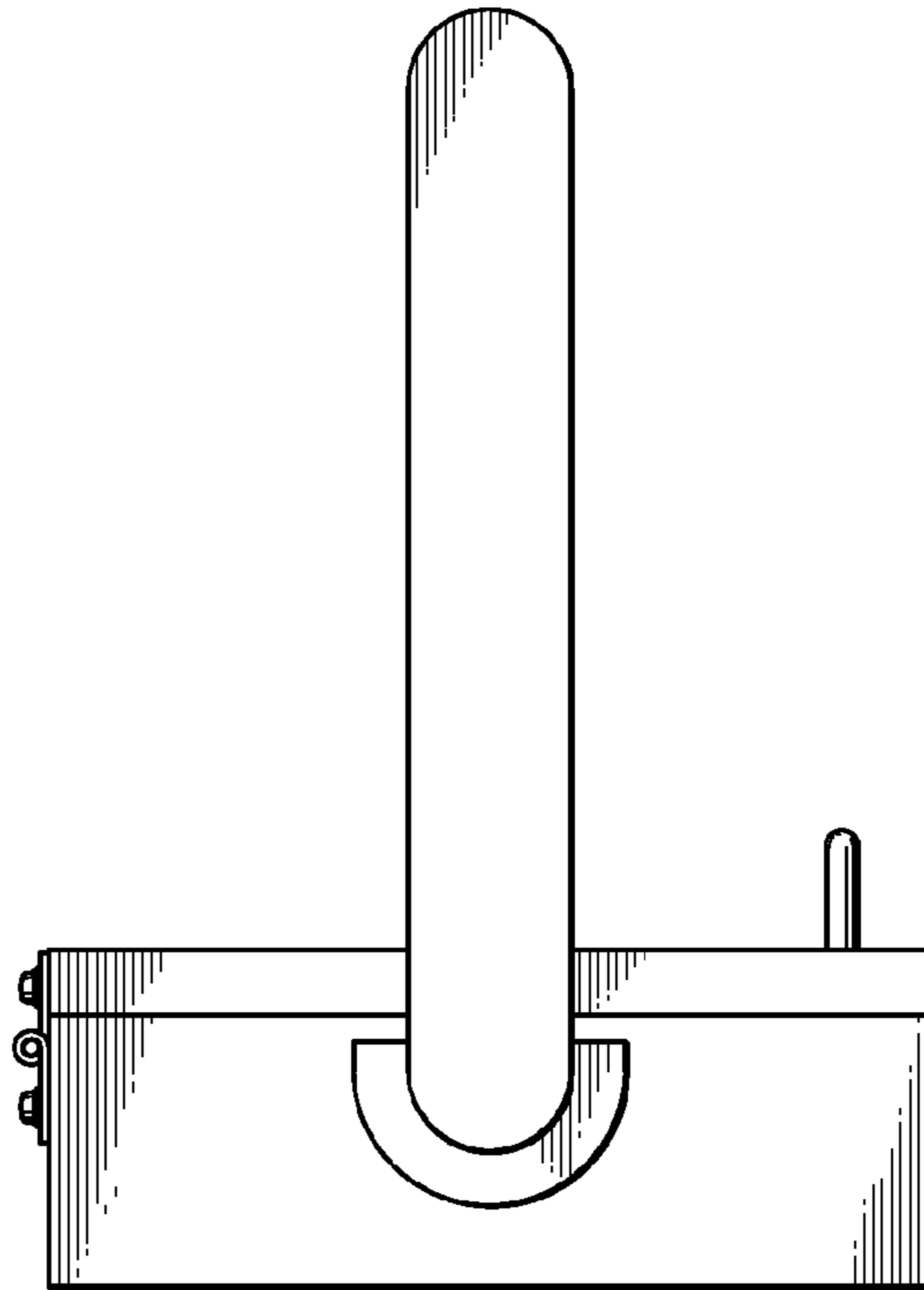


FIG. 8

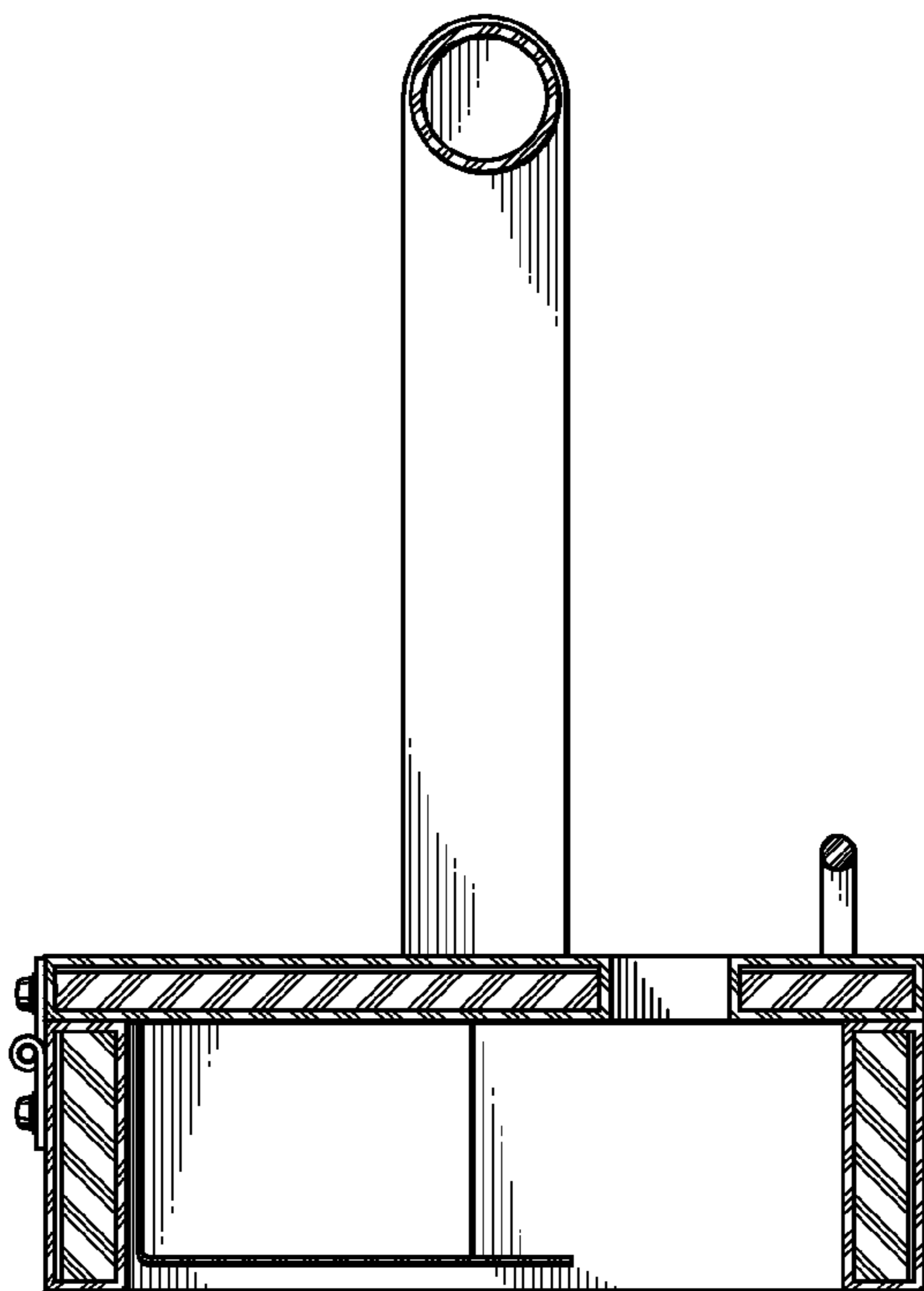


FIG. 9

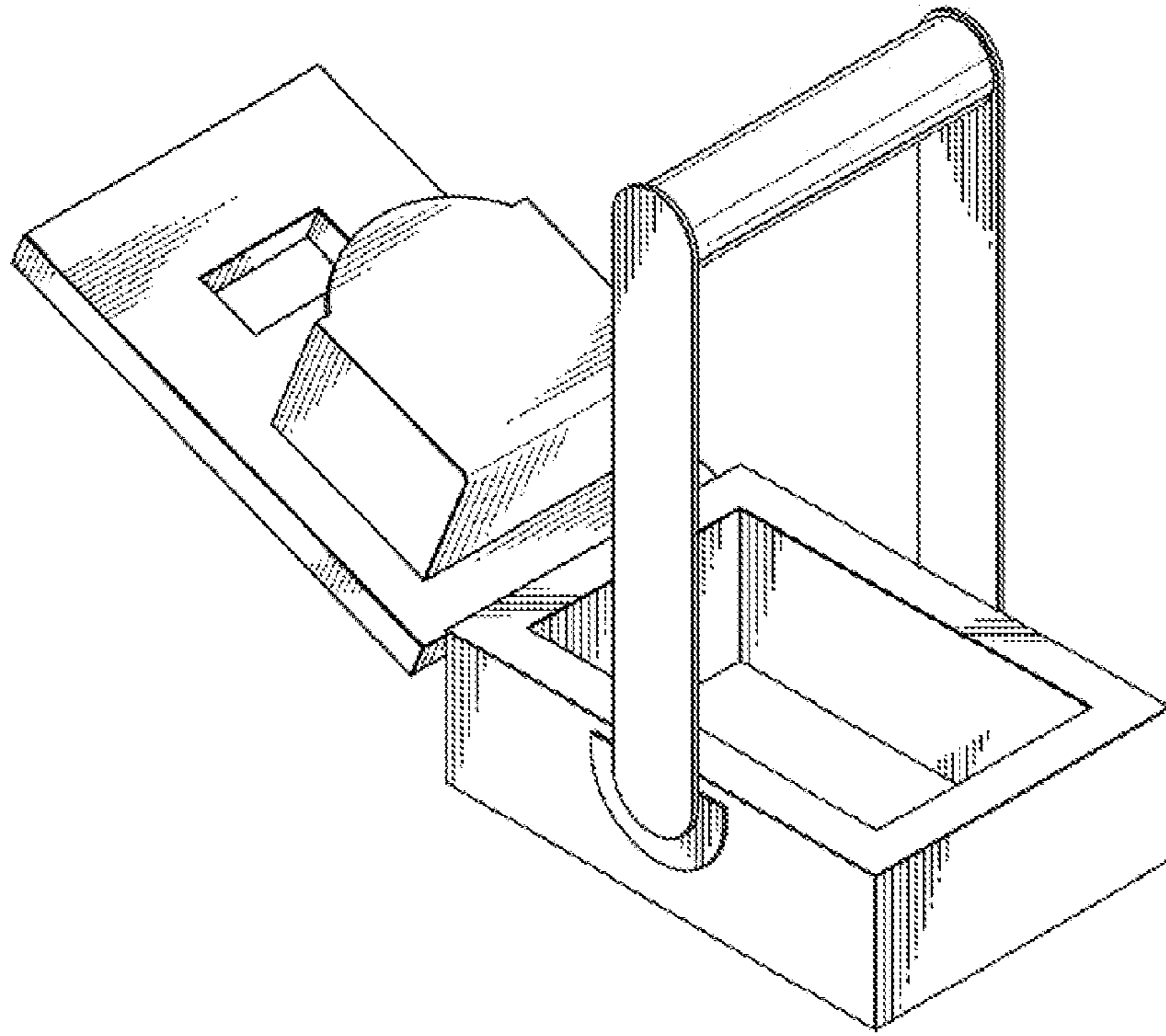


FIG. 10

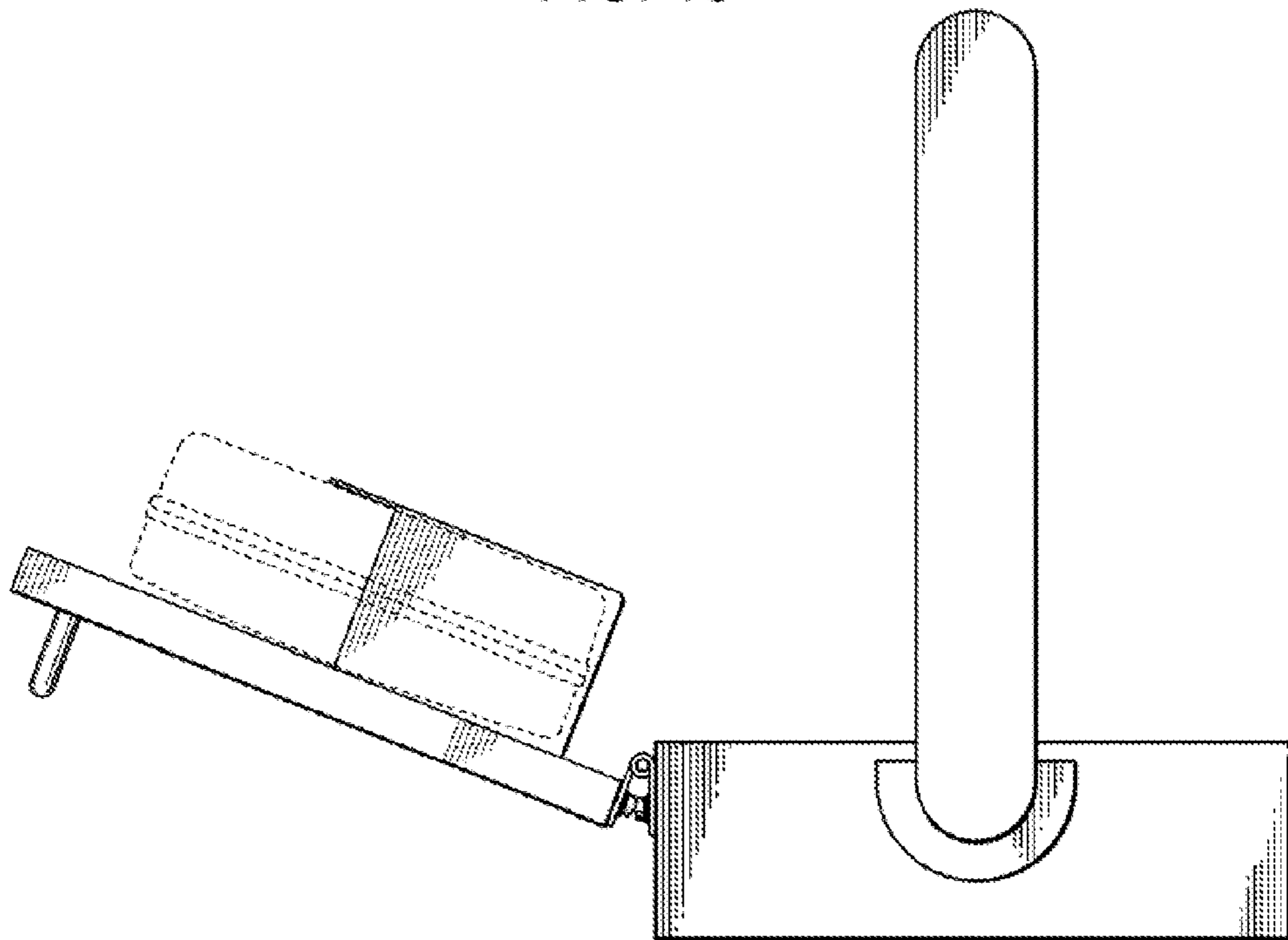


FIG. 11

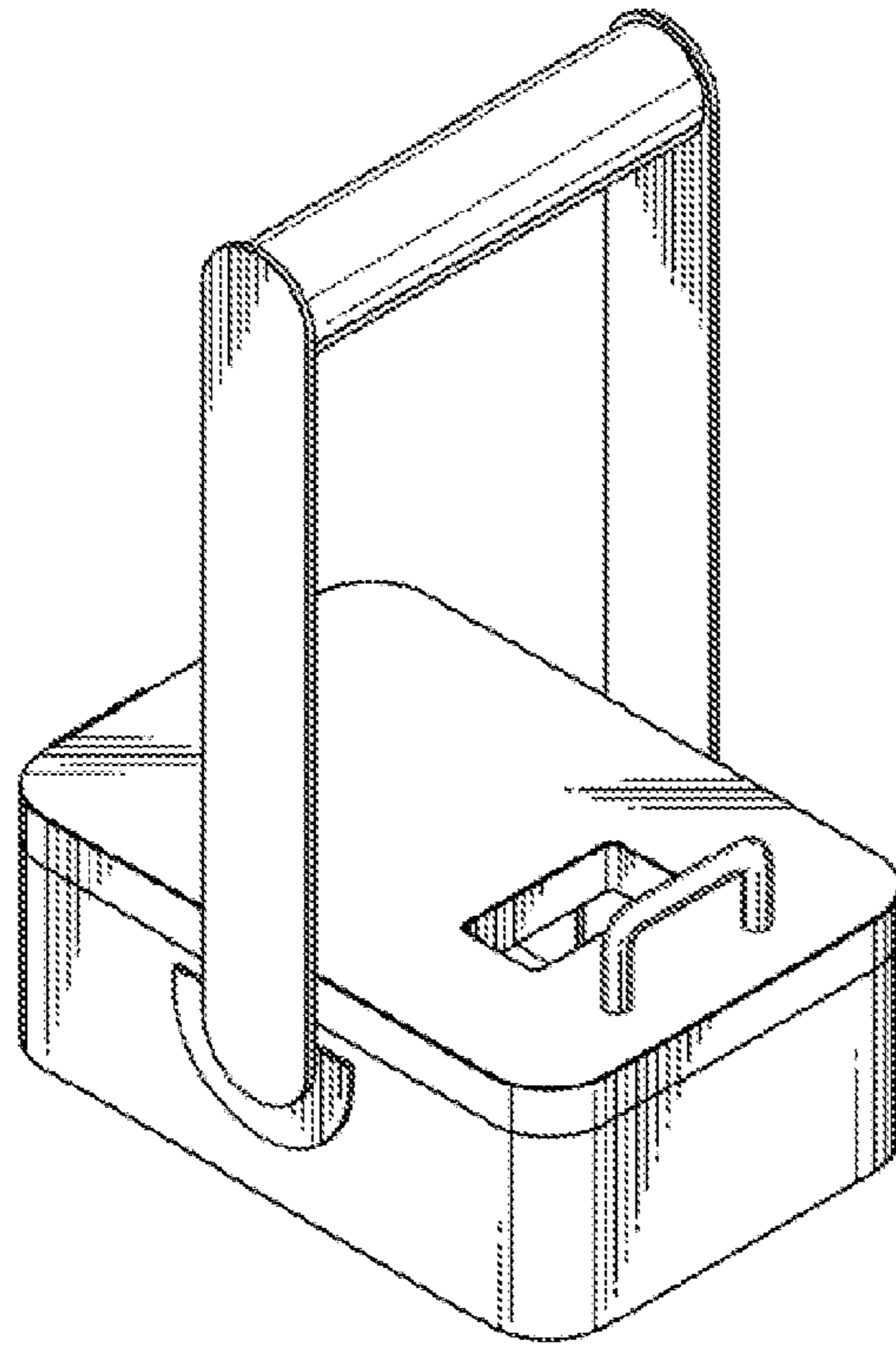


FIG. 12

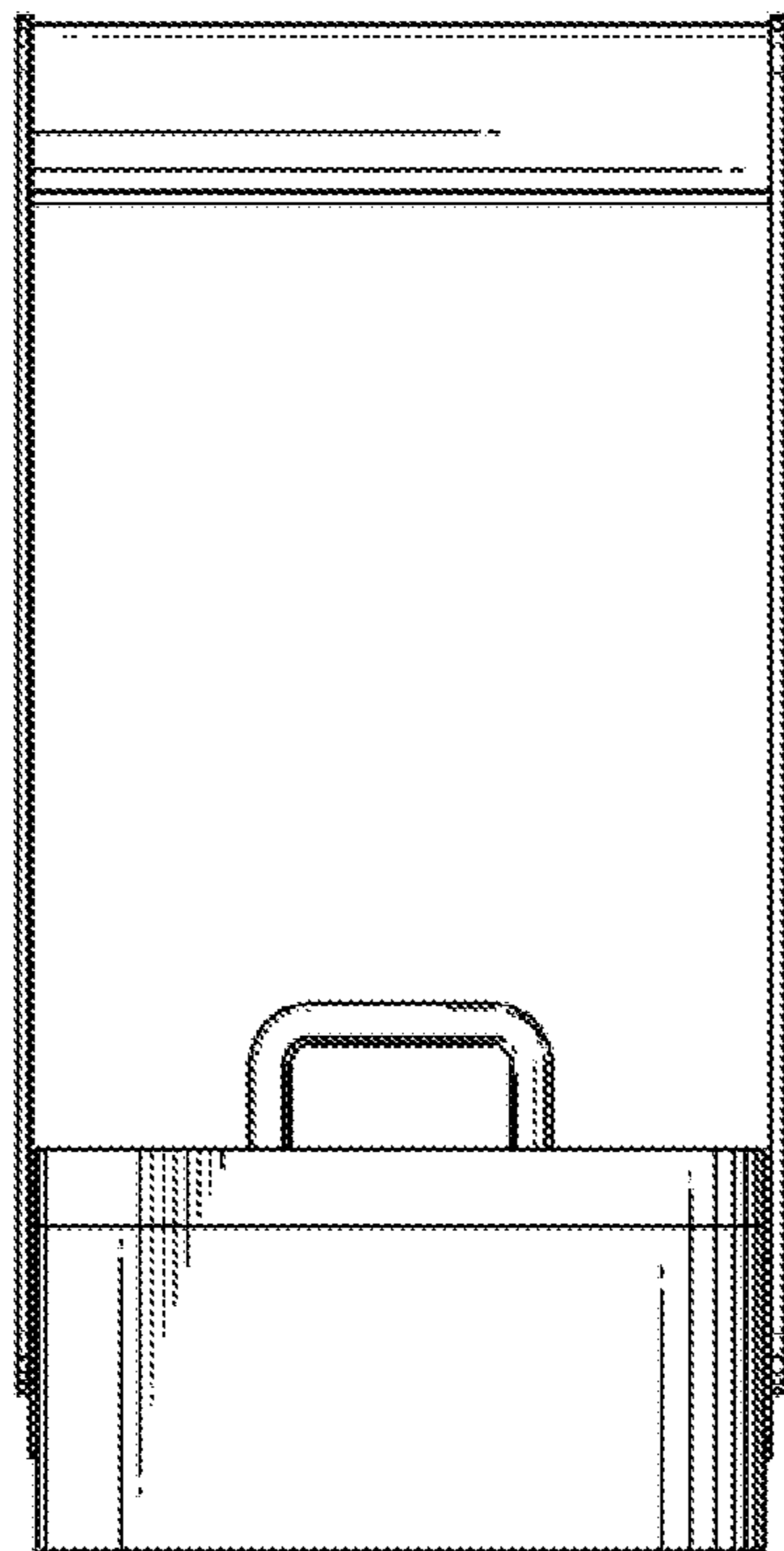


FIG. 13

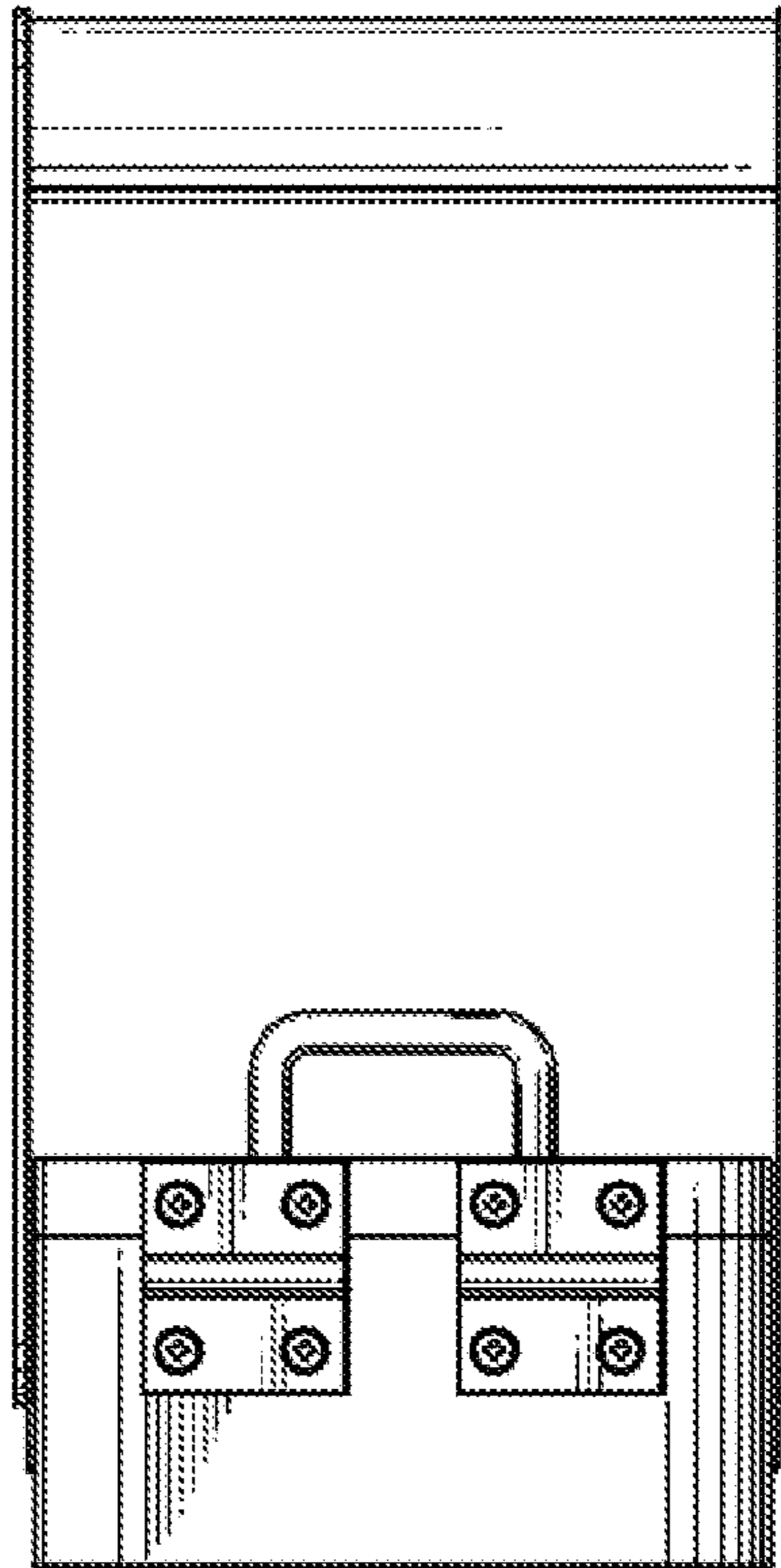


FIG. 14

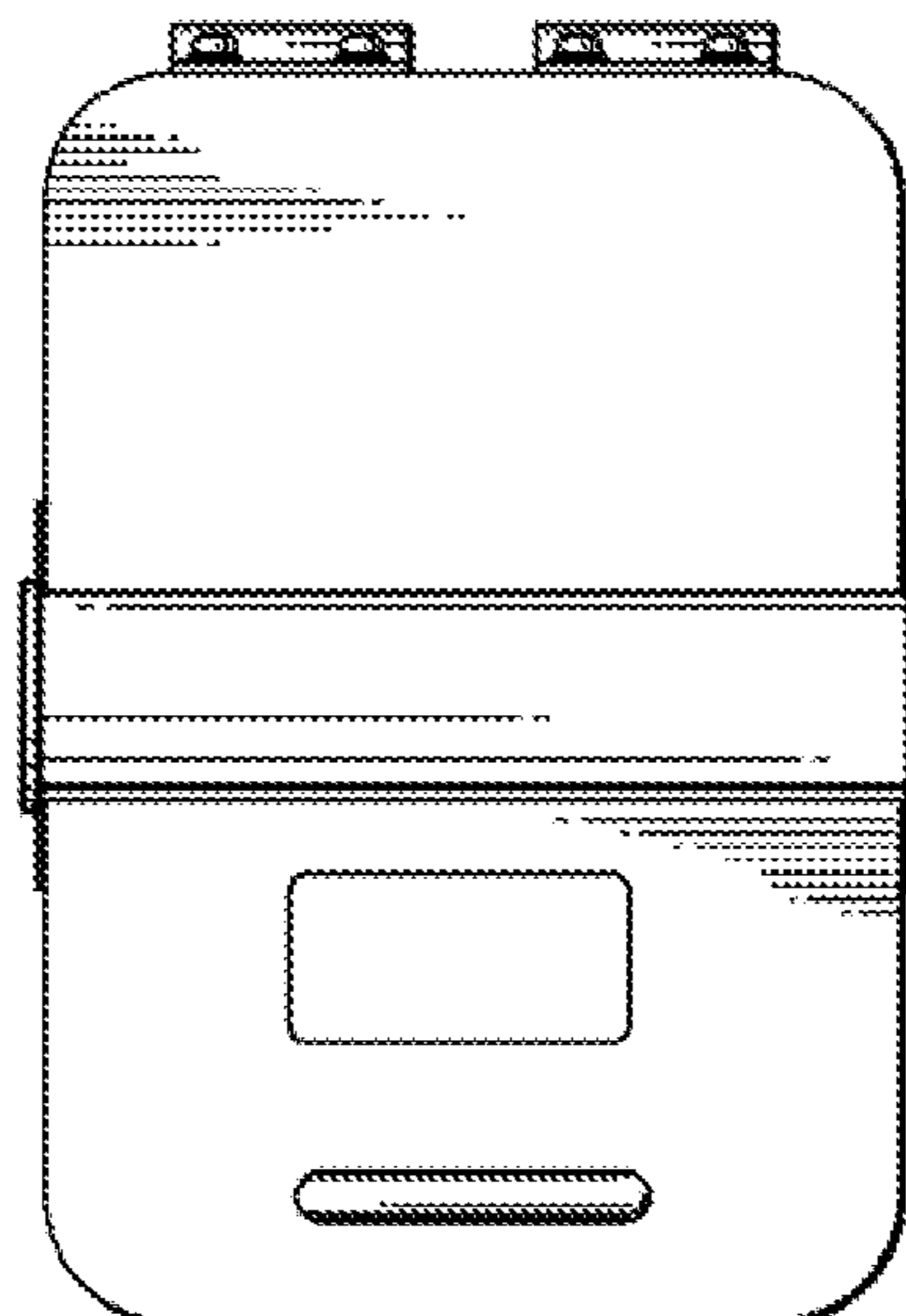


FIG. 15

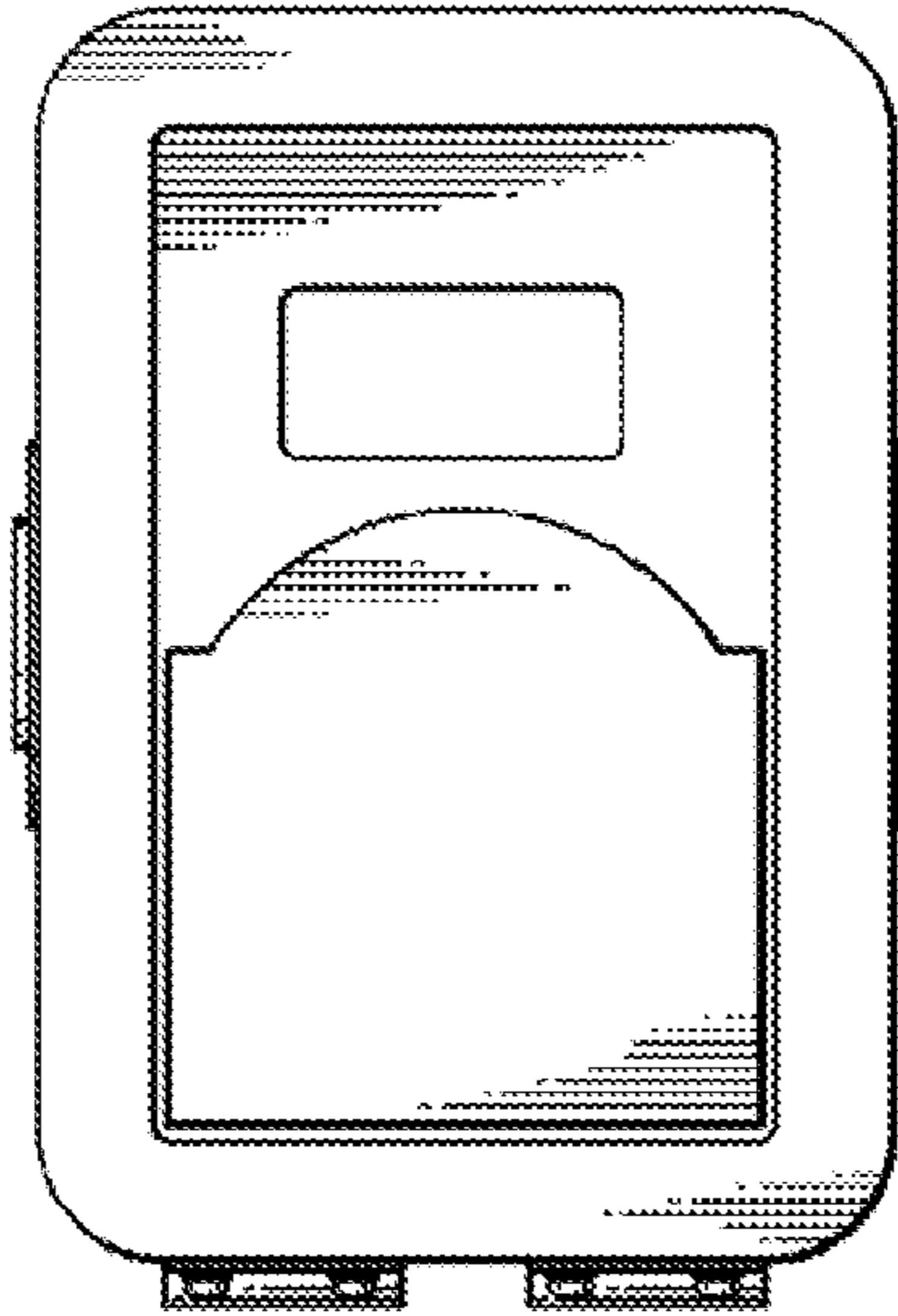


FIG. 16

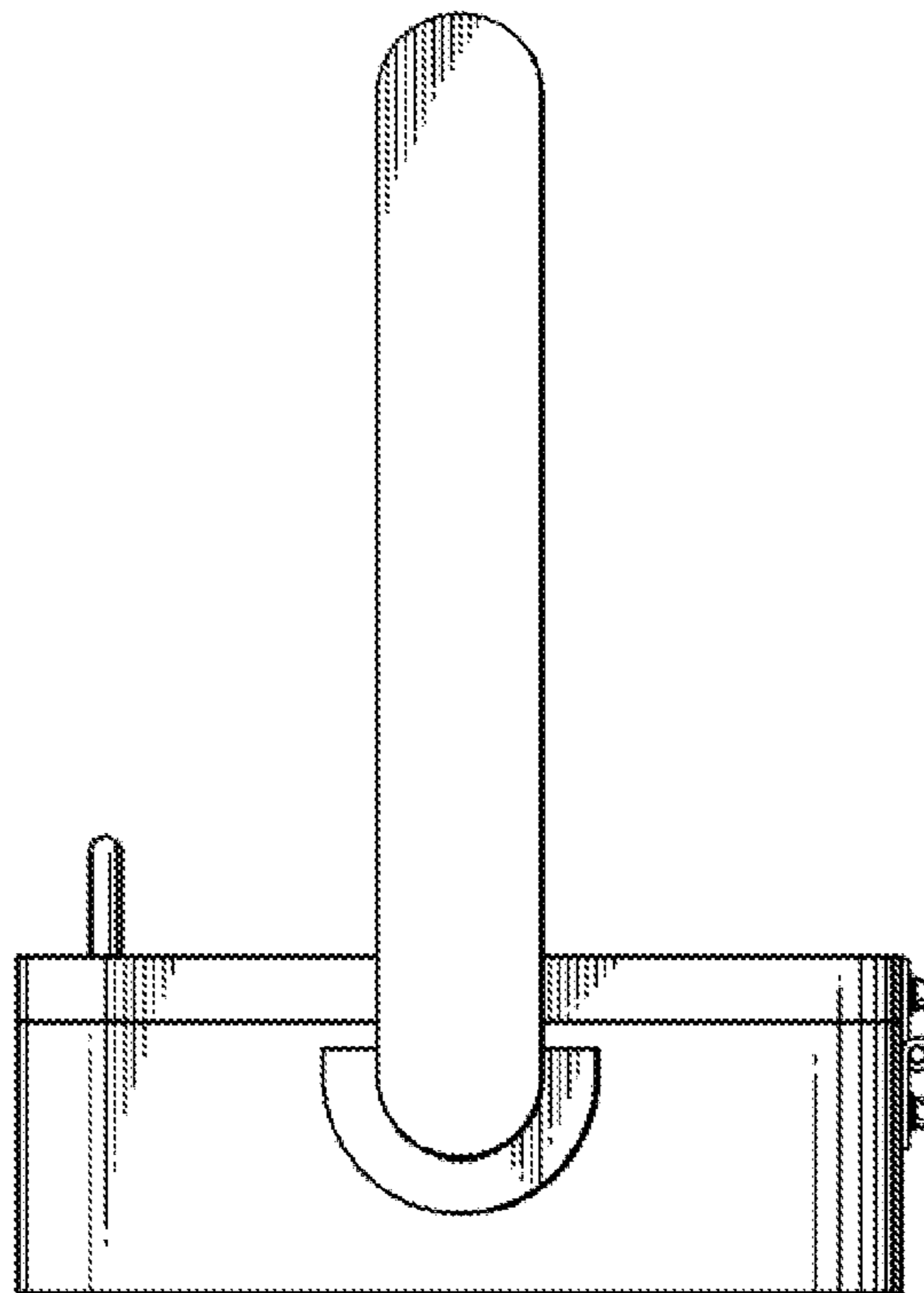


FIG. 17

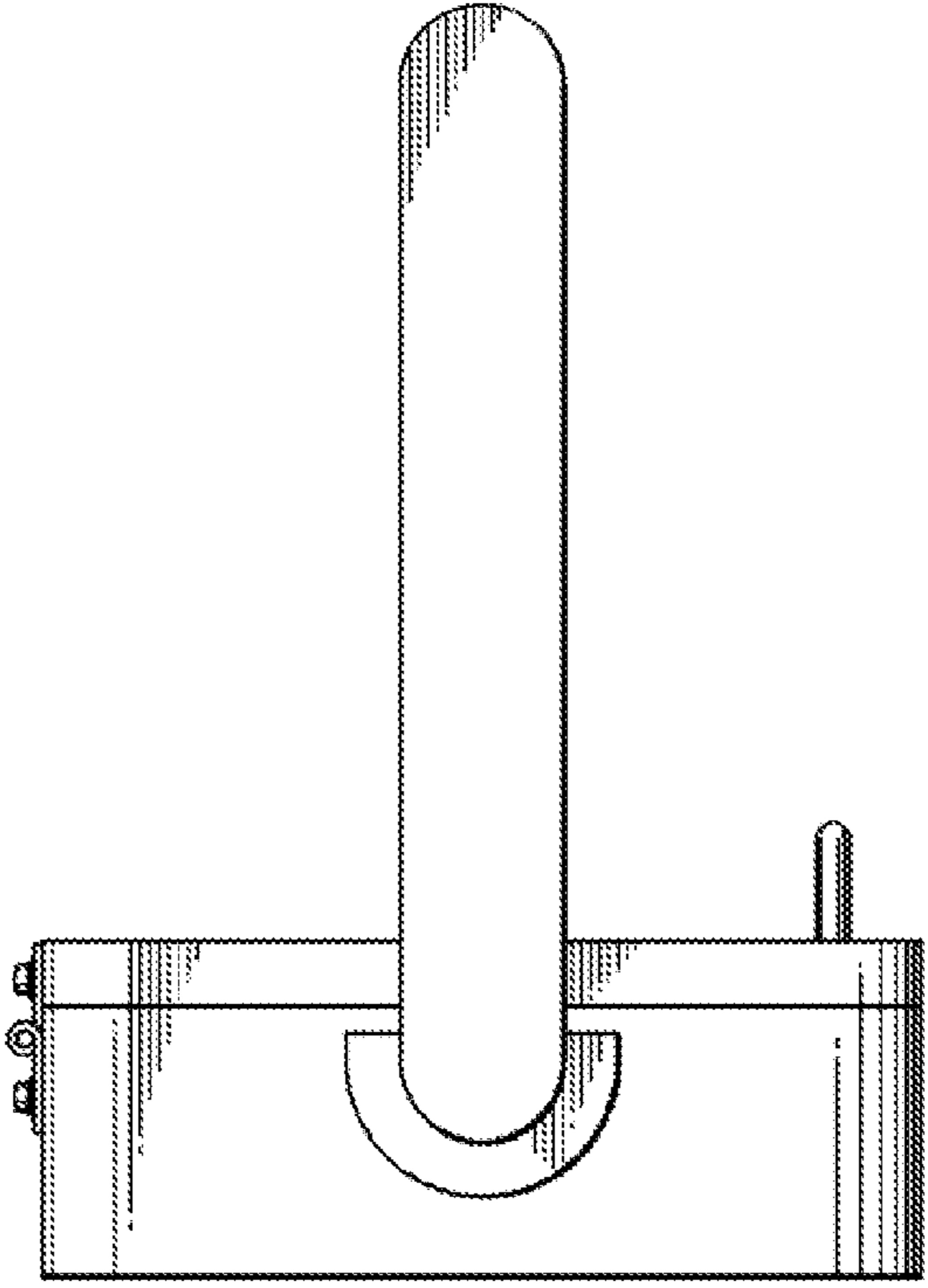


FIG. 18

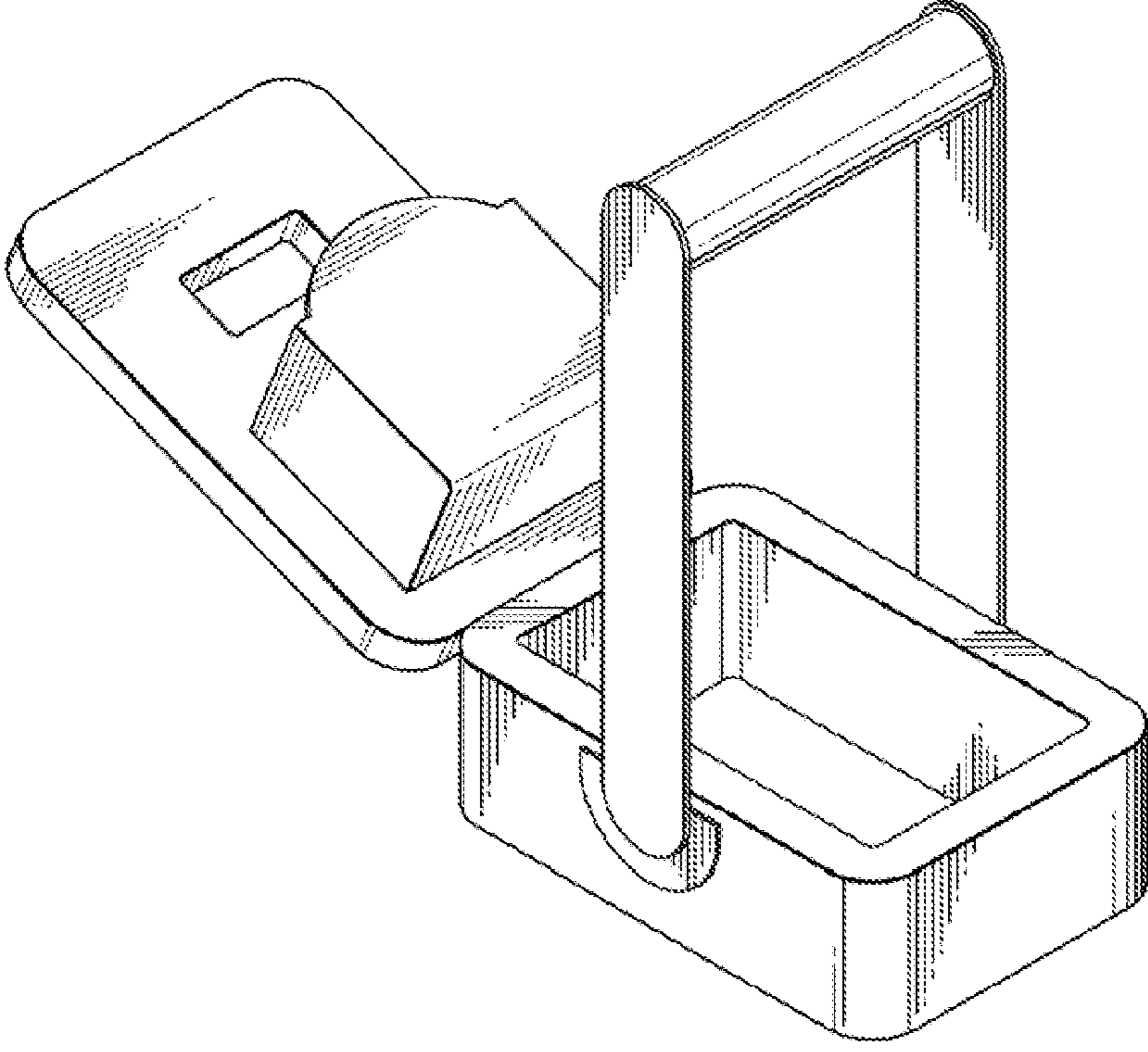


FIG. 19

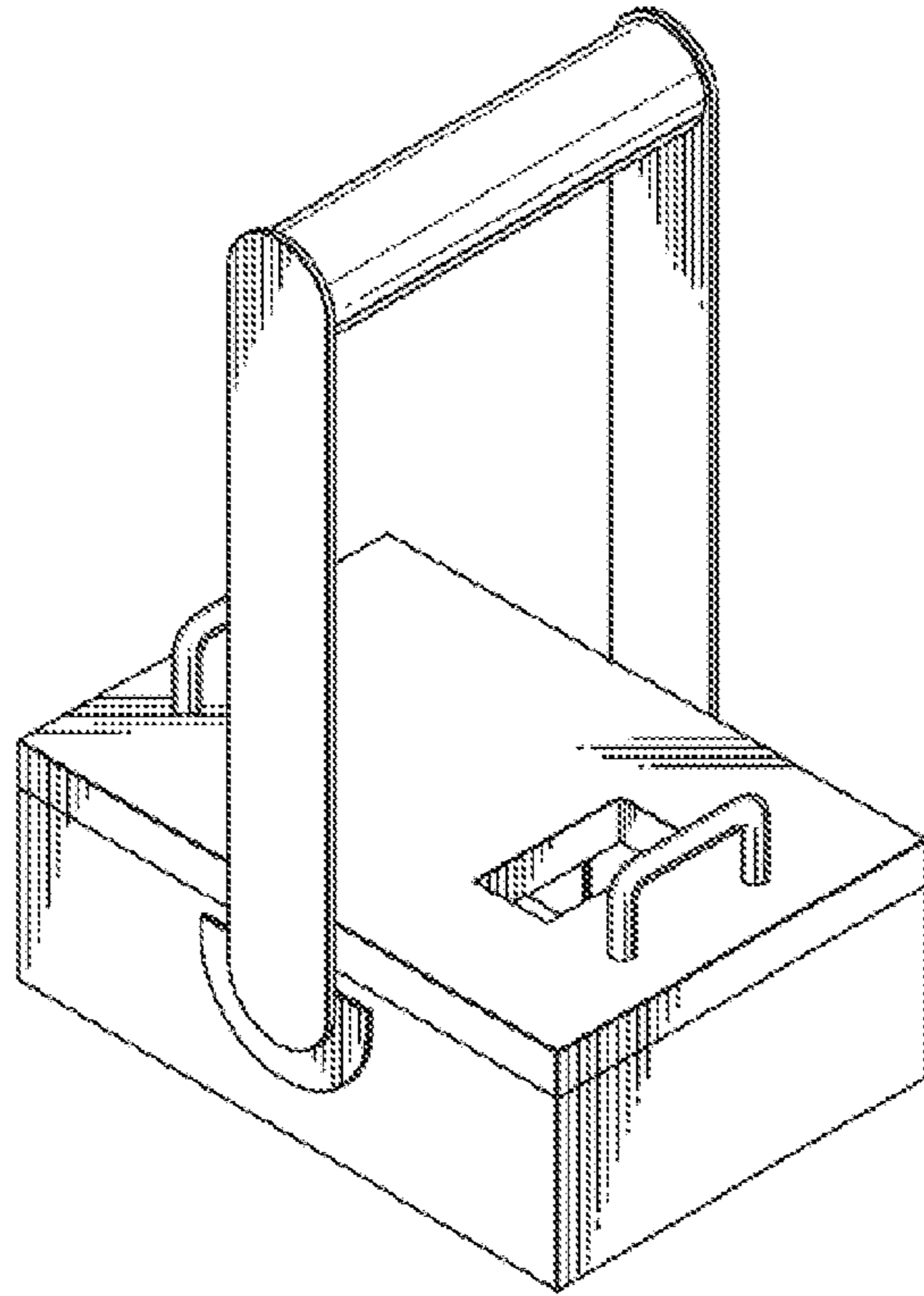
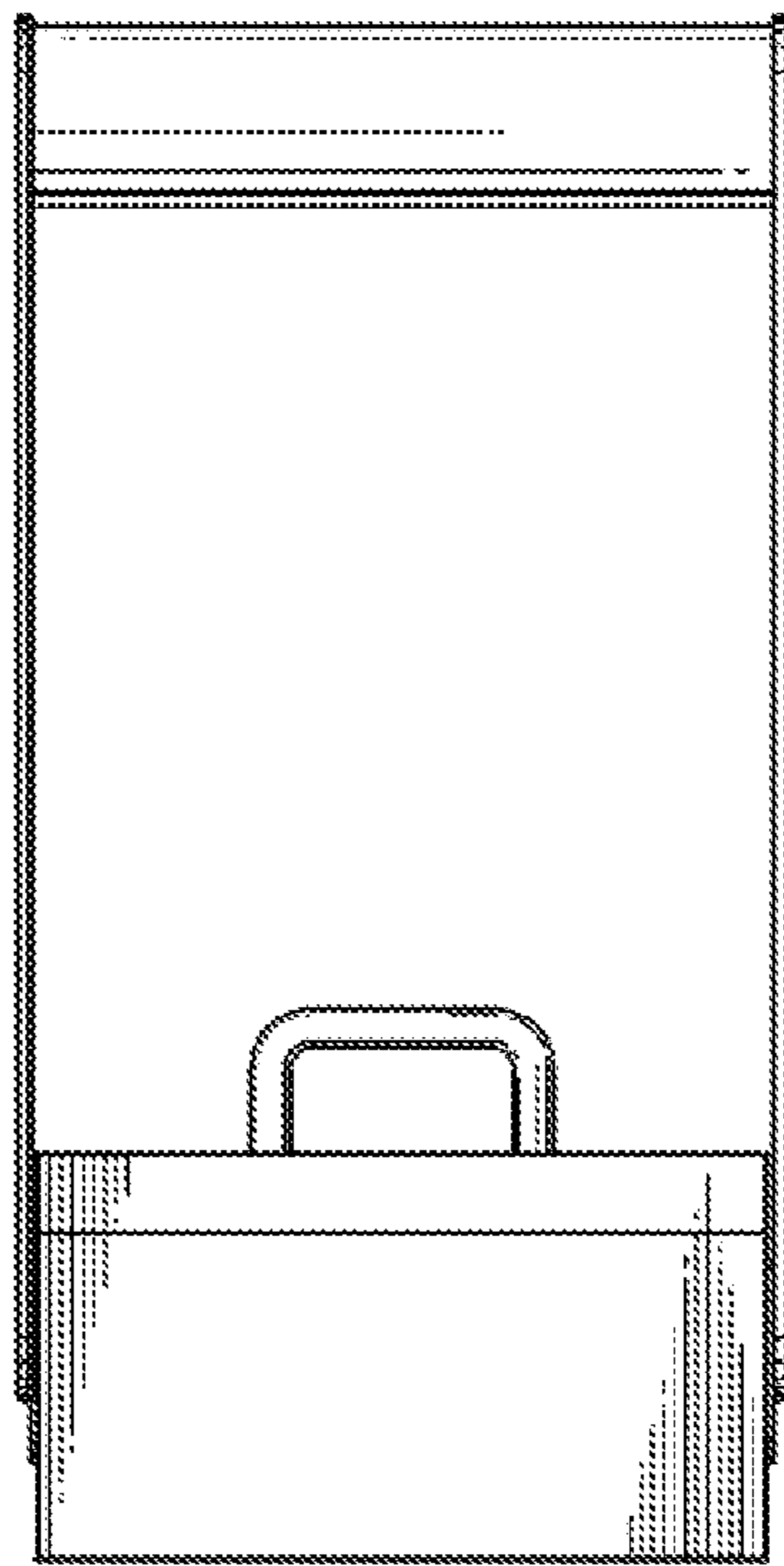


FIG. 20

→ 24



→ 24

FIG. 21

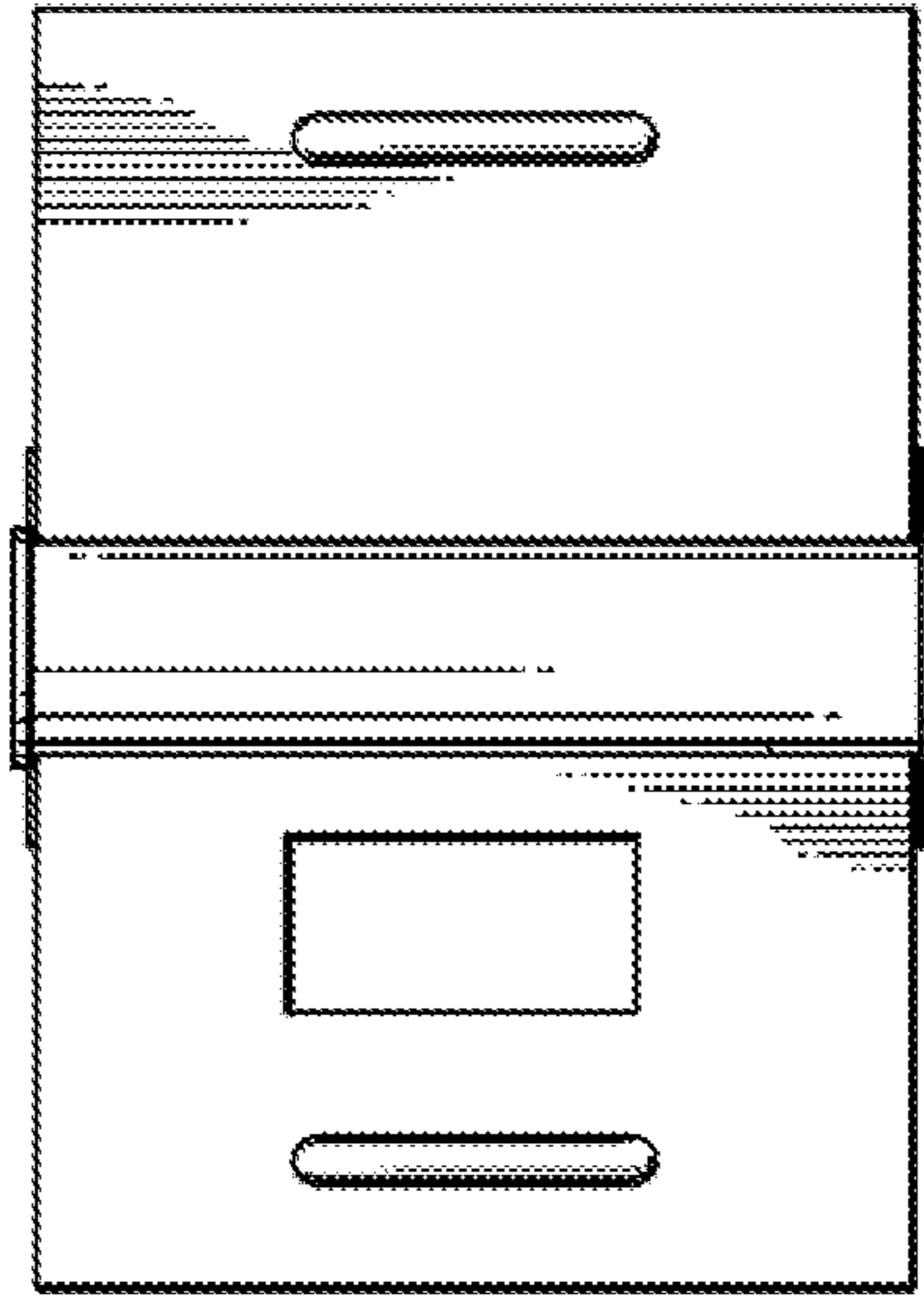


FIG. 22

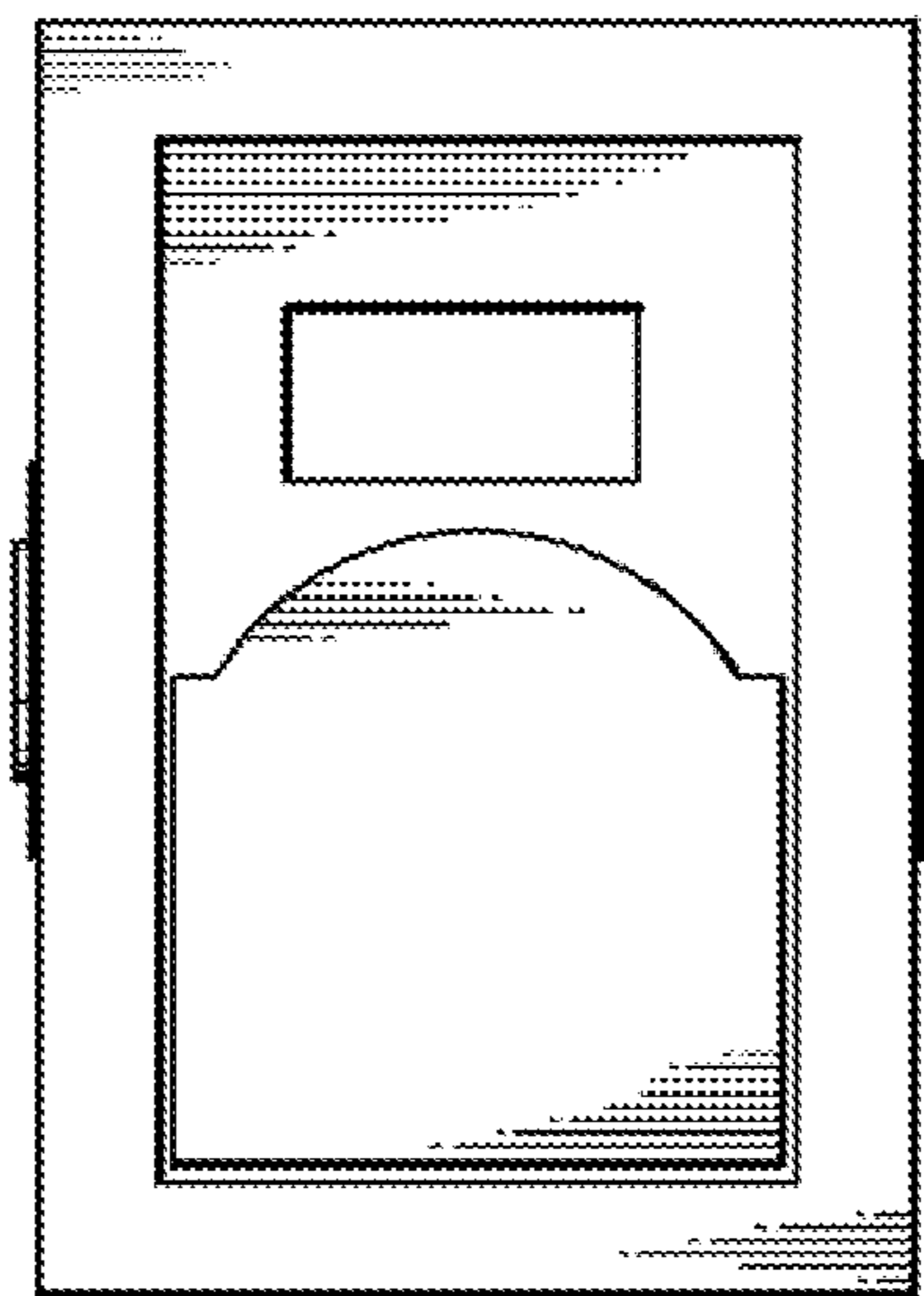


FIG. 23

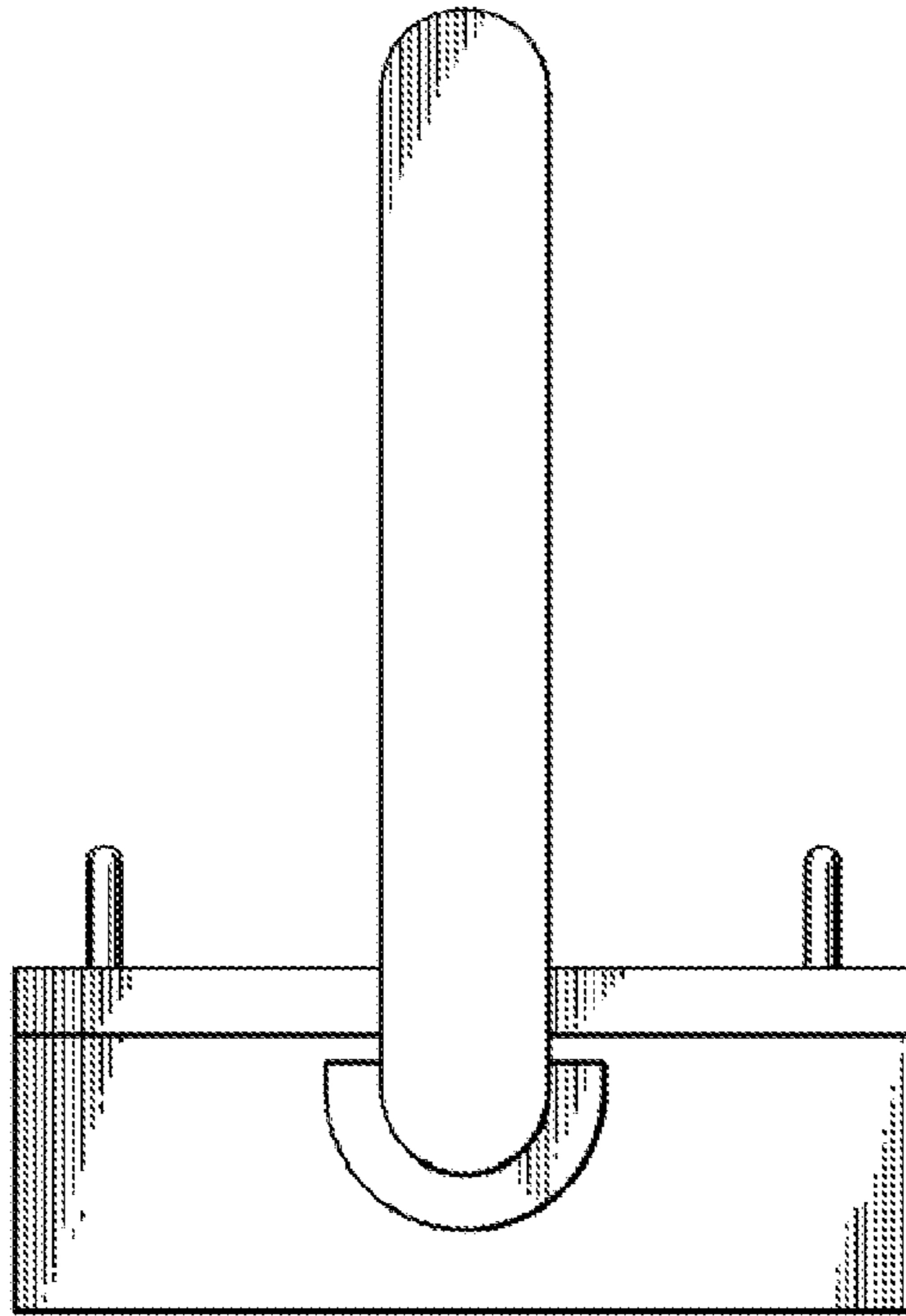


FIG. 24

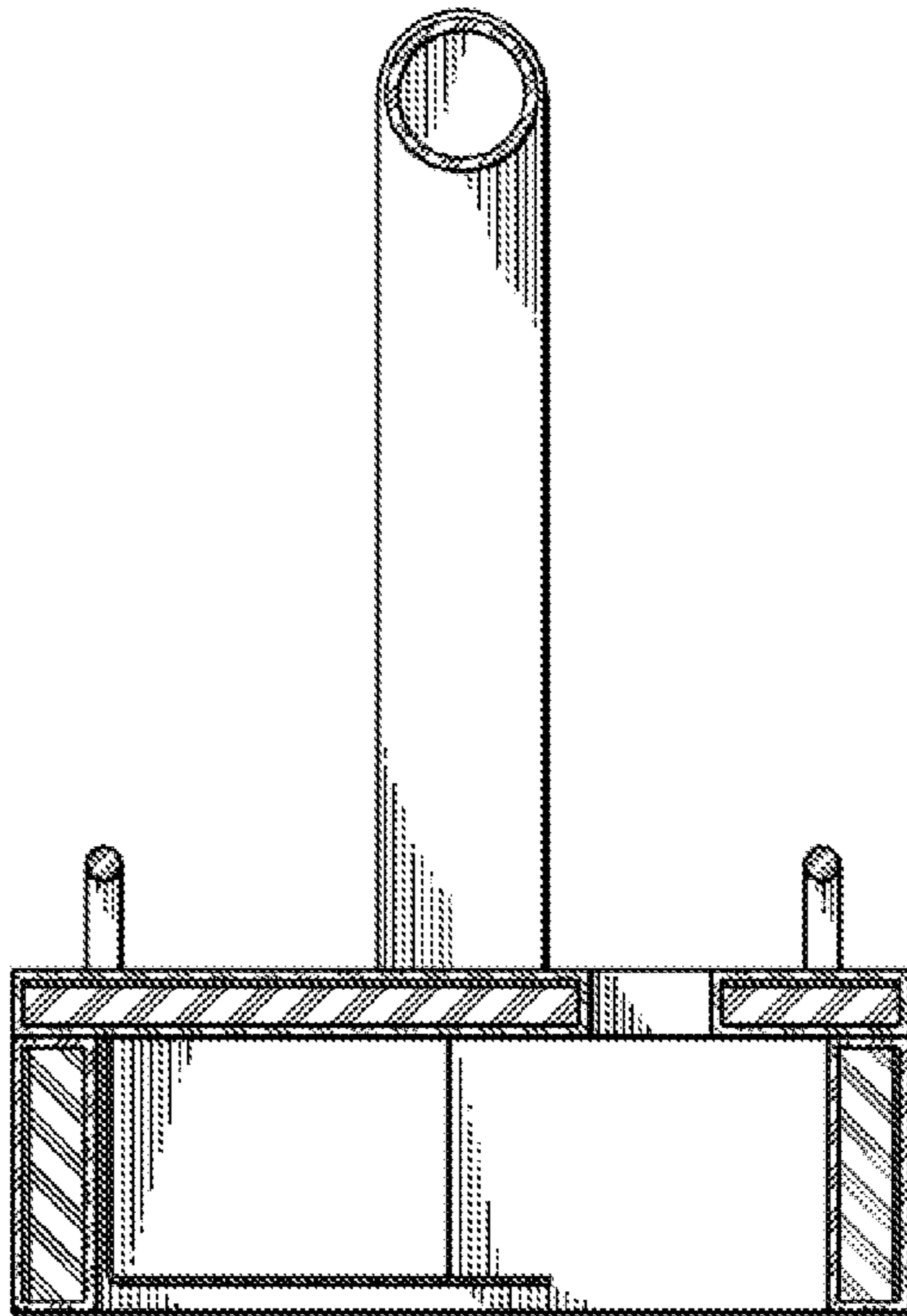


FIG. 25

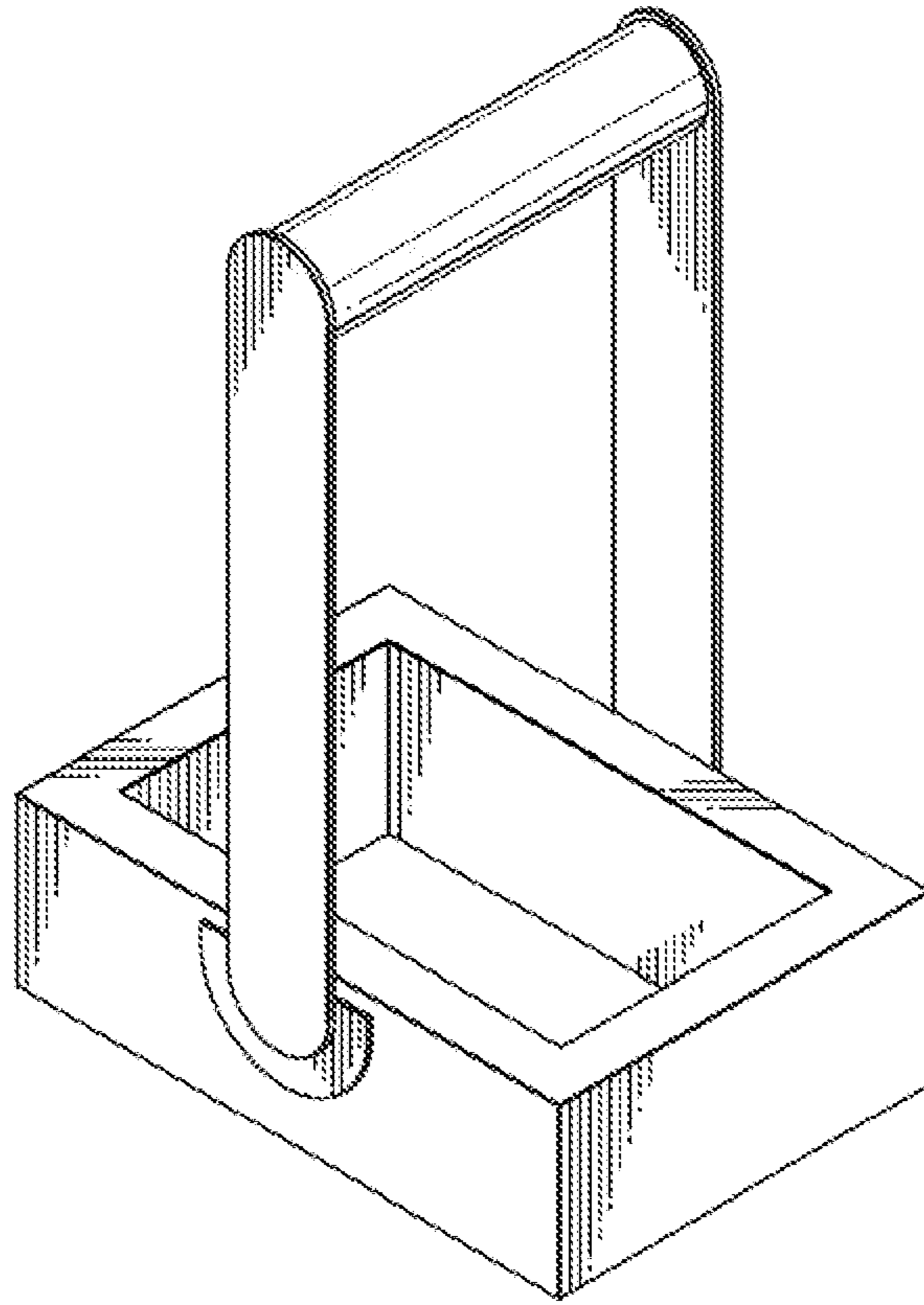


FIG. 26

