

US00D692778S

(12) **United States Design Patent**
Duport et al.

(10) **Patent No.:** **US D692,778 S**

(45) **Date of Patent:** **** Nov. 5, 2013**

(54) **WATCH**

(75) Inventors: **Fabrice Duport**, Neuchâtel (CH);
Fernando Soares, Neuchâtel (CH)

(73) Assignee: **Leon Hatot SA (Leon Hatot AG) (Leon Hatot Ltd)**, Auvernier (CH)

(**) Term: **14 Years**

(21) Appl. No.: **29/431,319**

(22) Filed: **Sep. 6, 2012**

(30) **Foreign Application Priority Data**

Mar. 6, 2012 (WO) DM/077 867

(51) **LOC (9) Cl.** **10-02**

(52) **U.S. Cl.**
USPC **D10/39**

(58) **Field of Classification Search**
USPC D10/30-39, 122-132; 368/276, 281,
368/282, 223, 228, 232, 80
See application file for complete search history.

(56) **References Cited**

U.S. PATENT DOCUMENTS

D131,628 S *	3/1942	Heinmuller	D10/124
2,361,563 A *	10/1944	Pellaton	368/80
D186,180 S *	9/1959	Diamond	D10/39
D365,526 S *	12/1995	Gardner	D10/39
D473,473 S *	4/2003	Wunderman	D10/32
D517,432 S *	3/2006	Laucella	D10/39
D555,516 S *	11/2007	Sugiura	D10/31
D560,515 S *	1/2008	Finazzi	D10/39

D608,223 S *	1/2010	Salanitro	D10/38
D616,322 S *	5/2010	Duport et al.	D10/126
D616,323 S *	5/2010	Duport et al.	D10/126
D616,782 S *	6/2010	Chastaingt	D10/126
D618,575 S *	6/2010	Duport et al.	D10/126
D622,167 S *	8/2010	Jorst et al.	D10/39
D634,653 S *	3/2011	Laucella	D10/39
D651,099 S *	12/2011	Ruffieux	D10/38
D656,846 S *	4/2012	Kweton	D10/39
D673,463 S *	1/2013	Duport	D10/32
D677,176 S *	3/2013	Ruffieux	D10/39
D678,081 S *	3/2013	Cabiddu	D10/38
D683,633 S *	6/2013	Florian et al.	D10/39

* cited by examiner

Primary Examiner — Lucy Lieberman

(74) *Attorney, Agent, or Firm* — Donald J. Ranft; Collen IP

(57) **CLAIM**

The ornamental design for a watch, as shown and described.

DESCRIPTION

FIG. 1 is a front right perspective view of a watch showing our new design;

FIG. 2 is a front left perspective view thereof;

FIG. 3 is a front view thereof;

FIG. 4 is a rear view thereof;

FIG. 5 is a right side view thereof;

FIG. 6 is left side view thereof;

FIG. 7 is a top view thereof;

FIG. 8 is a bottom view thereof; and,

FIG. 9 is a rear left perspective view thereof.

The portions of the watch shown in broken lines form no part of the claimed design.

1 Claim, 4 Drawing Sheets



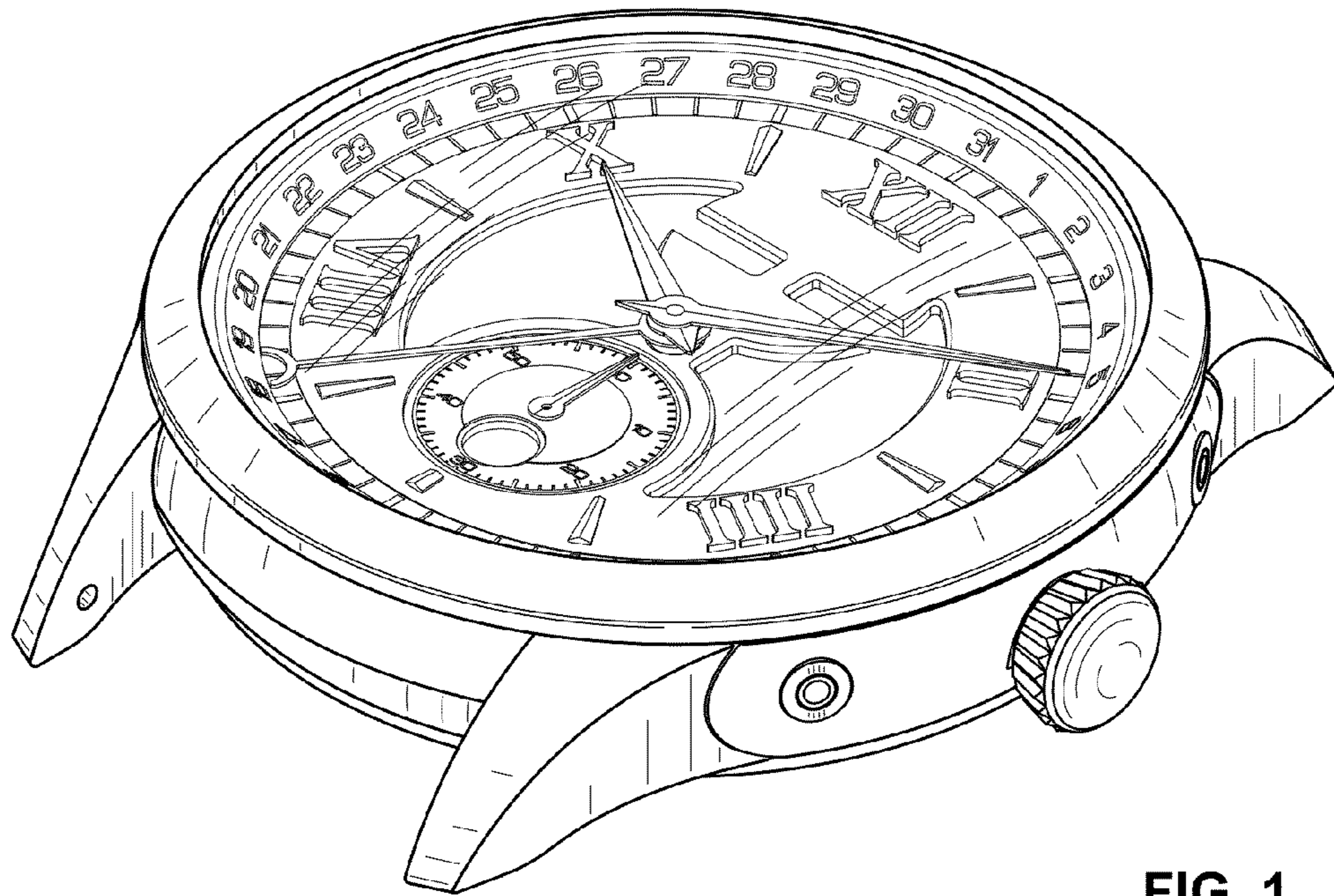


FIG. 1

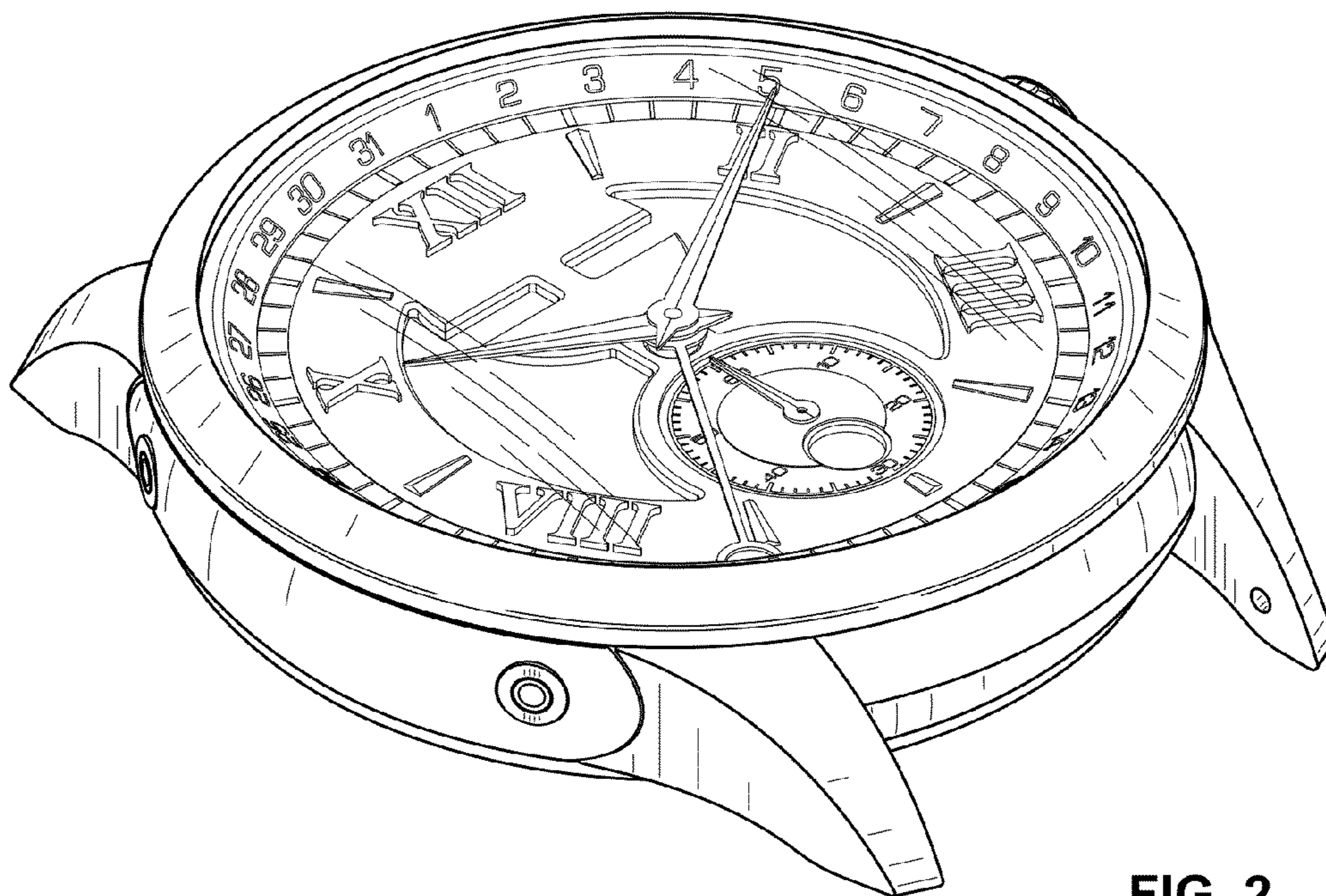


FIG. 2

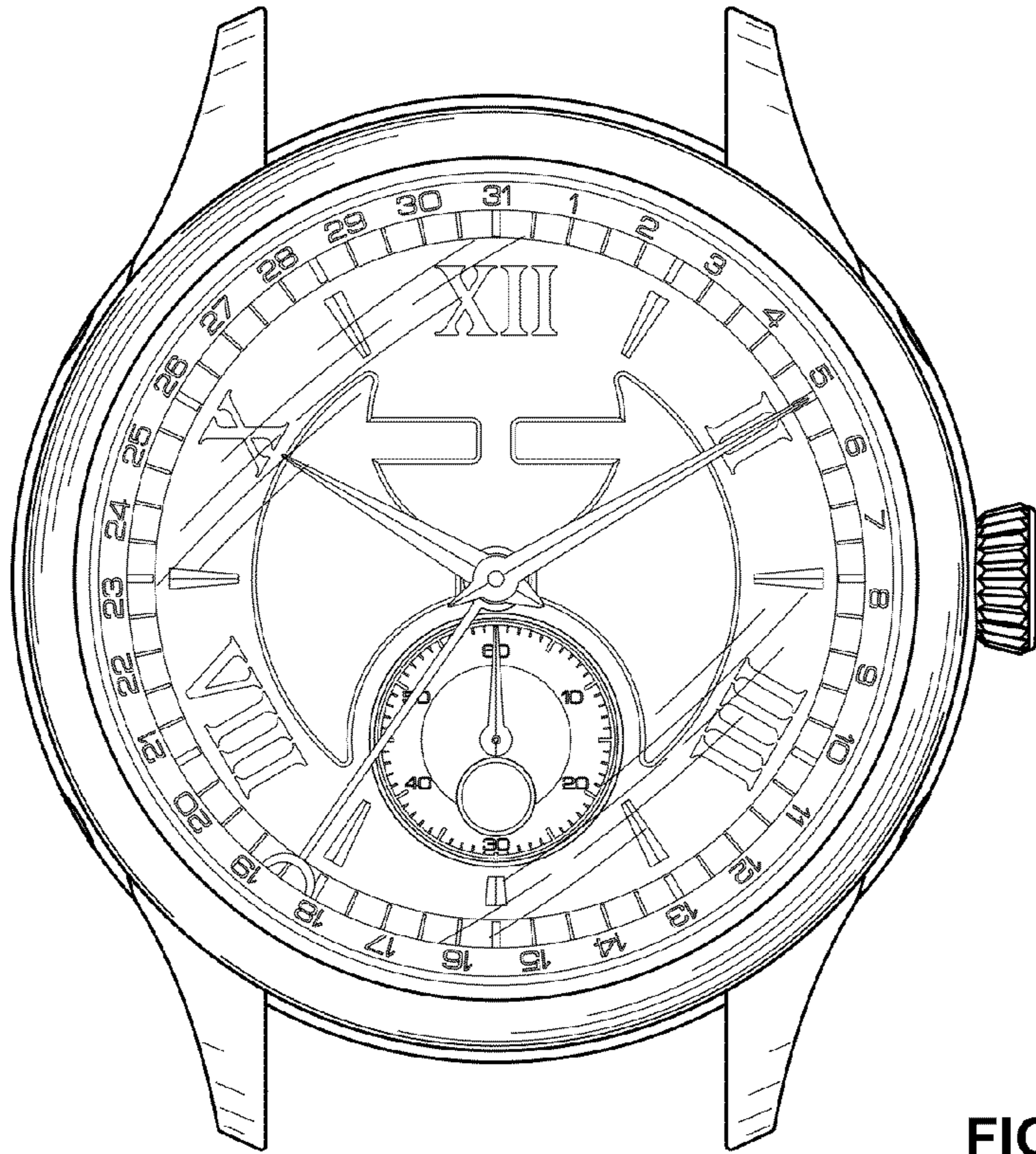


FIG. 3

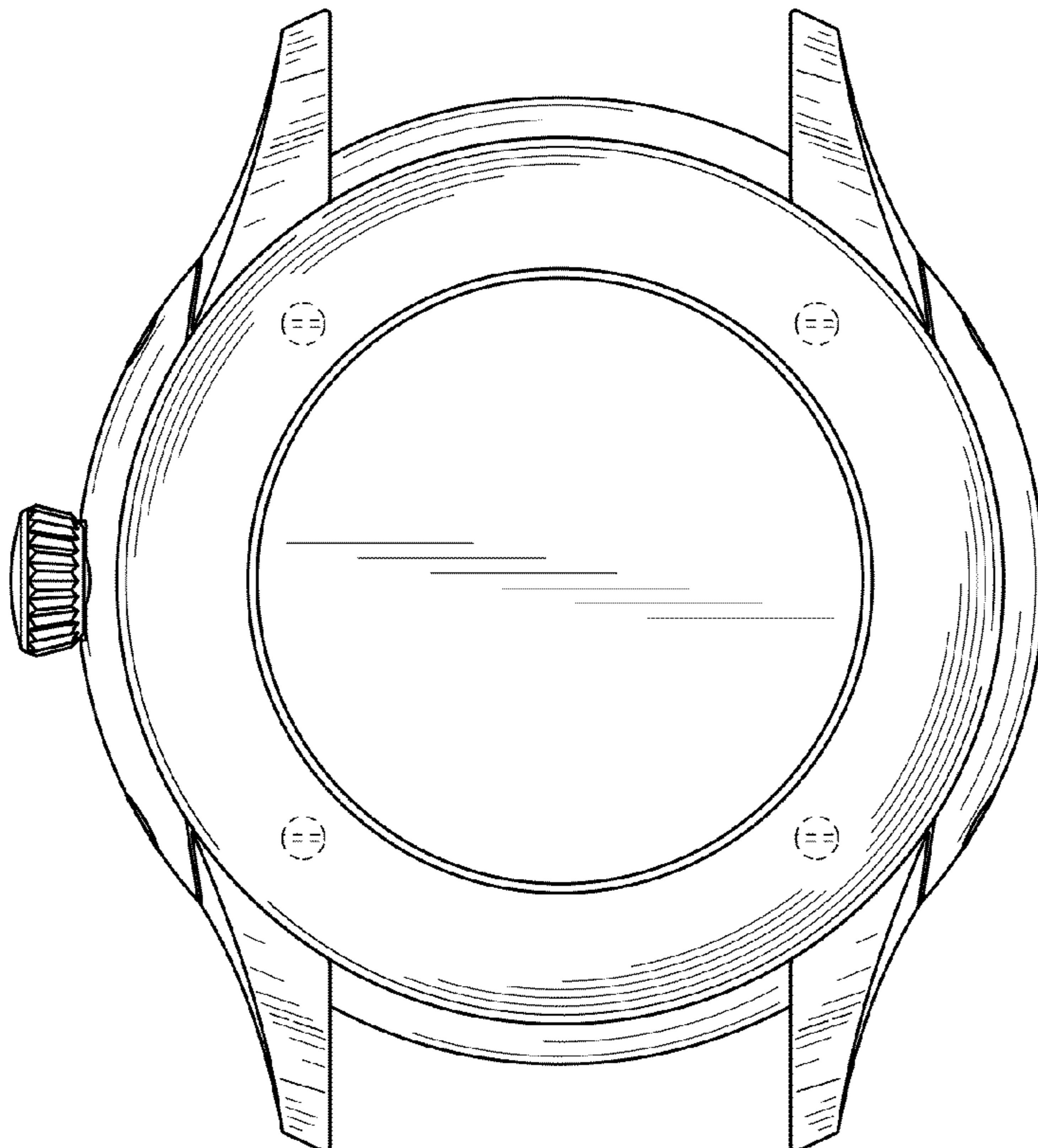


FIG. 4

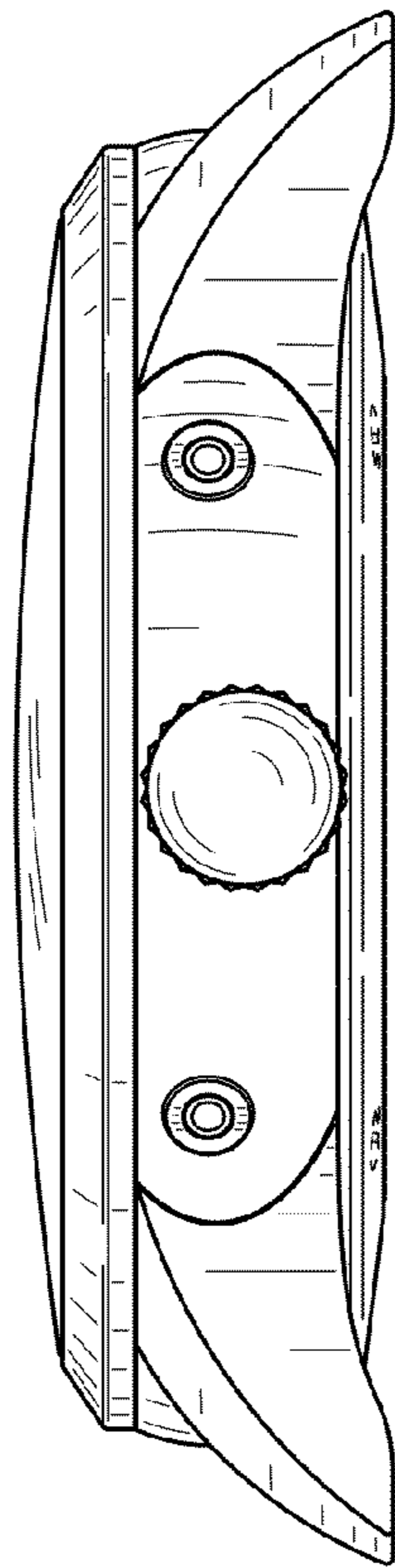


FIG. 5

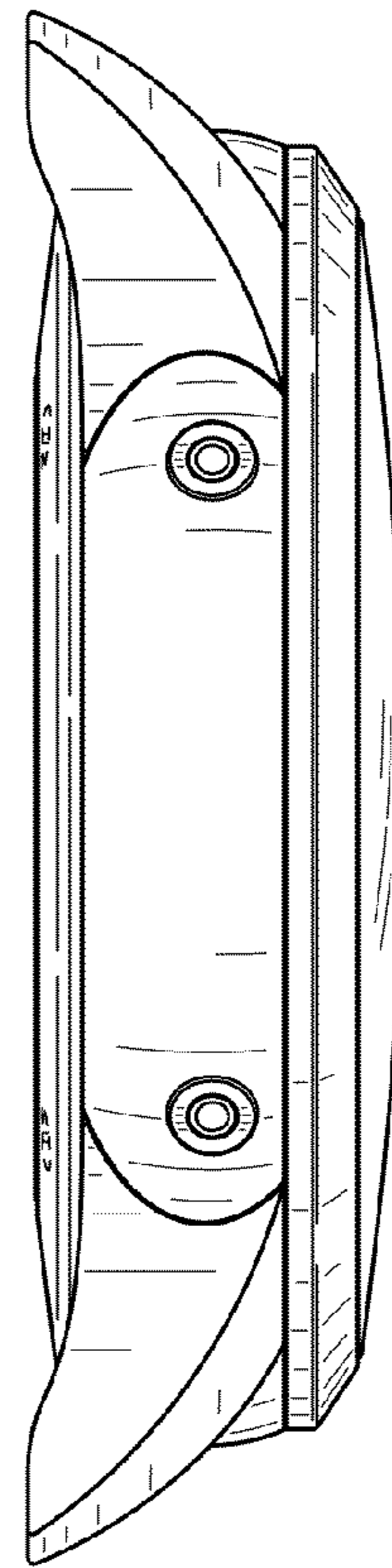


FIG. 6

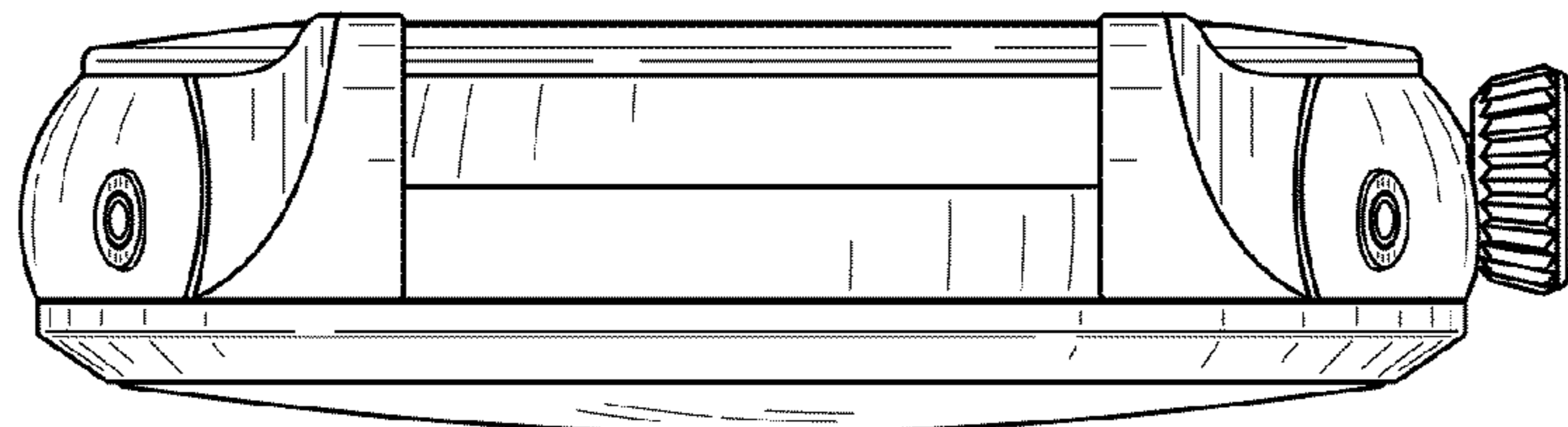


FIG. 7

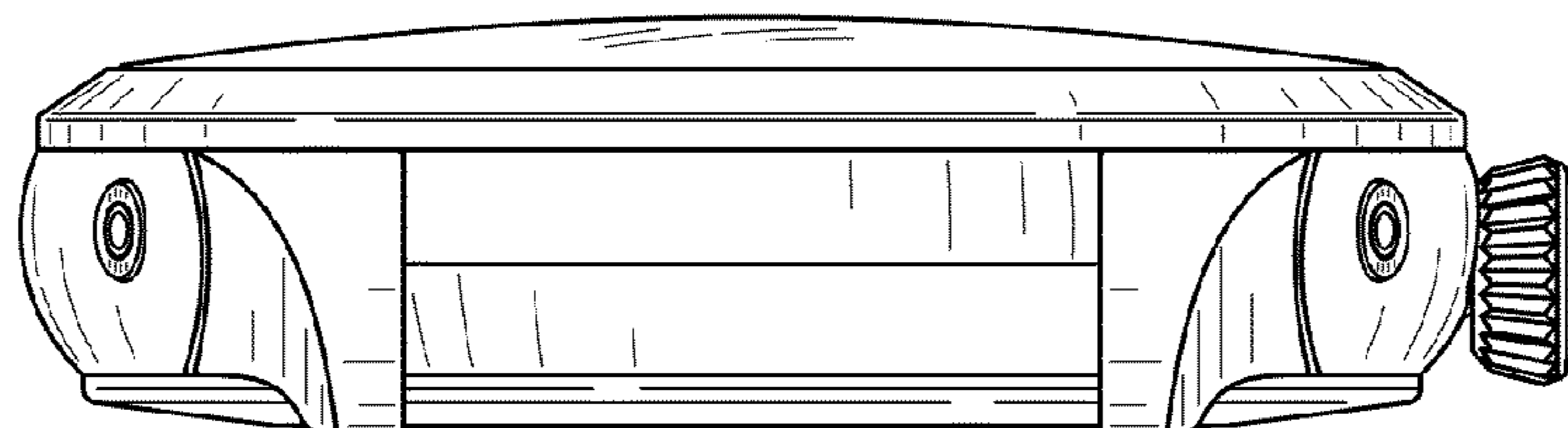


FIG. 8

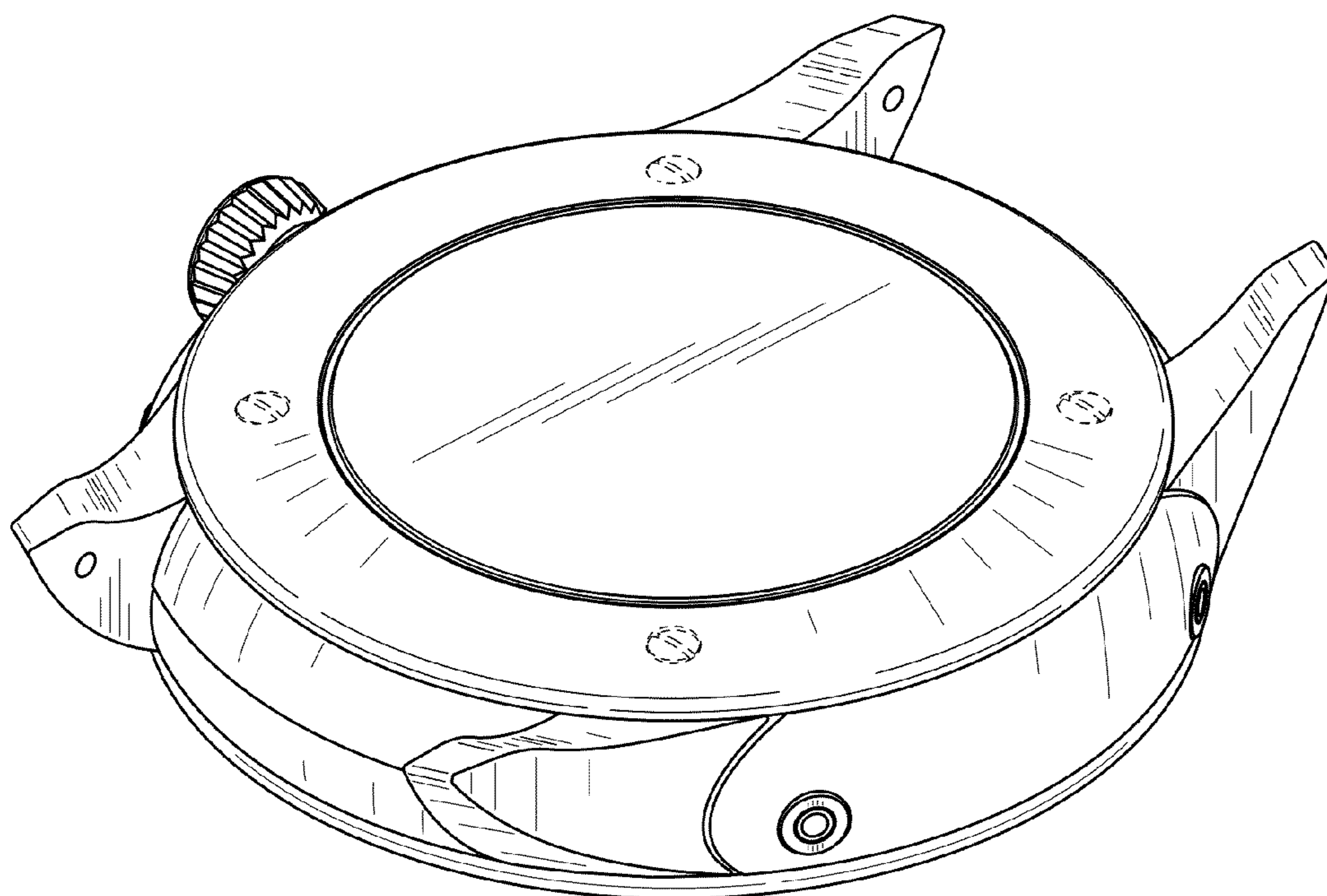


FIG. 9