

US00D692777S

(12) **United States Design Patent**
Goyet

(10) **Patent No.:** **US D692,777 S**

(45) **Date of Patent:** **** Nov. 5, 2013**

(54) **WATCH**

(71) Applicant: **Swatch AG (Swatch SA) (Swatch Ltd.)**,
Biel/Bienne (CH)

(72) Inventor: **Damien Goyet**, Grenchen (CH)

(73) Assignee: **Swatch AG (Swatch SA) (Swatch Ltd.)**,
Biel/Bienne (CH)

(**) Term: **14 Years**

(21) Appl. No.: **29/452,750**

(22) Filed: **Apr. 22, 2013**

(30) **Foreign Application Priority Data**

Nov. 28, 2012 (WO) DM/079 655

(51) **LOC (9) Cl.** **10-02**

(52) **U.S. Cl.**
USPC **D10/38**

(58) **Field of Classification Search**
USPC D10/30-39, 122-132; 368/276, 281,
368/282, 294, 295
See application file for complete search history.

(56) **References Cited**

U.S. PATENT DOCUMENTS

D339,304	S	*	9/1993	Kawashima	D10/39
D361,527	S	*	8/1995	Hayashi et al.	D10/39
D379,324	S	*	5/1997	Osit	D10/128
D379,768	S	*	6/1997	Osit	D10/30
D380,698	S	*	7/1997	Paredes	D10/128
5,696,741	A	*	12/1997	Nussbaum	368/281
D413,530	S	*	9/1999	Flury et al.	D10/32
D413,816	S	*	9/1999	Schiavo et al.	D10/30

D445,344	S	*	7/2001	Haquet	D10/30
D476,905	S	*	7/2003	El Kadiri	D10/30
D476,906	S	*	7/2003	Nussbaum	D10/30
D477,234	S	*	7/2003	El Kadiri	D10/30
6,605,791	B2	*	8/2003	Grupp	200/512
6,672,758	B2	*	1/2004	Ehsam et al.	368/190
6,714,485	B2	*	3/2004	Albisetti et al.	368/27
D494,492	S	*	8/2004	Pibouleau	D10/128
D502,409	S	*	3/2005	Figueiredo	D10/30
D507,984	S	*	8/2005	Pibouleau	D10/128
D537,740	S	*	3/2007	Grosjean	D10/38
D559,125	S	*	1/2008	Figueiredo	D10/38
D561,049	S	*	2/2008	Figueiredo	D10/38
D605,533	S	*	12/2009	Schoepfer	D10/38
D613,186	S	*	4/2010	Behling	D10/38
D621,284	S	*	8/2010	Cerrato	D10/38
D636,685	S	*	4/2011	Avranches	D10/38
D640,575	S	*	6/2011	Nashimoto	D10/32
D652,328	S	*	1/2012	Laucella et al.	D10/39

* cited by examiner

Primary Examiner — Lucy Lieberman

(74) *Attorney, Agent, or Firm* — Donald J. Ranft; Collen IP

(57) **CLAIM**

The ornamental design for a watch, as shown.

DESCRIPTION

FIG. 1 is a front perspective view of a watch showing my new design;

FIG. 2 is a rear perspective view thereof;

FIG. 3 is a front view thereof;

FIG. 4 is a rear view thereof;

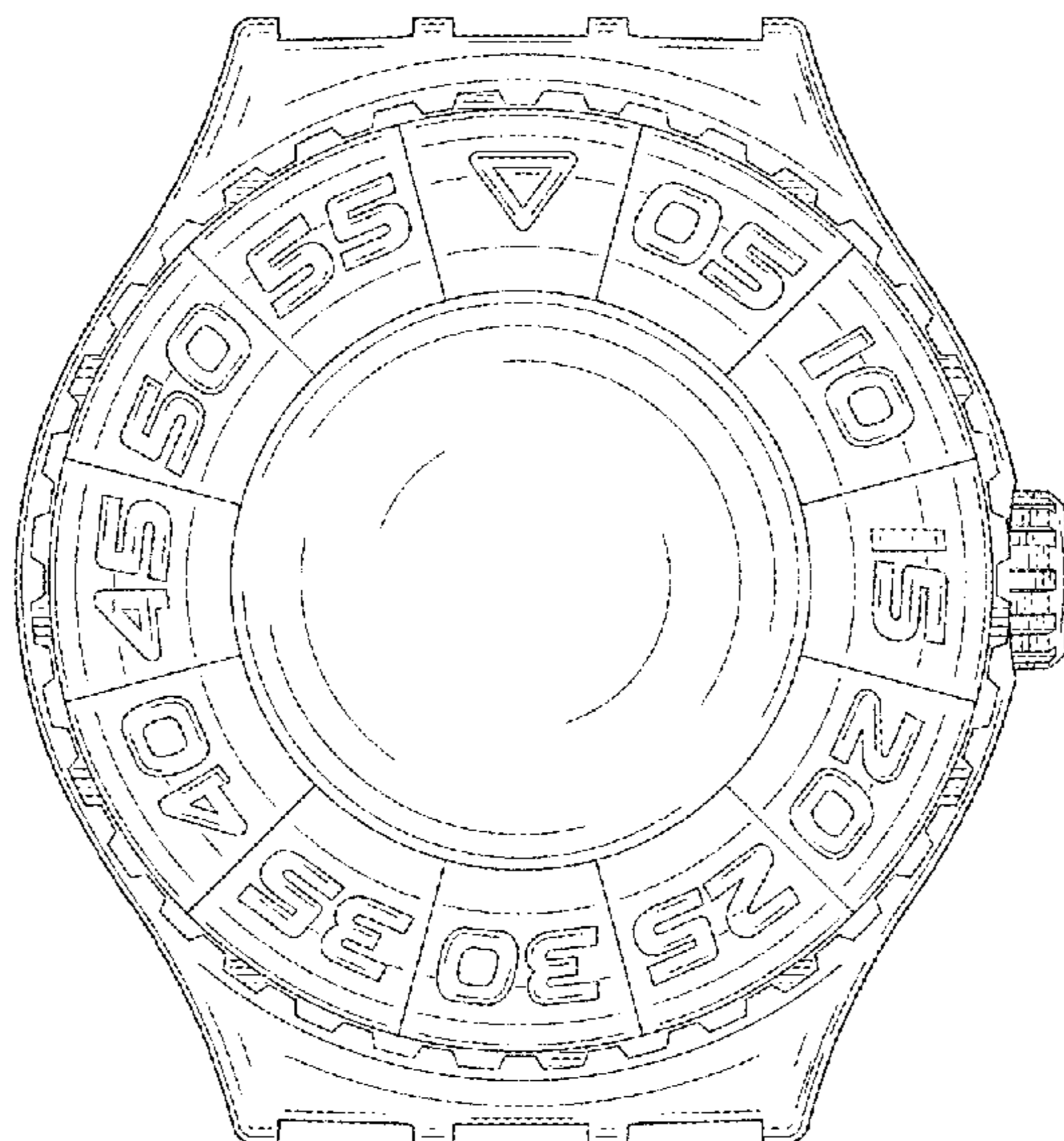
FIG. 5 is a top view thereof;

FIG. 6 is a bottom view thereof;

FIG. 7 is a right side view thereof; and,

FIG. 8 is a left side view thereof.

1 Claim, 3 Drawing Sheets



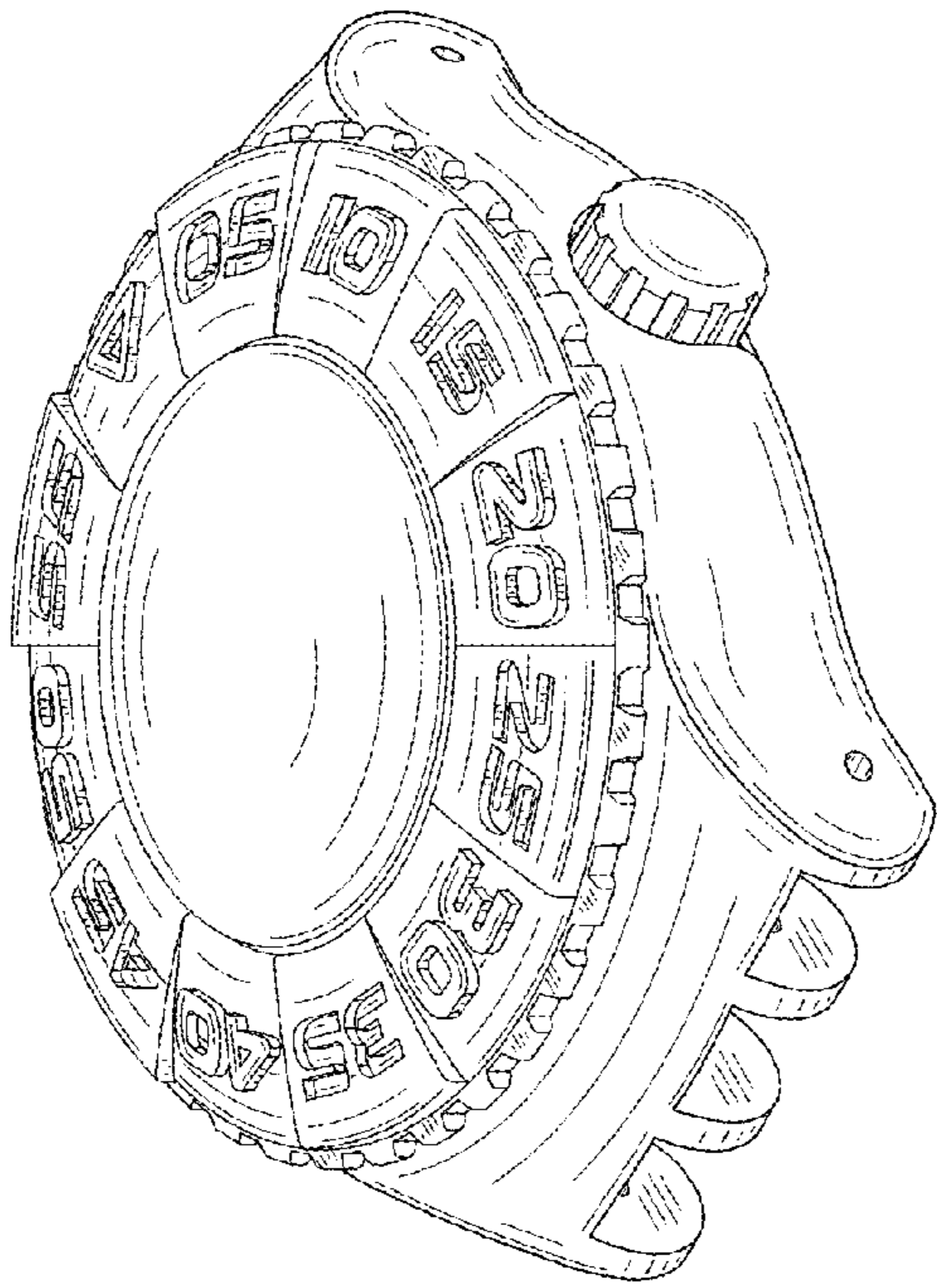


FIG. 1

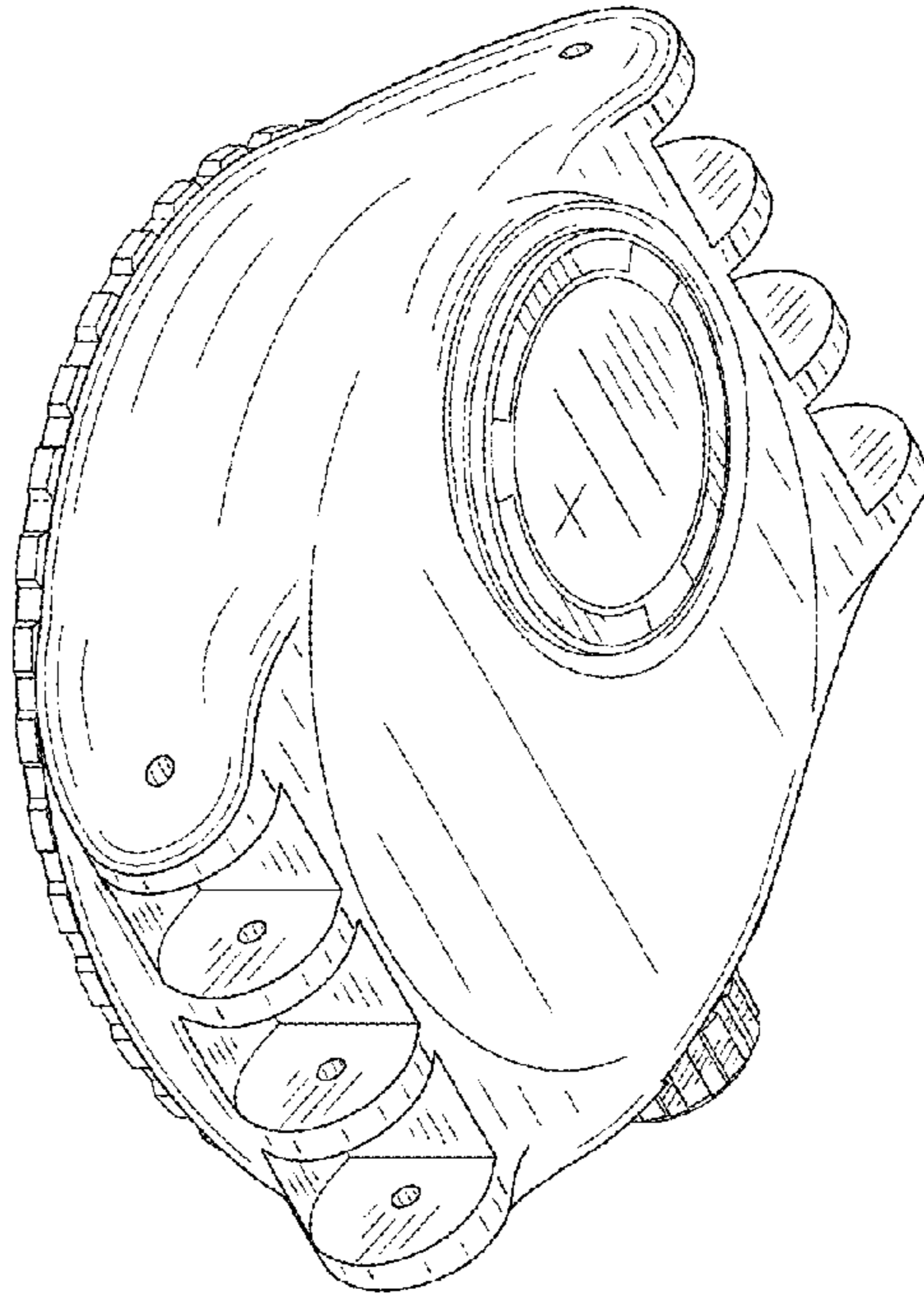


FIG. 2

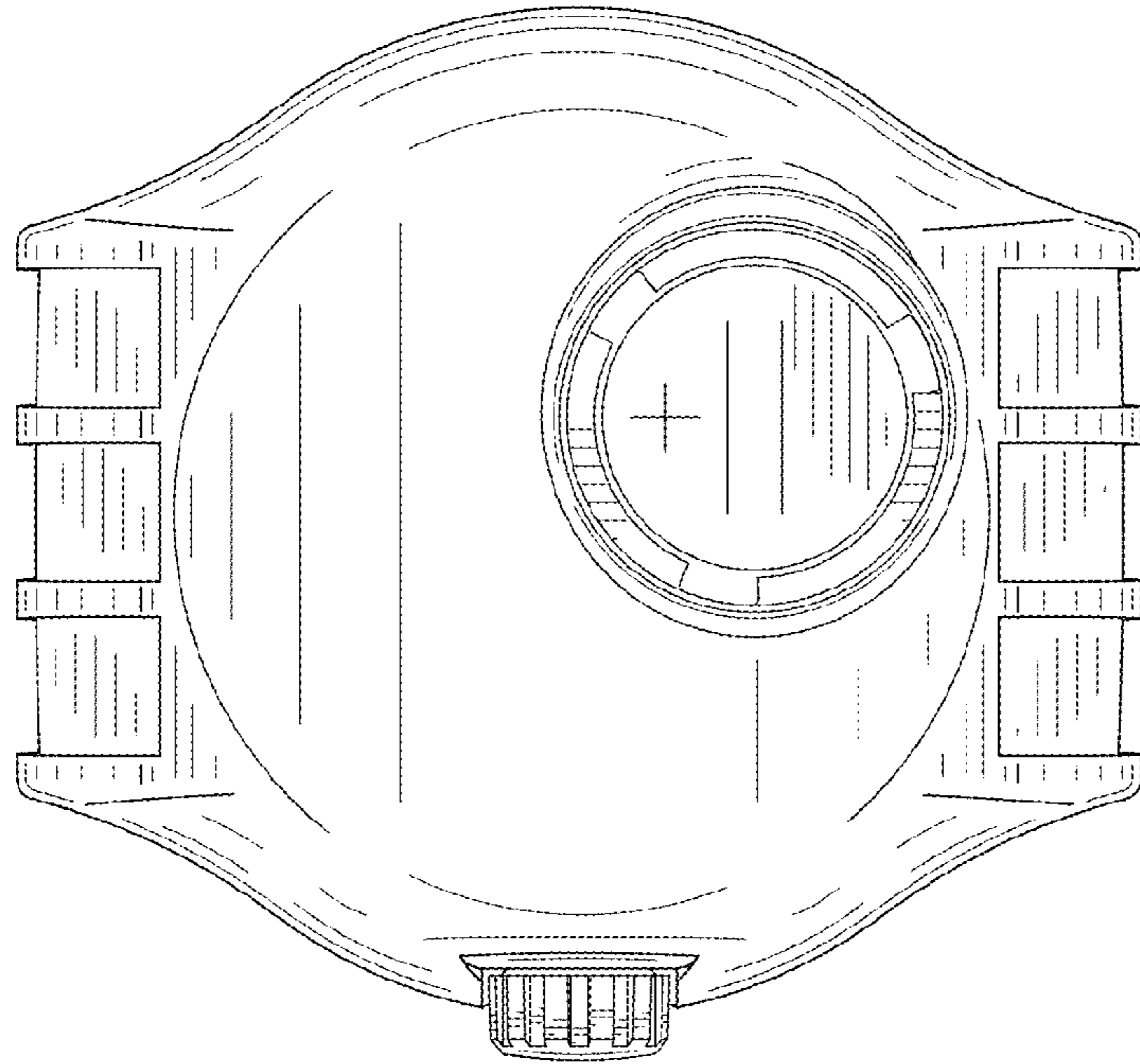


FIG. 4

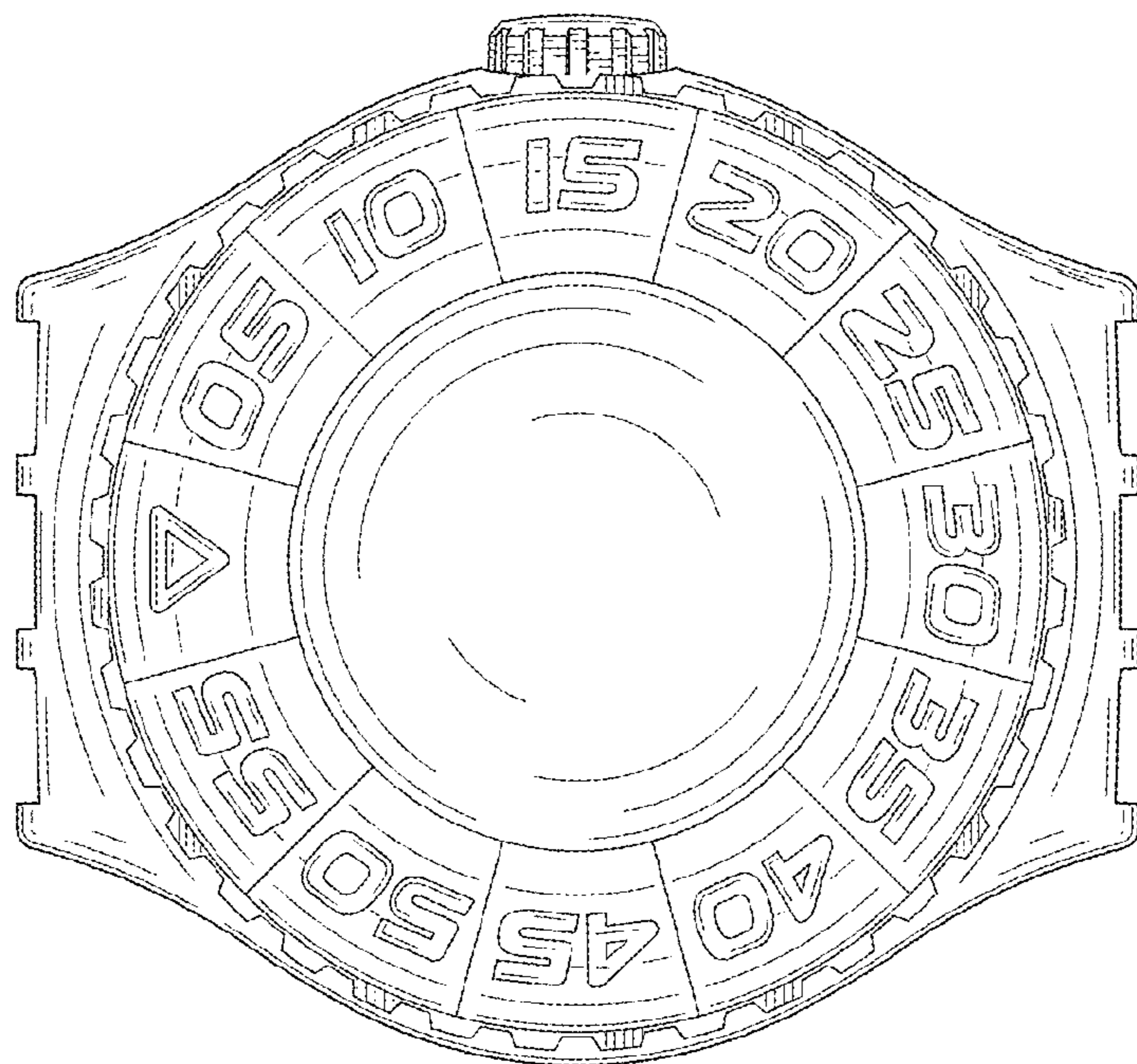


FIG. 3

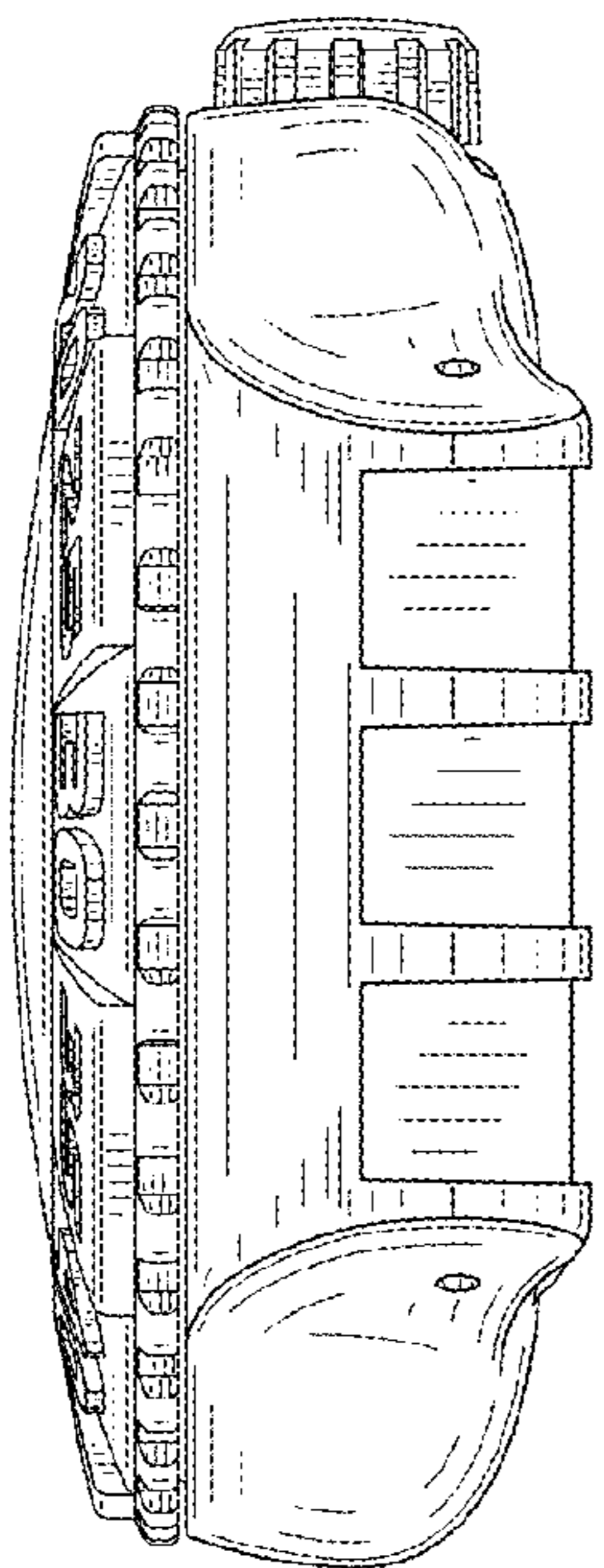


FIG. 6

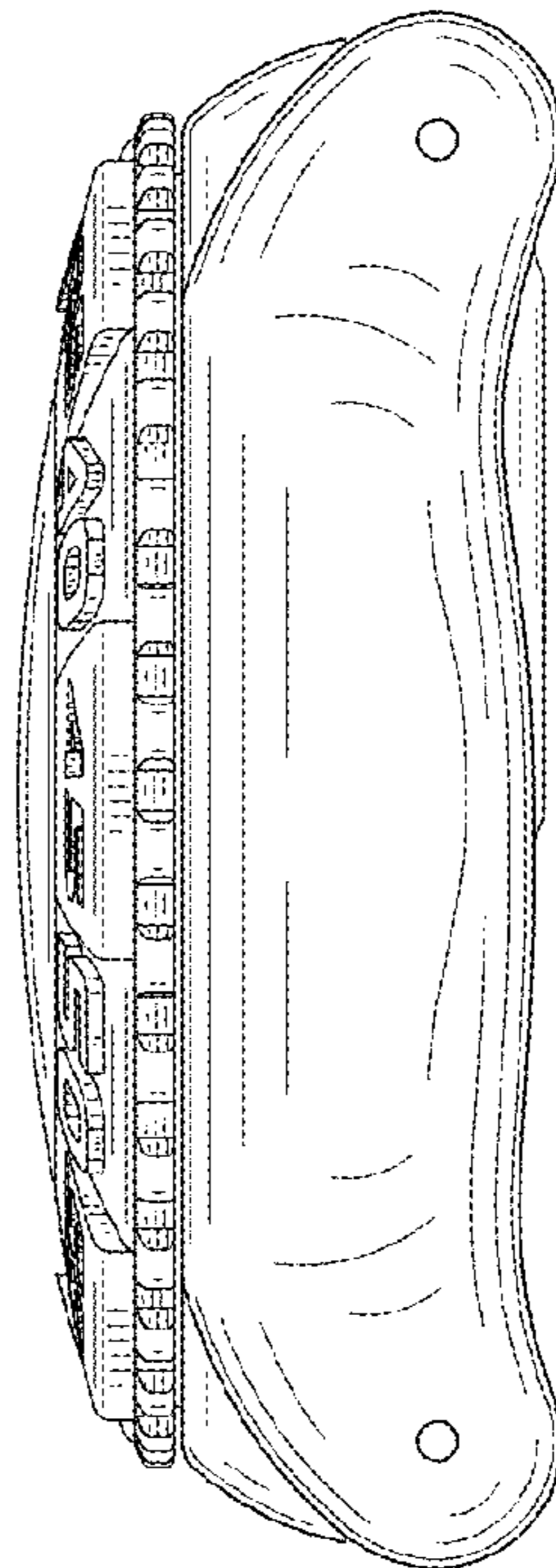


FIG. 8

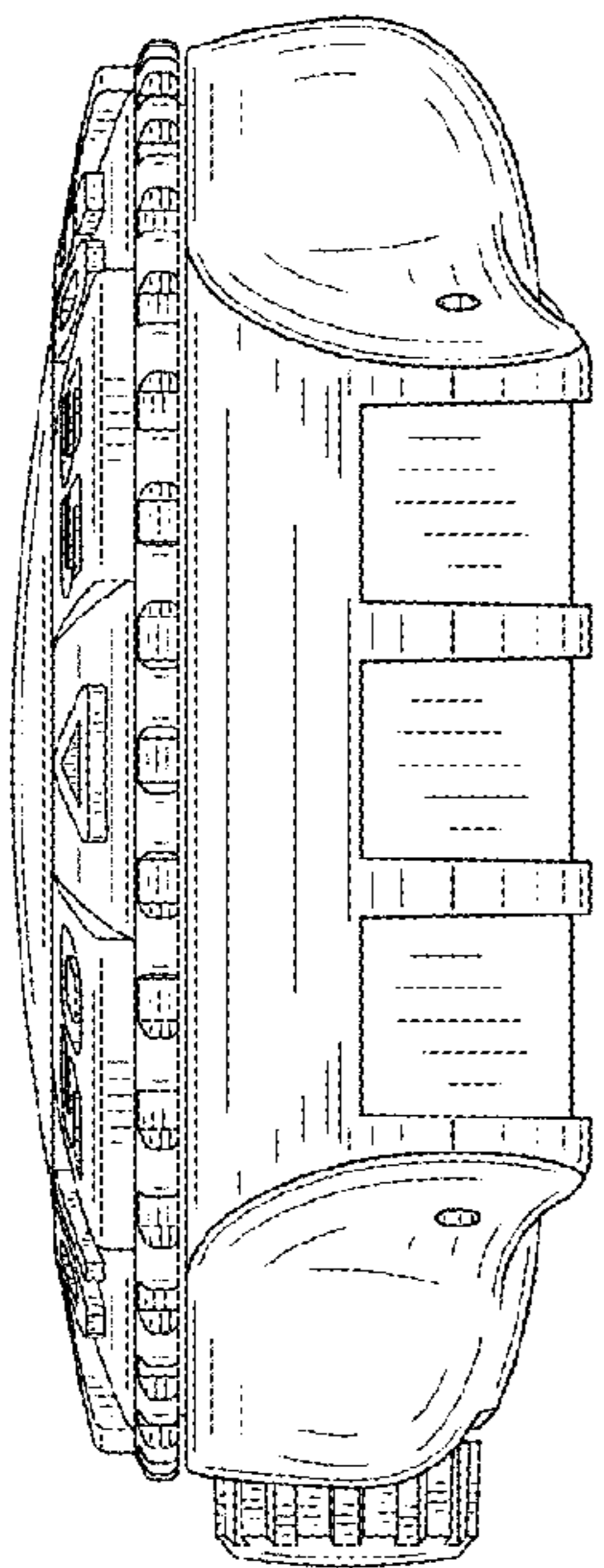


FIG. 5

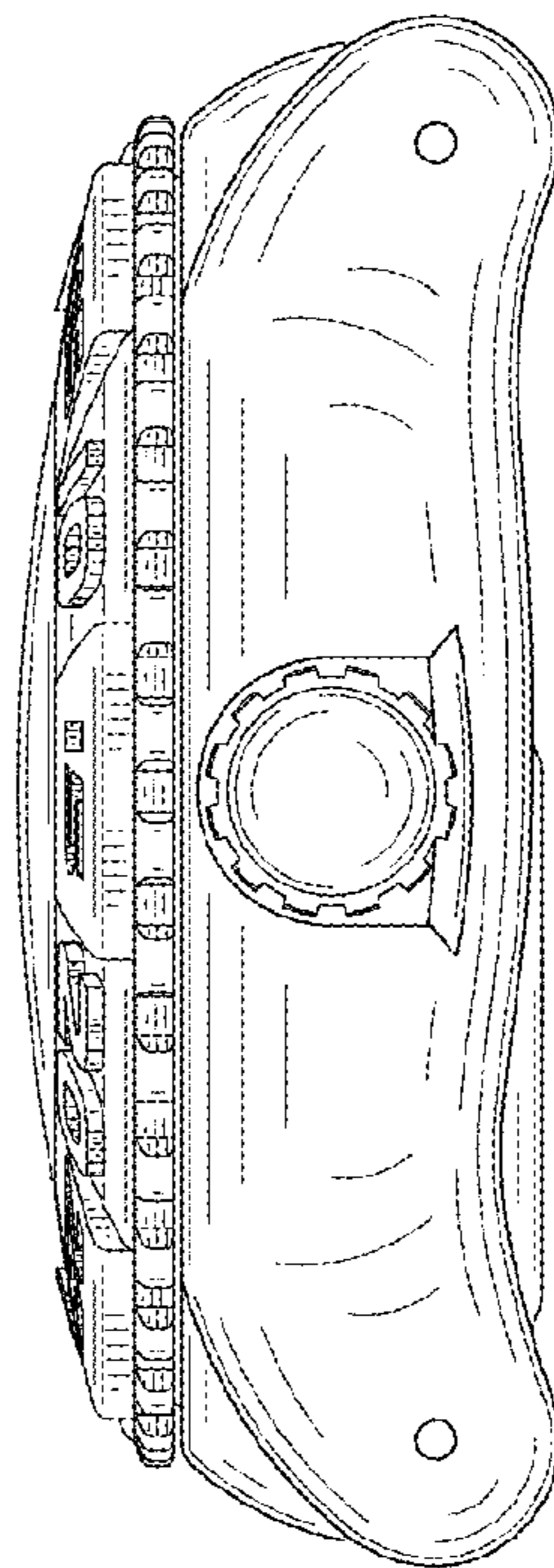


FIG. 7