



US00D692773S

(12) **United States Design Patent**
Kim

(10) **Patent No.:** **US D692,773 S**

(45) **Date of Patent:** **** Nov. 5, 2013**

(54) **COSMETIC CONTAINER**

(75) Inventor: **So Hee Kim**, Seoul (KR)

(73) Assignee: **Amorepacific Corporation**, Seoul (KR)

(**) Term: **14 Years**

(21) Appl. No.: **29/426,611**

(22) Filed: **Jul. 8, 2012**

(30) **Foreign Application Priority Data**

Jan. 12, 2012 (KR) 30-2012-0001638

(51) **LOC (9) Cl.** **09-01**

(52) **U.S. Cl.**
USPC **D9/690; D9/692**

(58) **Field of Classification Search**
USPC D9/500–505, 682–694, 600–681,
D9/516–575, 434–454, 719, 723–729;
222/153.01, 153.03, 153.04, 153.09,
222/153.11–153.14, 182, 631, 635,
222/321.7–321.9, 372, 373, 378, 379,
222/383.1, 384–386, 398, 400.7, 400.8,
222/401, 402.1–402.25; 215/379–384;
220/662, 665, 669–675; D28/7, 76, 77,
D28/85–91.1, 10, 20, 56, 57; 132/74.5, 286,
132/313, 318; 206/581, 229, 823

See application file for complete search history.

(56) **References Cited**

U.S. PATENT DOCUMENTS

D57,588 S * 4/1921 Crawford D9/504
2,906,300 A * 9/1959 Becher 141/18
3,464,412 A * 9/1969 Schwartz 604/89
D251,203 S * 2/1979 Williamson D24/114
D258,454 S * 3/1981 Echevarria et al. D19/42

D296,060 S * 6/1988 Wilkinson D6/542
D299,973 S * 2/1989 Campello et al. D28/7
D303,627 S * 9/1989 Wilkinson D9/689
D328,244 S * 7/1992 Hamilton et al. D9/724
D337,259 S * 7/1993 Curtis et al. D9/688
D458,143 S * 6/2002 Ackerman D9/549
D471,796 S * 3/2003 de Baschmakoff et al. ... D9/692
D523,350 S * 6/2006 Ohmoto et al. D9/690
D534,813 S * 1/2007 Francavilla et al. D9/724
D551,569 S * 9/2007 Tanaka D9/724
D557,337 S * 12/2007 Isaacs D19/42
D601,898 S * 10/2009 Ikeda et al. D9/503
D624,641 S * 9/2010 Boclet D24/110
7,874,461 B2 * 1/2011 Bae 222/153.13
D645,750 S * 9/2011 Lee D9/504
D675,540 S * 2/2013 Montminy D9/724

FOREIGN PATENT DOCUMENTS

EM 000061486-0003 * 5/2005
KR 300429302.0000 * 11/2006
KR 300455342.0000 * 7/2007
WO D010327-001 * 4/1988
WO D011985-001 * 12/1988

* cited by examiner

Primary Examiner — Catherine Tuttle

(74) *Attorney, Agent, or Firm* — Justin H. Kim; Maxon IP LLC.

(57) **CLAIM**

The ornamental design for a cosmetic container, as shown.

DESCRIPTION

FIG. 1 is a perspective view;
FIG. 2 is a front view thereof;
FIG. 3 is a rear view thereof;
FIG. 4 is a left side view thereof;
FIG. 5 is a right side view thereof; and,
FIG. 6 is a top view thereof.

1 Claim, 6 Drawing Sheets

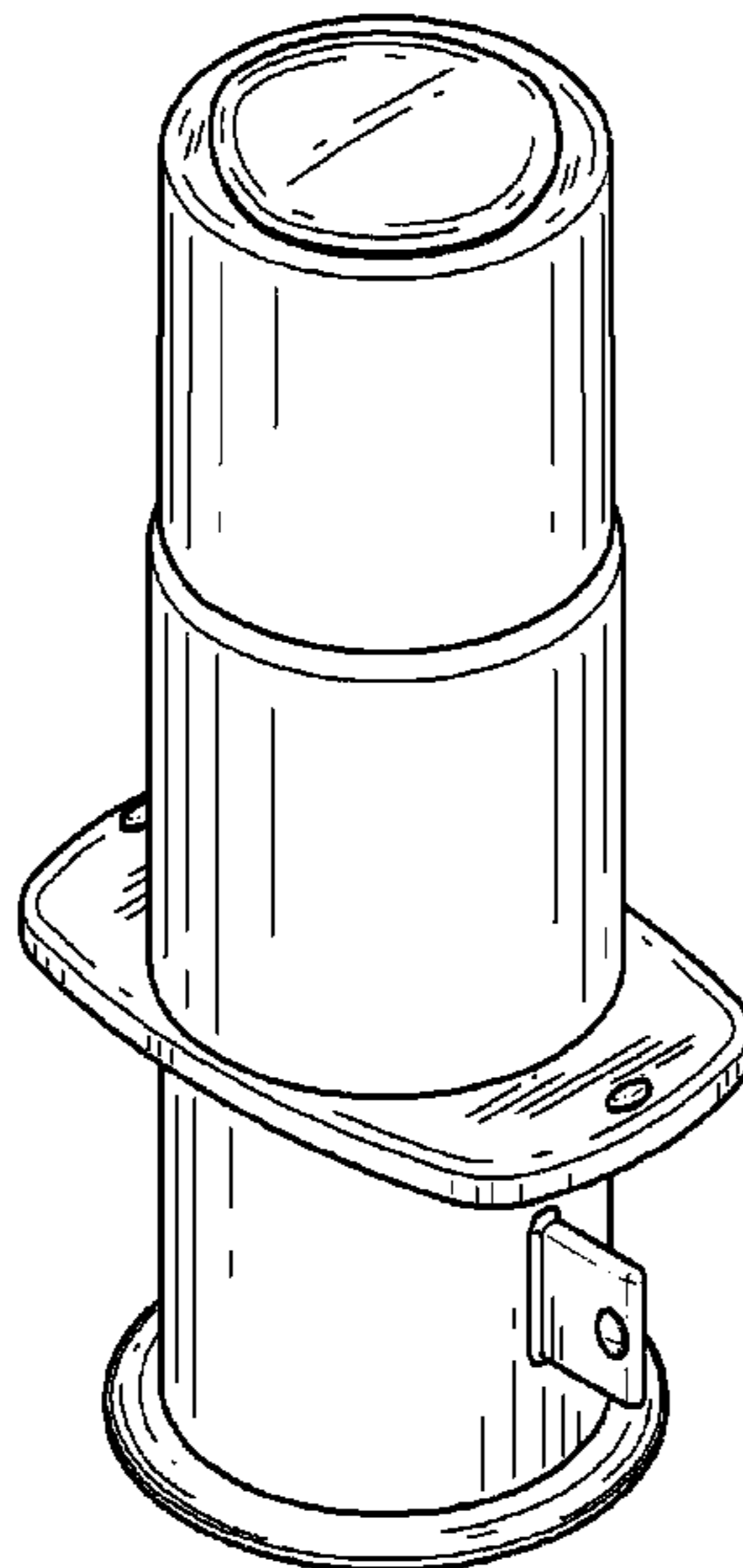


FIG. 1

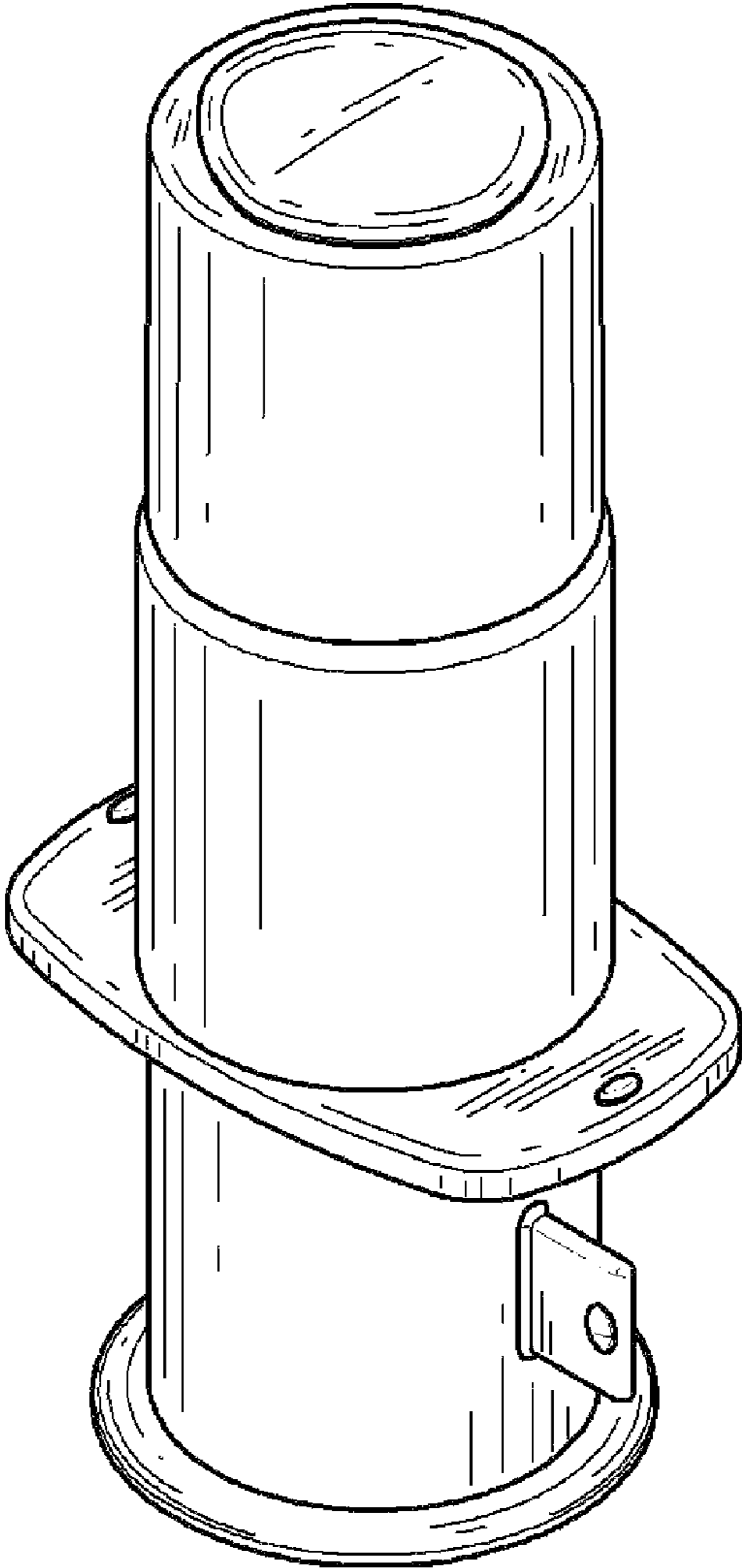


FIG. 2

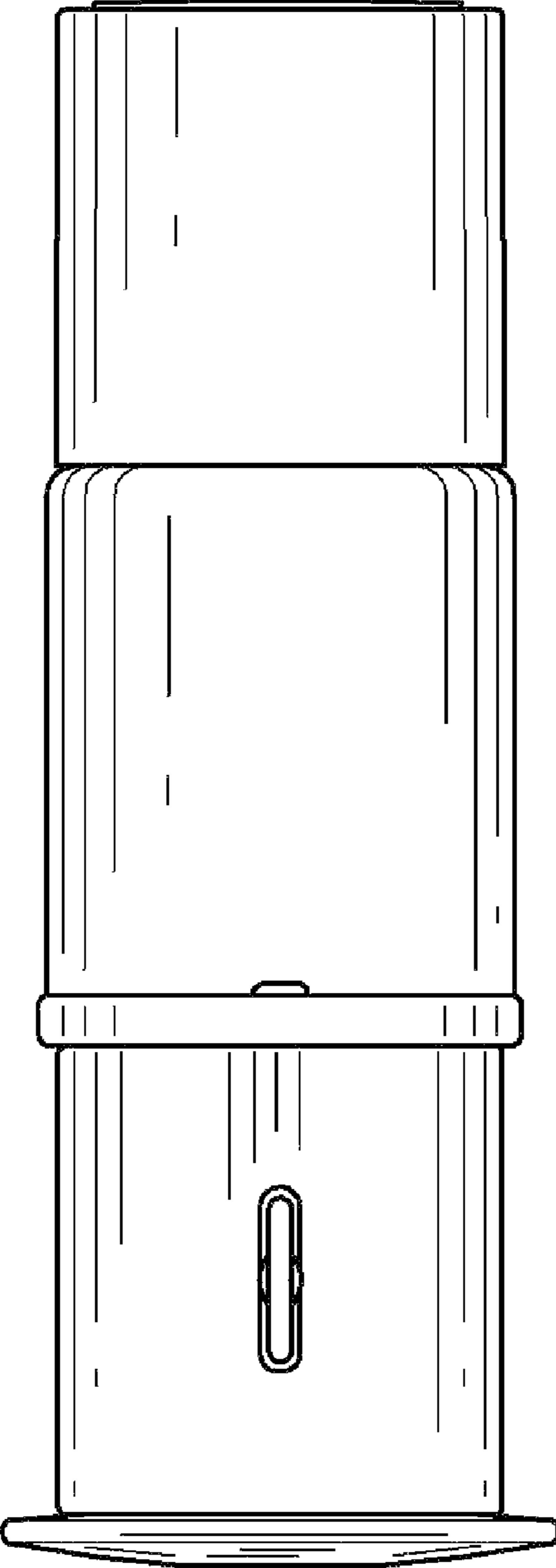


FIG. 3

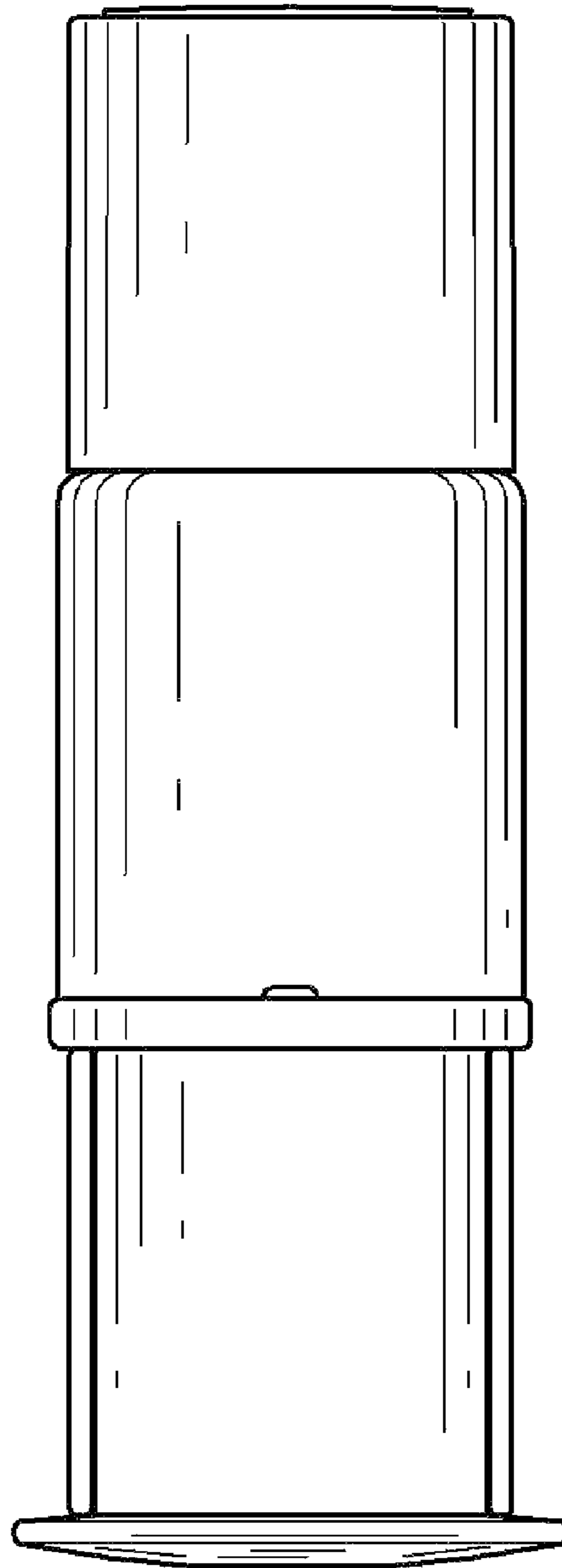


FIG. 4

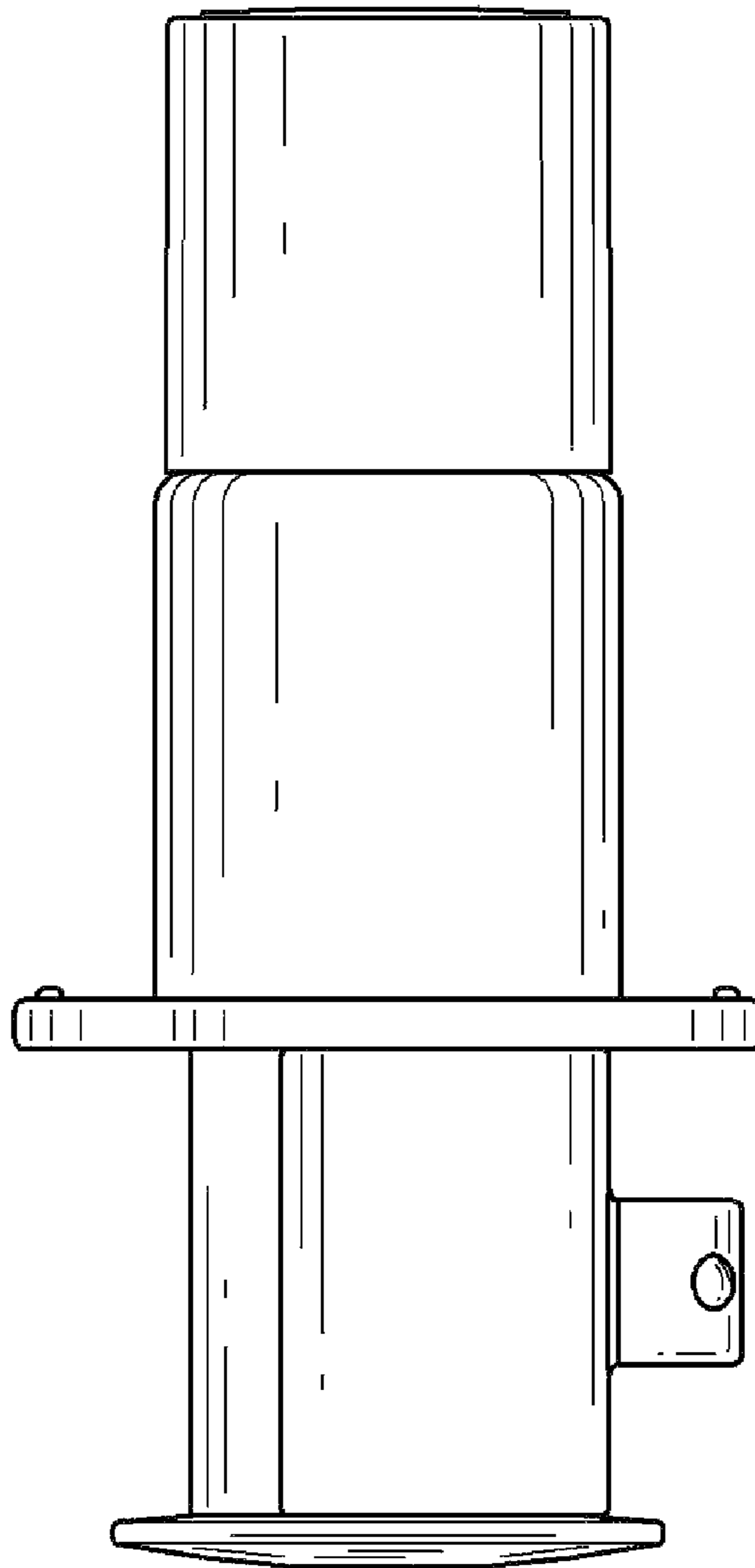


FIG. 5

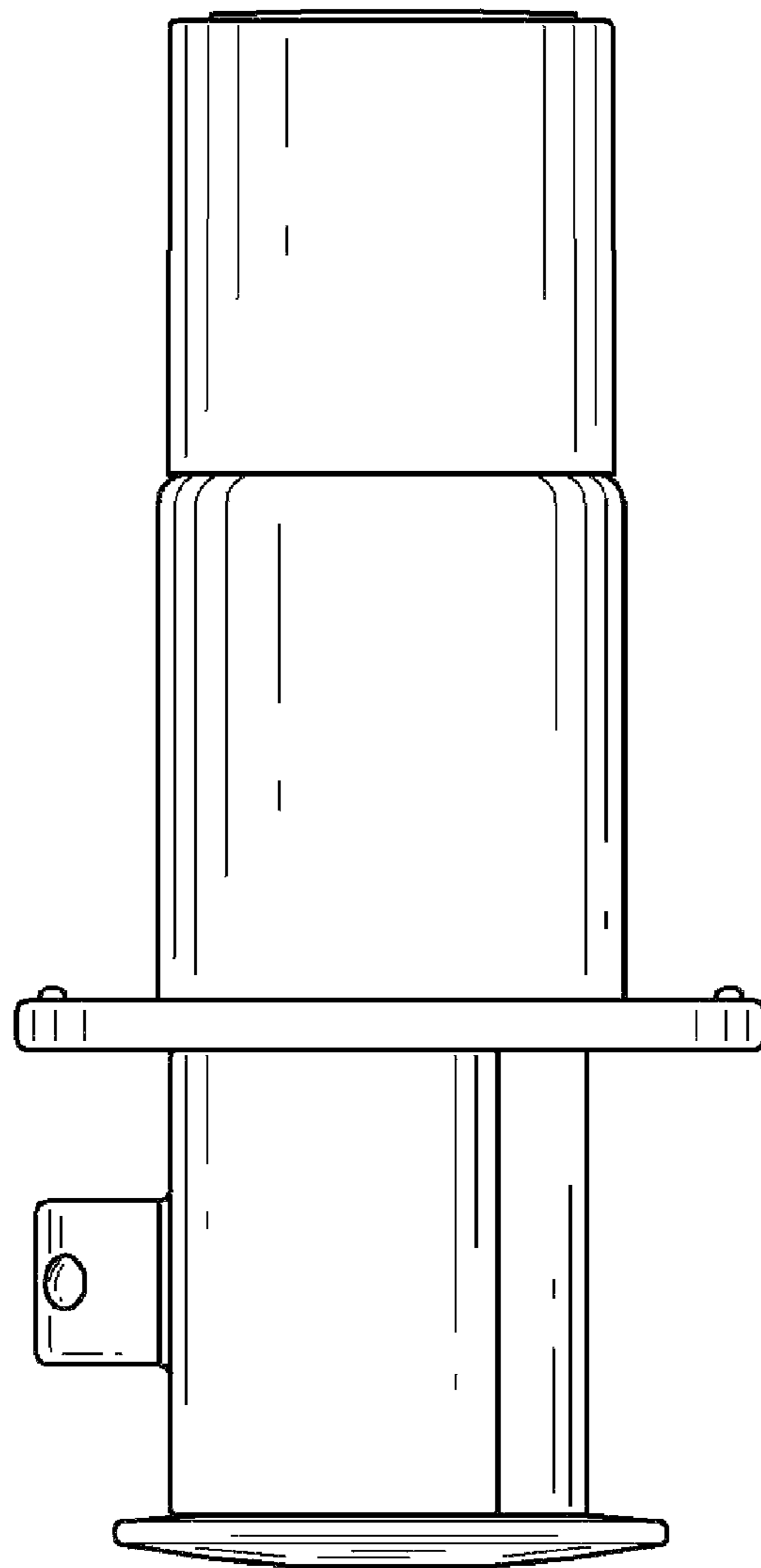


FIG. 6

