



US00D692772S

(12) **United States Design Patent**  
**Krishan**

(10) **Patent No.:** **US D692,772 S**  
(45) **Date of Patent:** **\*\* Nov. 5, 2013**

(54) **BOUQUET OF SPICE DISPENSERS**

(74) *Attorney, Agent, or Firm* — Ash Tankha; Lipton, Weinberger & Husick

(76) Inventor: **Baldev Krishan**, Fremont, CA (US)

(\*\*) Term: **14 Years**

(57) **CLAIM**  
The ornamental design for a bouquet of spice dispensers, as shown and described.

(21) Appl. No.: **29/424,283**

(22) Filed: **Jun. 11, 2012**

**DESCRIPTION**

(51) **LOC (9) Cl.** ..... **09-01**

(52) **U.S. Cl.**  
USPC ..... **D9/661**

(58) **Field of Classification Search**  
USPC ..... D9/600, 655–664; 206/457, 527;  
215/400; 220/890; D7/514–517, 520,  
D7/594; D3/270, 271.1, 271.8; D11/157  
See application file for complete search history.

FIG. 1 is a front isometric view of an ornamental design for a bouquet of spice dispensers positioned in a vase, where each spice dispenser comprises a flower head attached to a transparent tubular stem that contains spices.  
FIG. 2 is a side elevation view thereof, showing attachment of the flower heads of the spice dispensers to the tubular stems of the spice dispensers by perforated corks.  
FIG. 3 is a rear isometric view thereof, showing perforations on the rear opposing sides of the flower heads of the spice dispensers for dispensing spices contained within the tubular stems of the spice dispensers.  
FIG. 4 is a front elevation view thereof, showing perforations on the front opposing sides of the flower heads of the spice dispensers for dispensing spices contained within the tubular stems of the spice dispensers.  
FIG. 5 is a top view thereof.  
FIG. 6 is a bottom isometric view thereof, showing the tubular stems of the spice dispensers; and,  
FIG. 7 is a front isometric view thereof, showing a projected enlarged view of a flower head of a spice dispenser having perforations on the front opposing side of the flower head for dispensing spices contained within the tubular stem of the spice dispenser.

(56) **References Cited**

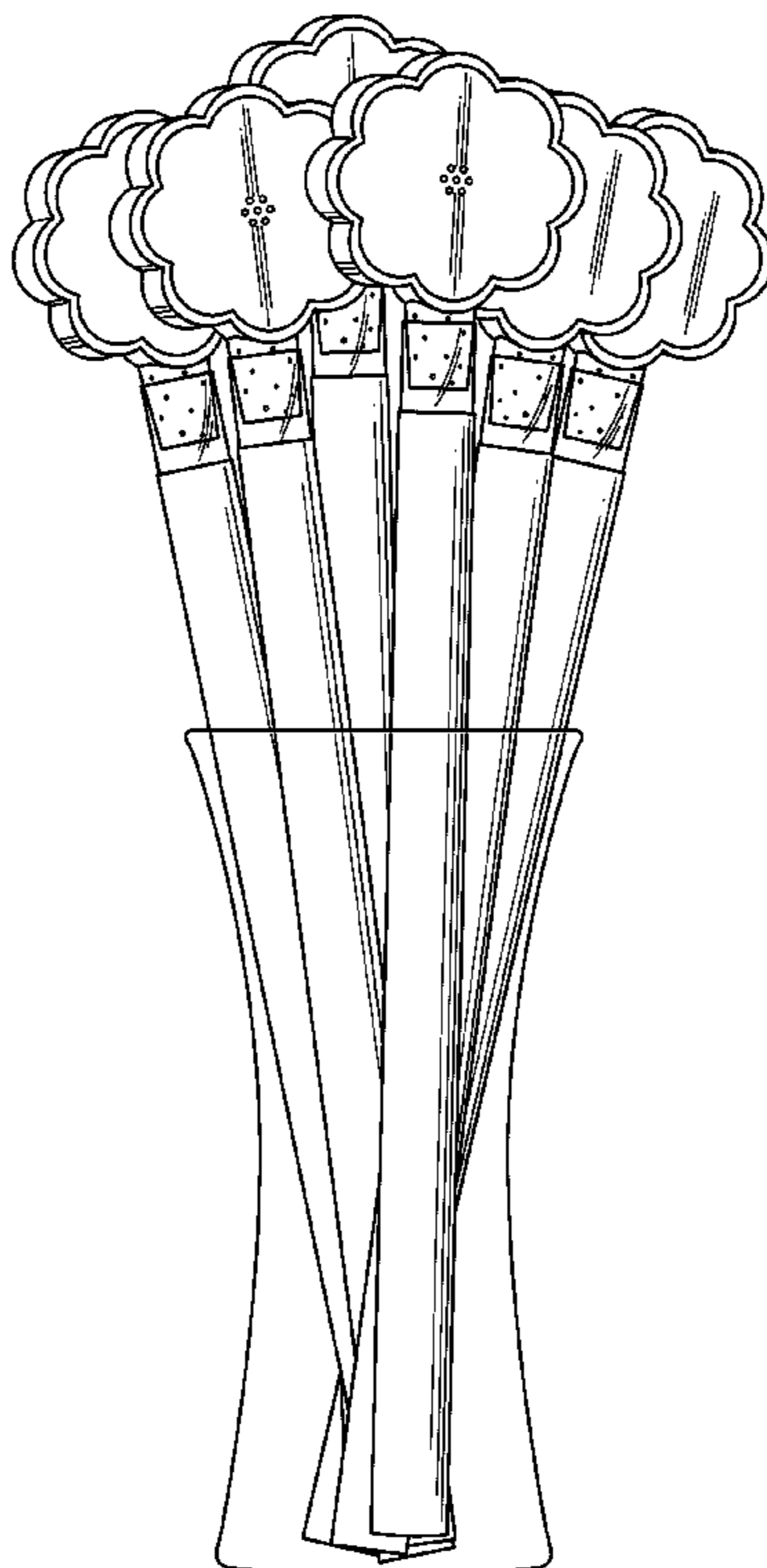
U.S. PATENT DOCUMENTS

D70,790 S *	8/1926	Grunberg	.....	D9/662
D110,790 S *	8/1938	Ansell	.....	D9/661
D194,683 S *	2/1963	Clegg	.....	D9/662
D203,212 S *	12/1965	Lisante	.....	D7/594
D223,313 S *	4/1972	White	.....	D3/271.8
D380,673 S *	7/1997	Siripreedabhakd et al.	...	D9/663
D388,754 S *	1/1998	Largent	.....	D11/157
D405,359 S *	2/1999	Thierry et al.	.....	D9/661
D433,934 S *	11/2000	Gatti	.....	D9/662
D582,281 S *	12/2008	Zanaletti	.....	D9/643
D623,957 S *	9/2010	Canuto	.....	D9/643

\* cited by examiner

*Primary Examiner* — Sandra Morris

**1 Claim, 7 Drawing Sheets**



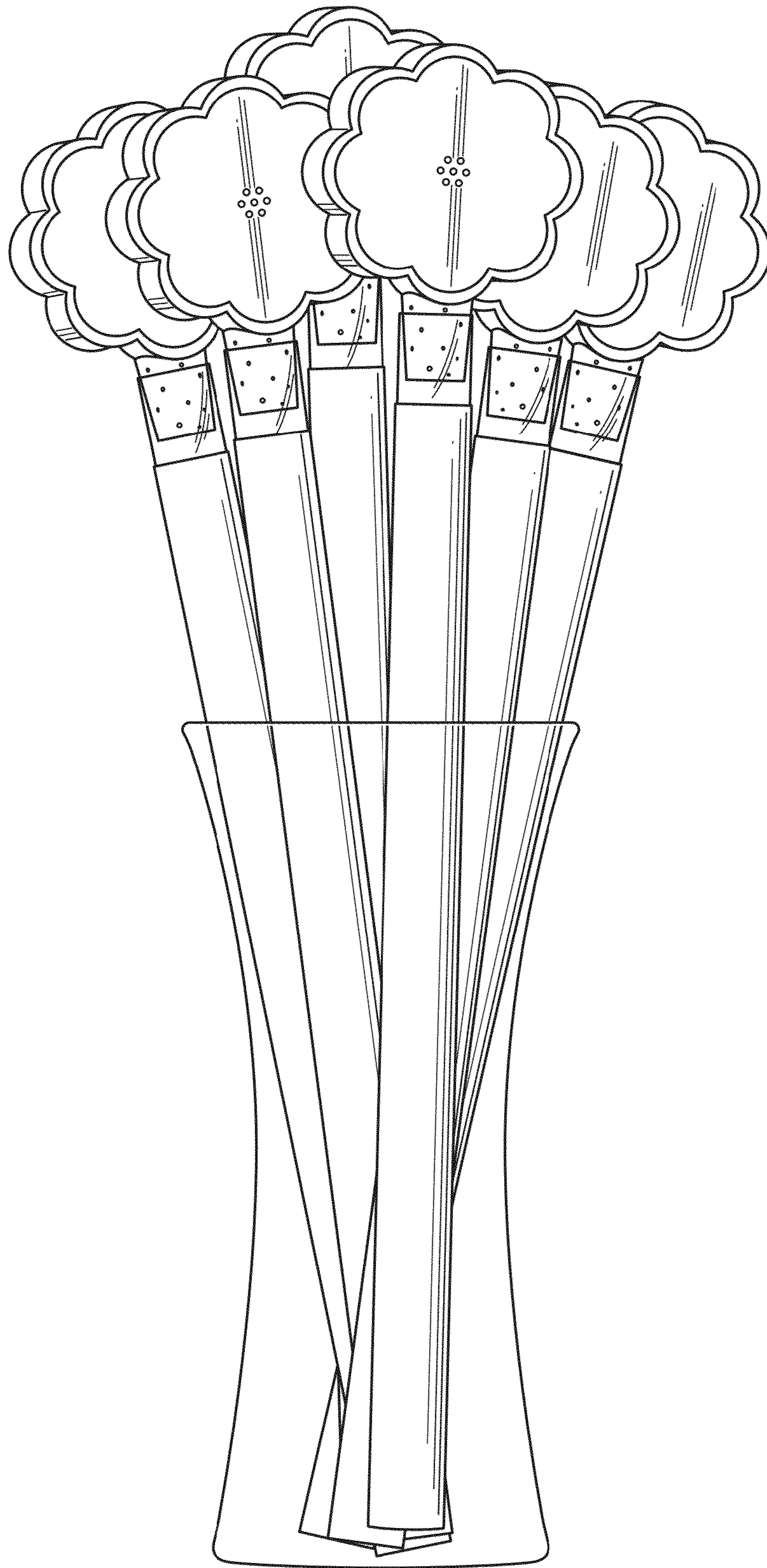


FIG. 1

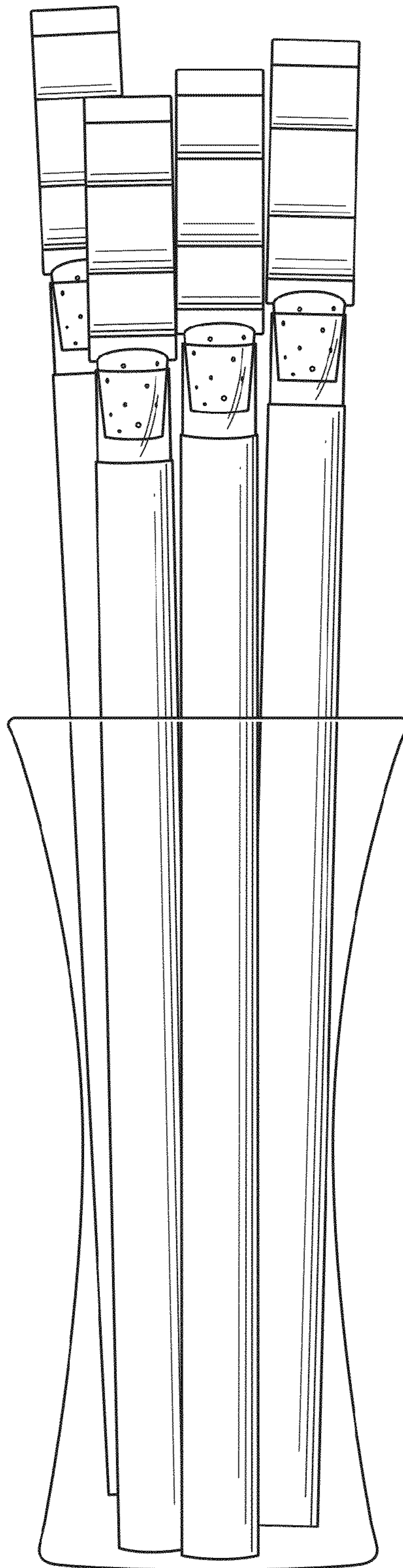


FIG. 2

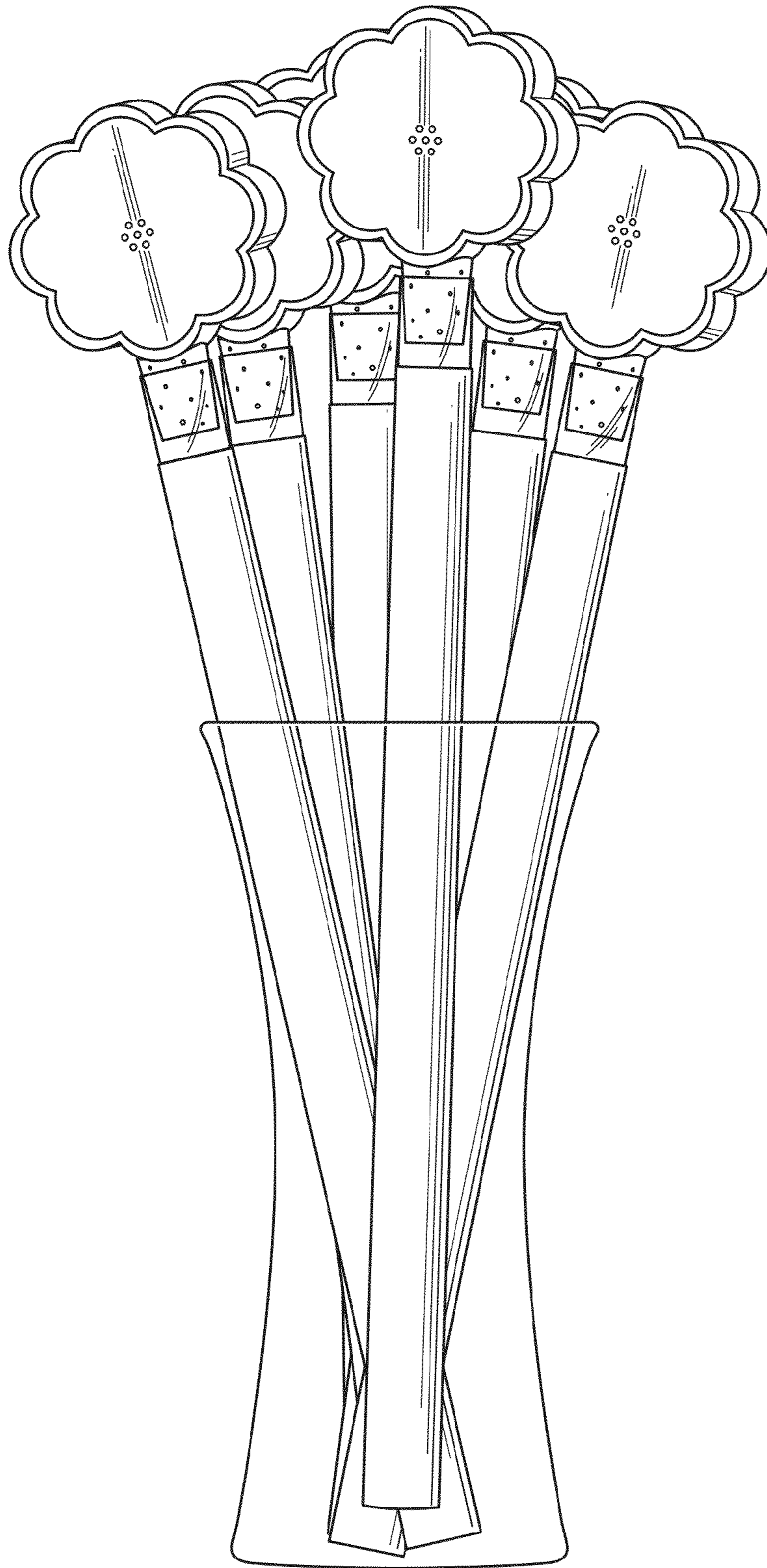


FIG. 3

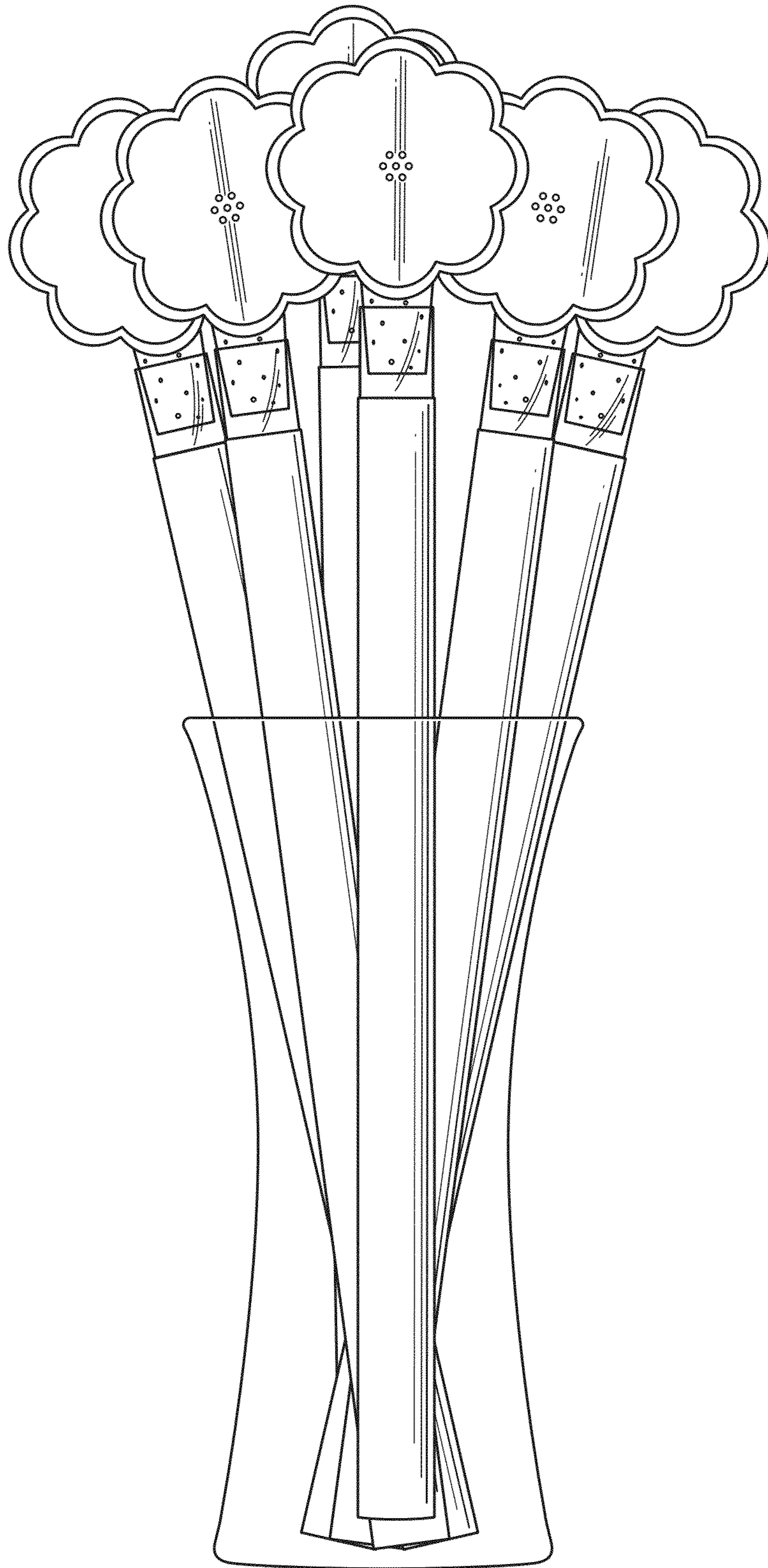


FIG. 4

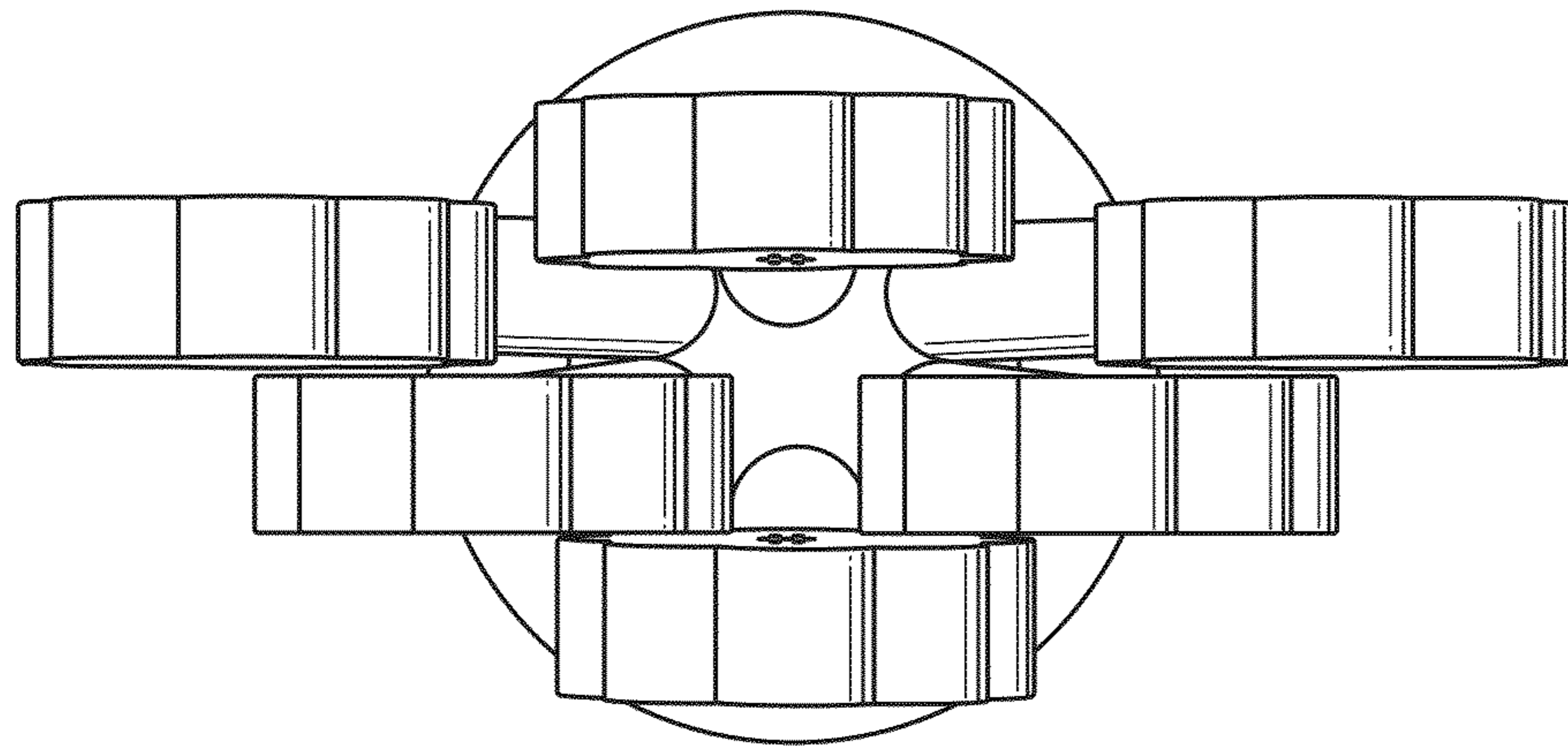


FIG. 5

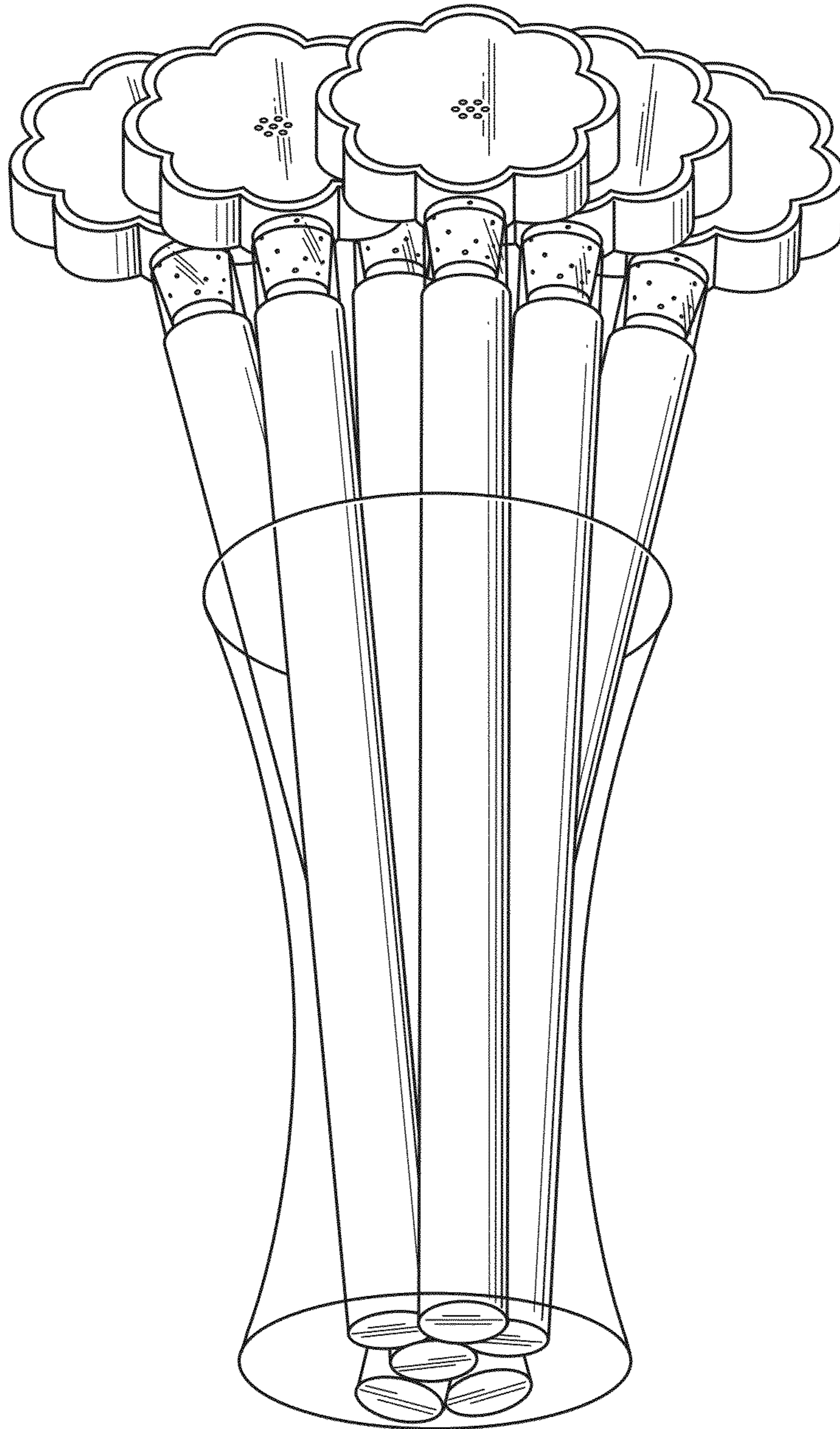


FIG. 6

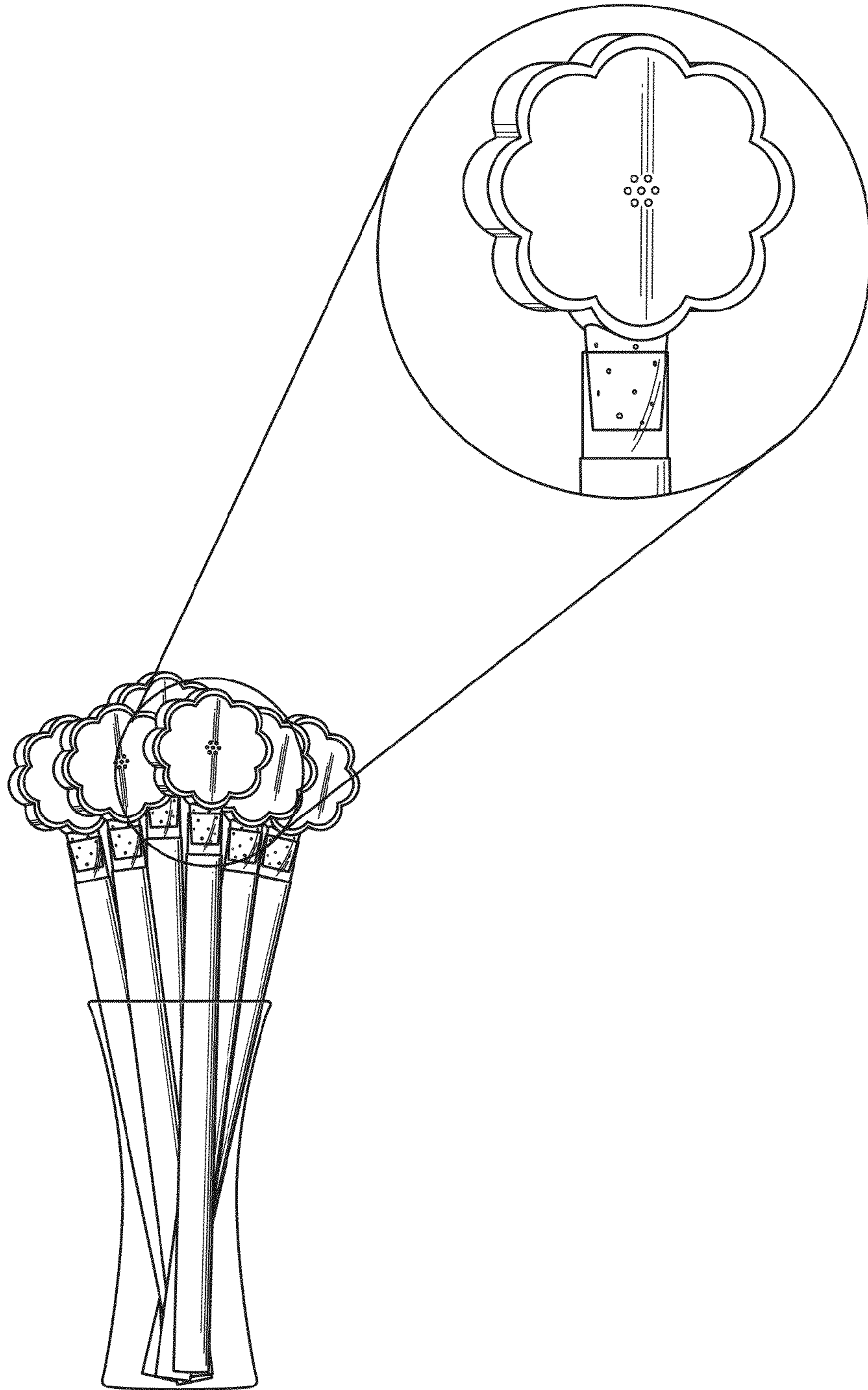


FIG. 7