

US00D692764S

(12) **United States Design Patent**
Rhodes et al.

(10) **Patent No.:** **US D692,764 S**

(45) **Date of Patent:** **** Nov. 5, 2013**

(54) **CONTAINER**

(75) Inventors: **Evan Rhodes**, Sandy Hook, CT (US);
Albert Sangjo Lee, Hamden, CT (US);
John Bischoff, Austintown, OH (US);
Matthew Scott Okin, Englewood Cliffs,
NJ (US); **Laurent Jean-Marie Hainaut**,
New York, NY (US); **Sheldonia Nicole**
Jamison, Trumbull, CT (US)

(73) Assignee: **Conopco, Inc.**, Englewood Cliffs, NJ
(US)

(**) Term: **14 Years**

(21) Appl. No.: **29/418,658**

(22) Filed: **Apr. 19, 2012**

(51) **LOC (9) Cl.** **09-01**

(52) **U.S. Cl.**
USPC **D9/516; D9/537; D9/539**

(58) **Field of Classification Search**
USPC D9/516, 529–530, 537–543, 549, 571,
D9/575, 550, 555, 558, 563, 574;
215/379–384; 220/660–662, 669–673,
220/675

See application file for complete search history.

(56) **References Cited**

U.S. PATENT DOCUMENTS

D129,509 S * 9/1941 Lundy D9/520
D209,625 S * 12/1967 Hills D9/523
D226,170 S * 1/1973 Davis et al. D9/542
D237,358 S * 10/1975 Blank D9/542
D579,342 S 10/2008 Claughton et al.
D580,776 S 11/2008 Claughton et al.
D586,215 S * 2/2009 Gonzalez et al. D9/516

D604,628 S * 11/2009 Schultz D9/542
D682,701 S * 5/2013 Stephan et al. D9/539
D682,702 S * 5/2013 Stephan et al. D9/539

OTHER PUBLICATIONS

“Dove Men + Care Body and Face Wash on sale prior to Feb. 20,
2012”, p. 1-2.

Co-Pending application Rhodes et al., U.S. Appl. No. 29/416,348,
filed Mar. 21, 2012.

Co-Pending application Rhodes et al., U.S. Appl. No. 29/416,349,
filed Mar. 21, 2012.

Co-Pending application Rhodes et al., U.S. Appl. No. 29/418,657,
filed Apr. 19, 2012.

* cited by examiner

Primary Examiner — Ian Simmons

Assistant Examiner — Dana L Meyrow

(74) *Attorney, Agent, or Firm* — Alan A. Bornstein

(57) **CLAIM**

The ornamental design for a container, as shown and
described.

DESCRIPTION

FIG. 1 is a front perspective view of a container showing our
new design;

FIG. 2 is a front elevational view thereof;

FIG. 3 is a back elevational view thereof; and,

FIG. 4 is a right side elevational view thereof, the opposite
side being a mirror image thereof.

The broken line immediately adjacent to the shaded area
represents the bounds of the claimed design. All other broken
lines are directed to environment and are for illustrative pur-
poses only; the broken lines form no part of the claimed
design.

1 Claim, 3 Drawing Sheets

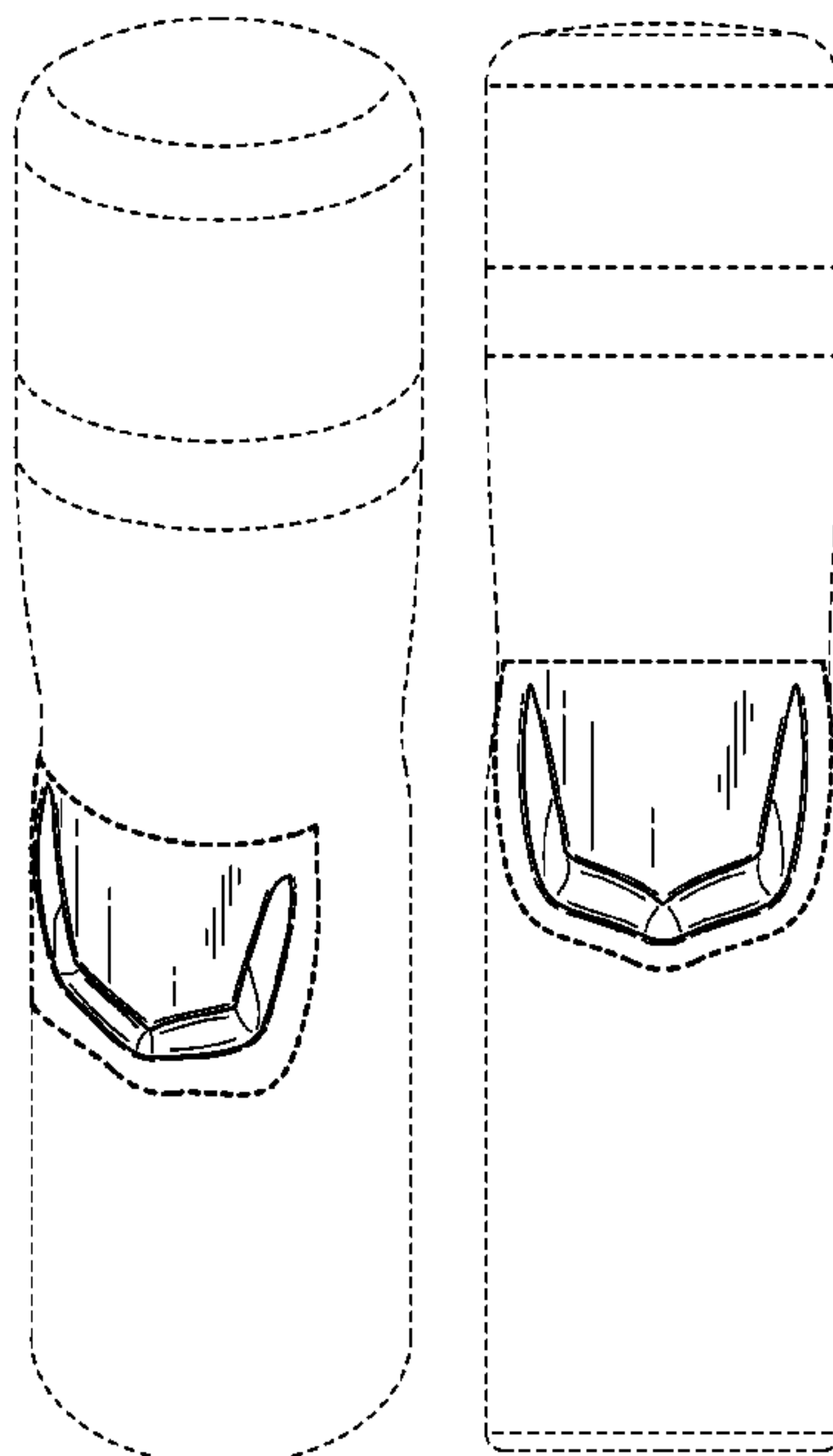


FIG. 1

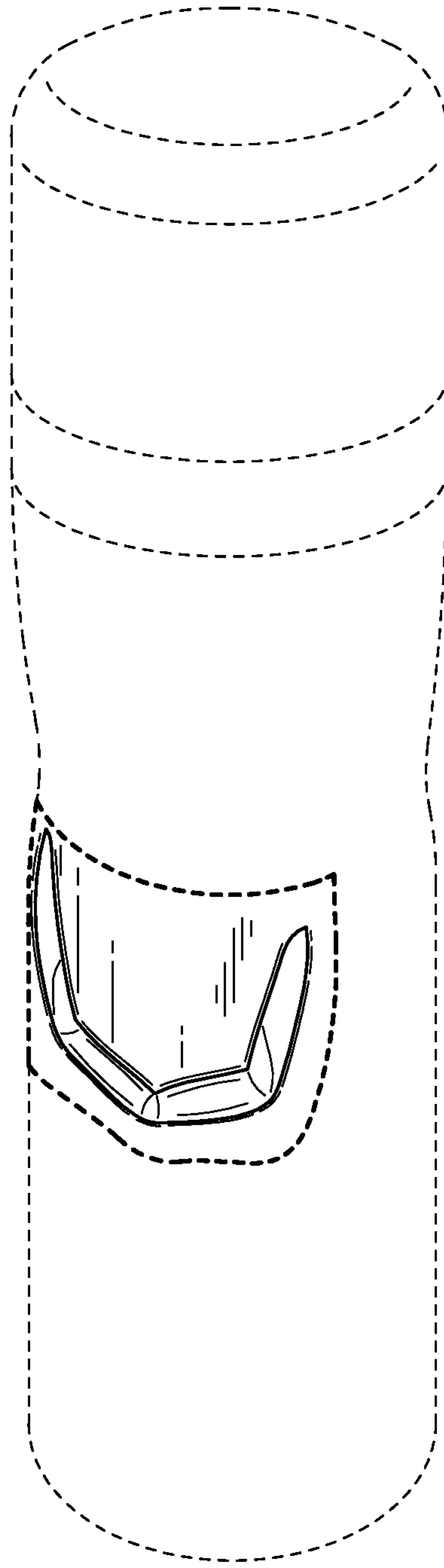


FIG. 2

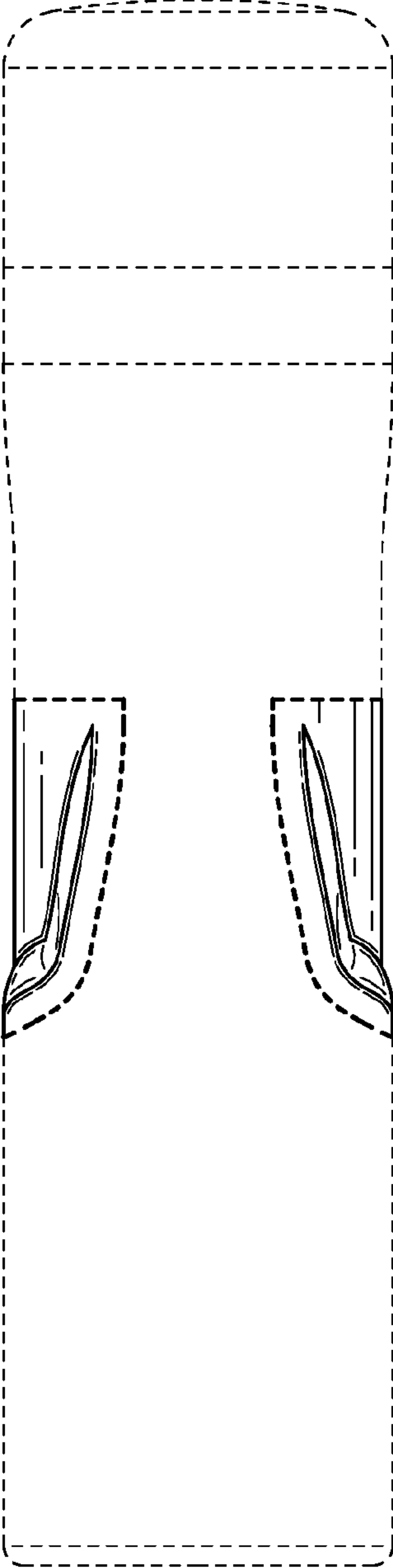


FIG. 3

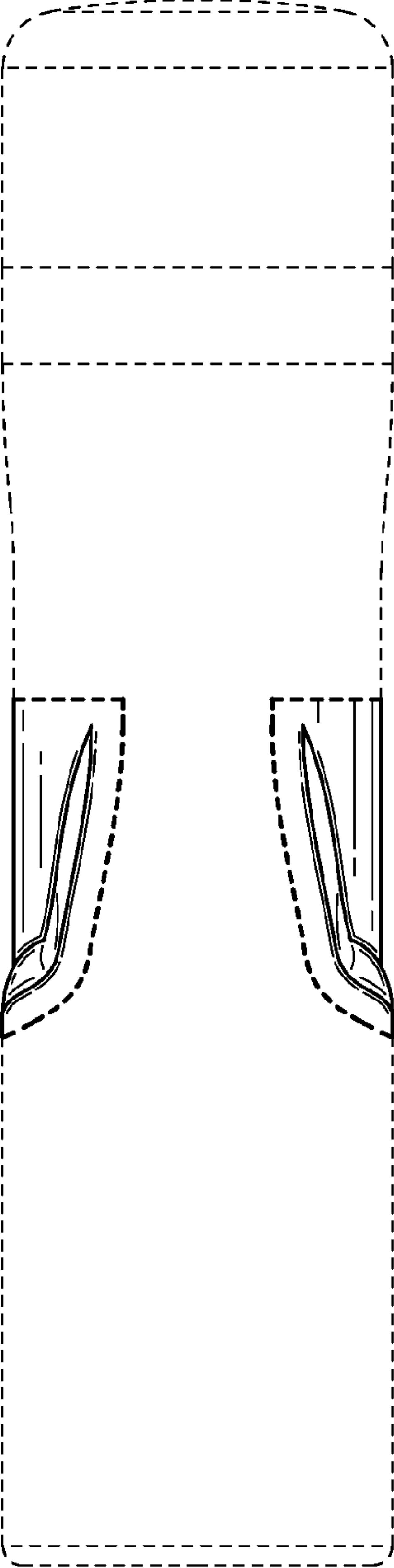


FIG. 4

