

US00D692763S

(12) **United States Design Patent**
Walter et al.

(10) **Patent No.:** **US D692,763 S**
(45) **Date of Patent:** **** Nov. 5, 2013**

(54) **VIAL WITH CAP**

(75) Inventors: **Alexander Walter**, Pürgen (DE); **Özcan Dönmez**, Landsberg am Lech (DE); **Stefan Eckstein**, Munich (DE); **Dirk Lenz**, Munich (DE)

(73) Assignee: **3M Innovative Properties Company**, Saint Paul, MN (US)

(**) Term: **14 Years**

(21) Appl. No.: **29/399,996**

(22) Filed: **Aug. 22, 2011**

(30) **Foreign Application Priority Data**

Feb. 23, 2011 (EM) 001261879 / 0001

(51) **LOC (9) Cl.** **09-01**

(52) **U.S. Cl.**
USPC **D9/504; D9/443; D9/575**

(58) **Field of Classification Search**
USPC D9/500, 502-504, 516, 529, 549, 558,
D9/435, 454, 443, 448, 575, 723,
D9/727-728; D24/224; D28/4, 7, 76, 85,
D28/88-89; 215/379, 381-382, 206, 224,
215/305, 318, 321; 220/660, 669, 675
See application file for complete search history.

(56) **References Cited**

U.S. PATENT DOCUMENTS

1,387,211 A 8/1921 Sweeny
D136,098 S 8/1943 Hartman
2,357,979 A 9/1944 Schmitt
D234,123 S 1/1975 Ragagali
4,600,125 A 7/1986 Maynard, Jr.

4,723,691 A 2/1988 Minkevitch
D326,818 S 6/1992 Maquire
D441,916 S * 5/2001 Faillant-Dumas D28/88
D456,952 S * 5/2002 Sakurai et al. D28/76
D504,818 S * 5/2005 Bakic D9/449
D525,136 S * 7/2006 Bakic D9/522
D531,504 S * 11/2006 Norris et al. D9/449
D547,184 S * 7/2007 Kim et al. D9/449
D574,712 S * 8/2008 Bakic D9/522
D598,749 S 8/2009 Maxwell
D622,149 S 8/2010 Bernstein
D638,299 S 5/2011 Bernstein
D656,403 S 3/2012 Bernstein

* cited by examiner

Primary Examiner — Terry Wallace
Assistant Examiner — Dana L Meyrow

(74) *Attorney, Agent, or Firm* — Qiang Han; 3M Innovative Properties Company

(57) **CLAIM**

The ornamental design for a vial with cap, as shown and described.

DESCRIPTION

FIG. 1 is a perspective view showing the new design for a vial with cap.

FIG. 2 is a front view thereof;

FIG. 3 is a back view thereof;

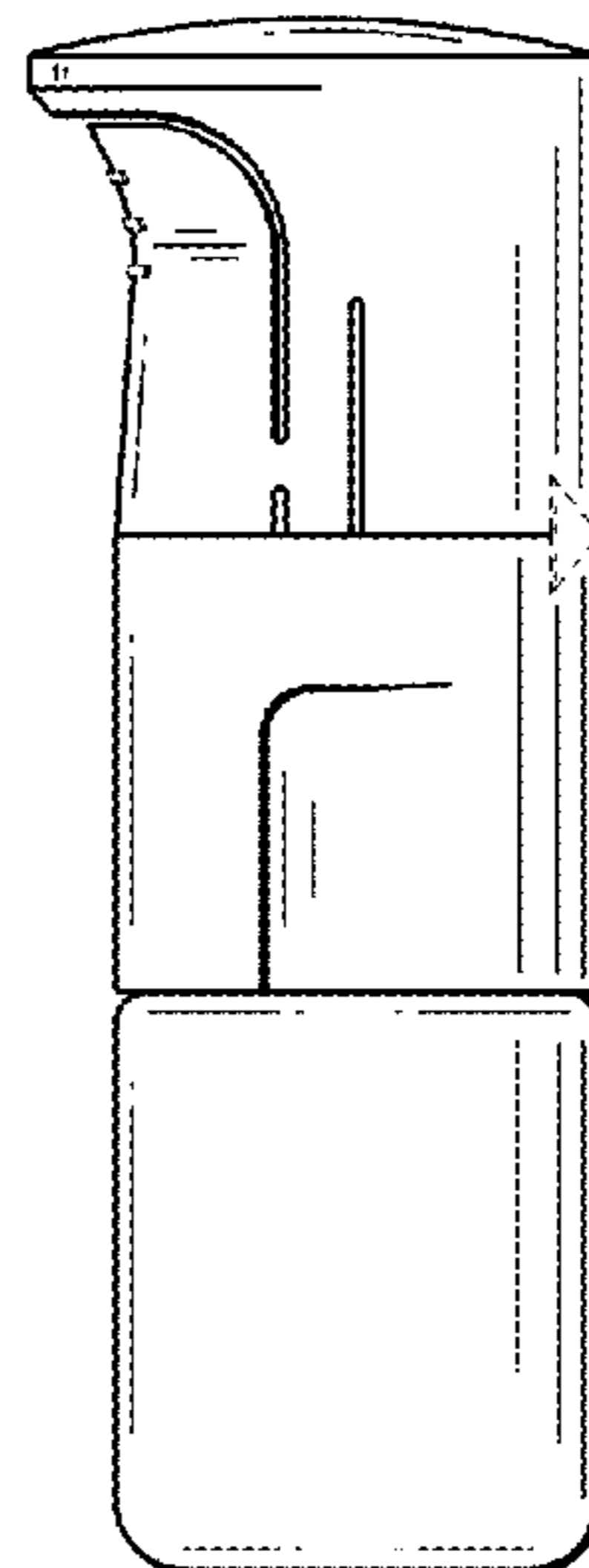
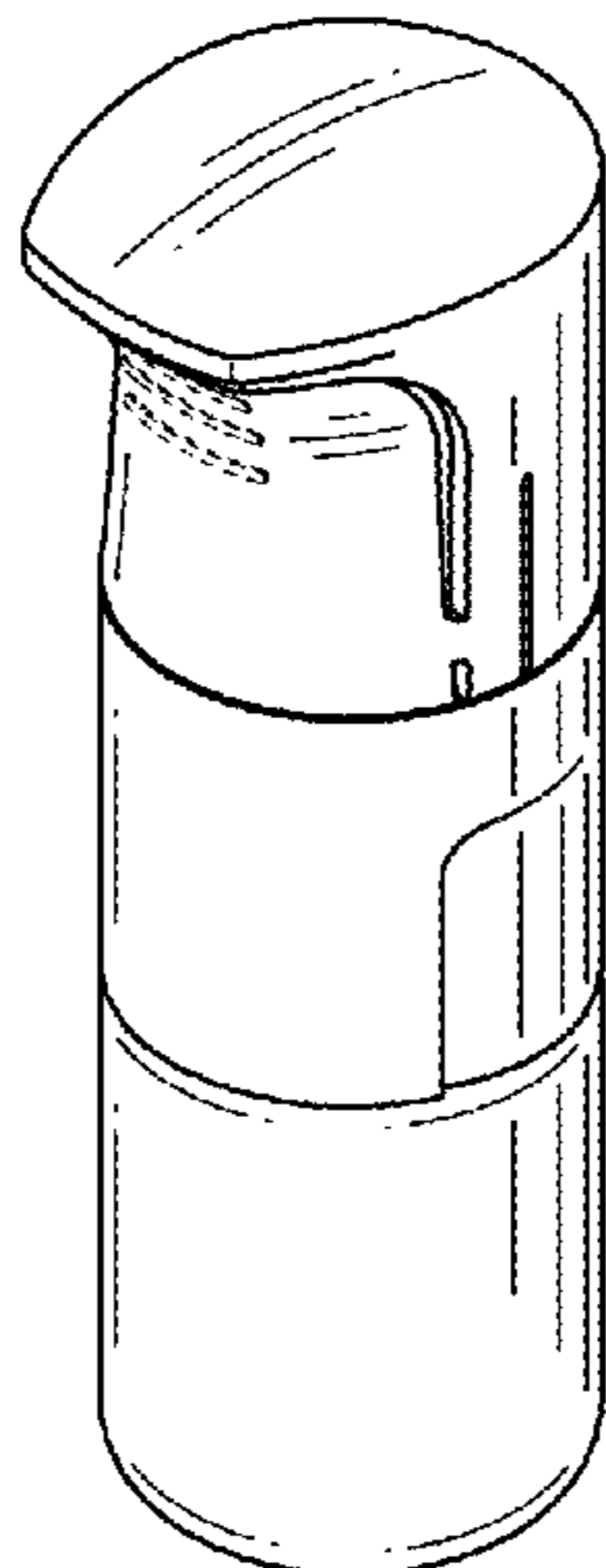
FIG. 4 is a side view thereof;

FIG. 5 is a top view thereof; and,

FIG. 6 is a bottom view thereof.

The evenly dashed broken lines in the drawings illustrate the portions of the design that form no part of the claim. The dot-dot-dash broken line in the FIG. 6 bottom plan view defines the bounds of the claim and forms no part thereof.

1 Claim, 1 Drawing Sheet



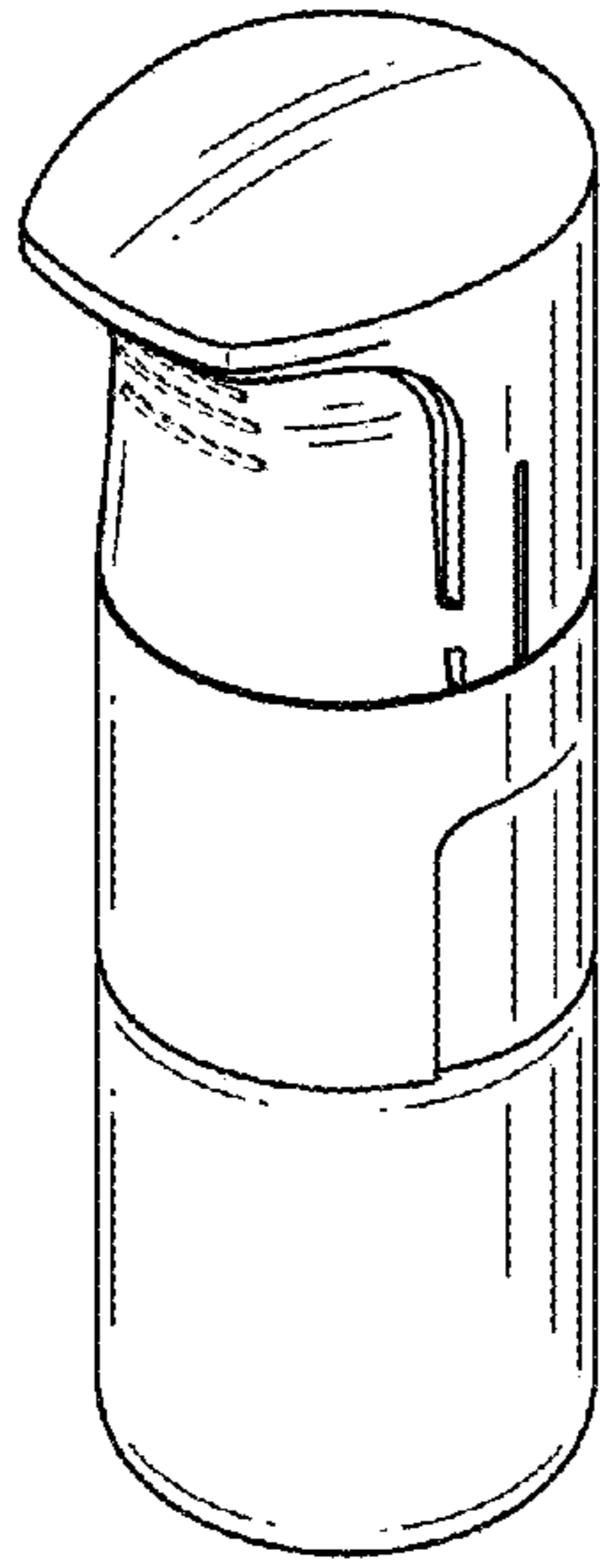


Fig. 1

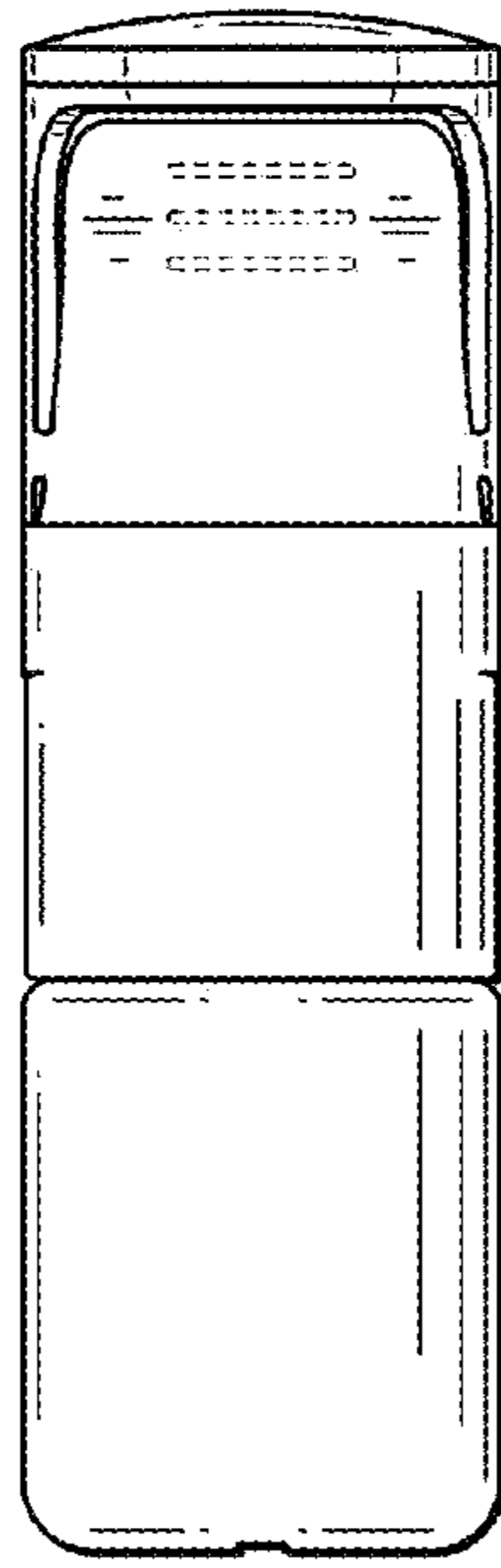


Fig. 2

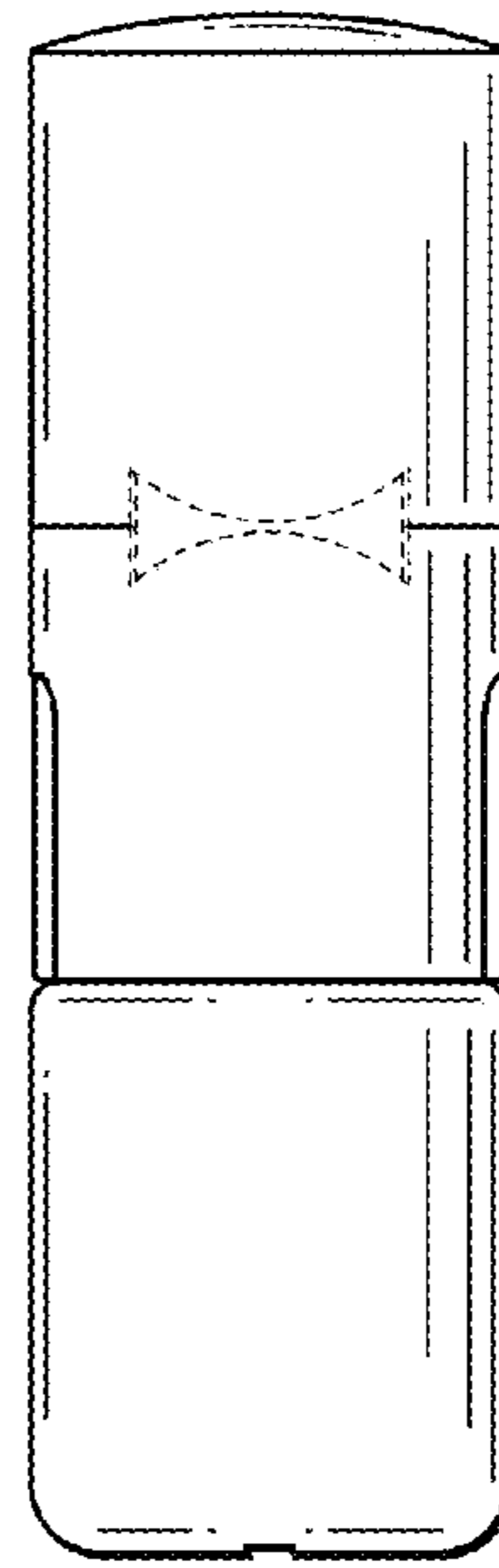


Fig. 3

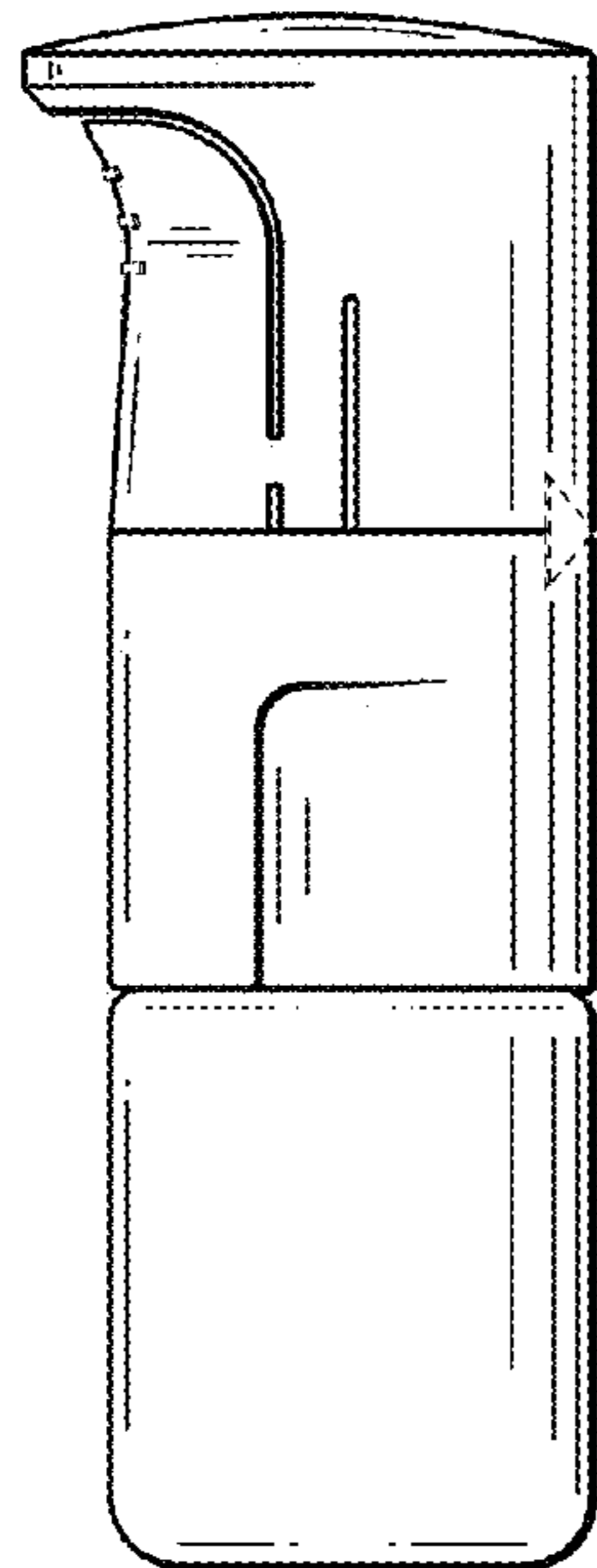


Fig. 4

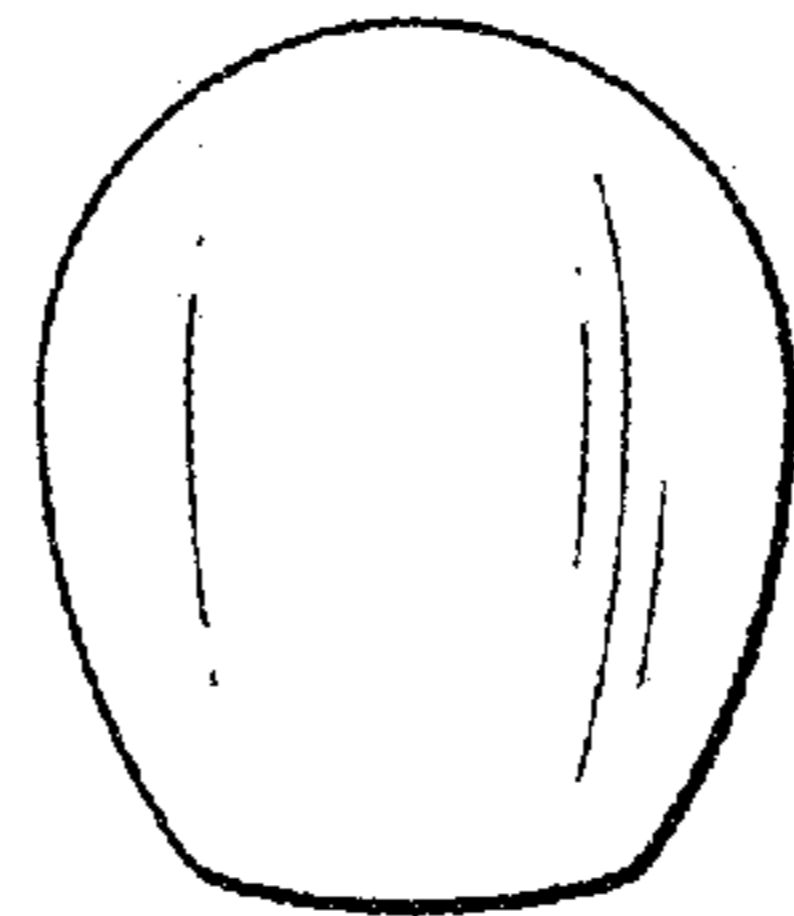


Fig. 5

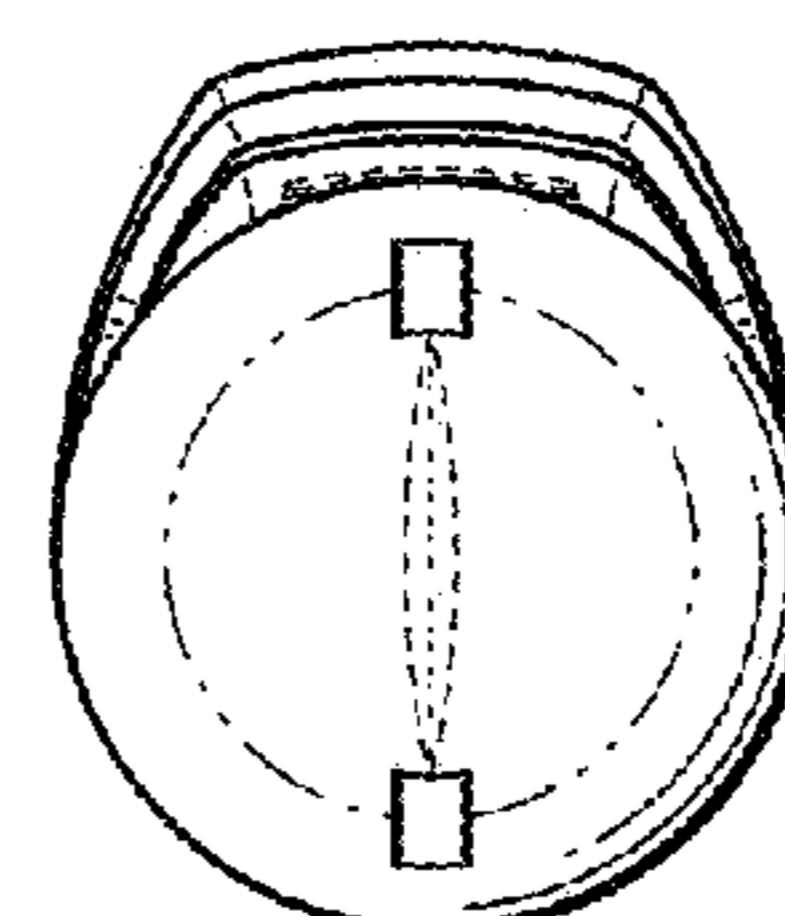


Fig. 6