



US00D692762S

(12) **United States Design Patent**
Walter et al.

(10) **Patent No.:** **US D692,762 S**
(45) **Date of Patent:** **** Nov. 5, 2013**

(54) **VIAL WITH CAP**

(75) Inventors: **Alexander Walter**, Pürgen (DE); **Özcan Dönmez**, Landsberg am Lech (DE); **Stefan Eckstein**, Munich (DE); **Dirk Lenz**, Munich (DE)

(73) Assignee: **3M Innovative Properties Company**, Saint Paul, MN (US)

(**) Term: **14 Years**

(21) Appl. No.: **29/399,995**

(22) Filed: **Aug. 22, 2011**

(30) **Foreign Application Priority Data**

Feb. 23, 2011 (EM) 001261879-0001

(51) **LOC (9) Cl.** **09-01**

(52) **U.S. Cl.**
USPC **D9/504**; D9/443; D9/575

(58) **Field of Classification Search**
USPC D9/500, 502-504, 516, 529, 549, 558, D9/435, 454, 443, 448, 575, 723, D9/727-728; D24/224; D28/4, 7, 76, 85, D28/88-89; 215/379, 381-382, 206, 224, 215/305, 318, 321; 220/660, 669, 675
See application file for complete search history.

(56) **References Cited**

U.S. PATENT DOCUMENTS

1,387,211 A	8/1921	Sweeny
D136,098 S	8/1943	Hartman
2,357,979 A	9/1944	Schmitt
D234,123 S	1/1975	Ragagali
4,600,125 A	7/1986	Maynard, Jr.

4,723,691 A	2/1988	Minkevitch	
D326,818 S	6/1992	Maquire	
D441,916 S *	5/2001	Faillant-Dumas	D28/88
D456,952 S *	5/2002	Sakurai et al.	D28/76
D504,818 S *	5/2005	Bakic	D9/449
D525,136 S *	7/2006	Bakic	D9/522
D531,504 S *	11/2006	Norris et al.	D9/449
D547,184 S *	7/2007	Kim et al.	D9/449
D574,712 S *	8/2008	Bakic	D9/522
D598,749 S	8/2009	Maxwell	
D622,149 S	8/2010	Bernstein	
D638,299 S	5/2011	Bernstein	
D656,403 S	3/2012	Bernstein	

* cited by examiner

Primary Examiner — Terry Wallace
Assistant Examiner — Dana L Meyrow

(74) *Attorney, Agent, or Firm* — Qiang Han; 3M Innovative Properties Company

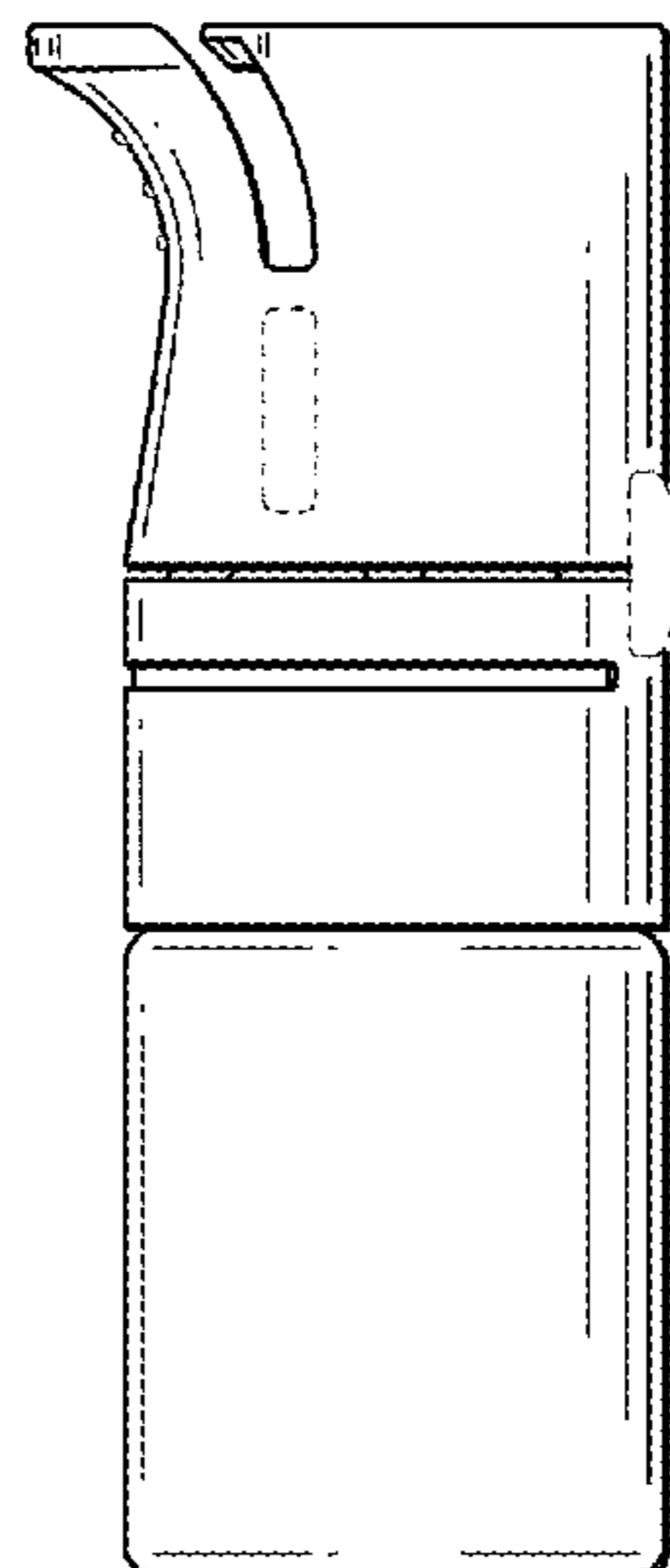
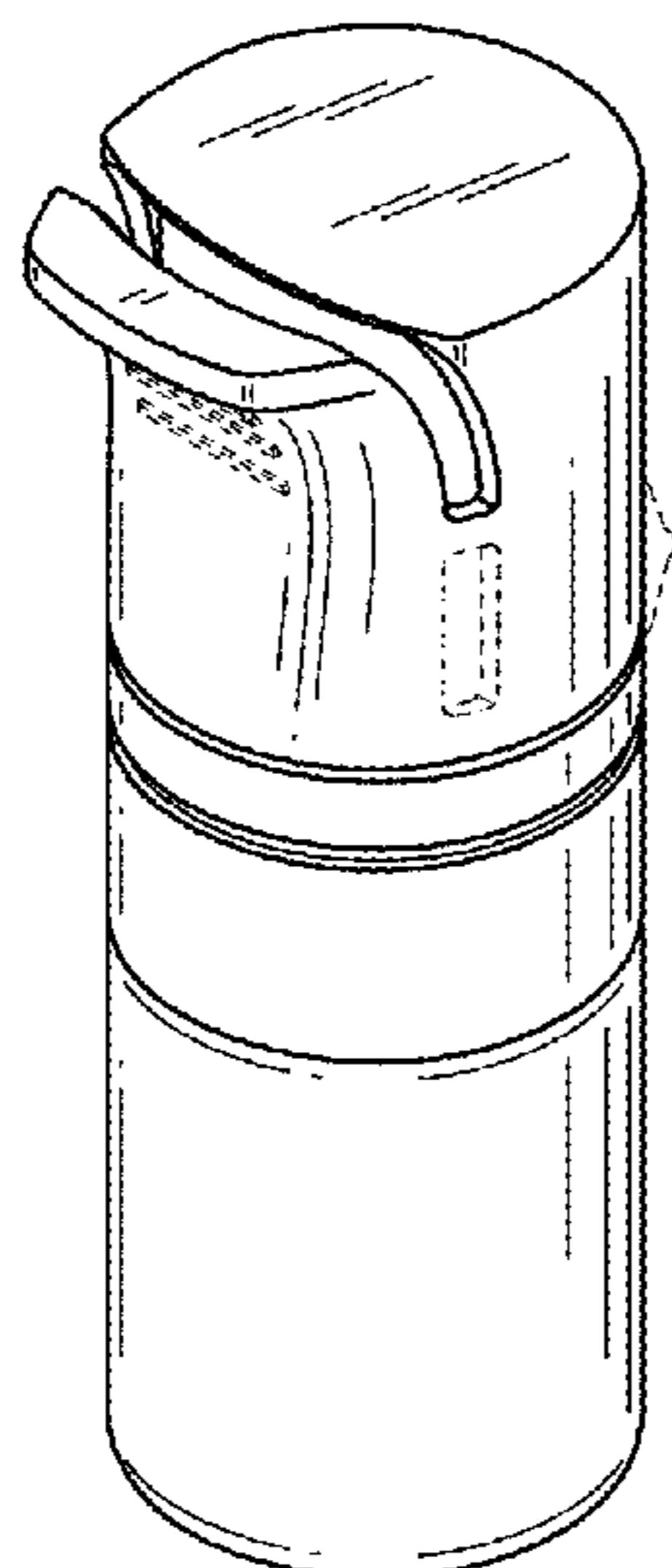
(57) **CLAIM**

The ornamental design for a vial with cap, as shown and described.

DESCRIPTION

FIG. 1 is a perspective view showing the new design for a vial with cap.
FIG. 2 is a front view thereof;
FIG. 3 is a back view thereof;
FIG. 4 is a side view thereof;
FIG. 5 is a top view thereof; and,
FIG. 6 is a bottom view thereof.
The evenly dashed broken lines in the drawings illustrate the portions of the design that form no part of the claim. The dot-dot-dash broken line in the FIG. 6 bottom plan view defines the bounds of the claim and forms no part thereof.

1 Claim, 1 Drawing Sheet



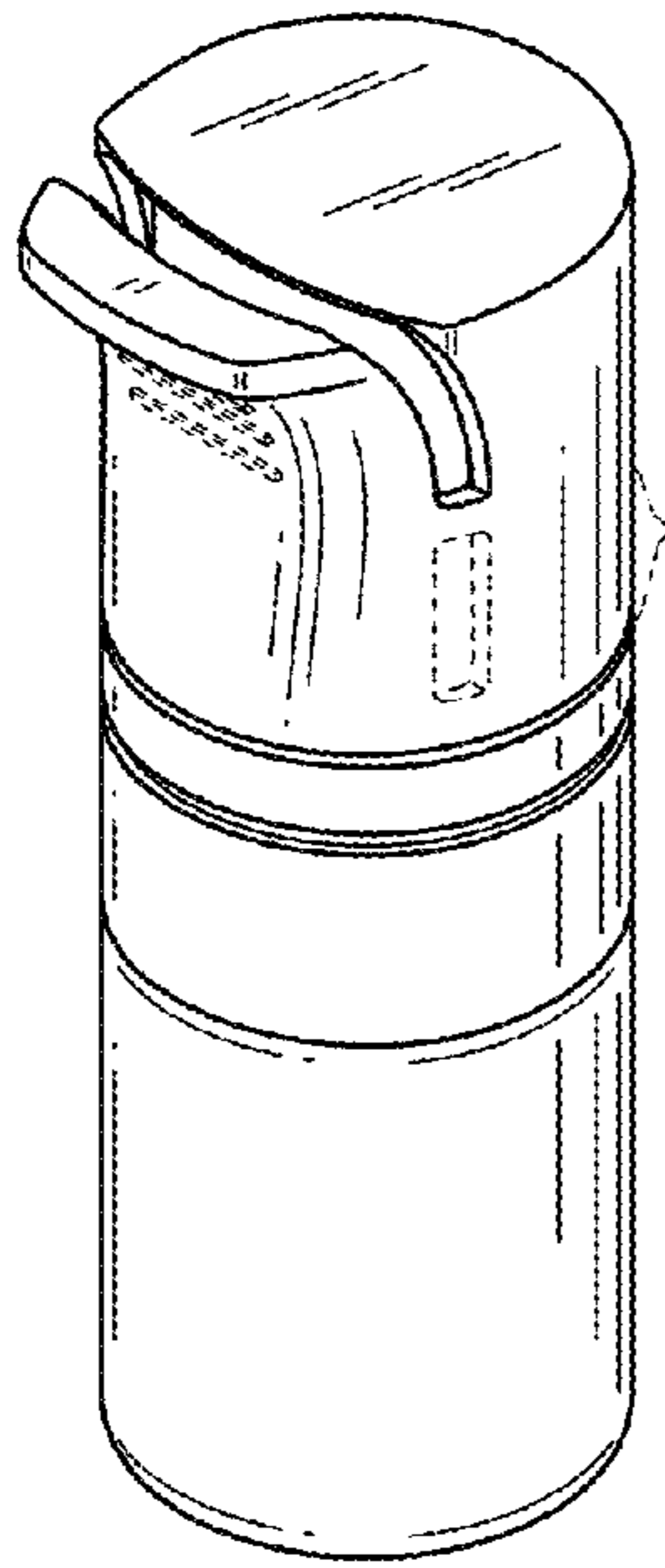


Fig. 1

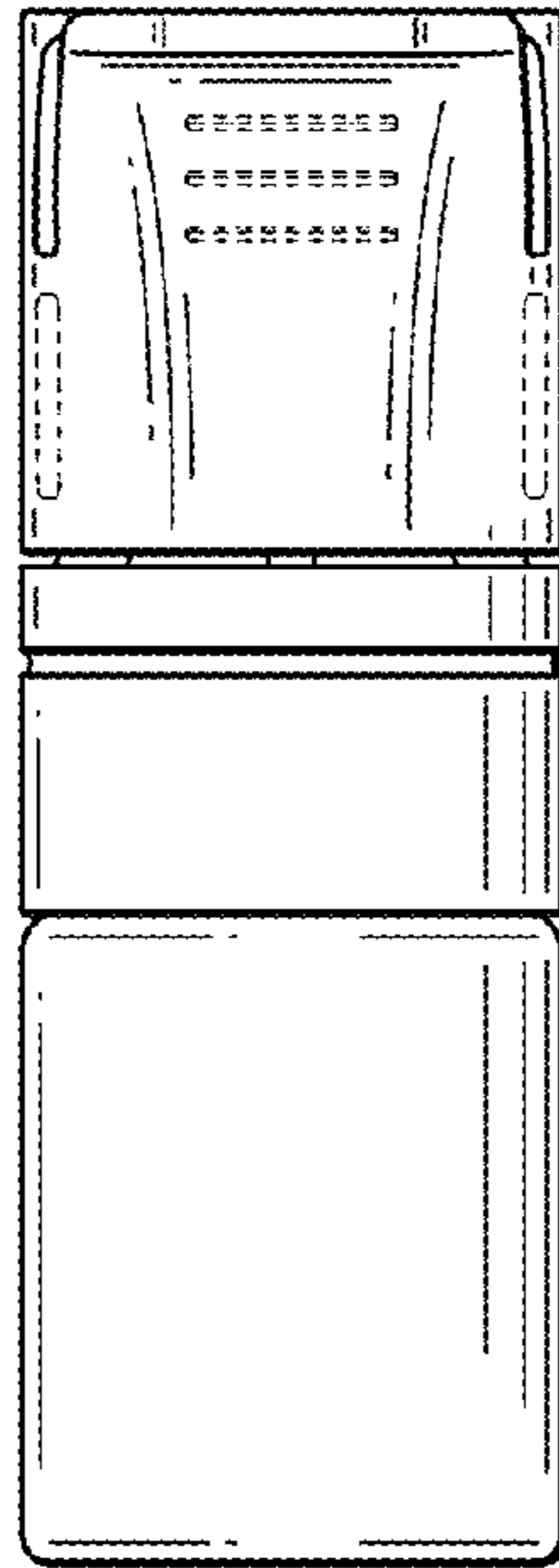


Fig. 2

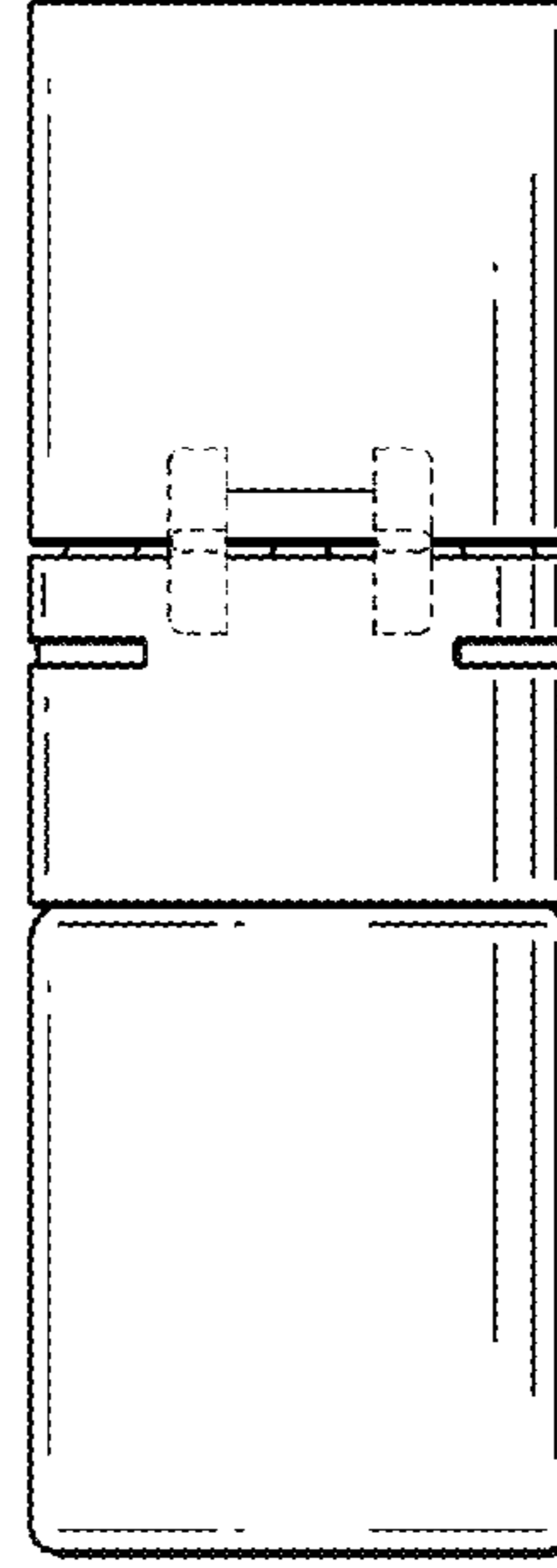


Fig. 3

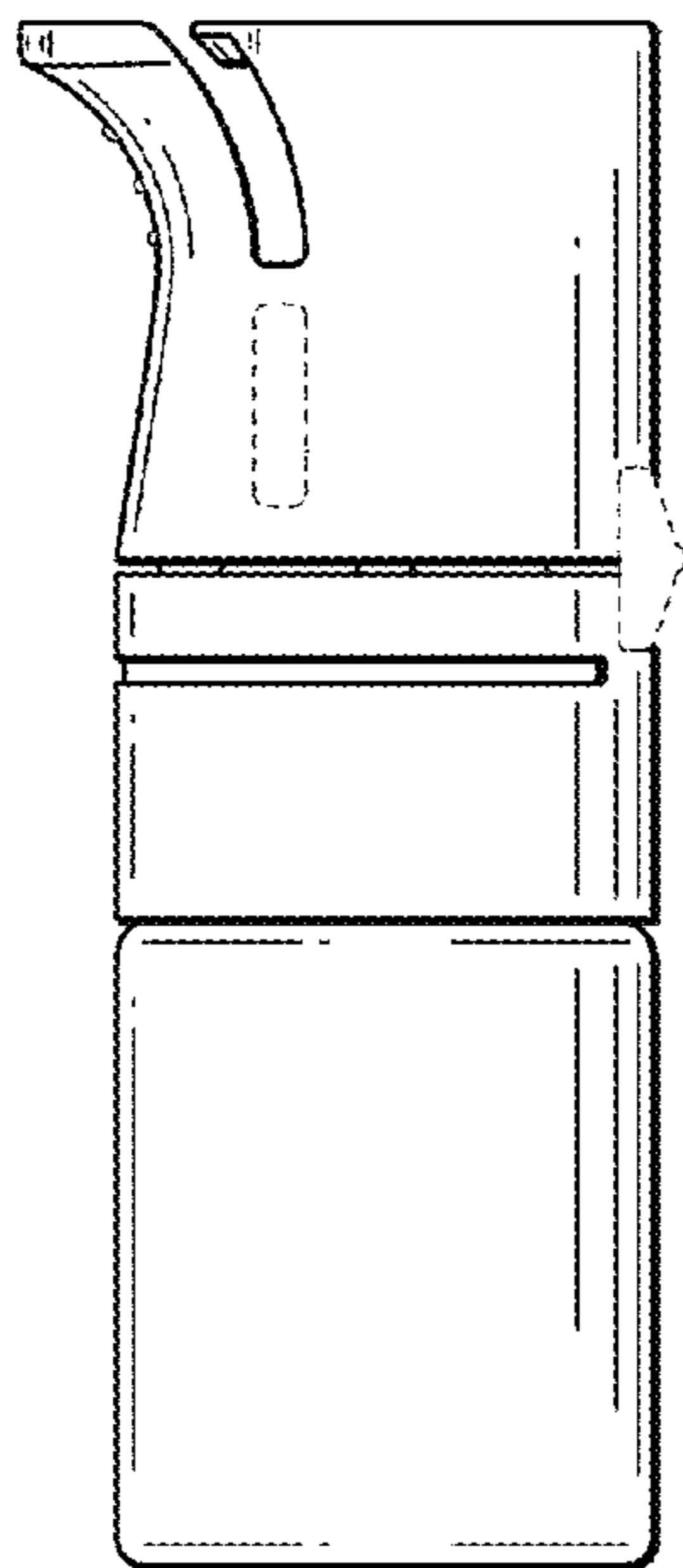


Fig. 4

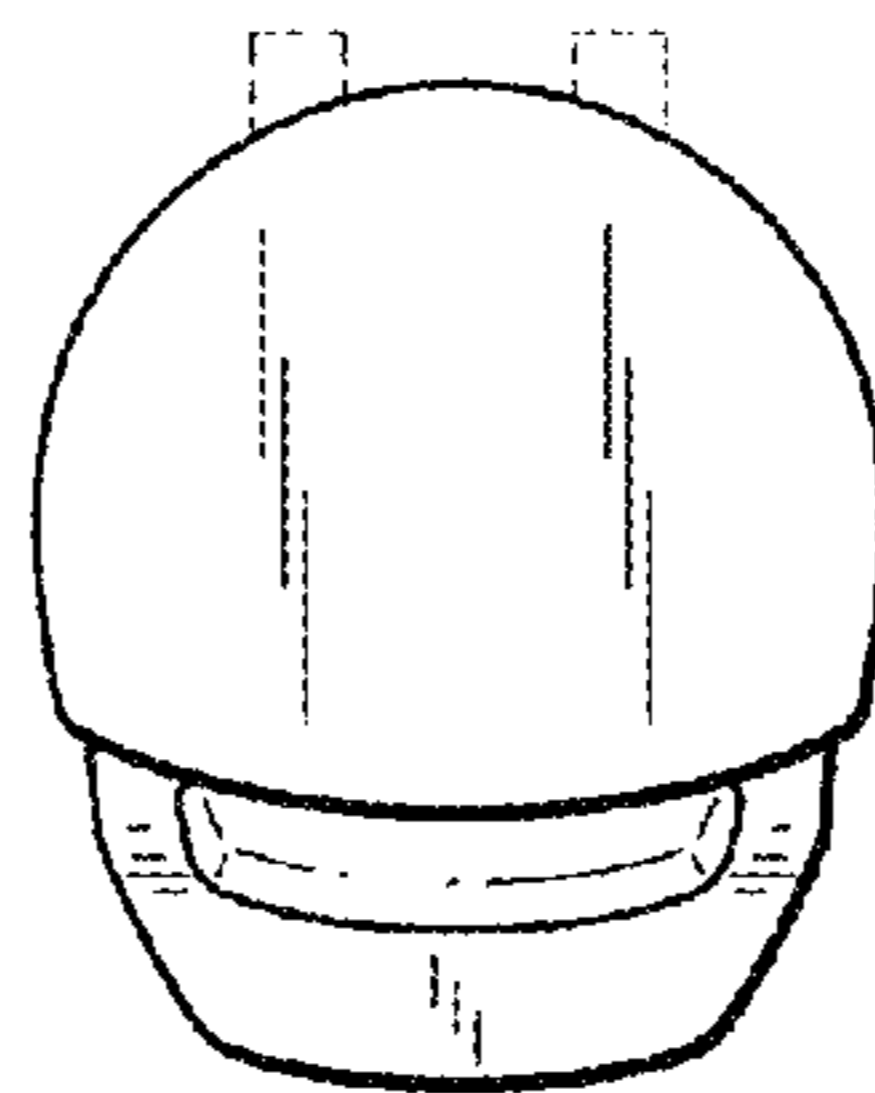


Fig. 5

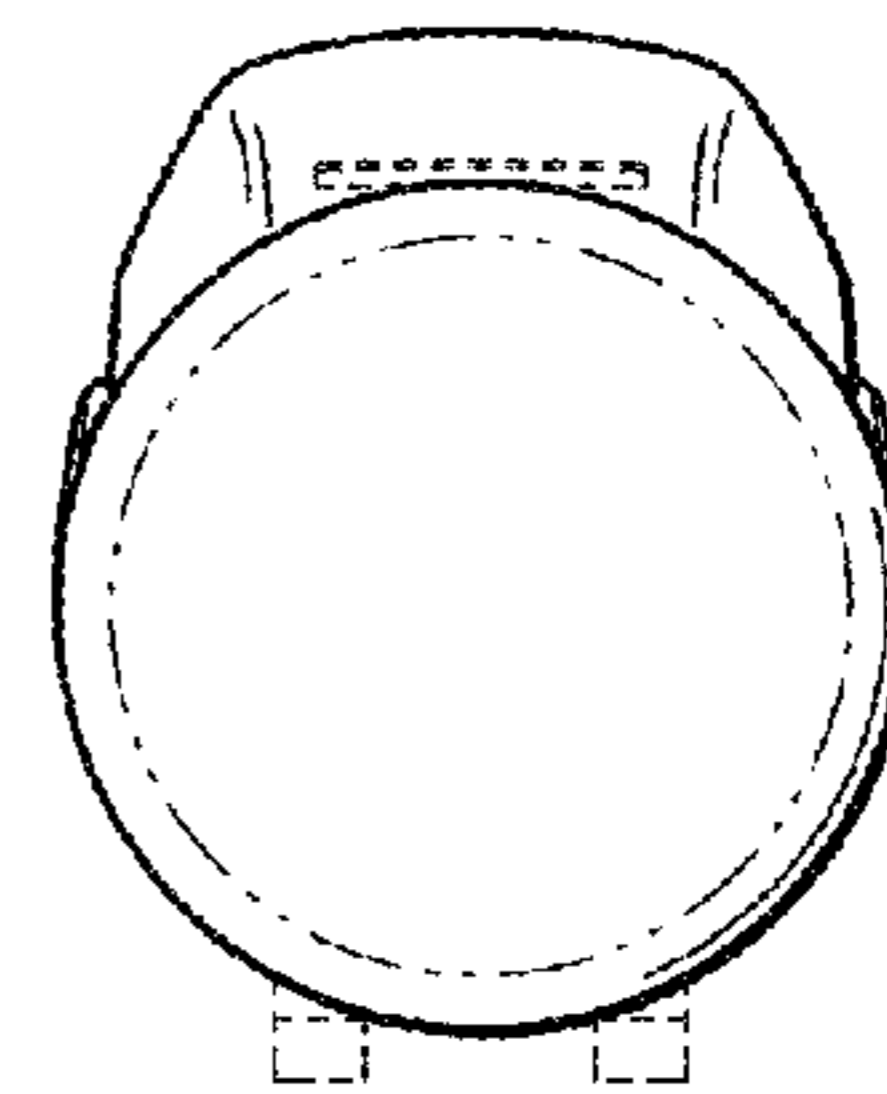


Fig. 6