

US00D692760S

(12) **United States Design Patent**  
**Rapparini**

(10) **Patent No.:** **US D692,760 S**  
(45) **Date of Patent:** **\*\* Nov. 5, 2013**

(54) **REINFORCED-RING CONTAINER FOR BEVERAGE-MAKING PRODUCTS**

D651,865 S \* 1/2012 Smyers ..... D7/630  
D652,266 S \* 1/2012 Smyers ..... D7/630  
2007/0148290 A1 6/2007 Ternite et al.

(76) Inventor: **Gino Rapparini**, Bologna (IT)

**FOREIGN PATENT DOCUMENTS**

(\*\*) Term: **14 Years**

CA 2734843 2/2010  
EP 0524464 1/1993  
EP 1792850 6/2007  
FR 1543608 10/1968

(21) Appl. No.: **29/419,554**

(22) Filed: **Apr. 30, 2012**

**OTHER PUBLICATIONS**

**Related U.S. Application Data**

International Search Report for PCT/IB2011/001273, date of mailing Oct. 21, 2011, 2 pgs.  
International Search Report for PCT/IB2011/001278, date of mailing Oct. 20, 2011, 2 pgs.

(63) Continuation-in-part of application No. 13/066,133, filed on Apr. 7, 2011.

(51) **LOC (9) Cl.** ..... **09-01**

\* cited by examiner

(52) **U.S. Cl.**

*Primary Examiner* — Wan Laymon

USPC ..... **D9/500**; D9/425

(74) *Attorney, Agent, or Firm* — Brinks Hofer Gilson & Lione

(58) **Field of Classification Search**

USPC ..... D9/500, 502–504, 537, 539, 549, 558, D9/574–575, 414, 424–425, 428; D7/542, D7/545, 586–587, 601–602, 619.1, D7/629–630; 215/379, 382, 400; 220/660, 220/669, 675

(57) **CLAIM**

I claim the ornamental design for a reinforced-ring container for beverage making-products, as shown and described.

See application file for complete search history.

**DESCRIPTION**

(56) **References Cited**

FIG. 1 is a bottom perspective view of a reinforced-ring container for beverage making-products of the present invention;

**U.S. PATENT DOCUMENTS**

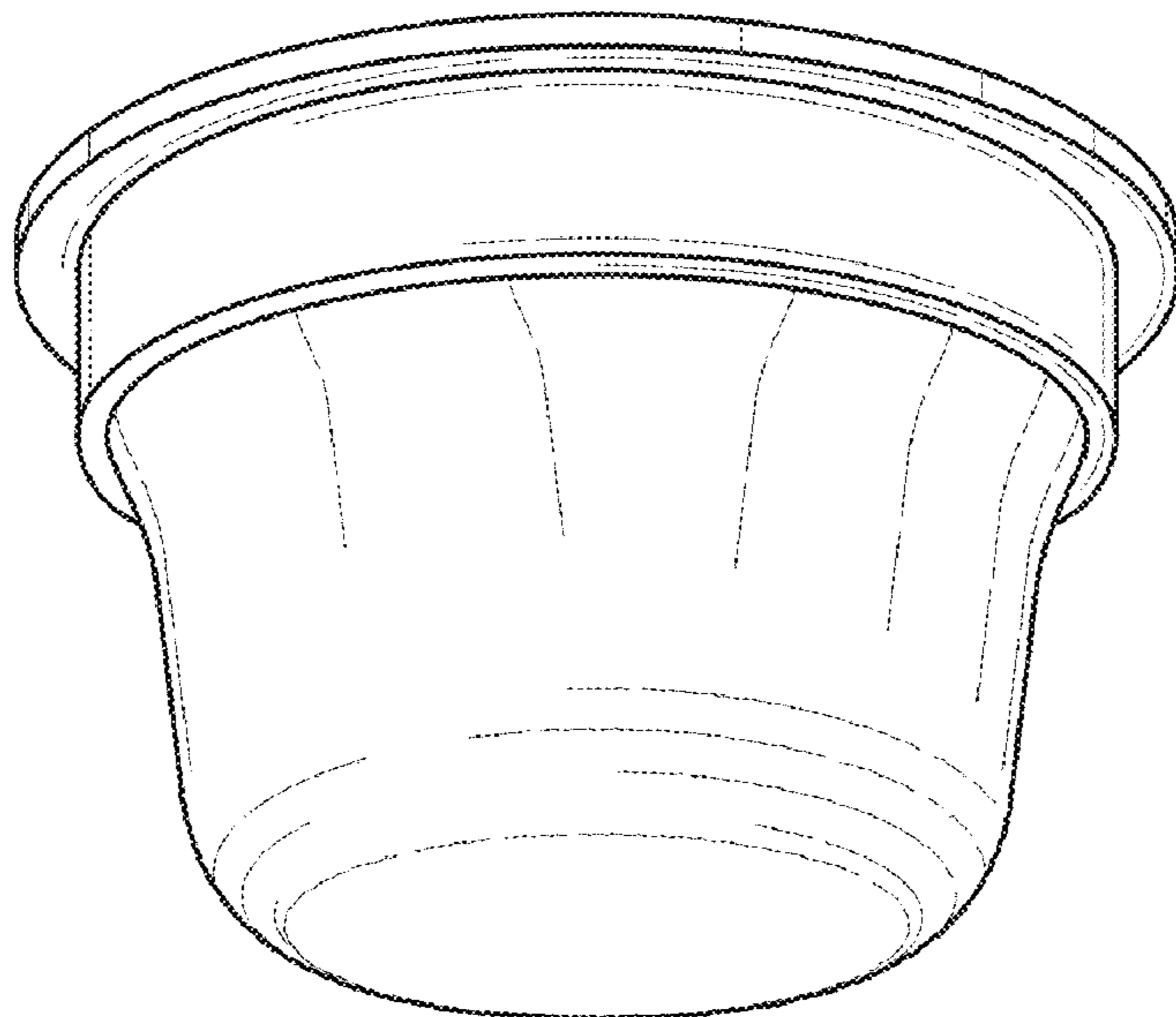
D288,063 S \* 2/1987 Tyler ..... D9/425  
D383,646 S \* 9/1997 Jeppesen et al. .... D7/545  
6,431,389 B1 \* 8/2002 Jerstroem et al. .... 220/574.3  
D502,362 S 3/2005 Lazaris et al.  
D606,363 S \* 12/2009 Aardenburg ..... D7/584  
D606,404 S \* 12/2009 Diss ..... D9/500  
D612,732 S \* 3/2010 Takata et al. .... D9/500  
D647,397 S \* 10/2011 Inaba ..... D9/428

FIG. 2 is a side elevation view thereof, with all other side views being the same; and,

FIG. 3 is a bottom plan view thereof.

The ornamental design which is claimed is shown in solid lines in the drawings. The top is not shown, as it forms no part of the claimed design.

**1 Claim, 1 Drawing Sheet**



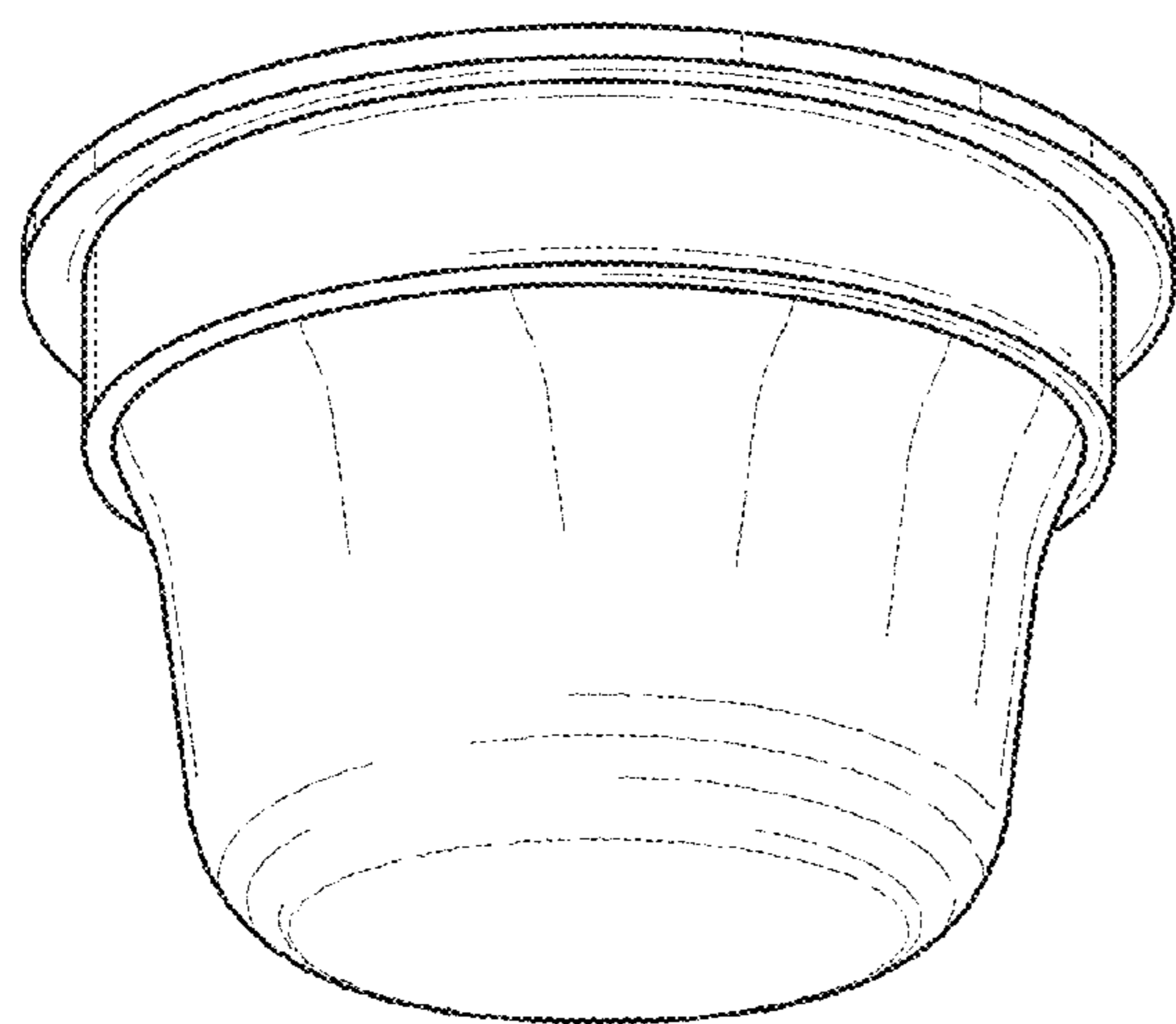


FIG. 1

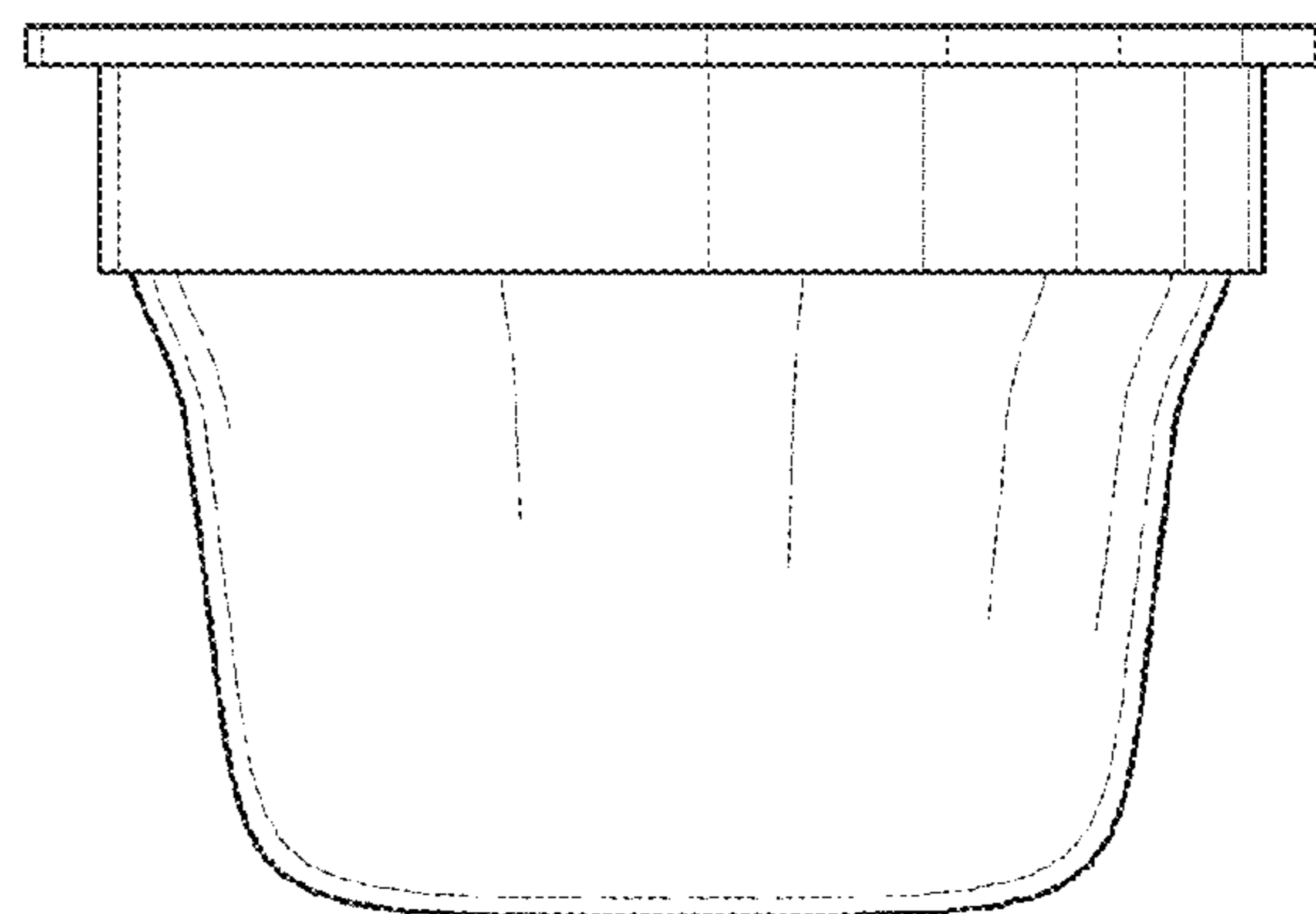


FIG. 2

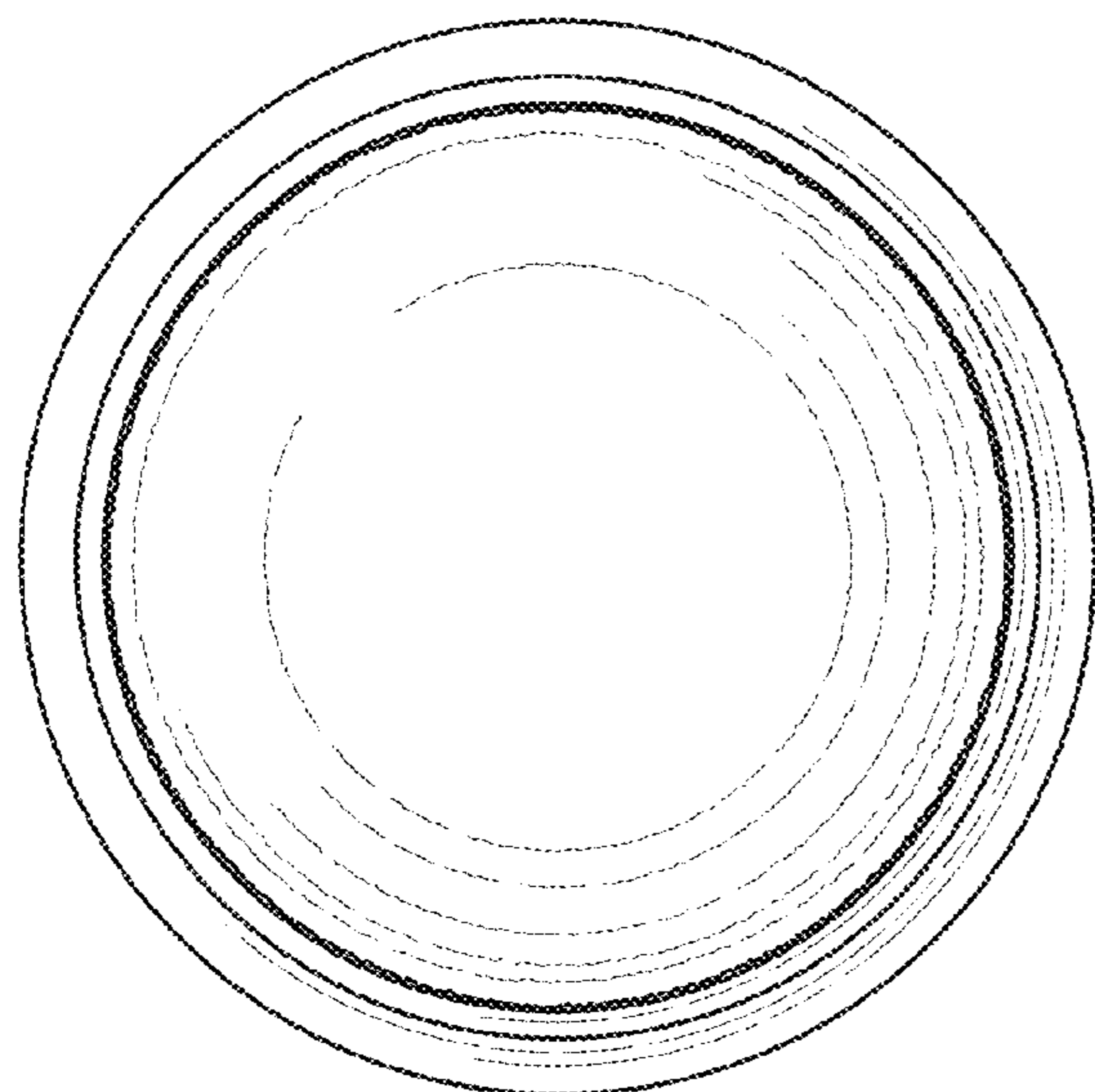


FIG. 3