

US00D692757S

(12) **United States Design Patent**  
**Concin et al.**

(10) **Patent No.:** **US D692,757 S**  
(45) **Date of Patent:** **\*\* Nov. 5, 2013**

- (54) **CONTAINER CAP**
- (71) Applicant: **Red Bull GmbH**, Fuschl am See (AT)
- (72) Inventors: **Roland Concin**, Stallehr (AT); **Matthias Rinderer**, Fuschl (AT)
- (73) Assignee: **Red Bull GmbH**, Fuschl am See (AT)
- (\*\*) Term: **14 Years**
- (21) Appl. No.: **29/449,883**
- (22) Filed: **Mar. 15, 2013**

- D247,351 S 2/1978 Barthropp
- D279,803 S \* 7/1985 Manning ..... D21/443
- D415,684 S \* 10/1999 Reidenbach ..... D9/453
- D443,513 S \* 6/2001 Goettner ..... D9/452
- D512,914 S 12/2005 Moretti
- D542,656 S \* 5/2007 Szczesniak ..... D9/453
- D584,149 S 1/2009 Lohrman
- D584,152 S 1/2009 VerWeyst
- D606,401 S 12/2009 Kamath
- D608,499 S 1/2010 Hodgson
- D613,162 S \* 4/2010 Druitt ..... D9/453
- D619,003 S 7/2010 Benoit-Gonin
- D619,456 S 7/2010 Walters
- D634,200 S 3/2011 Taber
- D637,081 S 5/2011 Collins
- D638,707 S 5/2011 Stoffers
- D682,107 S 5/2013 Ramsey

**Related U.S. Application Data**

- (62) Division of application No. 29/408,996, filed on Dec. 19, 2011, now Pat. No. Des. 684,470.
- (51) **LOC (9) Cl.** ..... **09-07**
- (52) **U.S. Cl.**  
USPC ..... **D9/453**
- (58) **Field of Classification Search**  
USPC ..... D9/455, 454, 453, 444, 440, 435, 434;  
D7/396.2; 222/490; 220/903, 739, 200;  
215/200, 252, 254, 340  
See application file for complete search history.

\* cited by examiner

*Primary Examiner* — Susan Bennett Hattan  
(74) *Attorney, Agent, or Firm* — Christensen O'Connor Johnson Kindness PLLC

(57) **CLAIM**

The ornamental design for a container cap, as shown and described.

**DESCRIPTION**

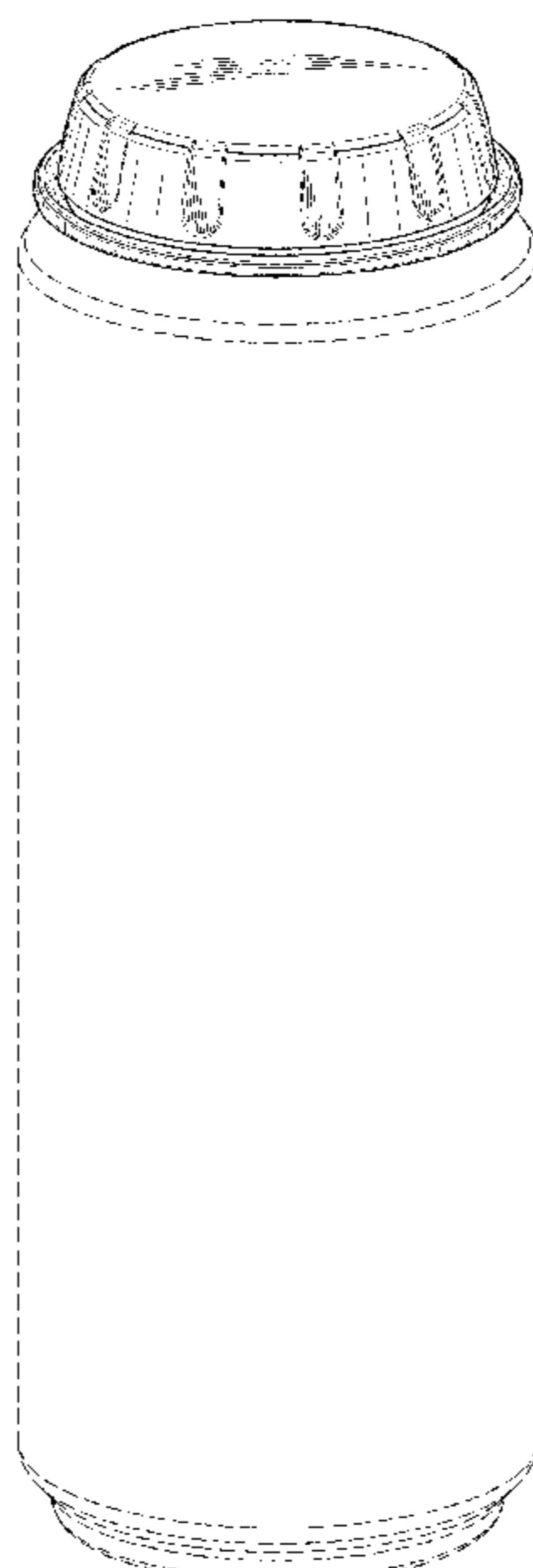
FIG. 1 is an upper front perspective view of a container cap showing our new design;  
FIG. 2 is an enlarged upper front perspective view thereof;  
FIG. 3 is an enlarged lower front perspective view thereof;  
FIG. 4 is an enlarged front elevation view thereof, with the rear, right side, and left side elevation views being a minor image of the front elevation view; and,  
FIG. 5 is an enlarged top plan view thereof.  
The broken lines shown in the drawings illustrate environmental subject matter and form no part of the claimed design.

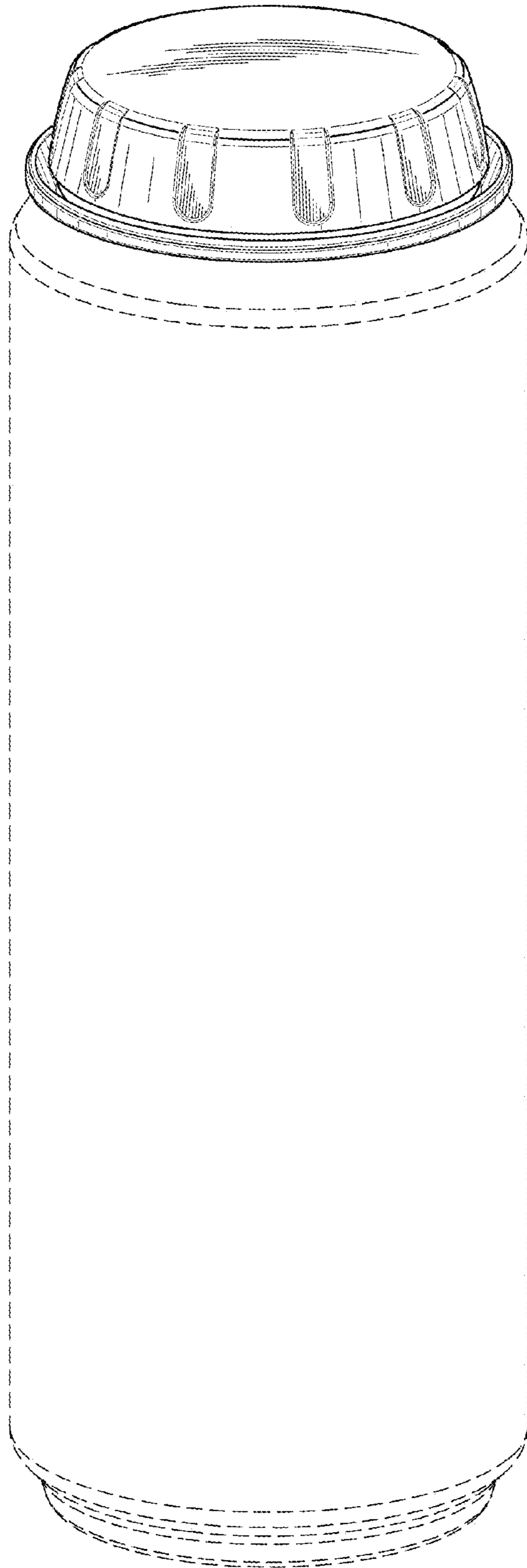
(56) **References Cited**

U.S. PATENT DOCUMENTS

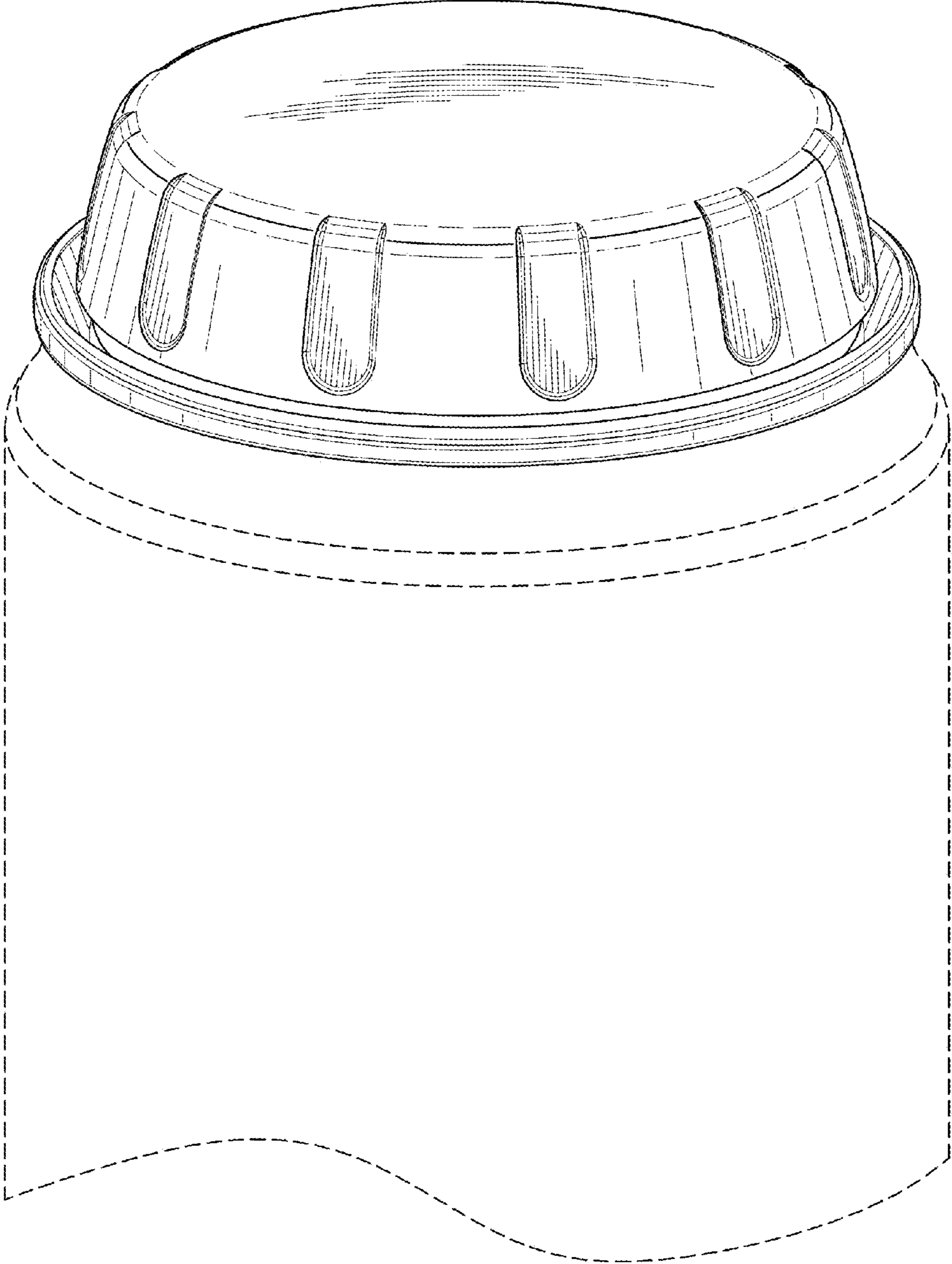
- 1,374,389 A 4/1921 Reichenbach
- D97,205 S \* 10/1935 Peck ..... D9/453
- D99,096 S \* 3/1936 Perry ..... D9/453
- D99,097 S \* 3/1936 Perry ..... D9/453
- D100,515 S \* 7/1936 Fleisch ..... D9/453
- D100,989 S \* 8/1936 Crowther ..... D9/453
- D101,623 S \* 10/1936 Fleisch ..... D9/453
- D183,146 S \* 7/1958 Fleisch ..... D25/135
- D193,742 S \* 10/1962 Savin ..... D9/453

**1 Claim, 5 Drawing Sheets**

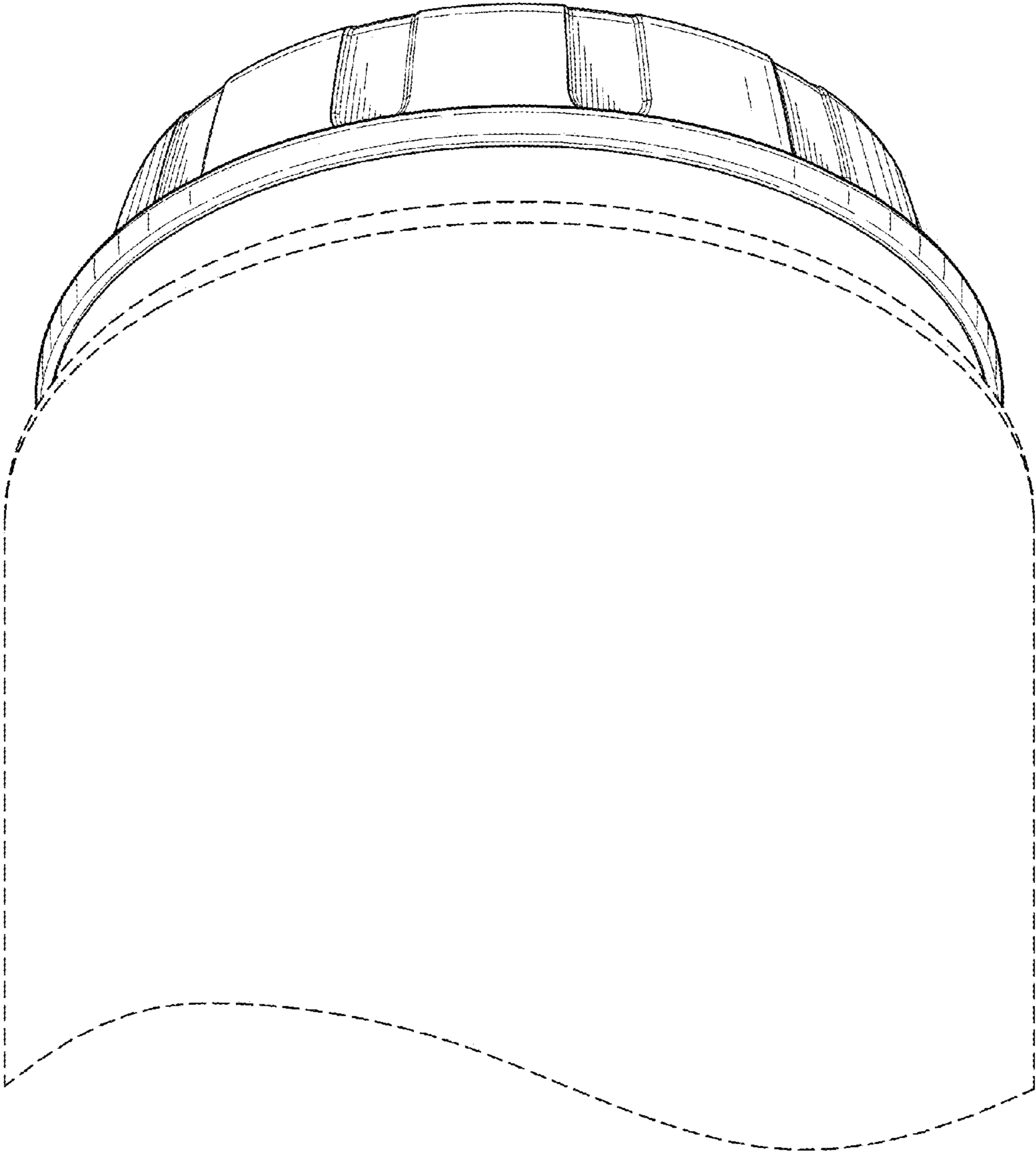




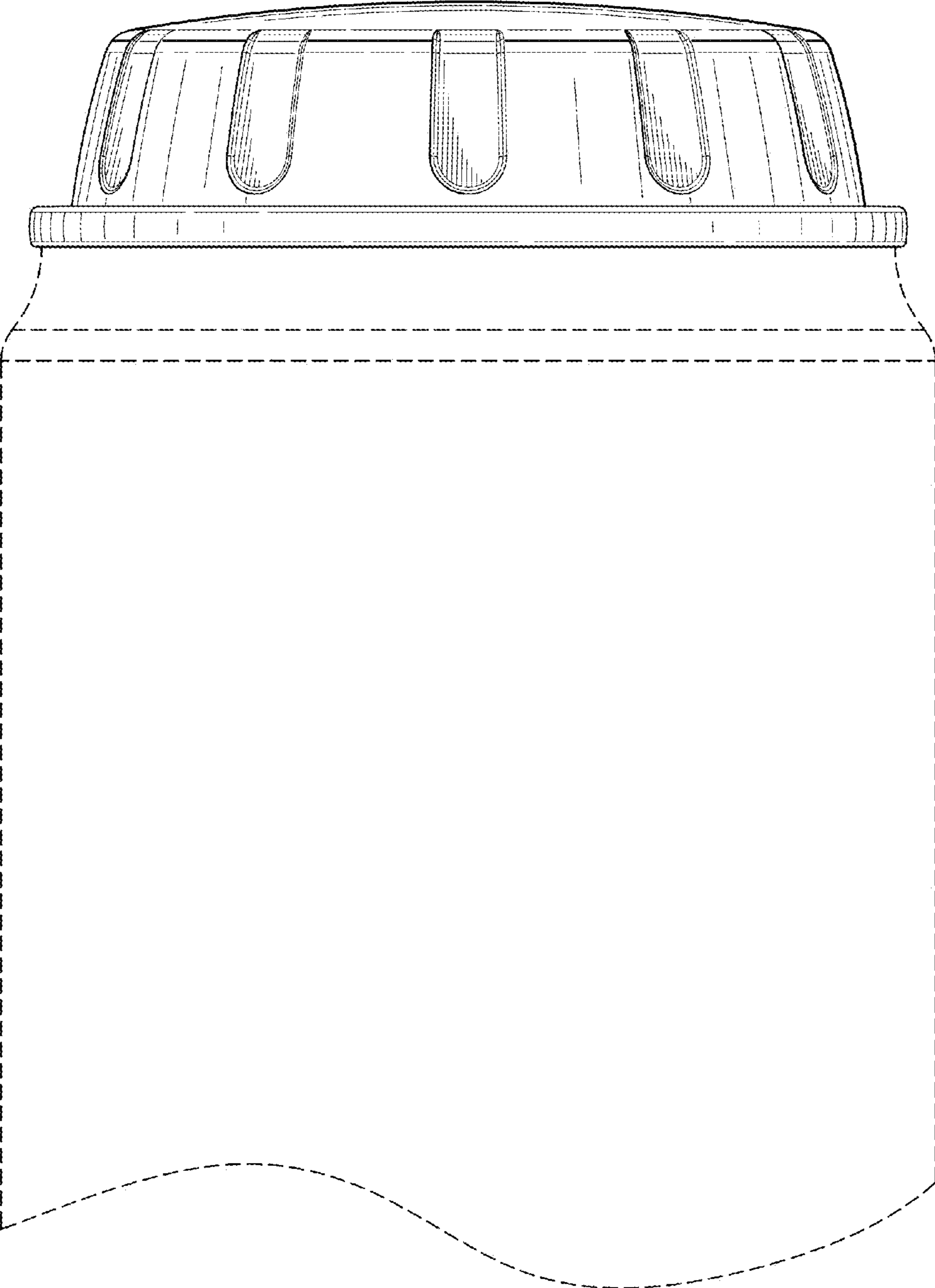
*Fig. 1.*



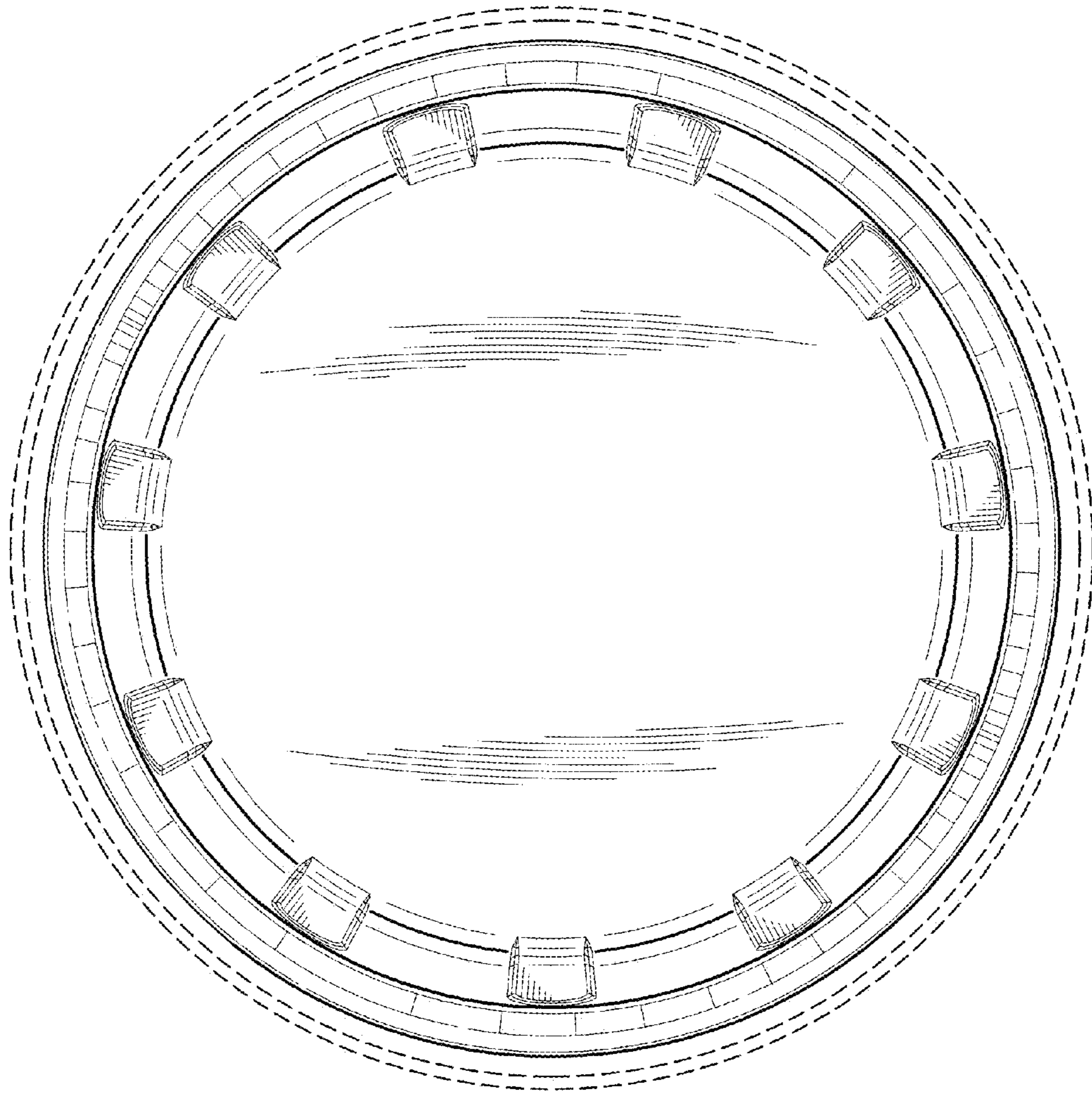
*Fig. 2.*



*Fig. 3.*



*Fig. 4.*



*Fig. 5.*

UNITED STATES PATENT AND TRADEMARK OFFICE  
**CERTIFICATE OF CORRECTION**

PATENT NO. : D692,757 S  
APPLICATION NO. : 29/449883  
DATED : November 5, 2013  
INVENTOR(S) : R. Concin et al.

Page 1 of 1

It is certified that error appears in the above-identified patent and that said Letters Patent is hereby corrected as shown below:

On the Title Page

<u>COLUMN</u>	<u>LINE</u>	<u>ERROR</u>
Item (57) Pg. 1, col. 2	Description 6 of text	“being a minor” should read --being a mirror--

Signed and Sealed this  
Twentieth Day of May, 2014



Michelle K. Lee  
*Deputy Director of the United States Patent and Trademark Office*