



US00D692756S

(12) **United States Design Patent**  
**McClellan et al.**

(10) **Patent No.:** **US D692,756 S**

(45) **Date of Patent:** **\*\* Nov. 5, 2013**

(54) **CONTAINER LID**

(75) Inventors: **Ruth McClellan**, Pittsfield, PA (US);  
**Brad Bielawski**, Warren, PA (US);  
**Kevin Blaine Hoover**, Pittsfield, PA  
(US); **Robert Sokolski**, Warren, PA (US)

(73) Assignee: **Whirley Industries, Inc.**, Warren, PA  
(US)

(\*\*) Term: **14 Years**

(21) Appl. No.: **29/403,278**

(22) Filed: **Oct. 4, 2011**

(51) **LOC (9) Cl.** ..... **09-07**

(52) **U.S. Cl.**  
USPC ..... **D9/447; D9/449**

(58) **Field of Classification Search**  
USPC ..... D9/449, 447, 438, 435, 434; D7/510,  
D7/511, 396.2, 392.1; 229/906.1; 220/812,  
220/713, 268, 254.9, 254.3, 253  
See application file for complete search history.

(56) **References Cited**

**U.S. PATENT DOCUMENTS**

4,760,934	A *	8/1988	Netsch	.....	220/269
5,148,936	A	9/1992	DeGrow		
5,415,312	A	5/1995	Mueller		
5,839,601	A	11/1998	Van Melle		
5,938,056	A	8/1999	Ma		
6,089,397	A	7/2000	Van Melle		
6,095,033	A	8/2000	Melton		
6,220,470	B1	4/2001	McHenry et al.		
6,439,442	B1 *	8/2002	Markert et al.	.....	222/547
D480,968	S	10/2003	Atkins et al.		
6,644,490	B2	11/2003	Clarke		
D485,759	S *	1/2004	Janky et al.	.....	D9/449
6,679,397	B2	1/2004	Smith et al.		
6,702,137	B1	3/2004	Kowa et al.		

(Continued)

*Primary Examiner* — Susan Bennett Hattan

(74) *Attorney, Agent, or Firm* — Buchanan Ingersoll & Rooney PC

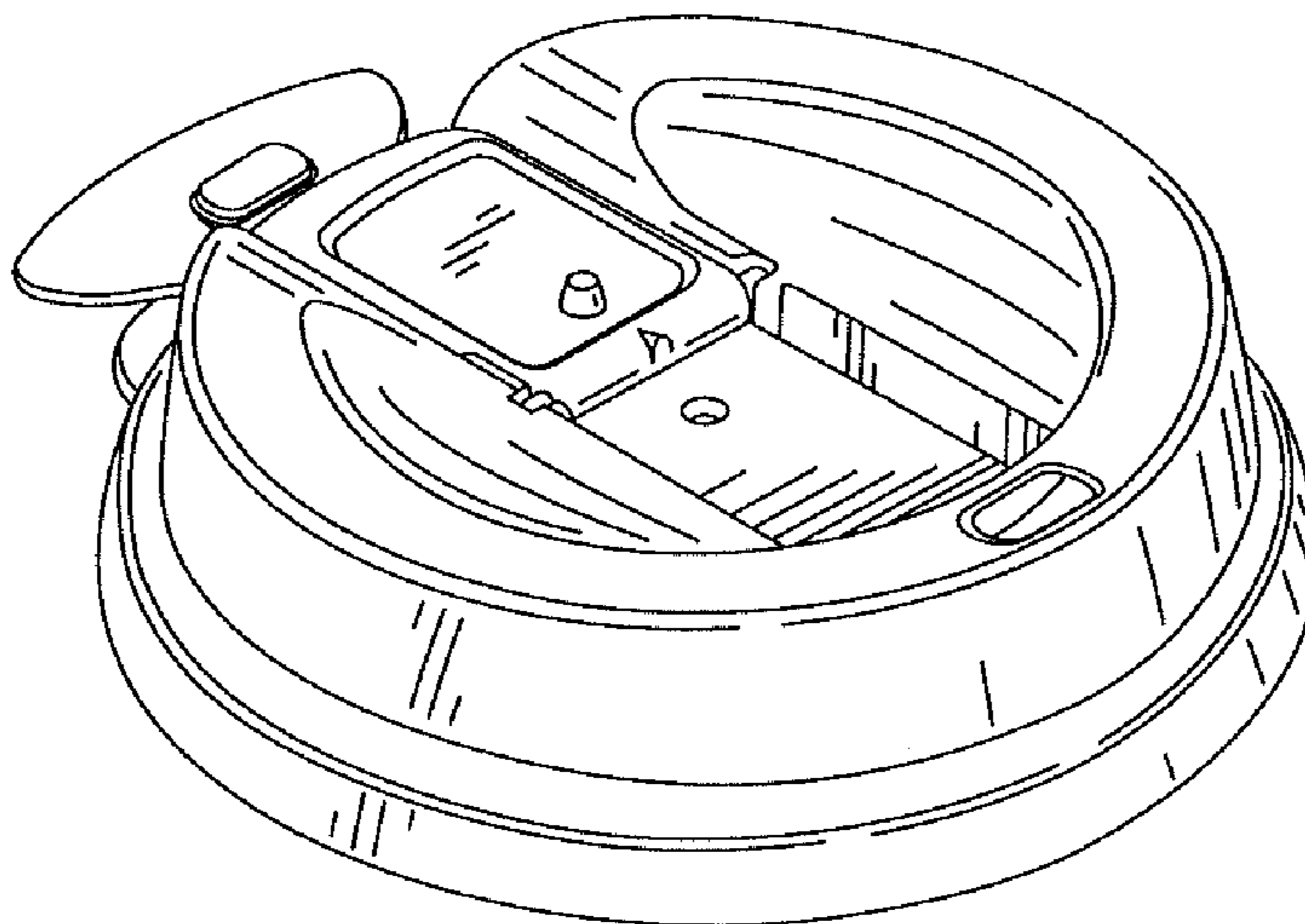
(57) **CLAIM**

The ornamental design for a container lid, as shown and described.

**DESCRIPTION**

FIG. 1 is a front perspective view of a container lid showing our new design, with a movable flip tab in the open position; FIG. 2 is rear a perspective view thereof, with the movable flip tab in the open position; FIG. 3 is a top view thereof, with the movable flip tab in the open position; FIG. 4 is bottom view thereof, with the movable flip tab in the open position; FIG. 5 is a rear view thereof, with the movable flip tab in the open position; FIG. 6 is a front view thereof, with the movable flip tab in the open position; FIG. 7 is a side view thereof, with the movable flip tab in the open position and the opposite side view being a mirror image thereof; FIG. 8 is a front perspective view thereof, with the movable flip tab in the closed position; FIG. 9 is a rear perspective view thereof, with the movable flip tab in the closed position; FIG. 10 is a top view thereof, with the movable flip tab in the closed position; FIG. 11 is a bottom view thereof, with the movable flip tab in the closed position; FIG. 12 is a rear view thereof, with the movable flip tab in the closed position; FIG. 13 is a front view thereof, with the movable flip tab in the closed position; and, FIG. 14 is a side view thereof, with the movable flip tab in the closed position, and with the opposite side being a mirror image thereof.

**1 Claim, 6 Drawing Sheets**



(56)

**References Cited**

U.S. PATENT DOCUMENTS

6,783,019 B2 8/2004 Zettle et al.  
 D503,539 S \* 4/2005 Tani ..... D4/114  
 6,886,707 B2 5/2005 Giraud  
 7,011,227 B2 3/2006 Ward et al.  
 D530,607 S \* 10/2006 Cornet et al. .... D9/445  
 7,131,551 B2 11/2006 Smith  
 7,134,566 B2 11/2006 Smith et al.  
 D533,779 S \* 12/2006 Schmidtner et al. .... D9/449  
 7,195,137 B2 3/2007 Belcastro  
 D544,212 S \* 6/2007 Hsieh ..... D4/114  
 D553,983 S \* 10/2007 Bunce et al. .... D9/454  
 D555,000 S \* 11/2007 Bunce et al. .... D9/529  
 D570,686 S 6/2008 Hollis et al.

D573,019 S \* 7/2008 Spencer ..... D9/445  
 D610,021 S \* 2/2010 Kinoshita et al. .... D9/686  
 7,789,260 B2 9/2010 Hollis et al.  
 7,819,271 B2 10/2010 Hollis et al.  
 D643,245 S \* 8/2011 Minarsch ..... D7/392.1  
 D644,060 S \* 8/2011 Komeiji ..... D7/392.1  
 D646,164 S \* 10/2011 Mongeon et al. .... D9/445  
 D647,753 S \* 11/2011 Lin ..... D7/392.1  
 D654,792 S \* 2/2012 Bertelsen ..... D9/436  
 D660,694 S \* 5/2012 Mongeon et al. .... D9/445  
 D675,832 S \* 2/2013 Kudo ..... D4/136  
 2006/0043091 A1 3/2006 Pinelli et al.  
 2008/0054005 A1 \* 3/2008 Cai ..... 220/711  
 2009/0057324 A1 3/2009 Wang Wu  
 2009/0236373 A1 9/2009 Laib et al.  
 2009/0266828 A1 \* 10/2009 Cai et al. .... 220/712

\* cited by examiner

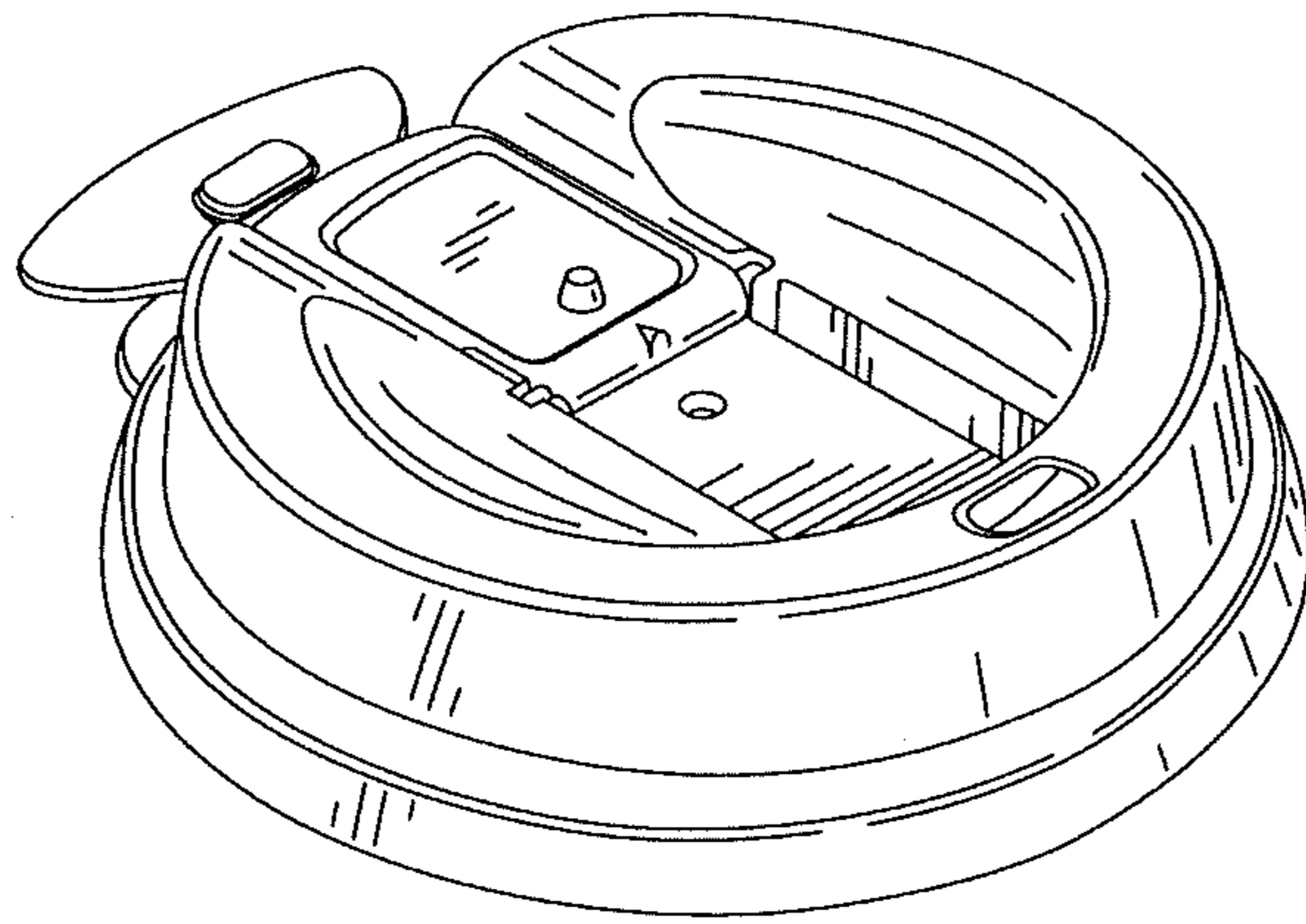


Fig. 1

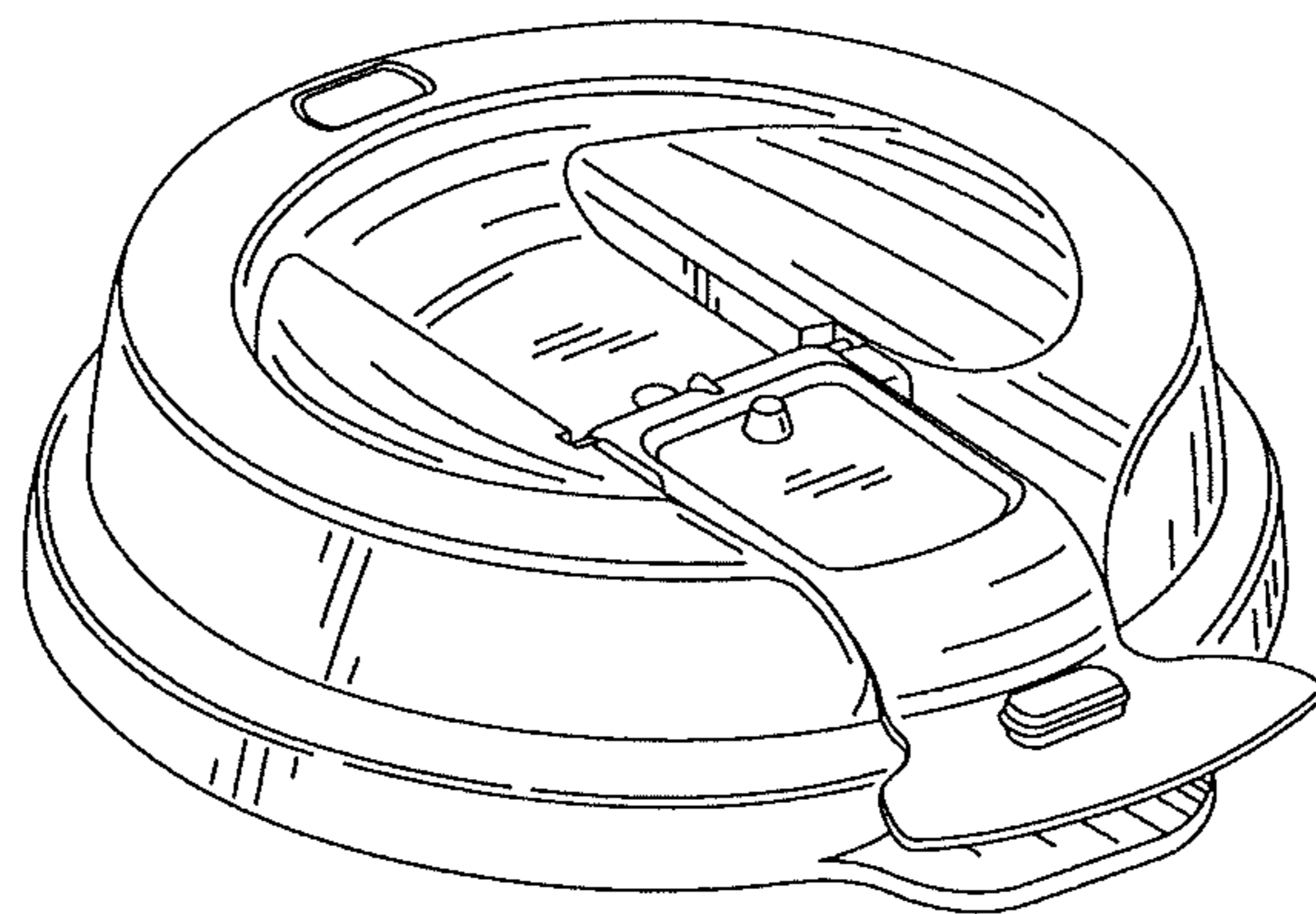


Fig. 2

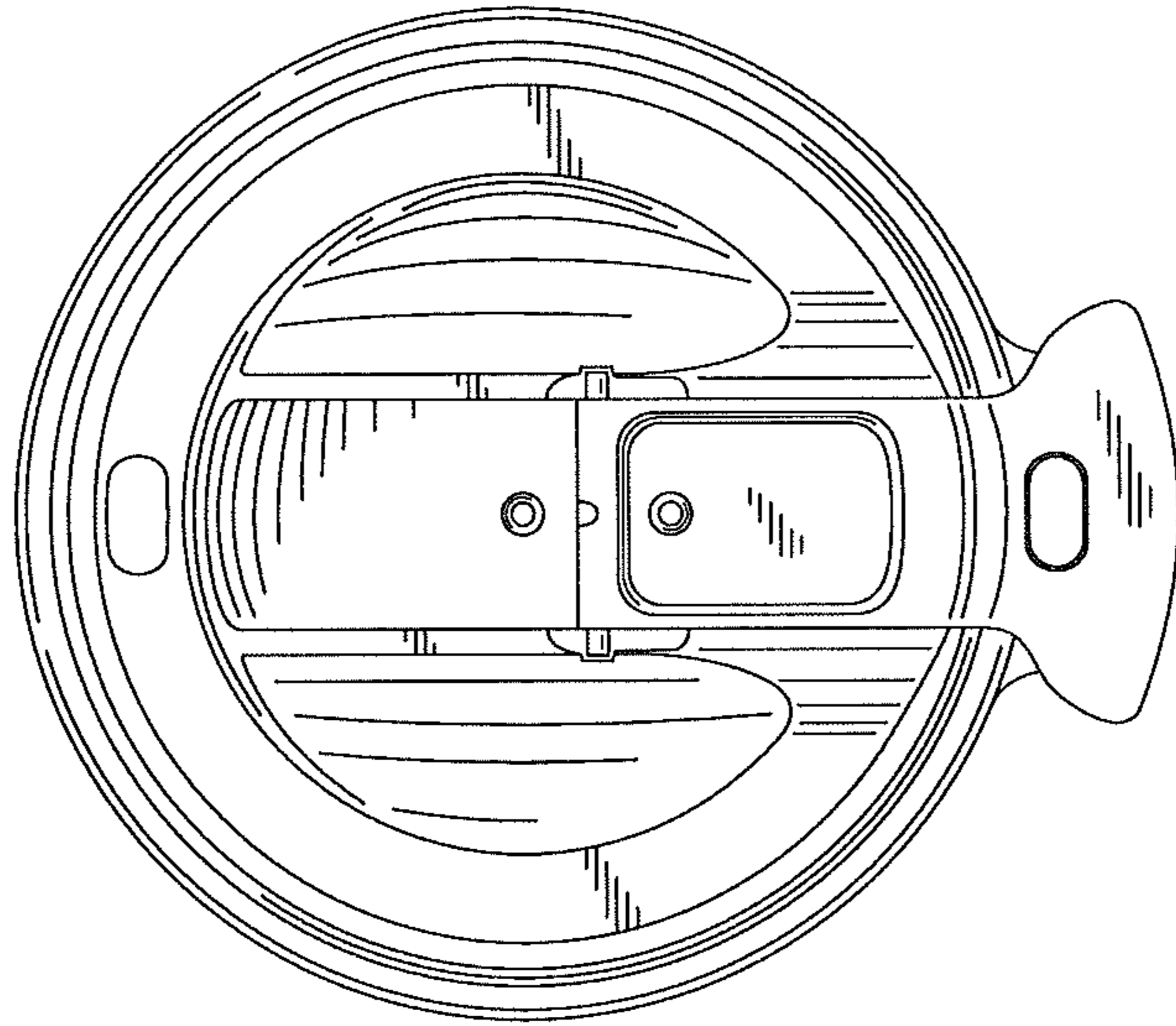


Fig. 3

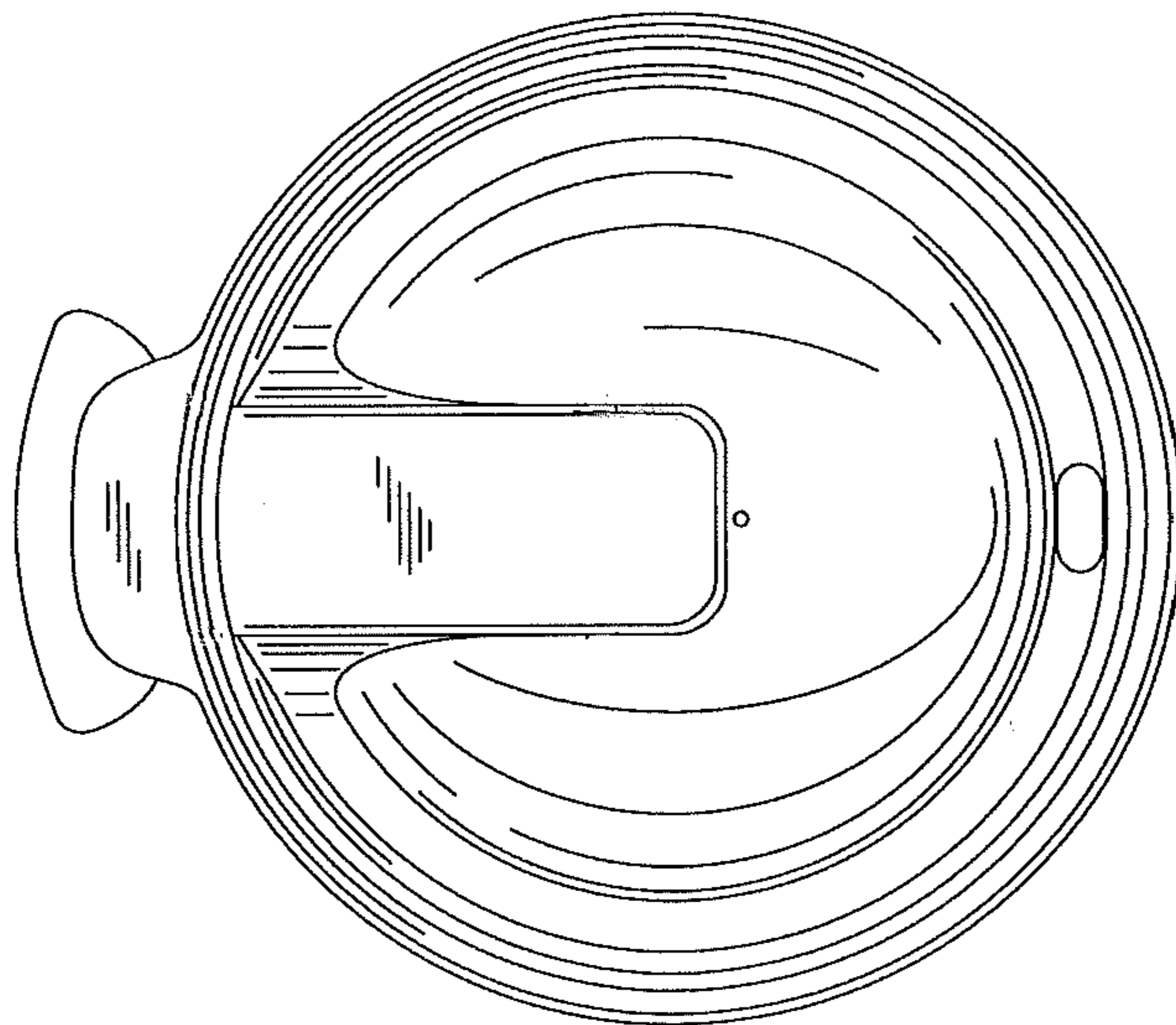


Fig. 4



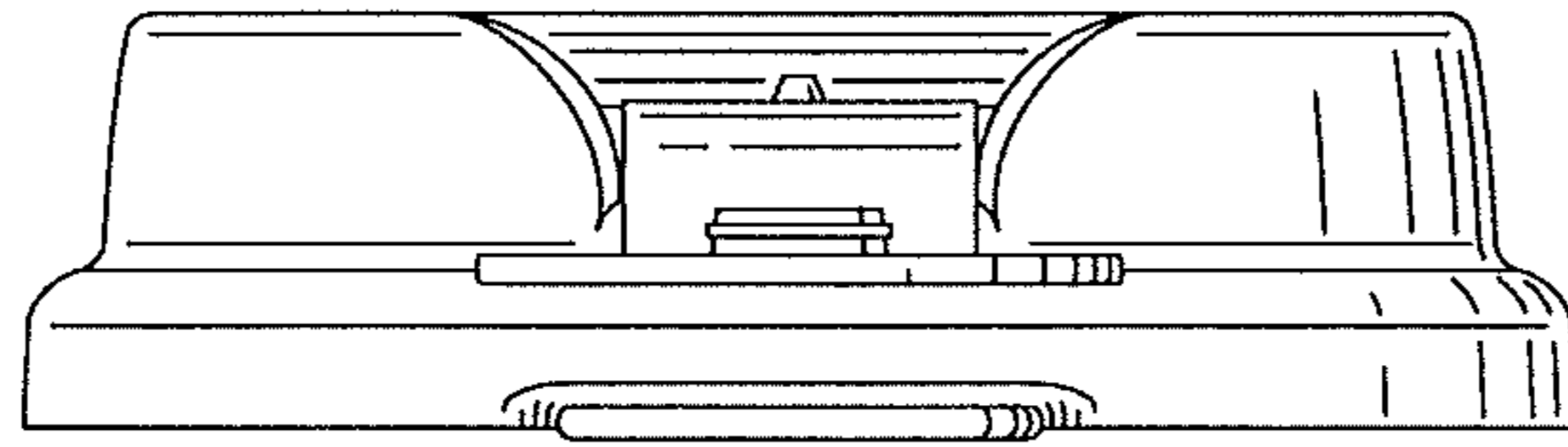


Fig. 5

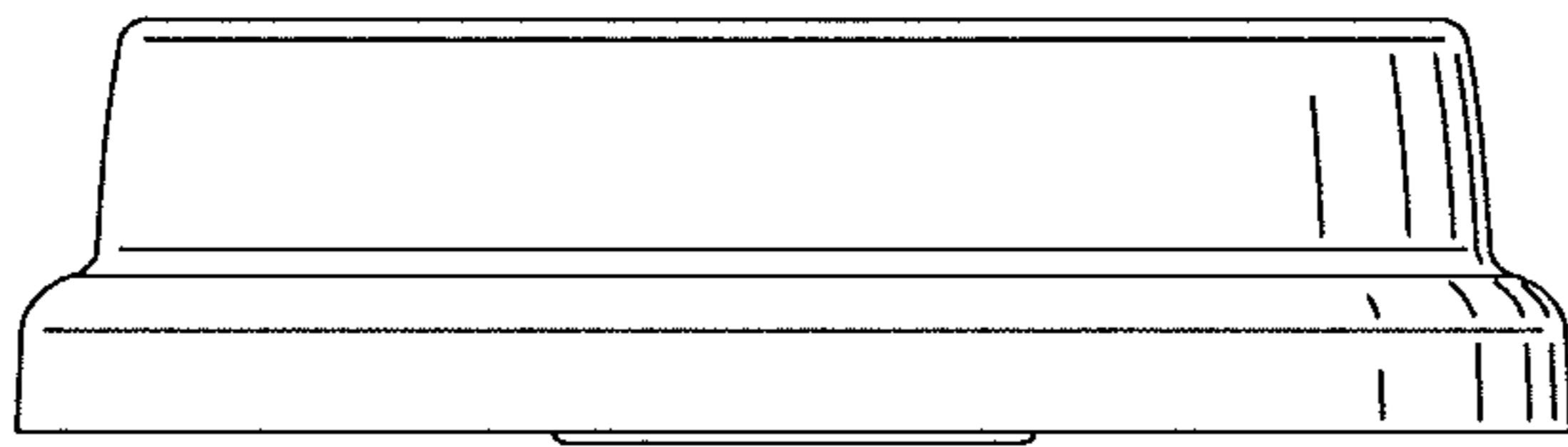


Fig. 6

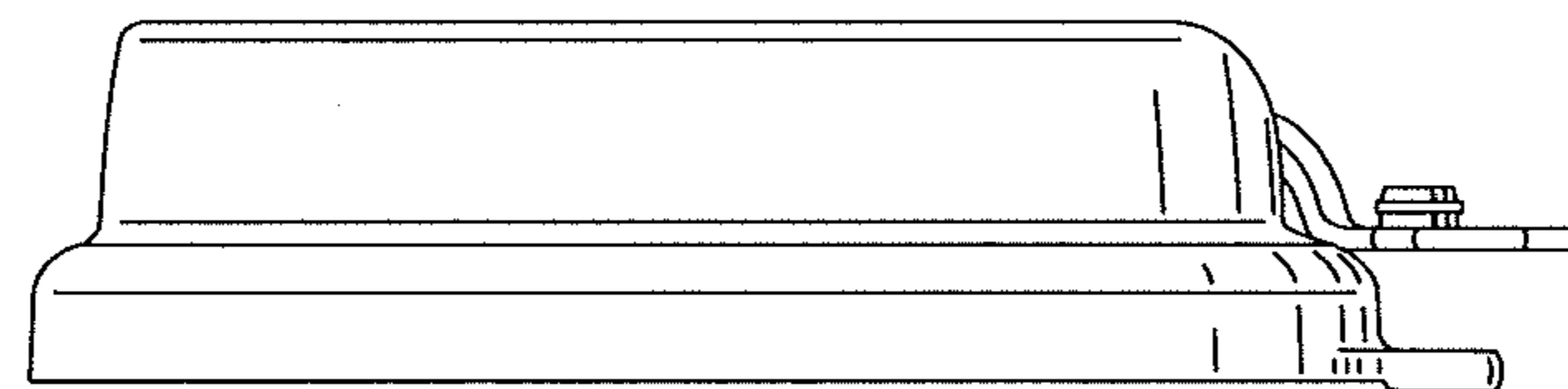


Fig. 7

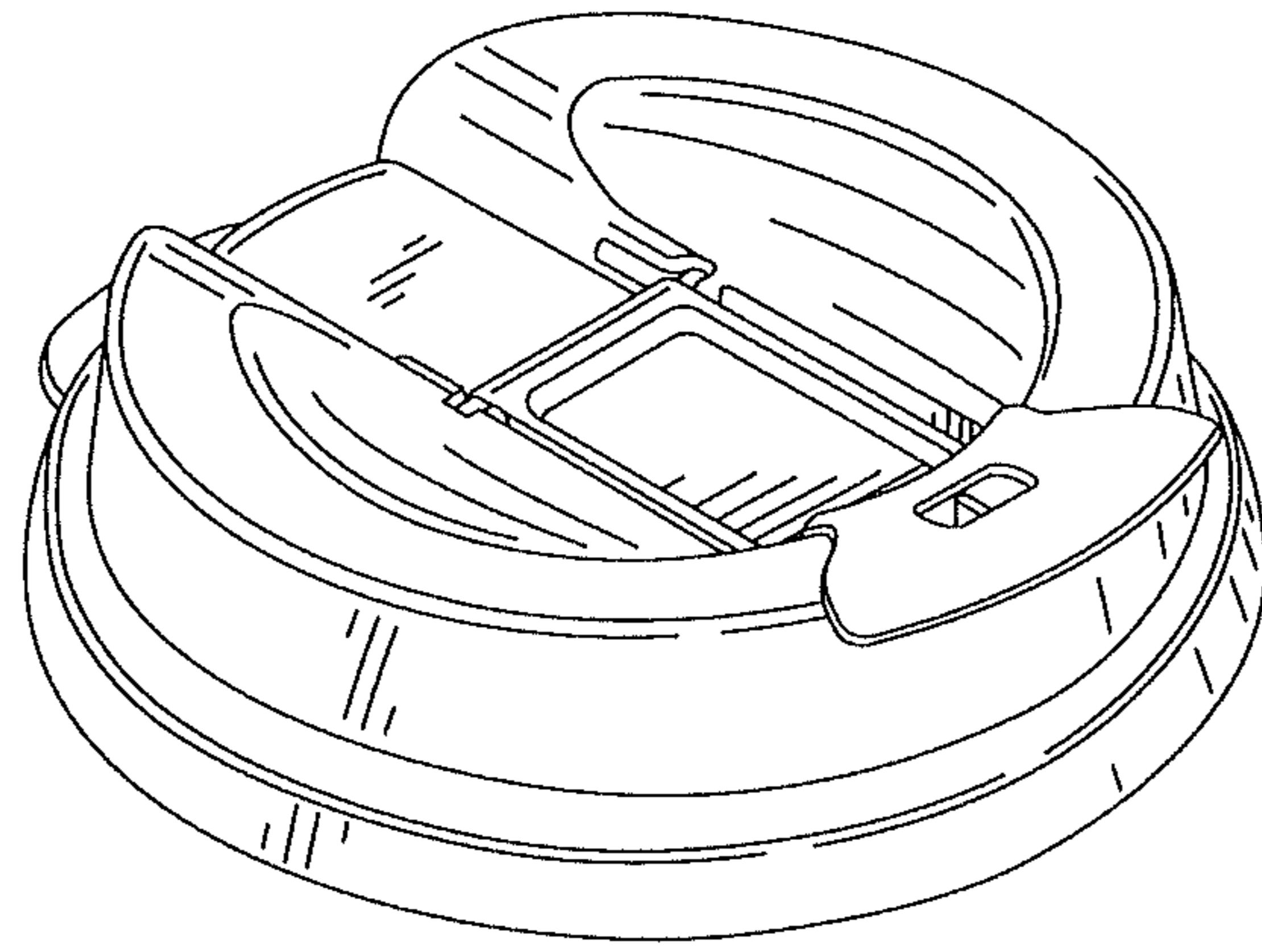


Fig. 8

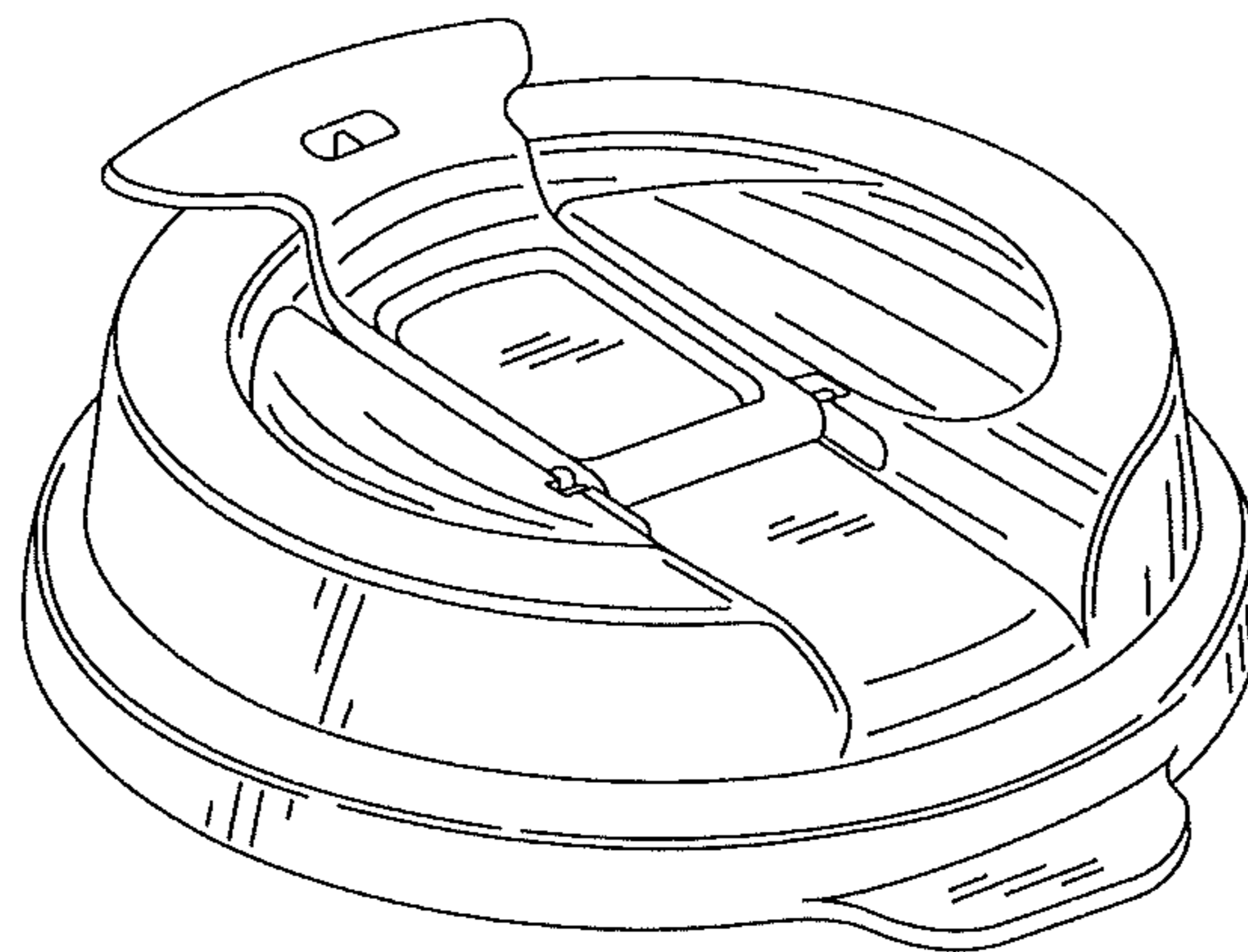


Fig. 9

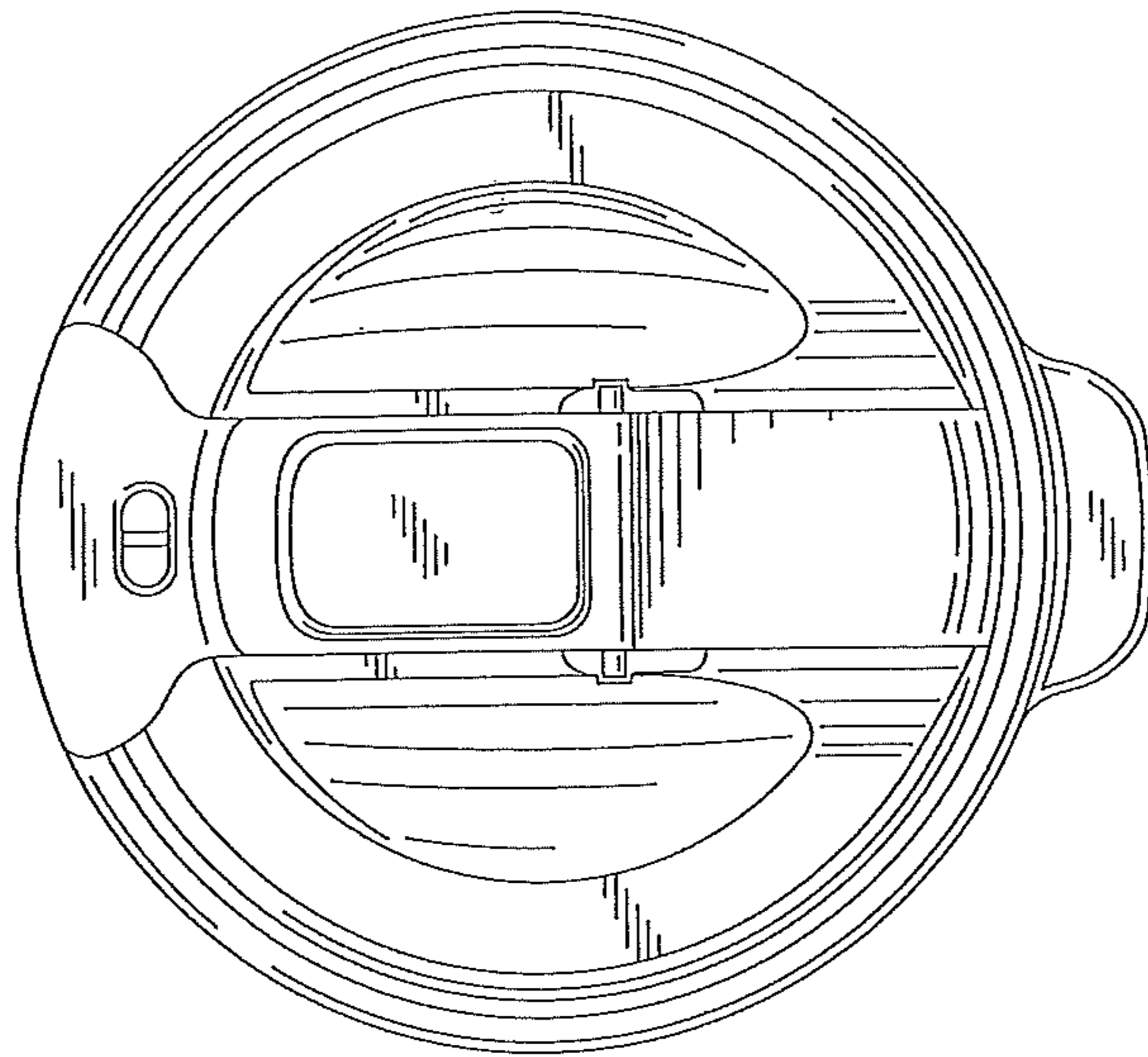


Fig. 10

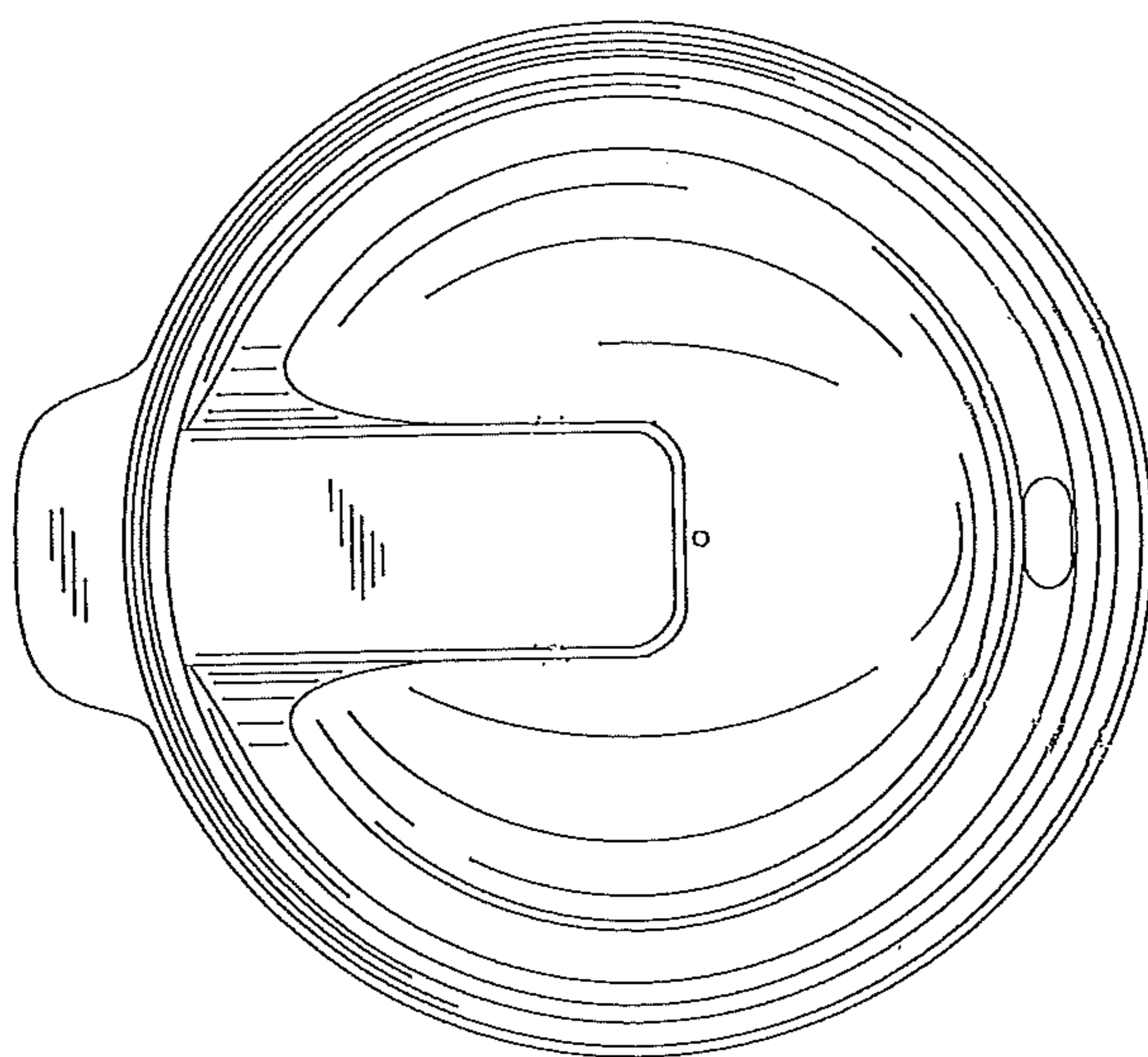


Fig. 11

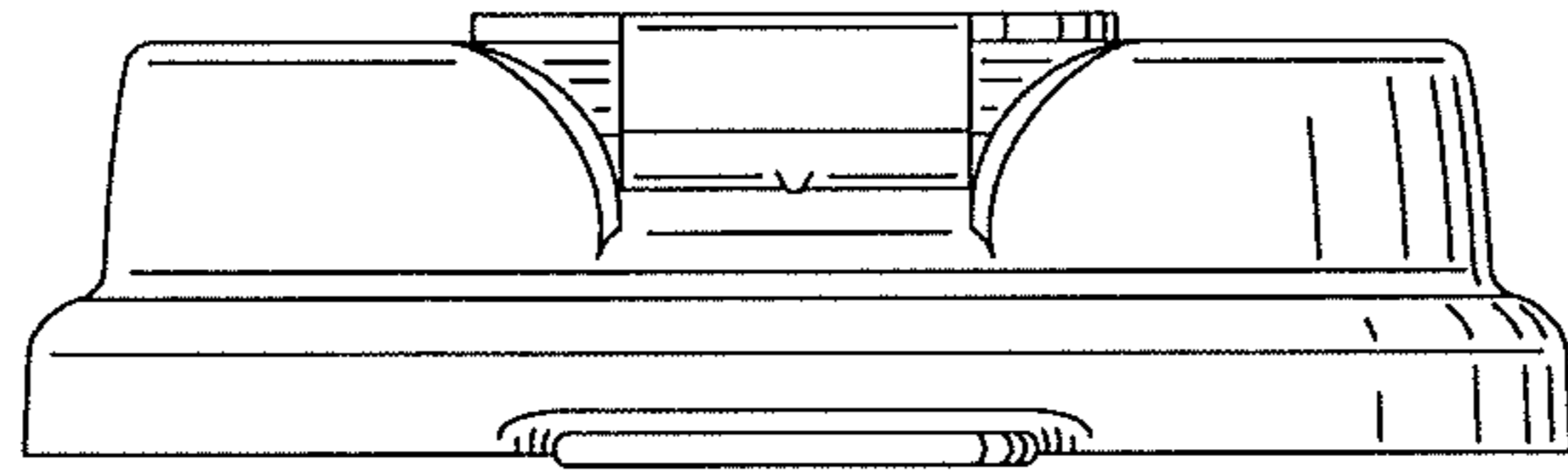


Fig. 12

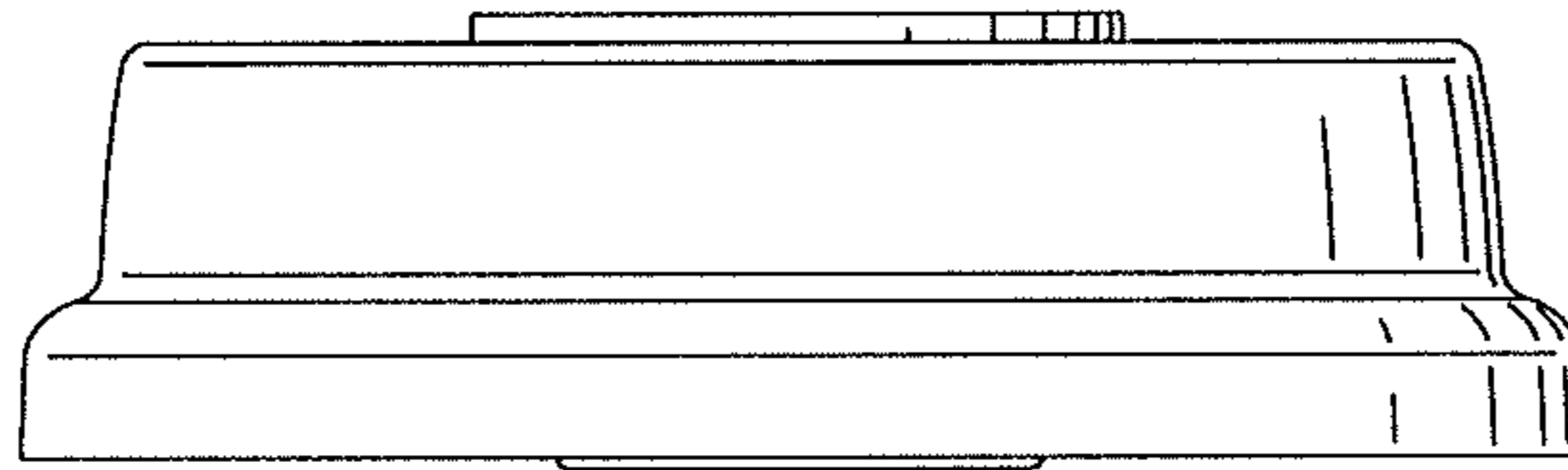


Fig. 13

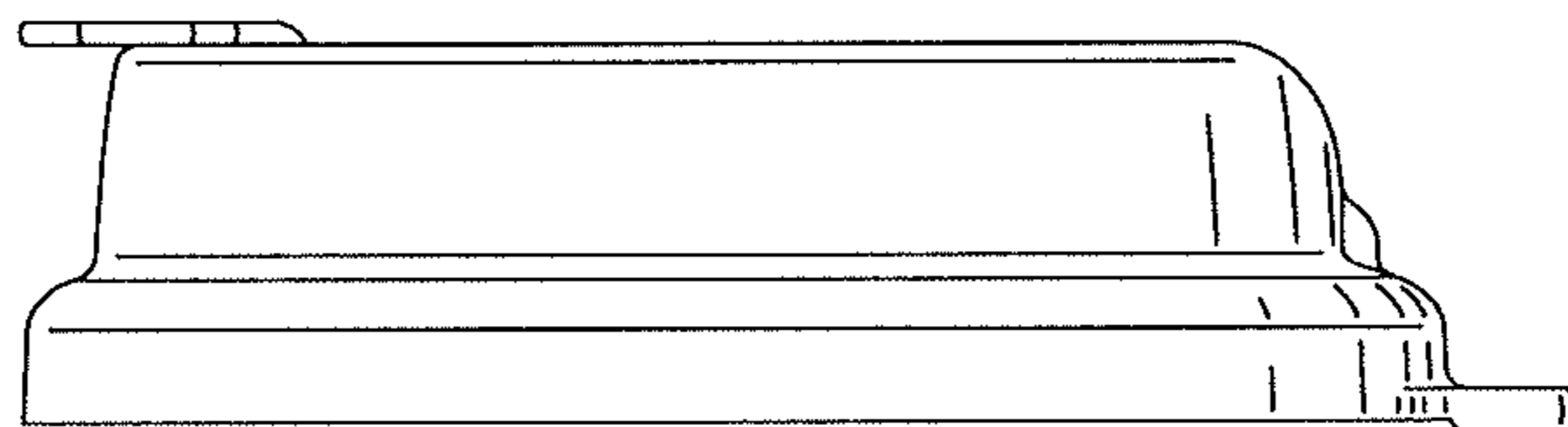


Fig. 14