



US00D692755S

(12) **United States Design Patent**
Curnutt

(10) **Patent No.:** **US D692,755 S**
(45) **Date of Patent:** **** Nov. 5, 2013**

- (54) **BOX LID RETENTION CLIP**
- (75) Inventor: **Timothy Curnutt**, Vista, CA (US)
- (73) Assignee: **Distinctive Plastics, Inc.**, Vista, CA (US)
- (**) Term: **14 Years**
- (21) Appl. No.: **29/400,600**
- (22) Filed: **Aug. 30, 2011**
- (51) **LOC (9) Cl.** **09-07**
- (52) **U.S. Cl.**
USPC **D9/434**
- (58) **Field of Classification Search**
USPC D9/434; D6/513; D8/395; 24/546;
229/123.1, 125.37; 292/80, 87;
D25/119
See application file for complete search history.

D312,783 S	12/1990	Sharp	
5,037,027 A *	8/1991	Nichols	229/198.1
5,431,336 A	7/1995	Clee	
6,305,599 B2 *	10/2001	Tsubaki et al.	229/122.23
6,578,759 B1	6/2003	Ortiz	
D496,853 S *	10/2004	Jones	D8/394
6,881,469 B2 *	4/2005	Hightower	428/99
7,244,004 B2 *	7/2007	Hightower	312/137
D573,012 S *	7/2008	Godwin et al.	D8/395

* cited by examiner

Primary Examiner — Randall Gholson

(74) *Attorney, Agent, or Firm* — Gary L. Eastman, Esq.

(57) **CLAIM**

The ornamental design for a box lid retention clip, as shown and described.

DESCRIPTION

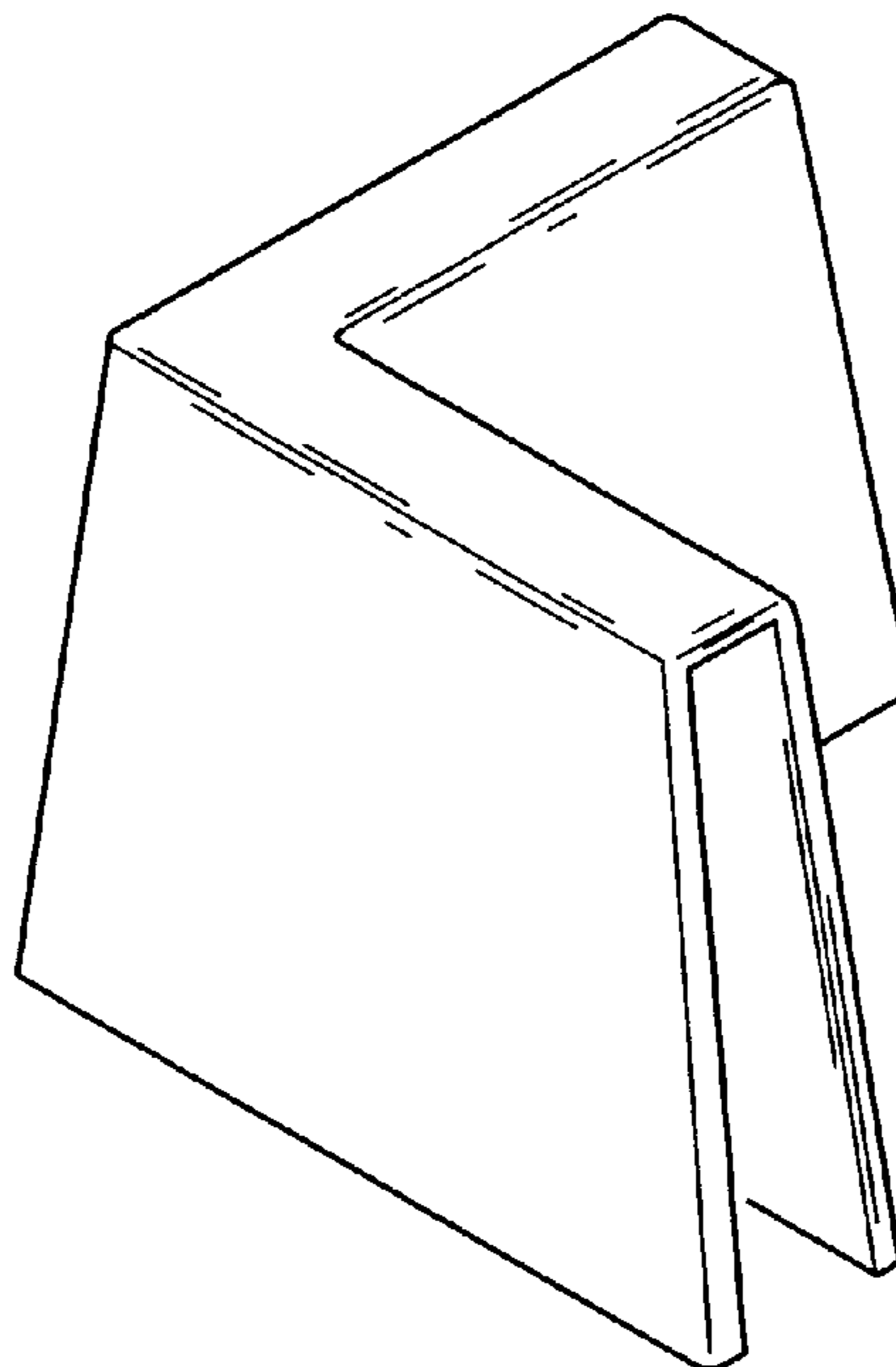
FIG. 1 is a top perspective view of the box lid retention clip showing my new design;
 FIG. 2 is a top perspective view of a collection of four (4) box lid retention clip configured to stack together;
 FIG. 3 is a front view of the box lid retention clip;
 FIG. 4 is a left side view of the box lid retention clip;
 FIG. 5 is a back view of the box lid retention clip;
 FIG. 6 is a right side view of the box lid retention clip;
 FIG. 7 is a bottom view of the box lid retention clip;
 FIG. 8 is a top view of the box lid retention clip; and,
 FIG. 9 is a perspective view of the box lid retention clip as shown positioned on a box (shown in dashed lines).
 The broken lines showing additional box lid retention clips in FIG. 2 and a second box lid retention clip and box in FIG. 9 are unclaimed.

1 Claim, 3 Drawing Sheets

(56) **References Cited**

U.S. PATENT DOCUMENTS

1,050,407 A	1/1913	Verrette	
1,675,654 A *	7/1928	Mahar	190/37
D140,286 S *	2/1945	Dee	D9/434
2,375,374 A	5/1945	Lepp	
2,582,502 A	1/1952	Nagler	
2,801,453 A	8/1957	Melvin	
2,894,308 A *	7/1959	Eckstein	24/561
2,914,210 A	11/1959	Paston	
2,950,514 A	8/1960	Small	
3,760,465 A *	9/1973	Brennan	229/198.1
4,068,353 A	1/1978	Speers et al.	
4,528,800 A	7/1985	Burns	
4,619,365 A *	10/1986	Kelly et al.	206/503
4,761,935 A *	8/1988	King et al.	53/416
4,779,751 A *	10/1988	Munroe	217/69



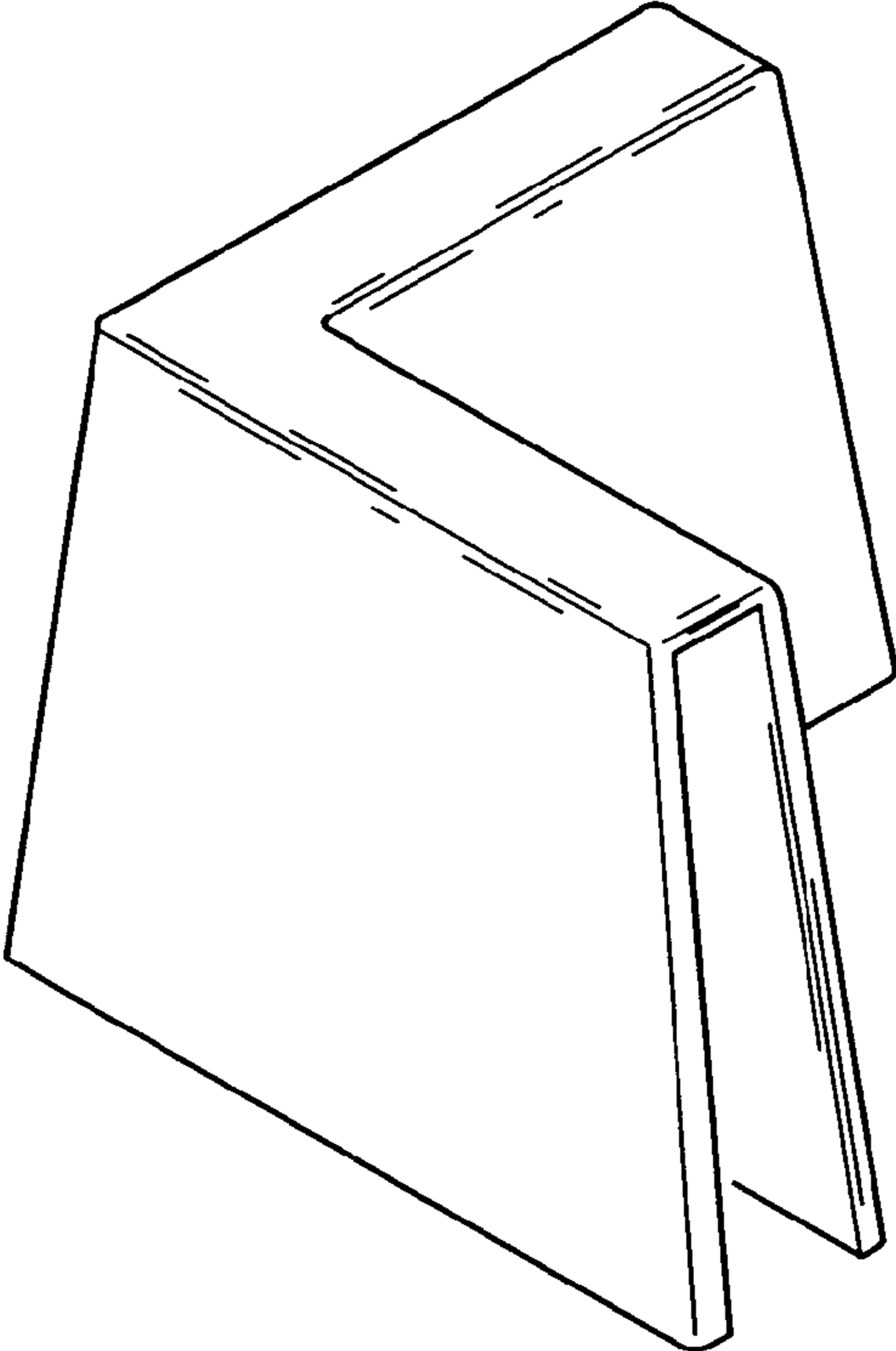


FIG. 1

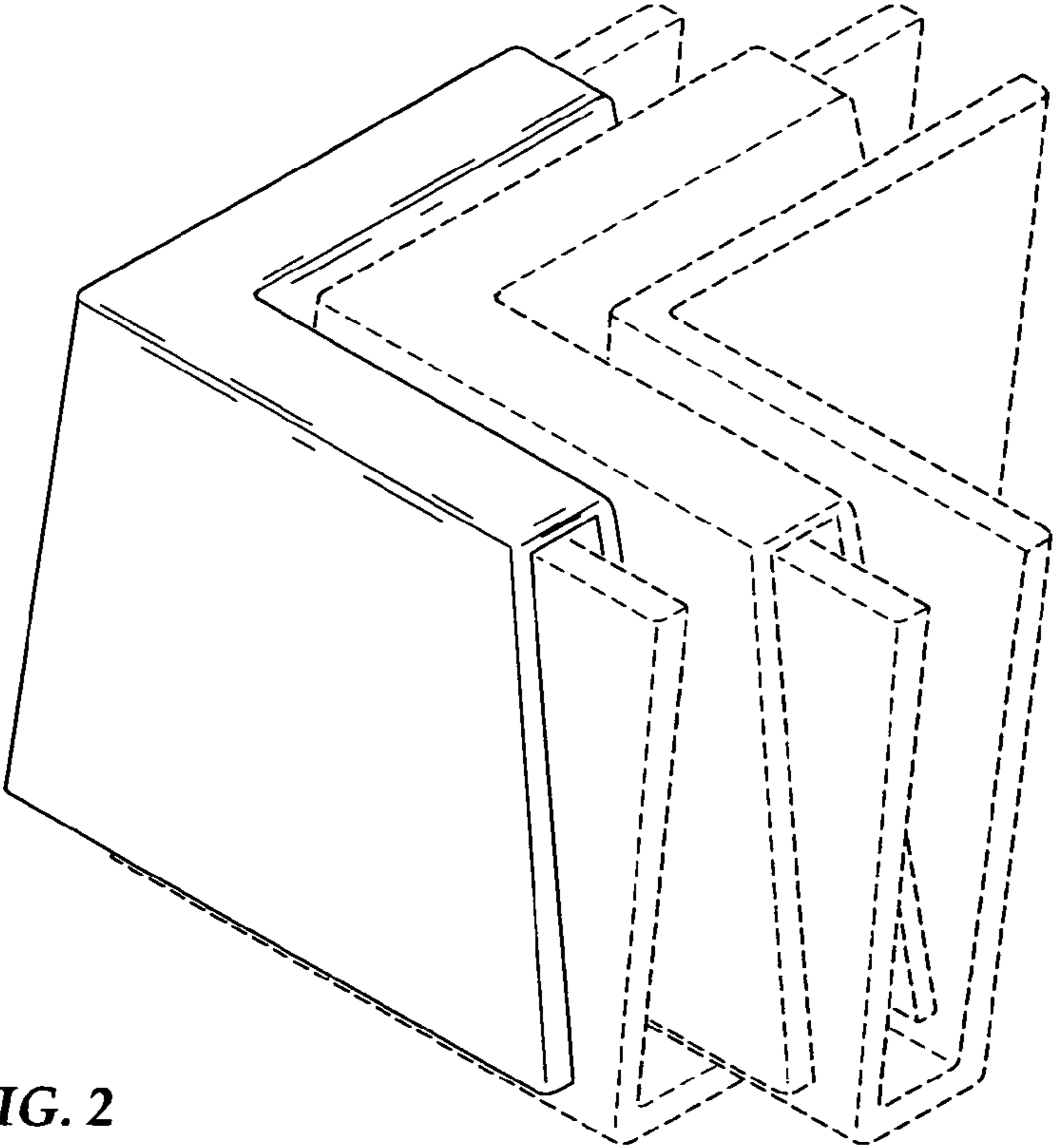


FIG. 2

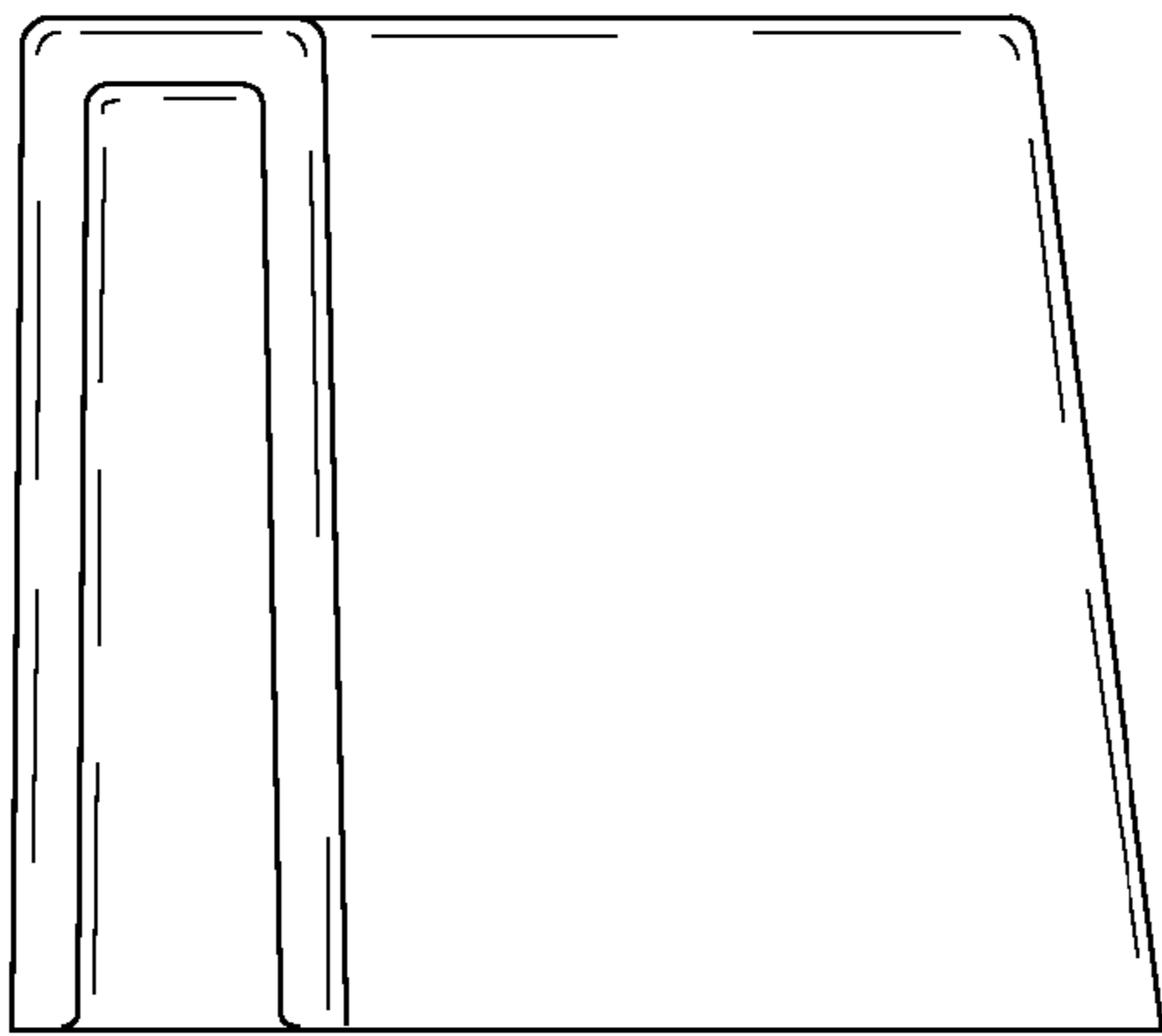


FIG. 3

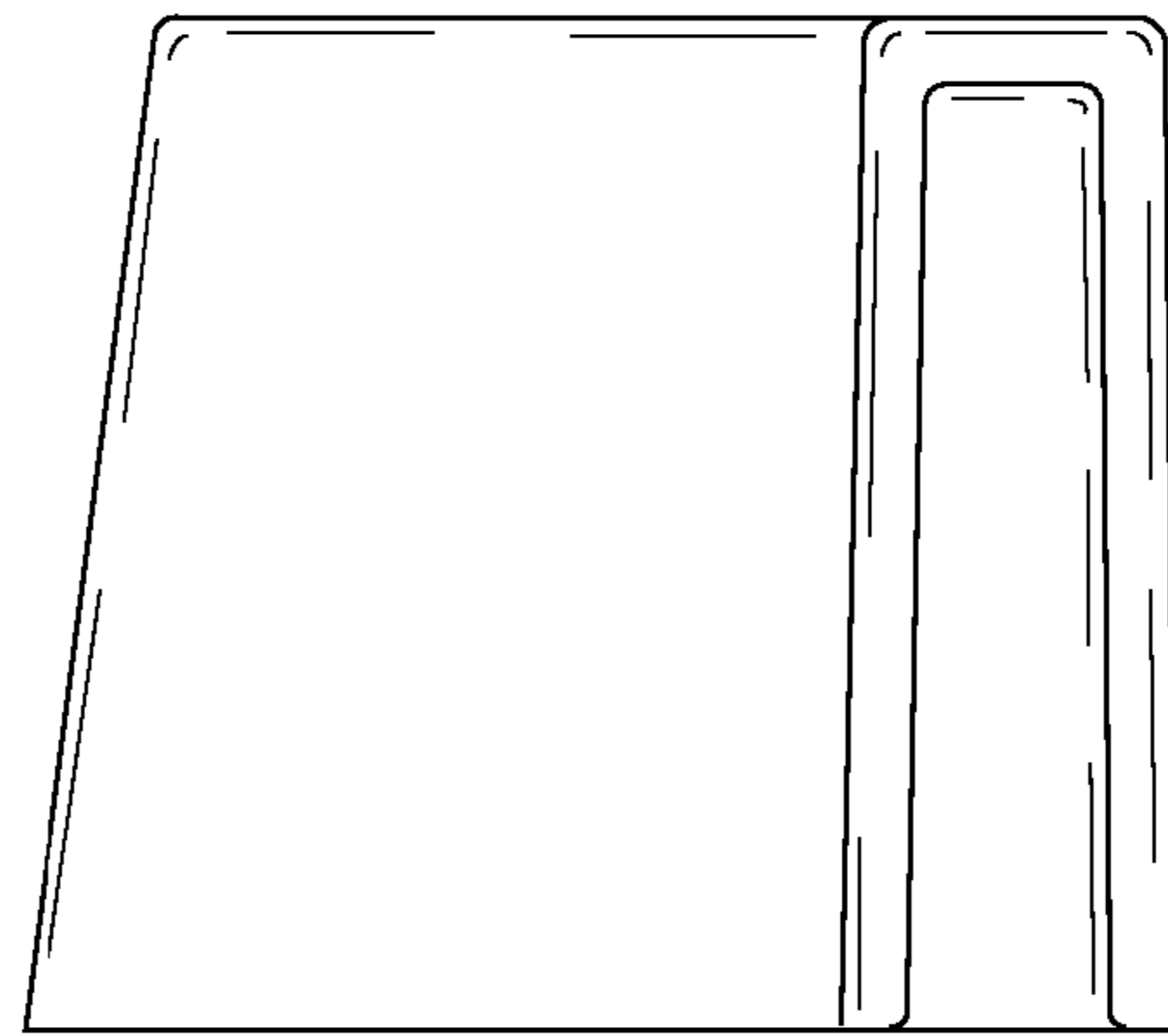


FIG. 4

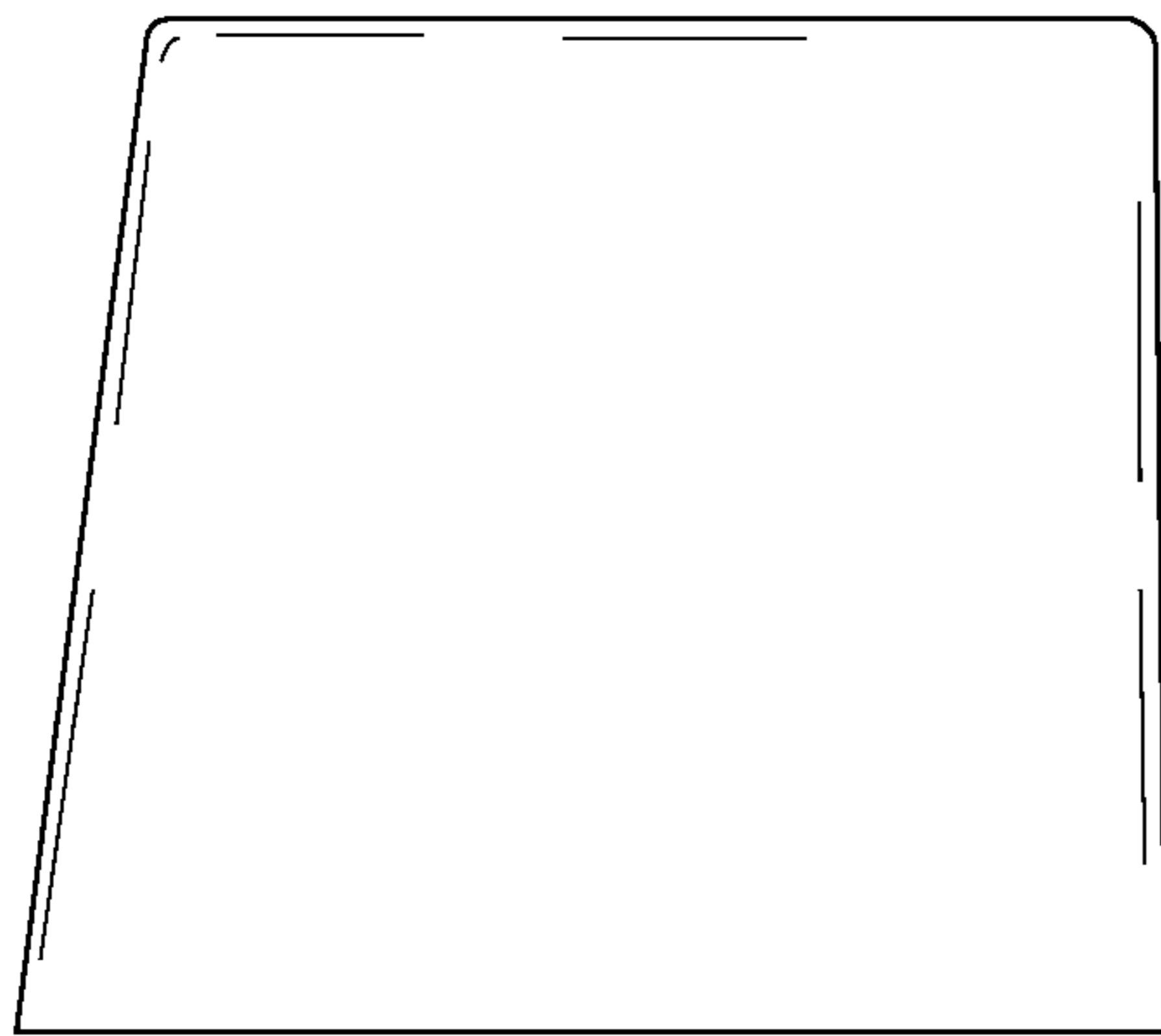


FIG. 5

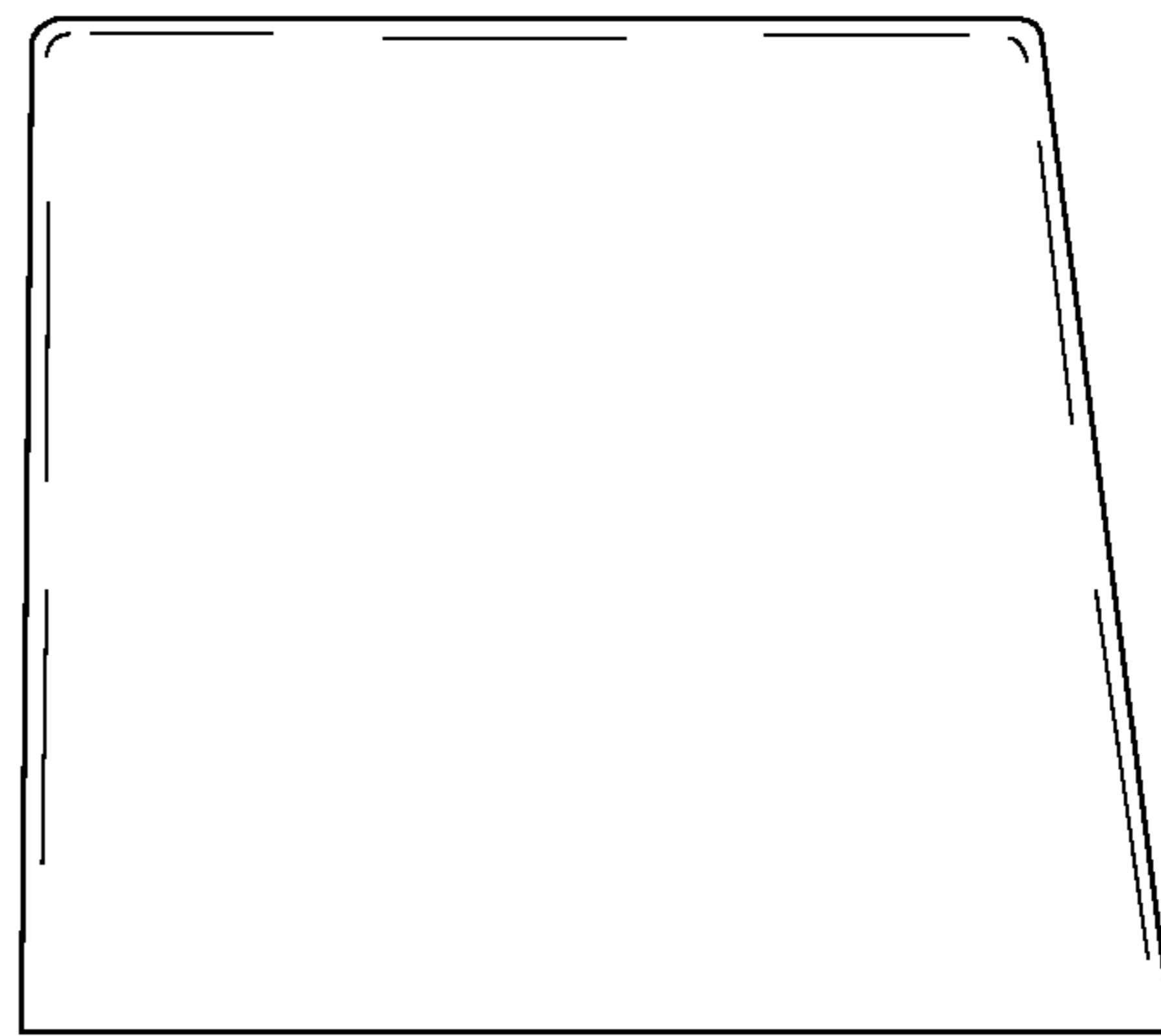


FIG. 6

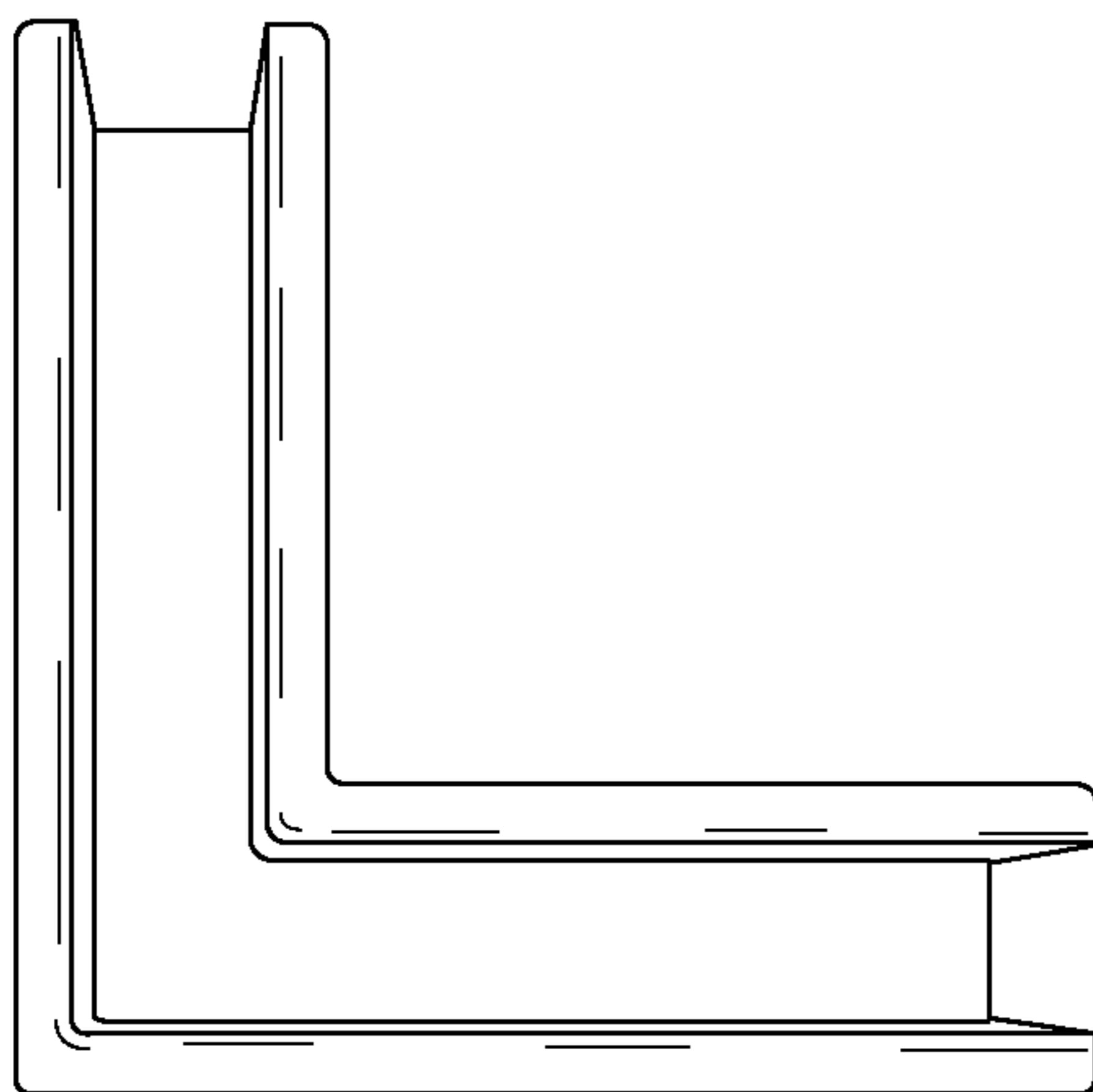


FIG. 7

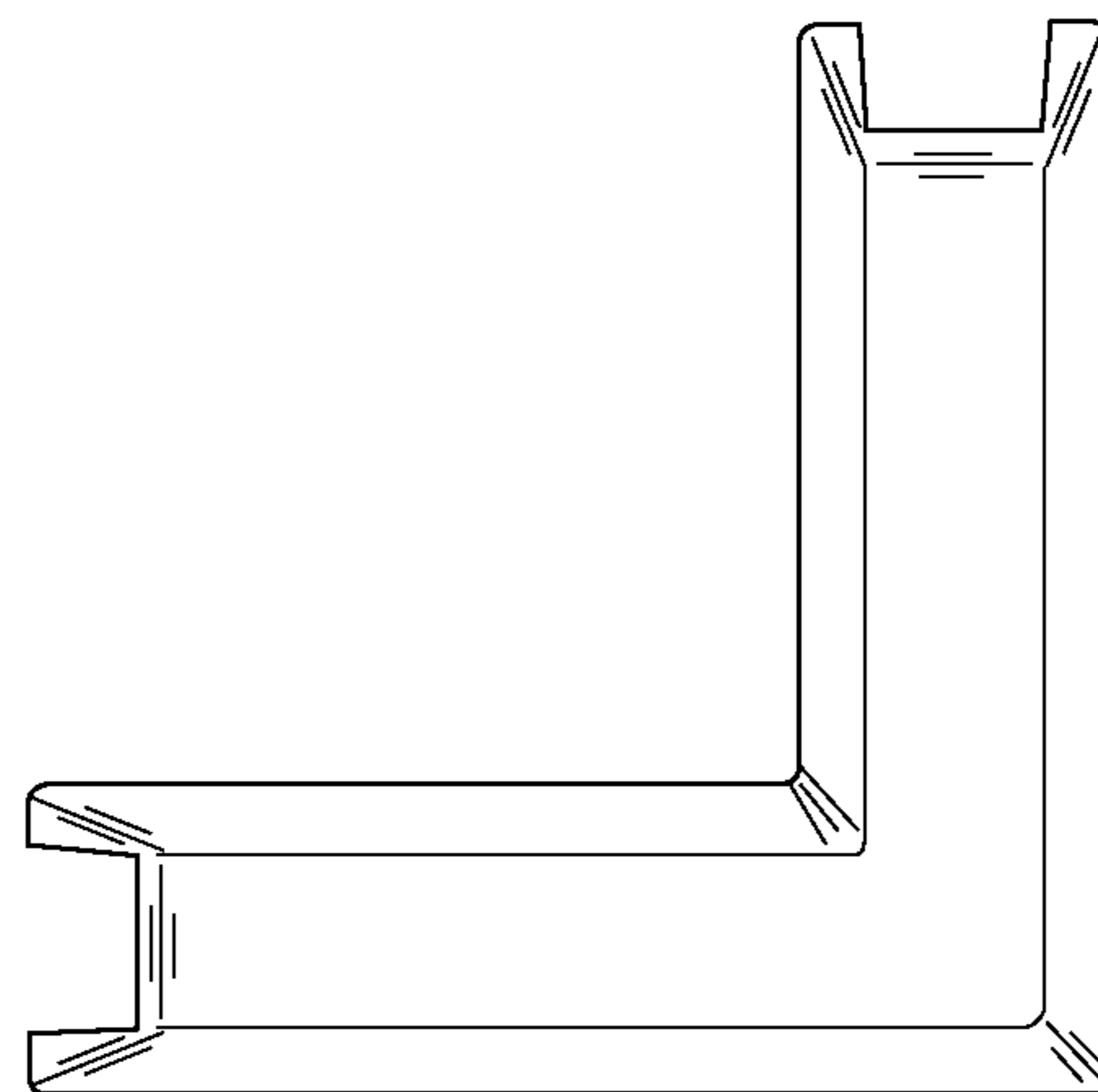


FIG. 8

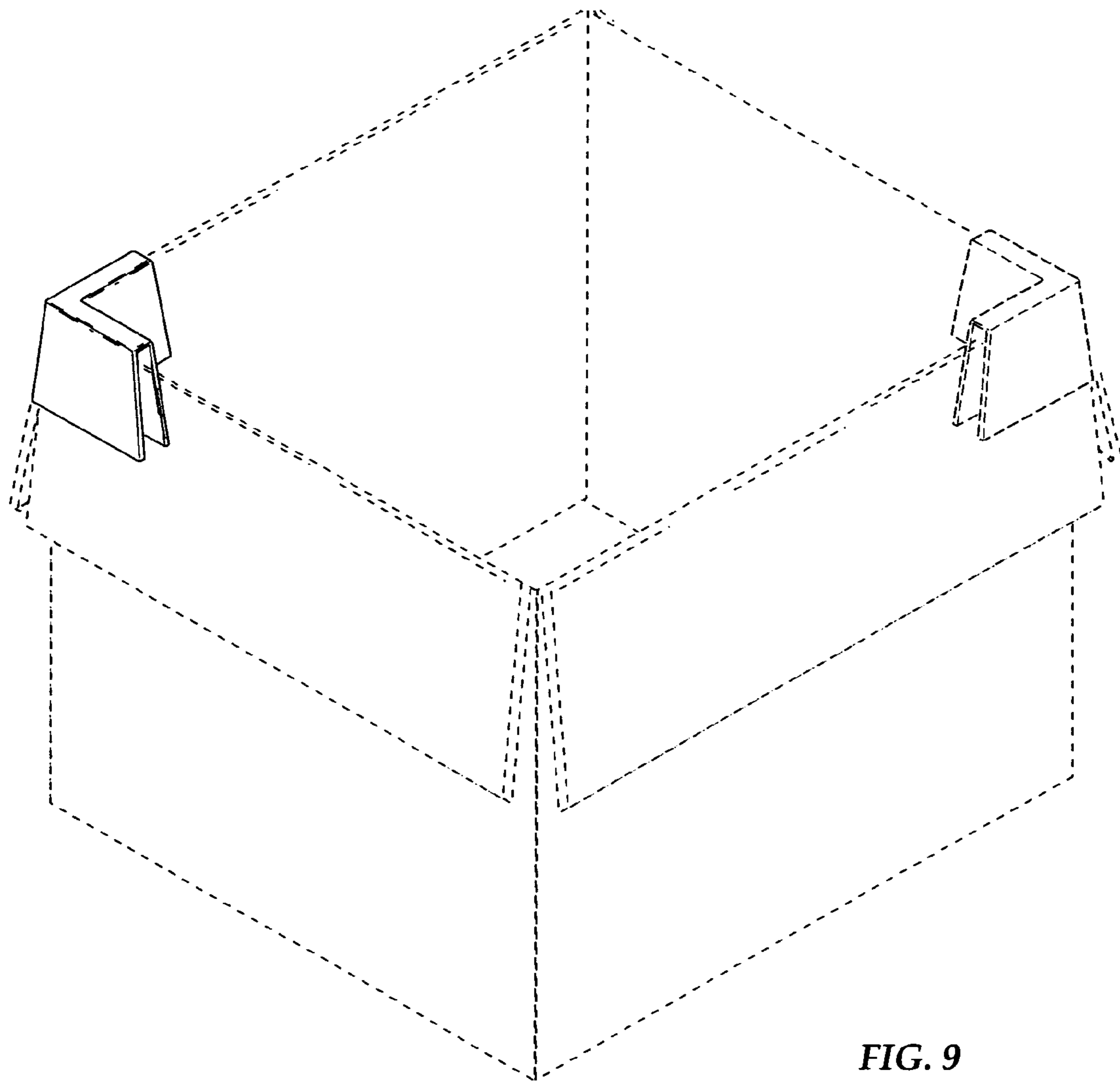


FIG. 9