



US00D692754S

(12) **United States Design Patent**  
**Akana et al.**

(10) **Patent No.:** **US D692,754 S**  
(45) **Date of Patent:** **\*\* Nov. 5, 2013**

(54) **PACKAGING**

- (71) Applicant: **Apple Inc.**, Cupertino, CA (US)
- (72) Inventors: **Jody Akana**, San Francisco, CA (US);  
**Bartley K. Andre**, Palo Alto, CA (US);  
**Shota Aoyagi**, San Francisco, CA (US);  
**Jeremy Bataillou**, San Francisco, CA (US);  
**Daniel J. Coster**, San Francisco, CA (US);  
**Daniel De Iuliis**, San Francisco, CA (US);  
**M. Evans Hankey**, San Francisco, CA (US);  
**Julian Hoenig**, San Francisco, CA (US);  
**Richard P. Howarth**, San Francisco, CA (US);  
**Jonathan P. Ive**, San Francisco, CA (US);  
**Duncan Robert Kerr**, San Francisco, CA (US);  
**Matthew Dean Rohrbach**, San Francisco, CA (US);  
**Peter Russell-Clarke**, San Francisco, CA (US);  
**Mikael Silvanto**, San Francisco, CA (US);  
**Christopher J. Stringer**, Woodside, CA (US);  
**Eugene Antony Whang**, San Francisco, CA (US);  
**Rico Zörkendörfer**, San Francisco, CA (US)
- (73) Assignee: **Apple Inc.**, Cupertino, CA (US)
- (\*\*) Term: **14 Years**
- (21) Appl. No.: **29/435,394**
- (22) Filed: **Oct. 23, 2012**
- (51) **LOC (9) Cl.** ..... **09-03**
- (52) **U.S. Cl.**  
USPC ..... **D9/431**
- (58) **Field of Classification Search**  
USPC ..... D9/414, 416, 418, 420-424, 430-433,  
D9/455-456; D3/272, 273, 302; 206/267,  
206/269, 270, 273, 299, 737, 740, 822;  
229/100, 101, 101.3, 106, 108-122,  
229/123-123.3

See application file for complete search history.

(56) **References Cited**

U.S. PATENT DOCUMENTS

1,141,789	A *	6/1915	Freese	.....	229/117.24
2,233,799	A *	3/1941	Seifer et al.	.....	229/117.22
2,598,945	A *	6/1952	Taylor	.....	229/117.24
2,795,367	A *	6/1957	Feldman et al.	.....	229/117.12
2,883,042	A *	4/1959	Richer	.....	206/279
2,981,458	A *	4/1961	Thibault	.....	229/117.24
4,176,423	A *	12/1979	Wigemark	.....	16/406

(Continued)

OTHER PUBLICATIONS

Taking the new iMac out...[online] Dated Nov. 30, 2012. Retrieved on May 2, 2013 from URL: <<http://arstechnica.com/apple/2012/11/taking-the-new-imac-out-of-its-weird-shaped-box/>>.\*

(Continued)

*Primary Examiner* — Susan Bennett Hattan  
*Assistant Examiner* — Vy Koenig  
(74) *Attorney, Agent, or Firm* — Saidman DesignLaw Group

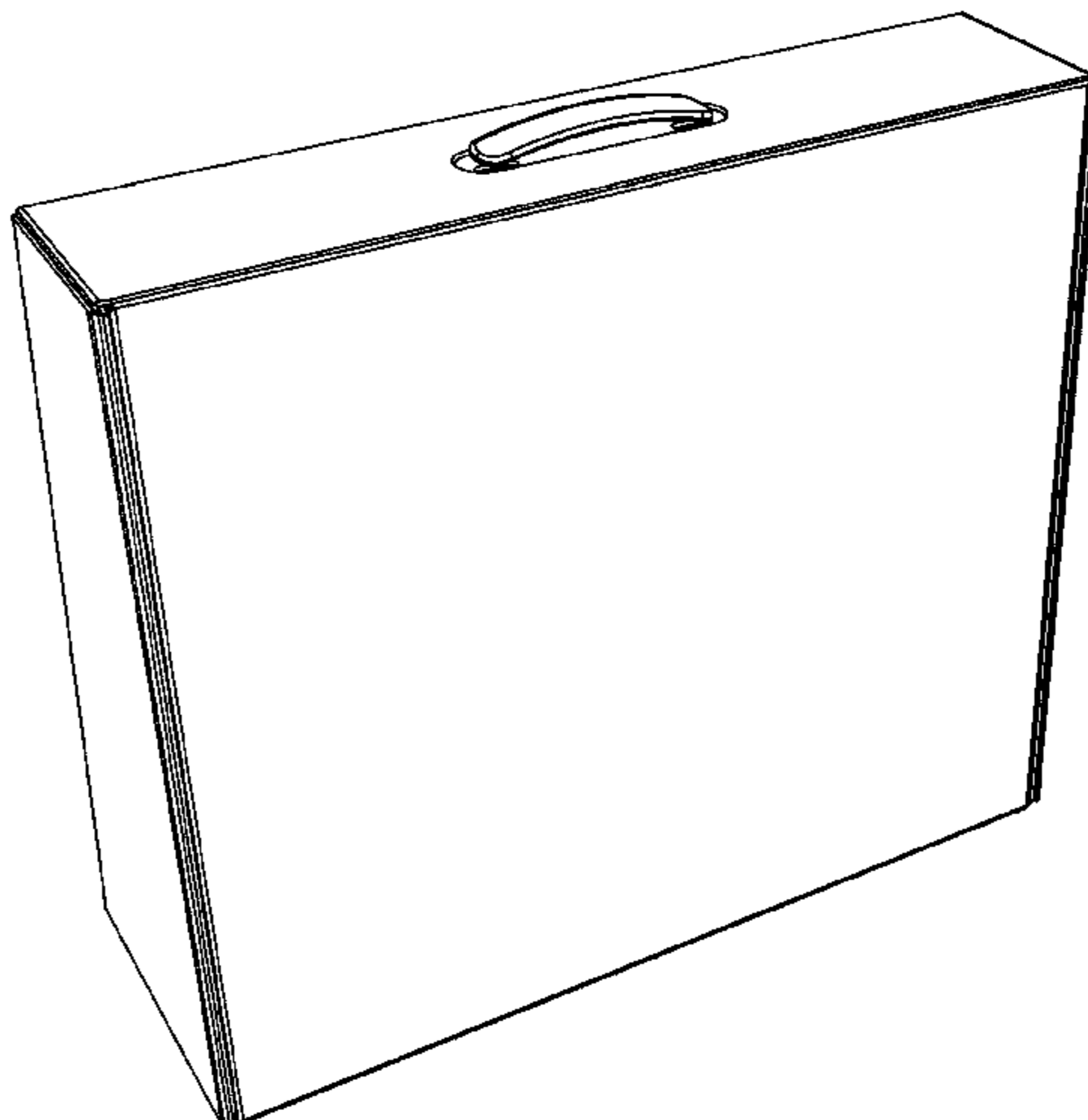
(57) **CLAIM**

The ornamental design for packaging, as shown and described.

**DESCRIPTION**

FIG. 1 is a top, front perspective view of packaging showing our new design;  
FIG. 2 is a front view thereof;  
FIG. 3 is a rear view thereof;  
FIG. 4 a left side view thereof;  
FIG. 5 is a right side view thereof;  
FIG. 6 is a top view thereof; and,  
FIG. 7 is a bottom view thereof.  
The drawings include CAD lines that represent contour and not surface decoration.

**1 Claim, 6 Drawing Sheets**



# US D692,754 S

Page 2

---

(56)

## References Cited

### U.S. PATENT DOCUMENTS

D384,583 S \* 10/1997 Green et al. .... D9/431  
D469,687 S \* 2/2003 Larian ..... D9/415  
D527,998 S \* 9/2006 Nixon ..... D9/431  
D540,667 S \* 4/2007 Duranthon ..... D9/430  
D544,791 S \* 6/2007 Buchman ..... D9/434  
D589,346 S \* 3/2009 Hall ..... D9/432

D630,092 S \* 1/2011 Roveda et al. .... D9/431  
D633,787 S \* 3/2011 Vinseiro ..... D9/431  
D637,485 S \* 5/2011 Blomberg ..... D9/431  
D657,238 S \* 4/2012 Neufeldt ..... D9/431

### OTHER PUBLICATIONS

U.S. Appl. No. 29/436,744, entitled "Packaging," filed Nov. 8, 2012.  
Photos of iMac packaging, available at least as early as Oct. 23, 2011.

\* cited by examiner

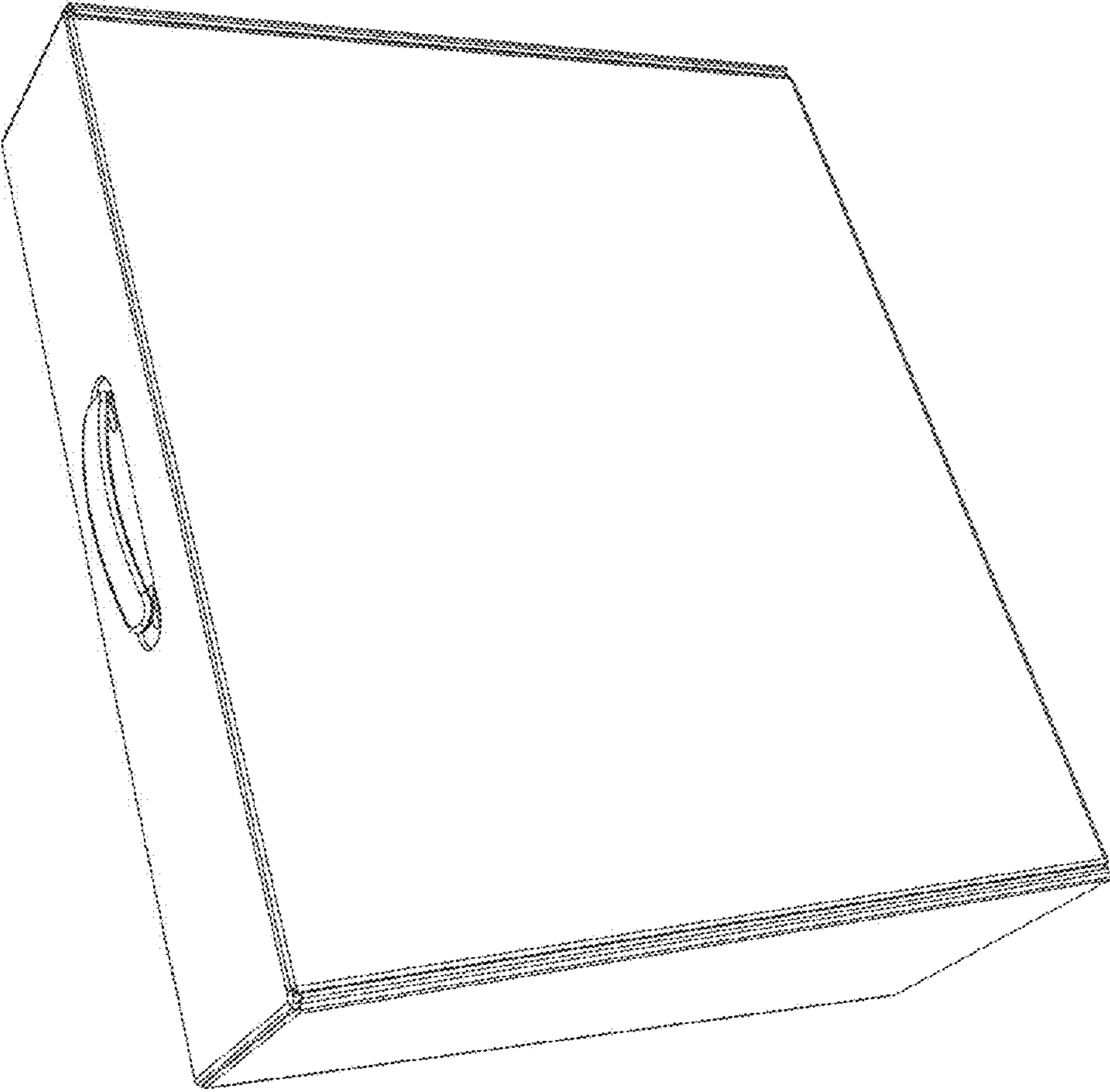


FIG. 1

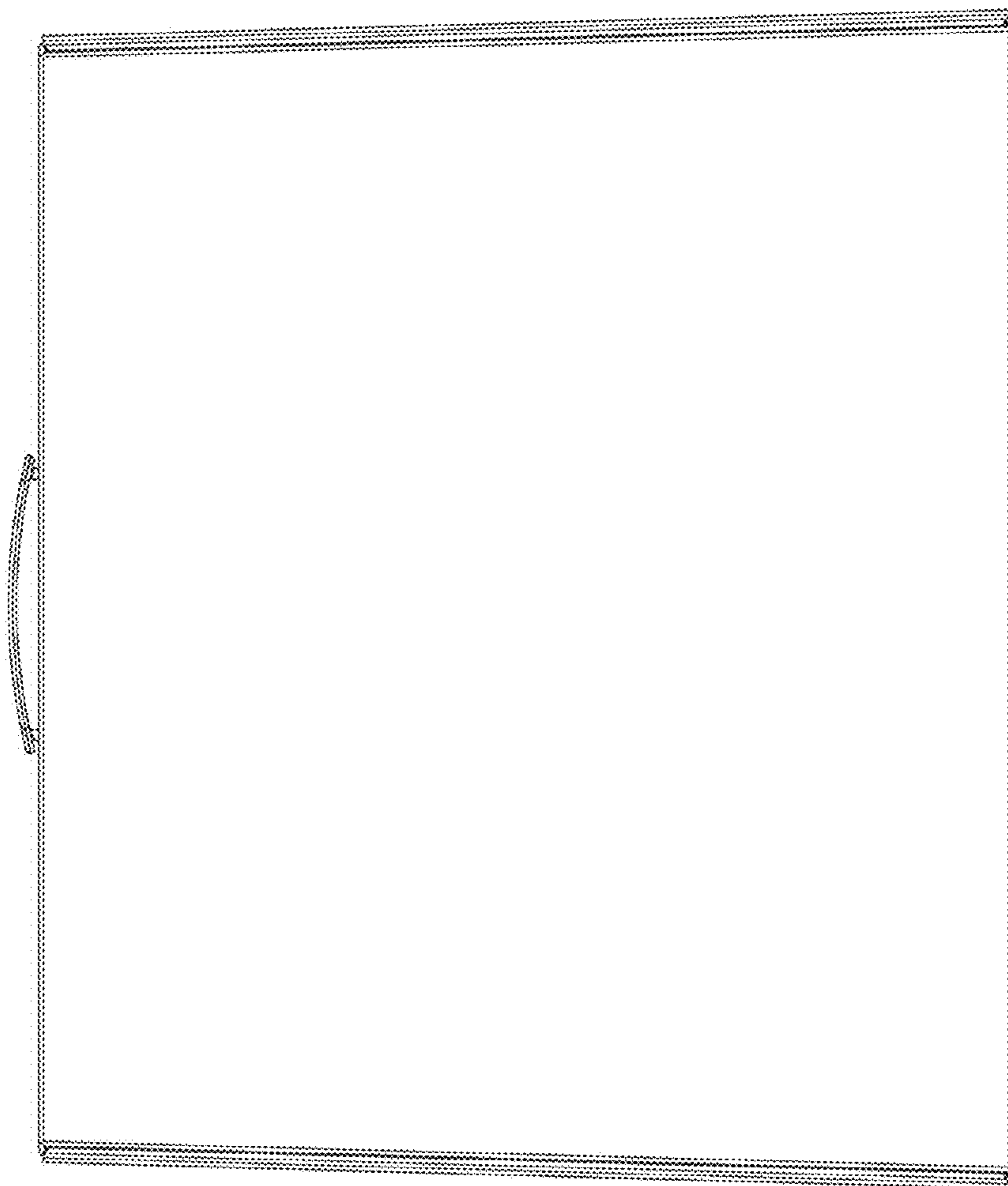


FIG. 2

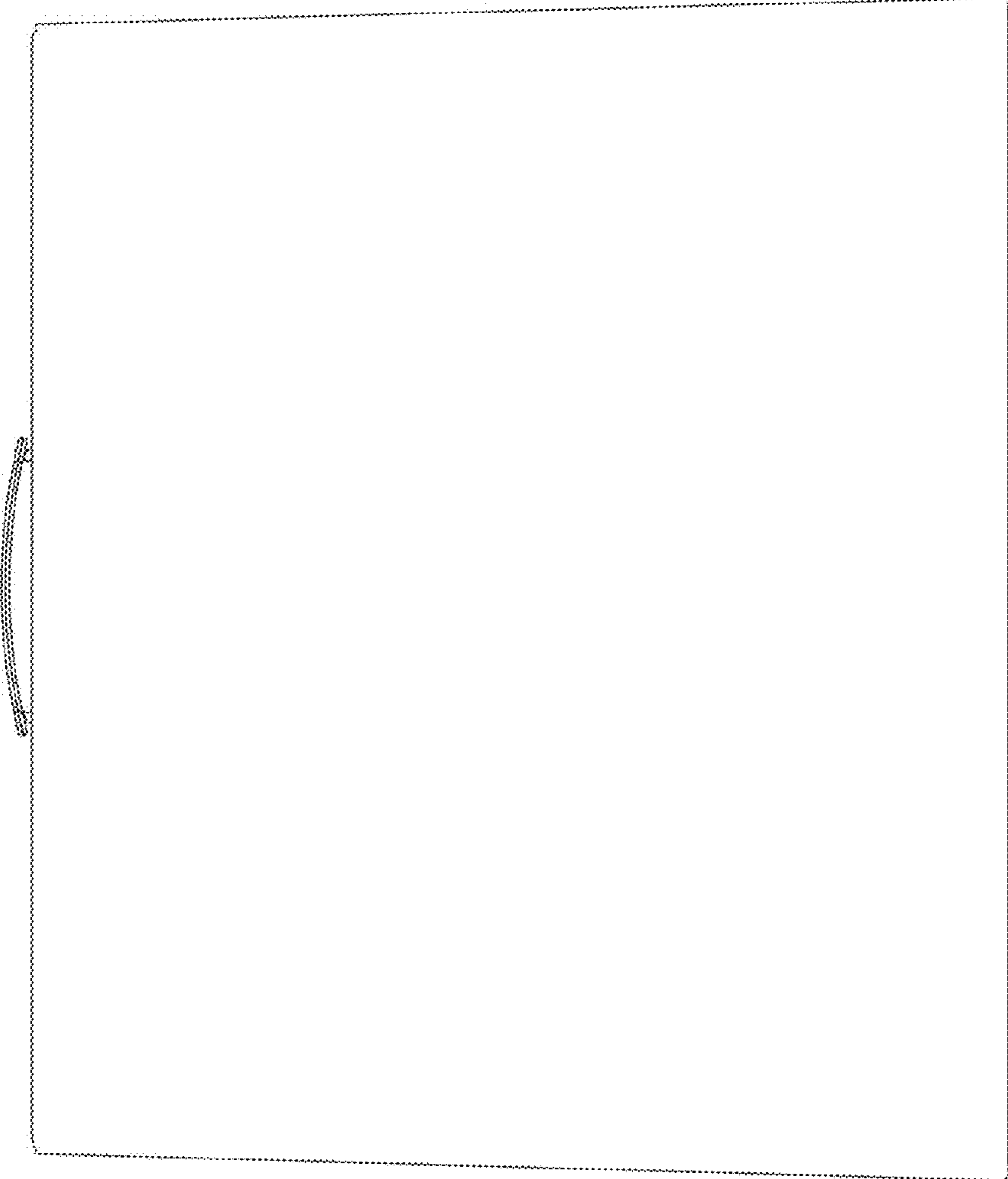


FIG. 3

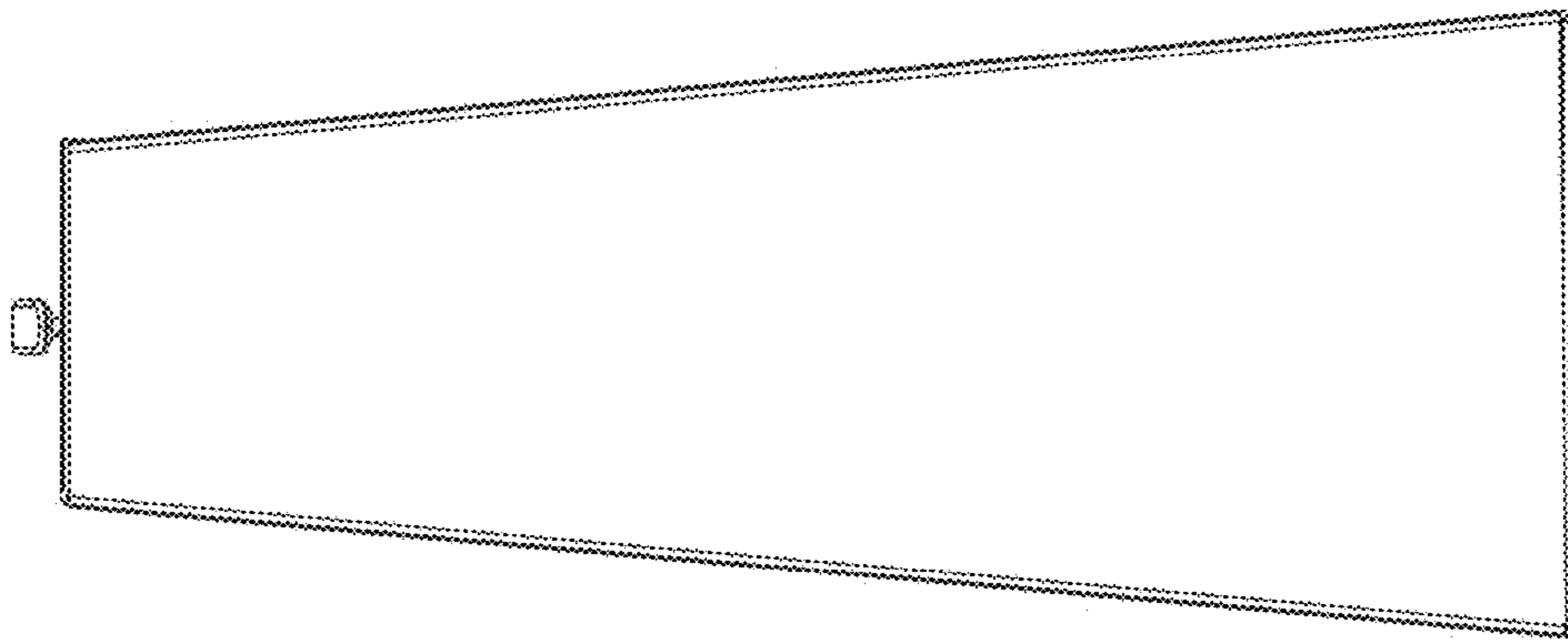


FIG. 5

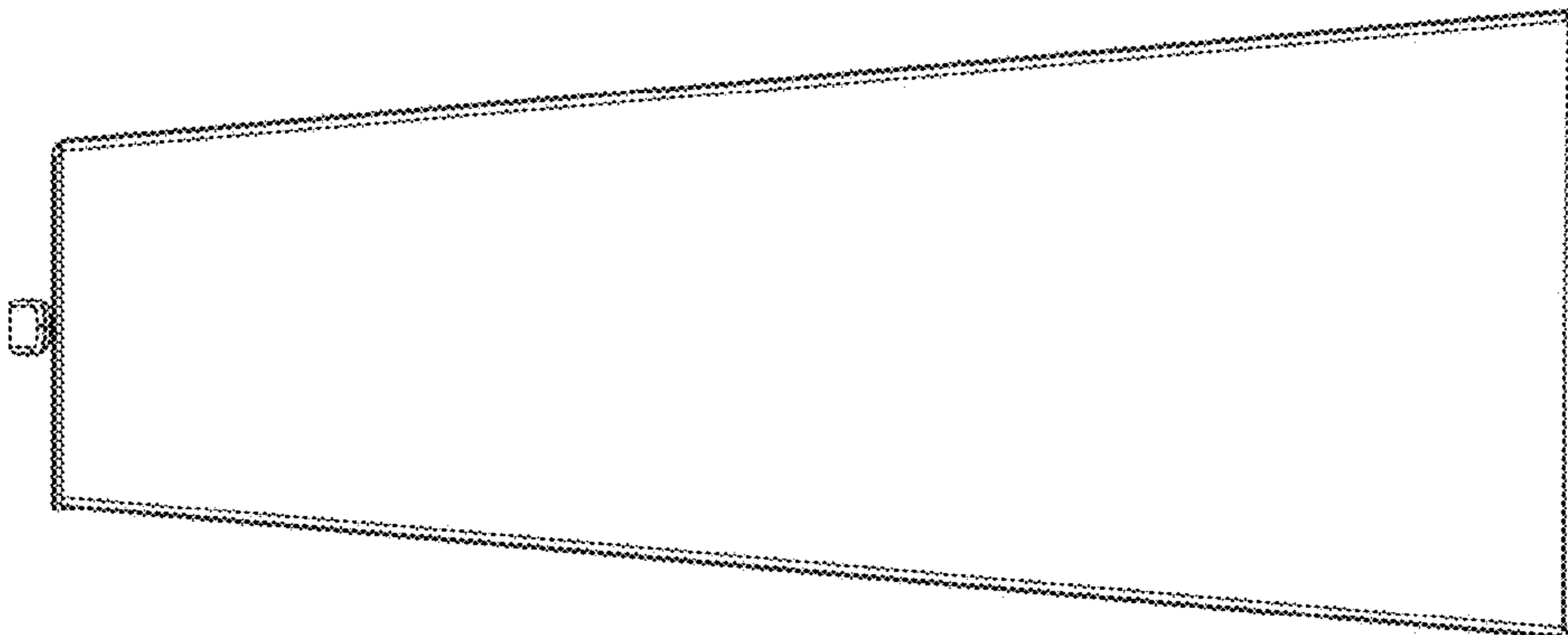


FIG. 4

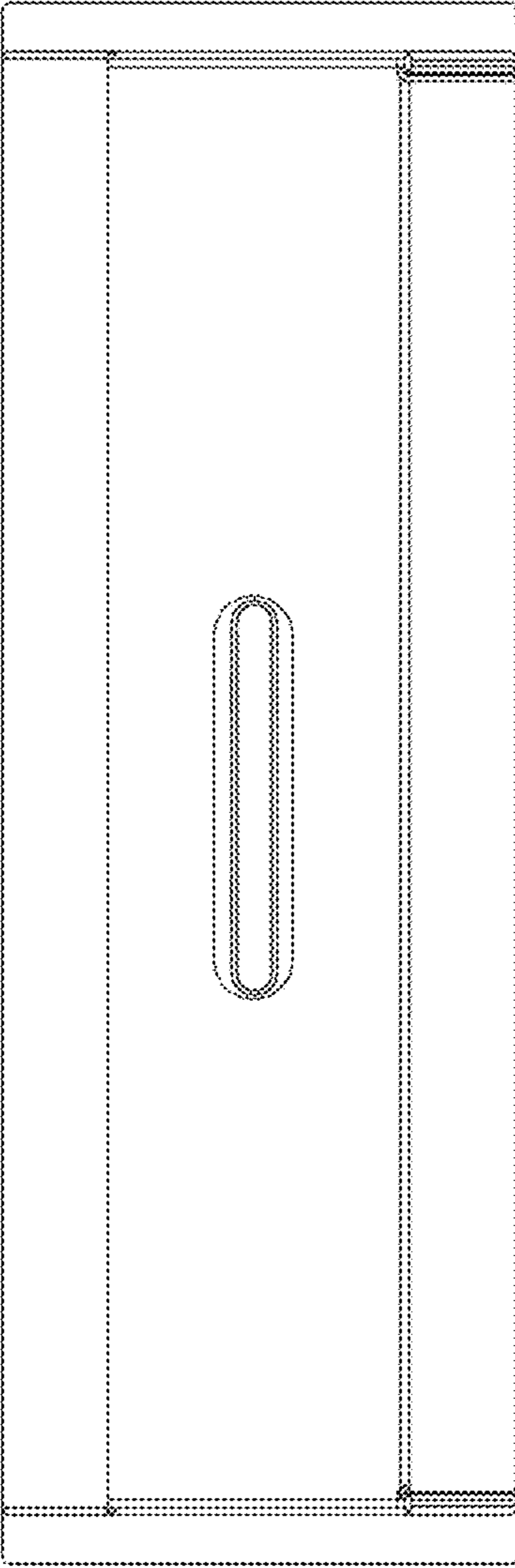
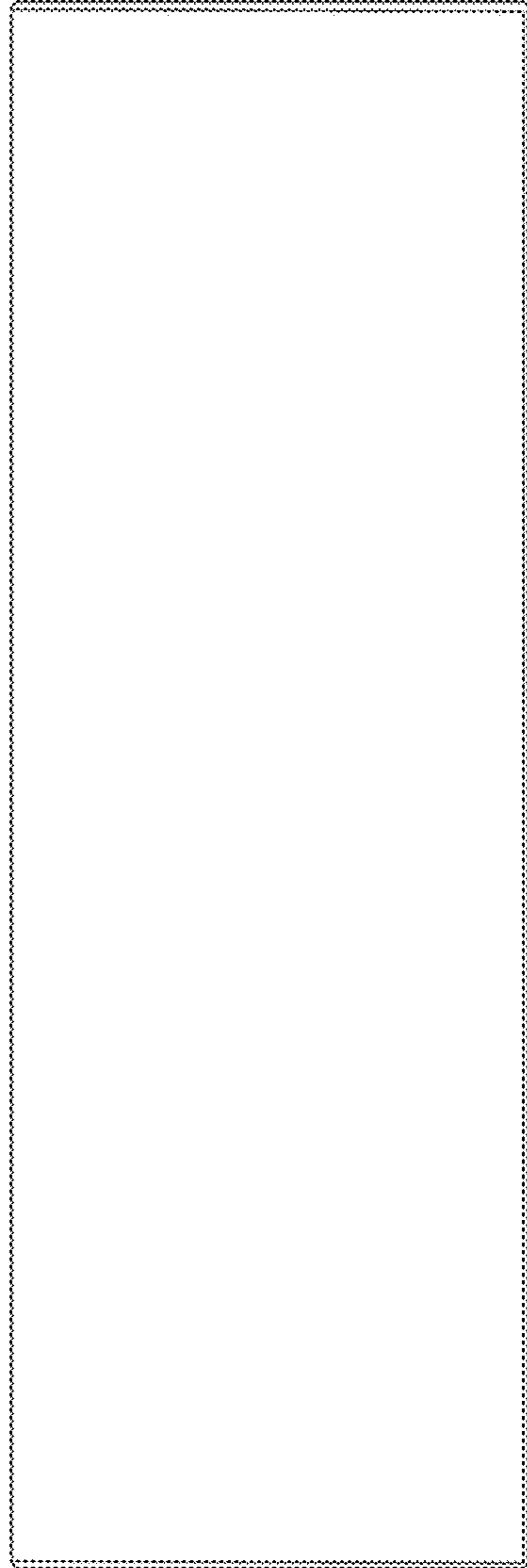


FIG. 6



**FIG. 7**