



US00D692752S

(12) **United States Design Patent**
Tuppen

(10) **Patent No.:** **US D692,752 S**

(45) **Date of Patent:** **** Nov. 5, 2013**

(54) **CONTAINER**

(76) Inventor: **Mark Tuppen**, Crawley Down (GB)

(**) Term: **14 Years**

(21) Appl. No.: **29/429,991**

(22) Filed: **Aug. 20, 2012**

(30) **Foreign Application Priority Data**

Feb. 20, 2012 (GB) 4023550

(51) **LOC (9) Cl.** **09-03**

(52) **U.S. Cl.**
USPC **D9/431**

(58) **Field of Classification Search**
USPC D9/414-416, 418, 420-424, 430-433,
D9/434, 455-456, 761; D7/601-602;
229/100, 101, 102.5, 103, 106-112,
229/114, 117.12-117.15, 120, 121, 124,
229/161, 162.1, 163, 164.2, 182.1, 406,
229/407; 206/38

See application file for complete search history.

(56) **References Cited**

U.S. PATENT DOCUMENTS

2,222,211 A * 11/1940 Arneson 206/170
2,333,560 A * 11/1943 Gray 206/168
3,003,678 A * 10/1961 Chase 229/117.13
3,123,278 A * 3/1964 Morgan et al. 229/117.13
D242,901 S * 1/1977 Lohrbach D9/432
4,399,939 A * 8/1983 Tunick 229/117.14

D394,209 S * 5/1998 Millet D9/430
D412,842 S * 8/1999 Clarizio D9/415
D421,898 S * 3/2000 Strange D9/753
6,036,085 A * 3/2000 Tsao 229/117.14
D475,916 S * 6/2003 Taylor D9/600
D508,649 S * 8/2005 Ruiiland et al. D9/430
D576,482 S * 9/2008 DeBusk D9/416
7,617,969 B2 * 11/2009 Oliveira 229/117.15
7,654,441 B2 * 2/2010 Billen 229/116.4
D620,354 S * 7/2010 Block D9/433
D650,274 S * 12/2011 Neumann D9/433

* cited by examiner

Primary Examiner — Susan Bennett Hattan

Assistant Examiner — Vy Koenig

(74) *Attorney, Agent, or Firm* — Nelson Mullins Riley & Scarborough LLP; Anthony A. Laurentano

(57) **CLAIM**

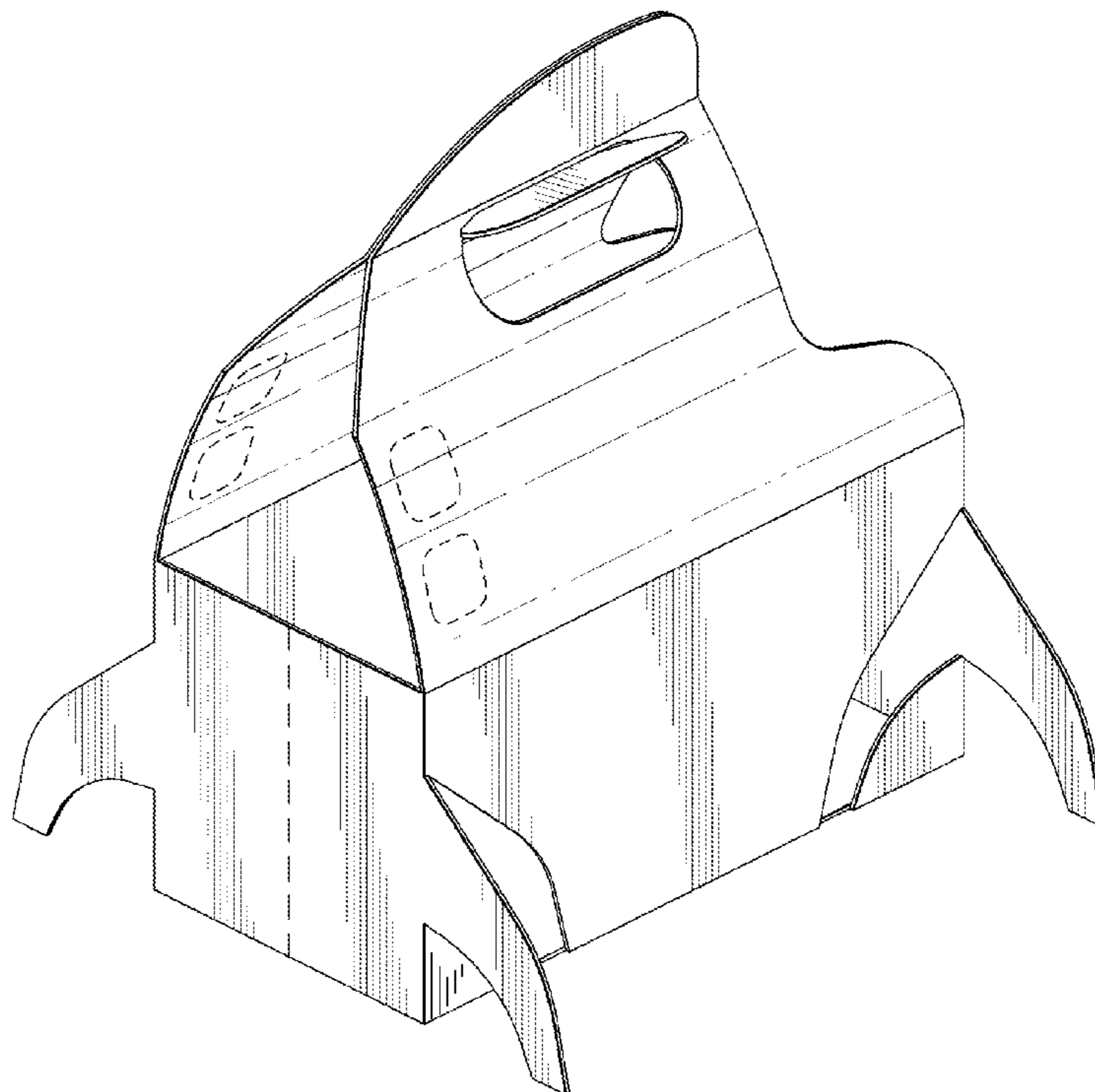
The ornamental design for a container, as shown and described.

DESCRIPTION

FIG. 1 is a perspective view of the container;
FIG. 2 is a front view of the container;
FIG. 3 is a back view of the container;
FIG. 4 is a left side view of the container;
FIG. 5 is a right side view of the container;
FIG. 6 is a top view of the container; and,
FIG. 7 is a bottom view of the container.

The details shown in broken lines in the Figures show unclaimed subject matter only and do not form part of the claimed ornamental design.

1 Claim, 7 Drawing Sheets



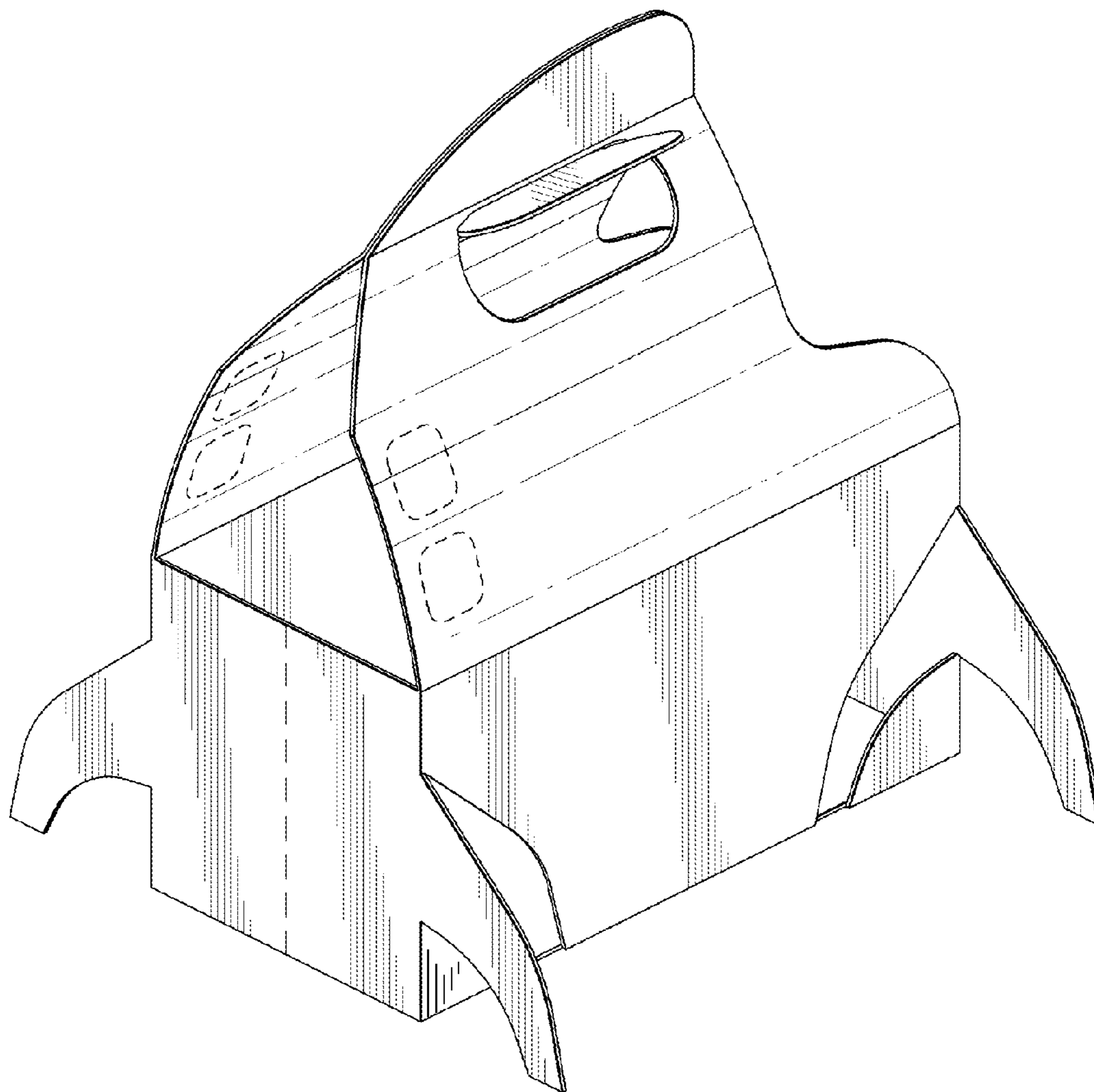


Fig. 1

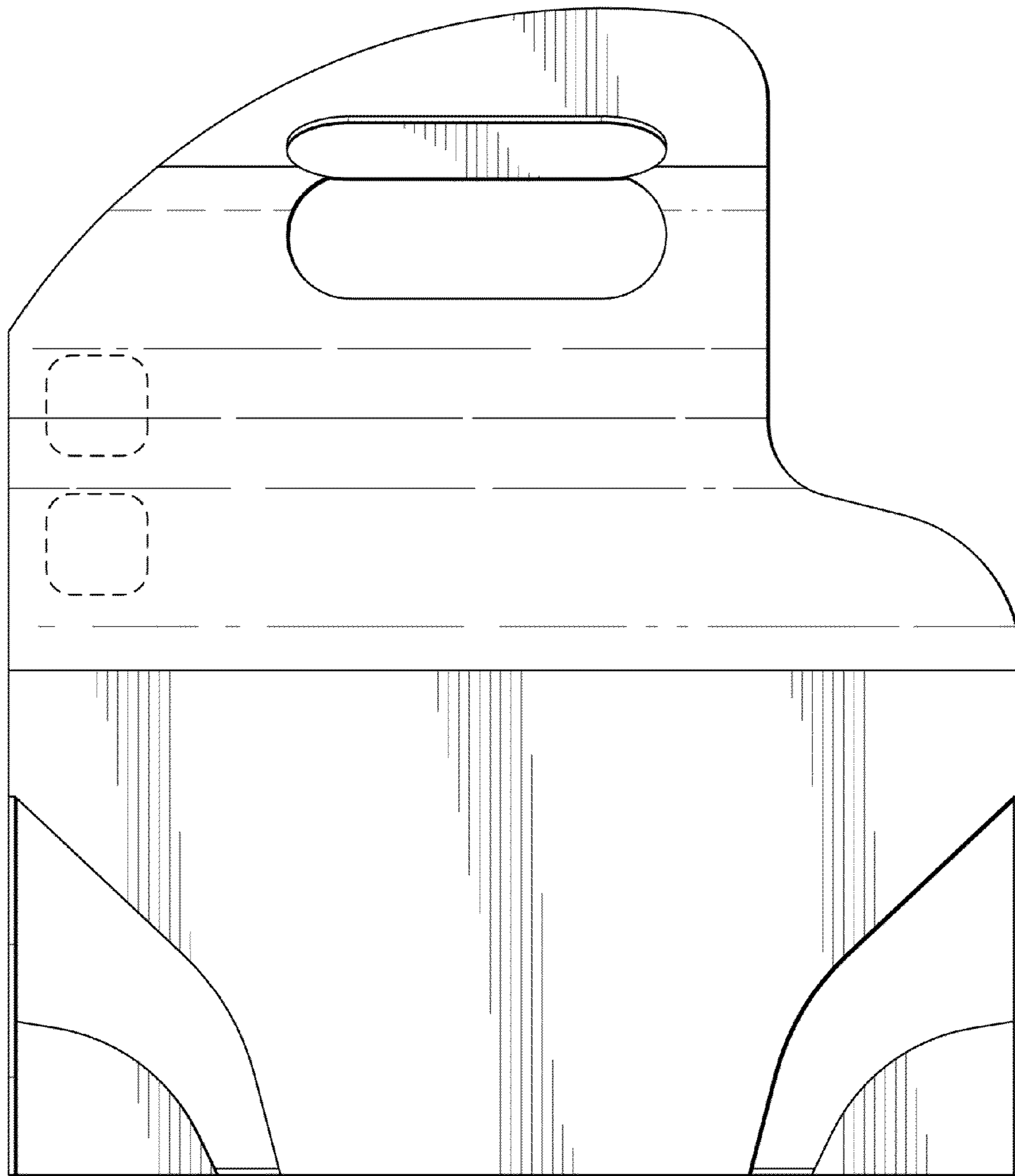


Fig. 2

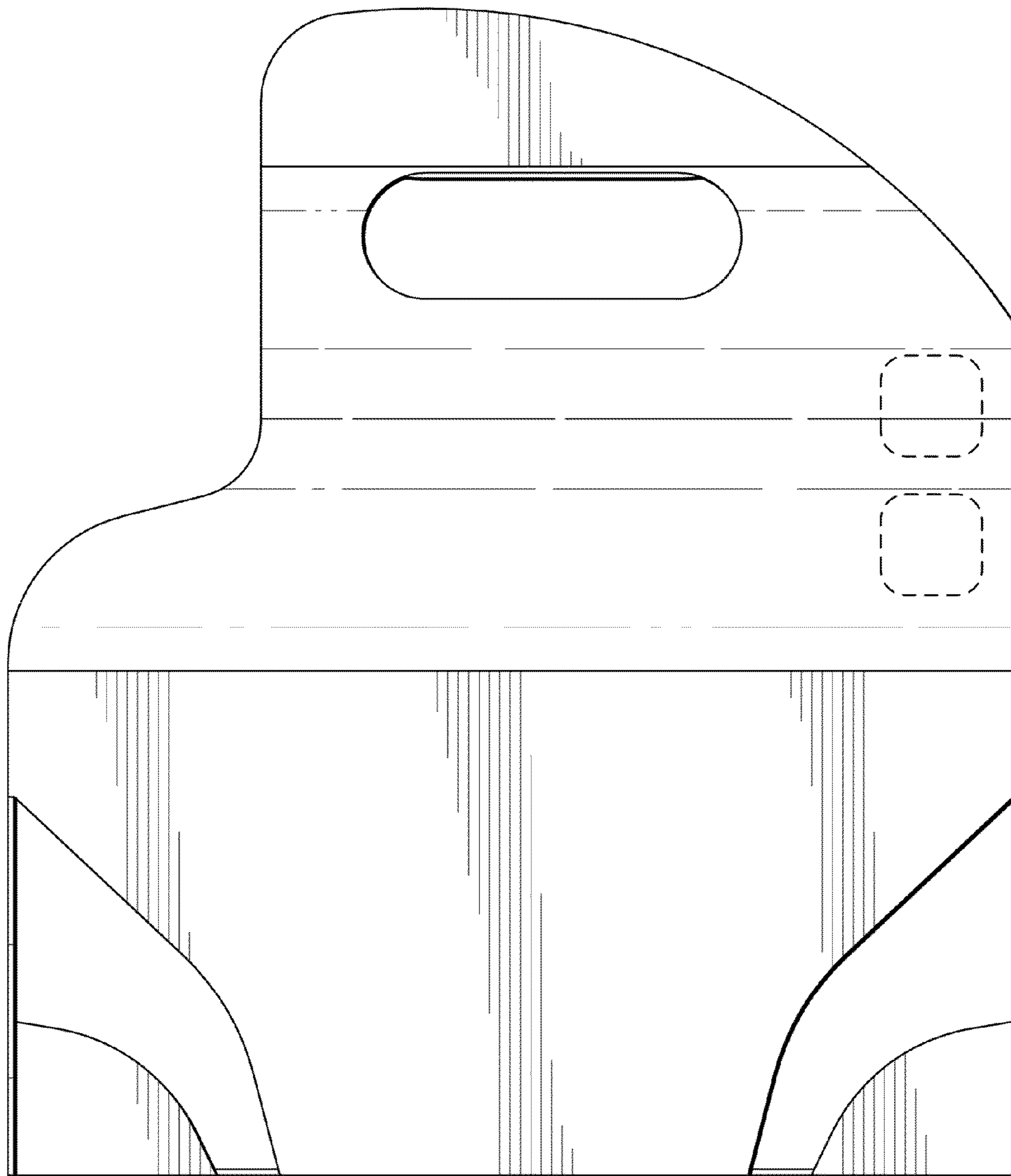


Fig. 3

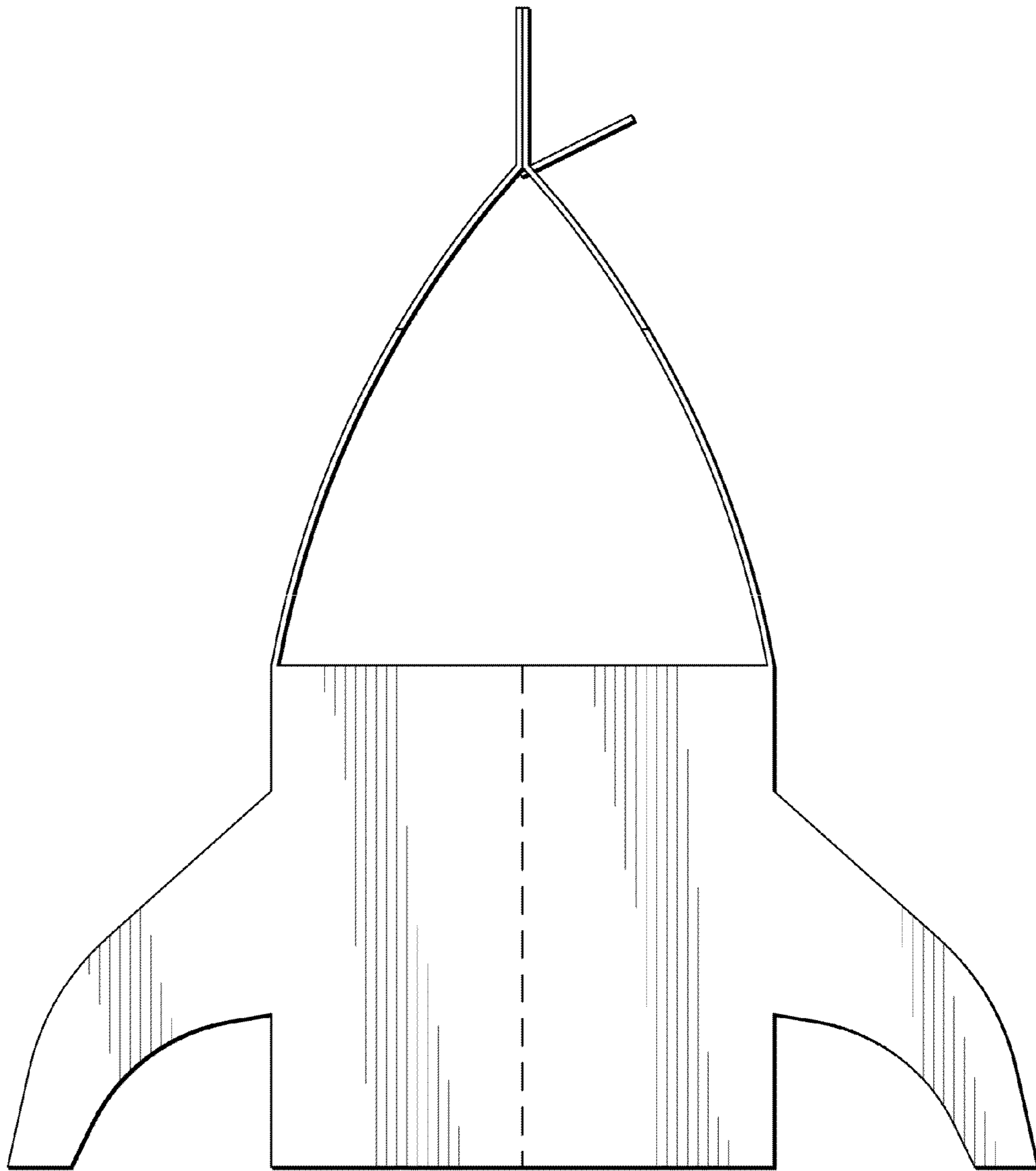


Fig. 4

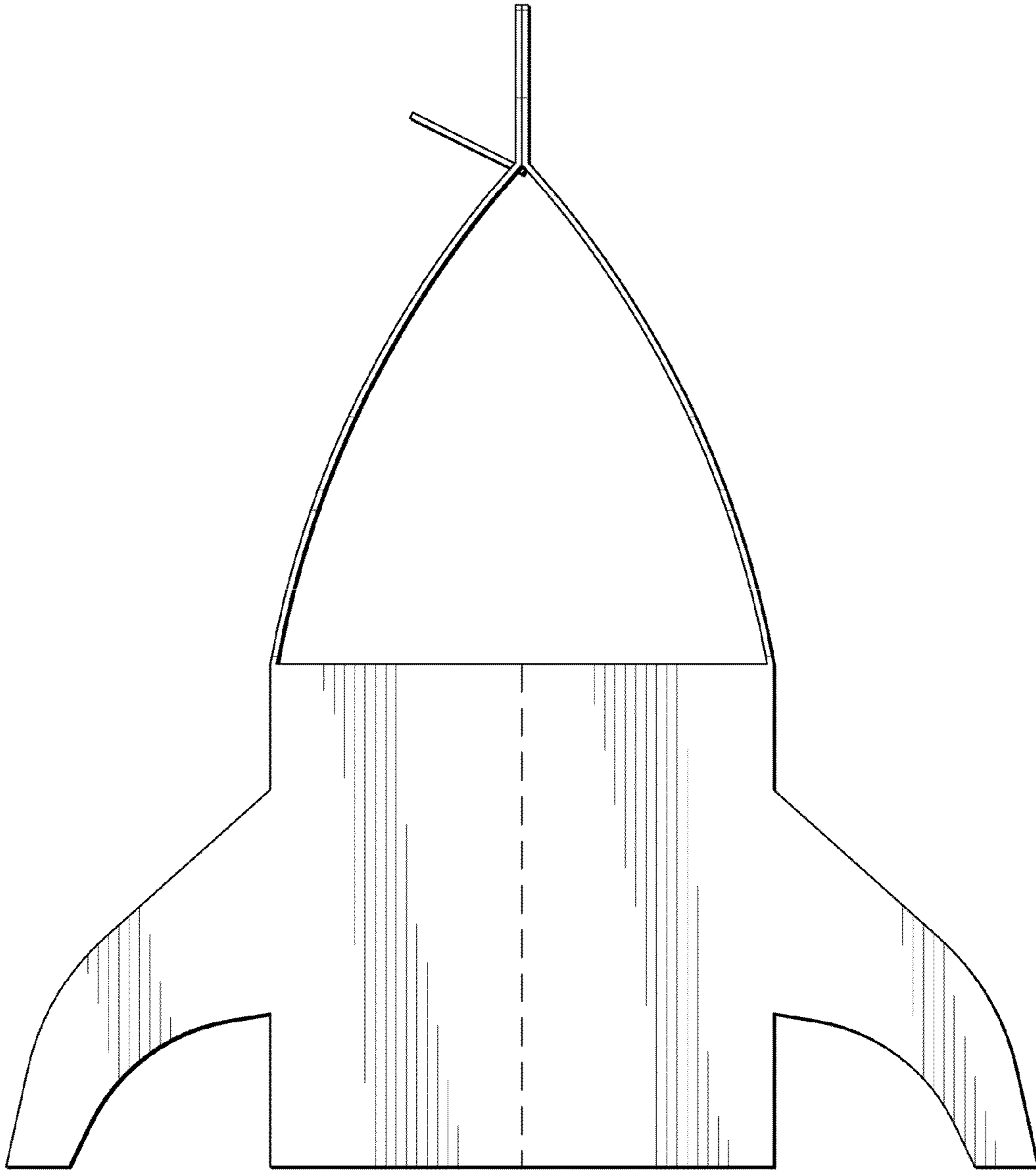


Fig. 5

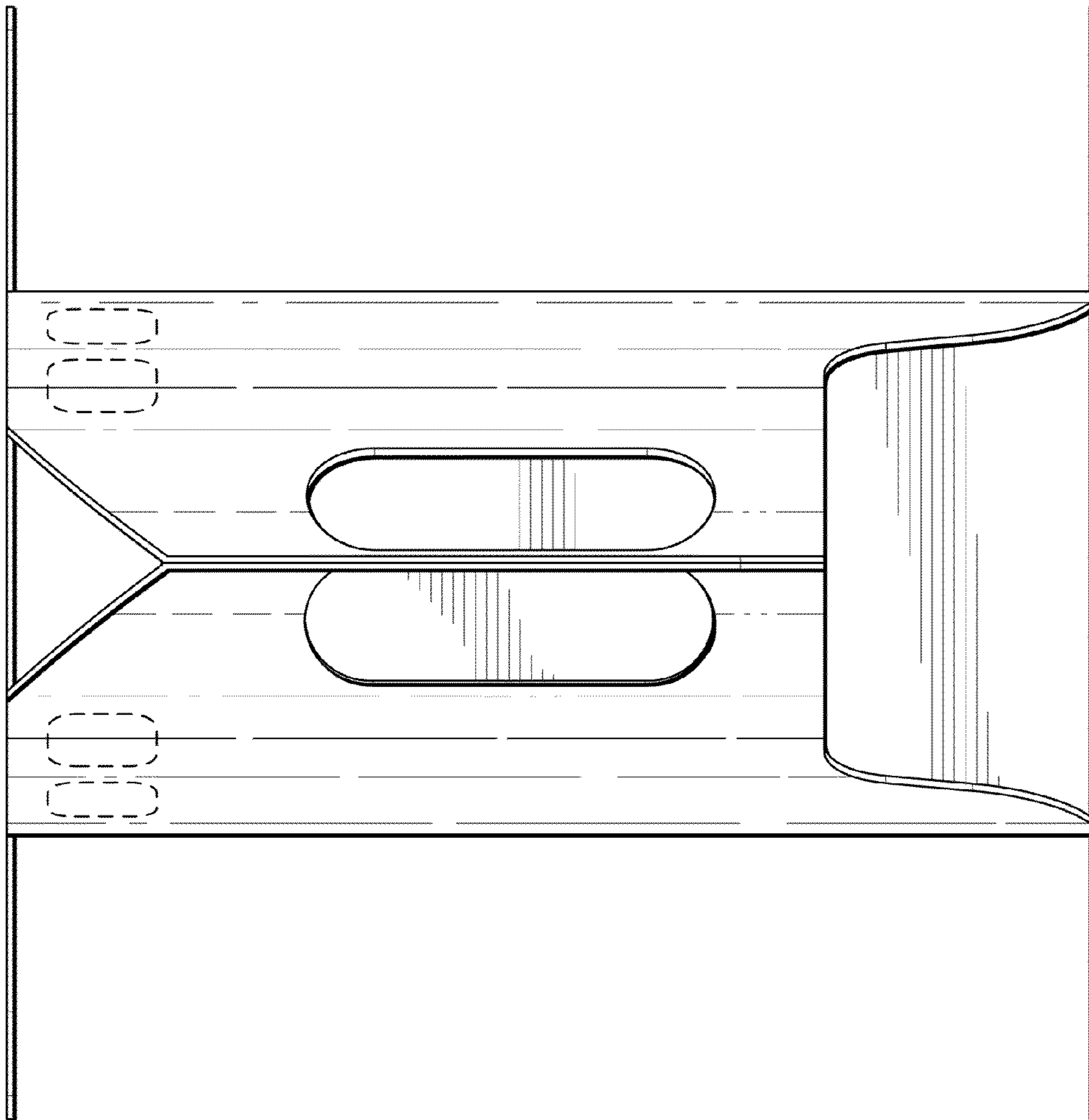


Fig. 6

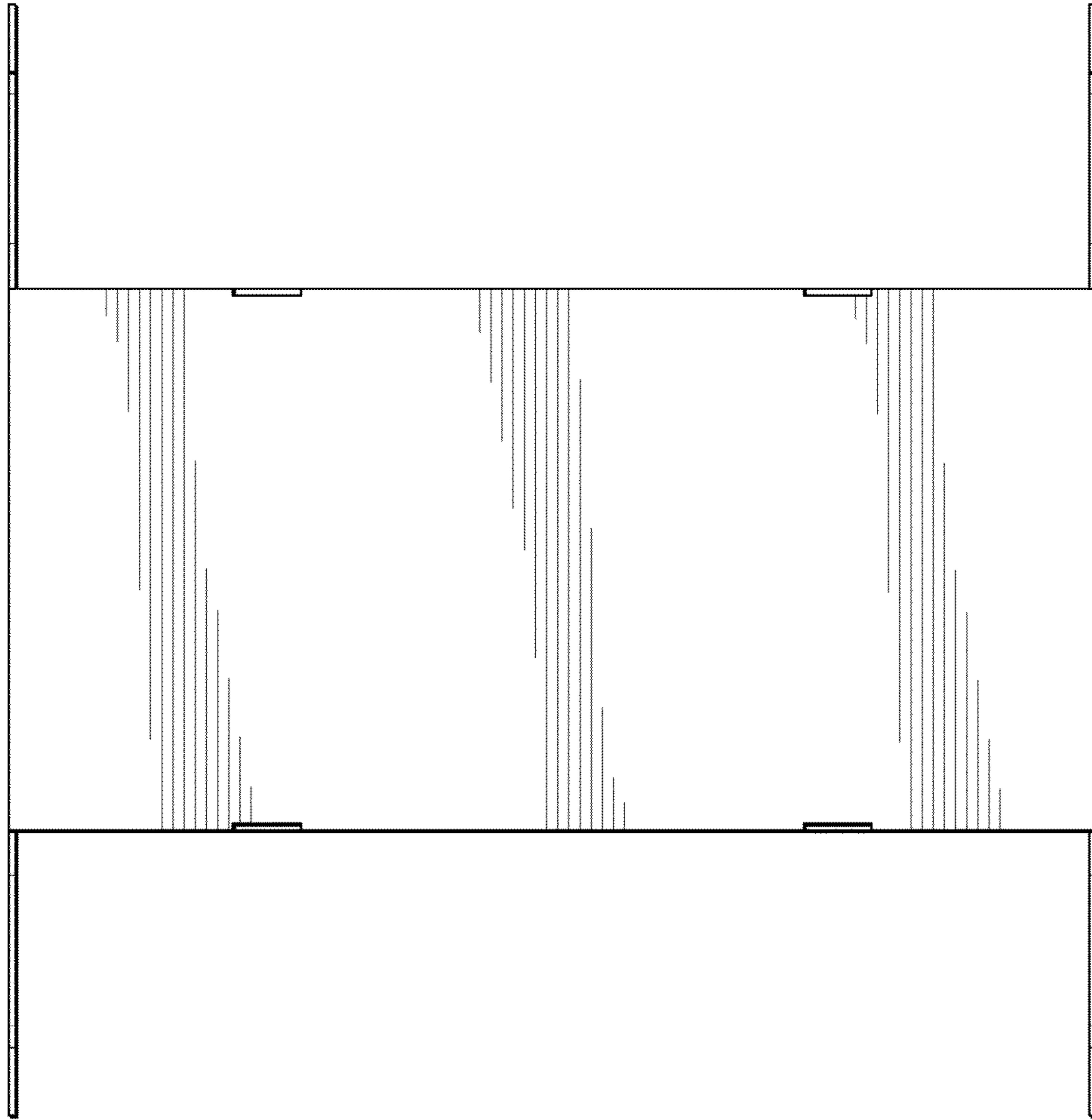


Fig. 7