



US00D692750S

(12) **United States Design Patent**
Ehde et al.

(10) **Patent No.:** **US D692,750 S**
(45) **Date of Patent:** **** Nov. 5, 2013**

- (54) **WIPER BLADE PACKAGE**
- (71) Applicant: **Trico Products Corporation**, Rochester Hills, MI (US)
- (72) Inventors: **Daniel Ehde**, Ortonville, MI (US);
Kevin ODowd, Rochester Hills, MI (US)
- (73) Assignee: **Trico Products Corporation**, Rochester Hills, MI (US)
- (**) Term: **14 Years**
- (21) Appl. No.: **29/437,309**
- (22) Filed: **Nov. 15, 2012**
- (51) **LOC (9) Cl.** **09-03**
- (52) **U.S. Cl.**
USPC **D9/425**; D9/415; D9/420
- (58) **Field of Classification Search**
USPC D9/715, 721, 722, 737, 415, 418,
D9/420-426, 430, 431, 432; 206/461-471,
206/486, 349-383, 775-783, 806, 822
See application file for complete search history.

(56) **References Cited**

U.S. PATENT DOCUMENTS

1,152,471 A	9/1915	Anthony	
D184,213 S	1/1959	Despres	
D200,555 S	3/1965	Iwanski	
3,363,755 A	1/1968	Chaurd	
D241,014 S	8/1976	Barnhart et al.	
D242,326 S	11/1976	Thorman et al.	
D251,896 S	5/1979	Nissen	
4,202,485 A	5/1980	Fremion	
4,283,001 A	8/1981	Meyers	
D306,698 S *	3/1990	Garcia D9/424
5,027,947 A *	7/1991	Reighart 206/335
D327,013 S	6/1992	Reighart	
D337,206 S	7/1993	Crawford	

D347,170 S	5/1994	Due et al.	
5,379,895 A	1/1995	Foslien	
D357,626 S	4/1995	Snow et al.	
5,417,341 A	5/1995	Petrickis et al.	
D360,132 S *	7/1995	Ripley D9/423

(Continued)

FOREIGN PATENT DOCUMENTS

JP 07251862 A 10/1995

OTHER PUBLICATIONS

Notice of References for U.S. Patent No. D658,494 on Dec. 16, 2011.

Primary Examiner — Thomas Johannes

(74) *Attorney, Agent, or Firm* — Howard & Howard Attorneys PLLC

(57) **CLAIM**

The ornamental design for a wiper blade package, as shown and described.

DESCRIPTION

FIG. 1 is a perspective view of a wiper blade package, showing our new design, in a closed condition inserted within its sleeve;

FIG. 2 is a perspective view thereof, separated from its sleeve;

FIG. 3 is a top view thereof;

FIG. 4 is a bottom view thereof;

FIG. 5 is an end view thereof;

FIG. 6 is view of the opposite end thereof;

FIG. 7 is a side view thereof;

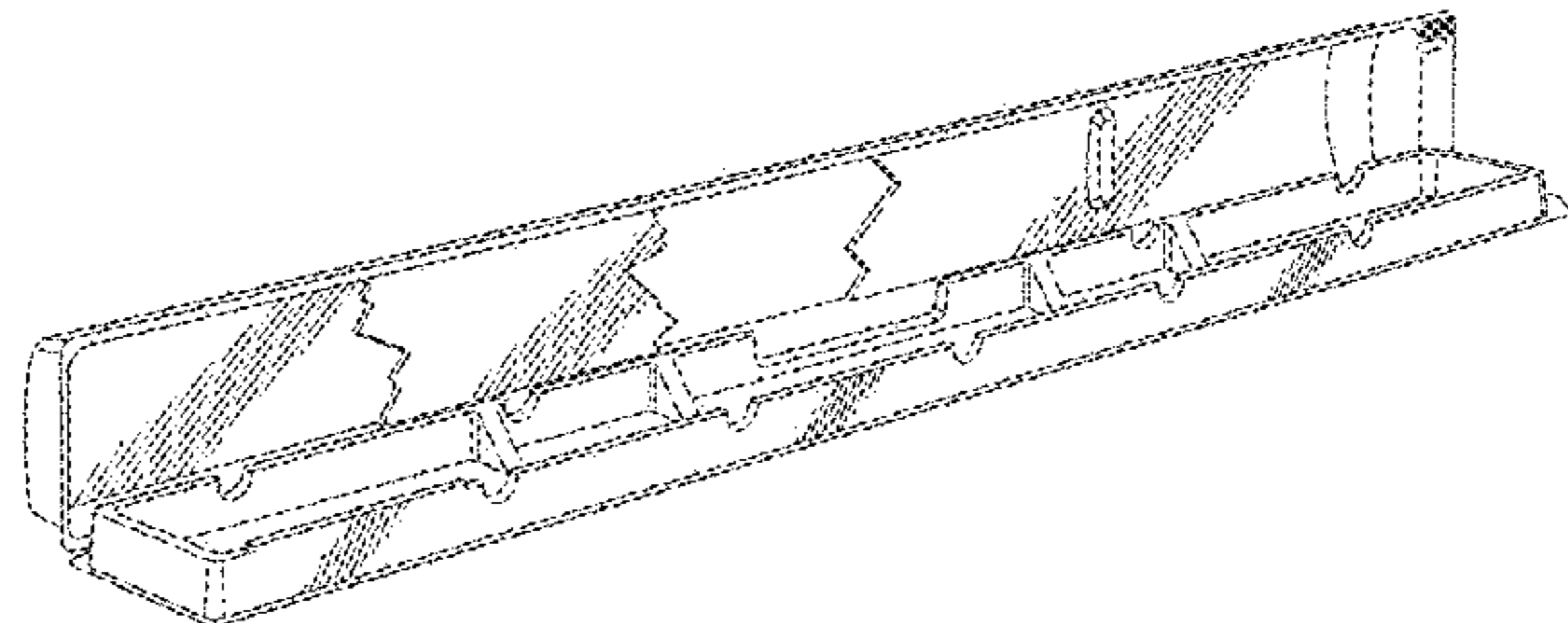
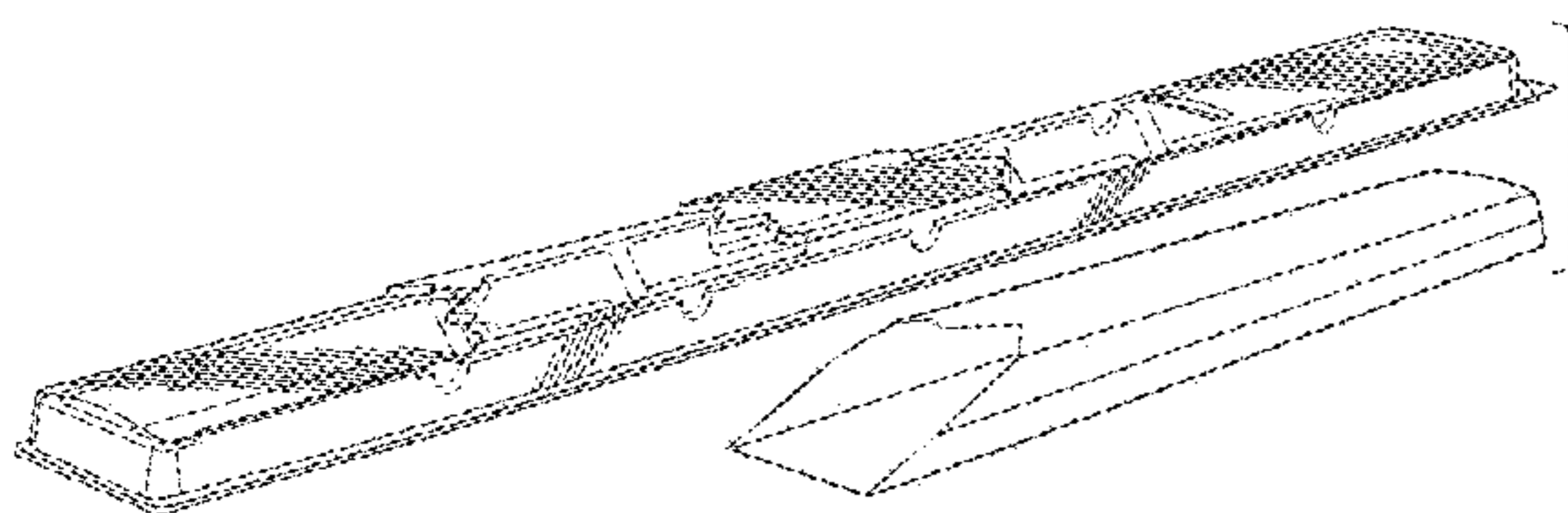
FIG. 8 is a view of the opposite side thereof;

FIG. 9 is a perspective view of a wiper blade package, showing the internal packaging, in an open condition without a sleeve for clarity of illustration;

FIG. 10 is a top view thereof; and,

FIG. 11 is a bottom view thereof.

1 Claim, 5 Drawing Sheets



(56)

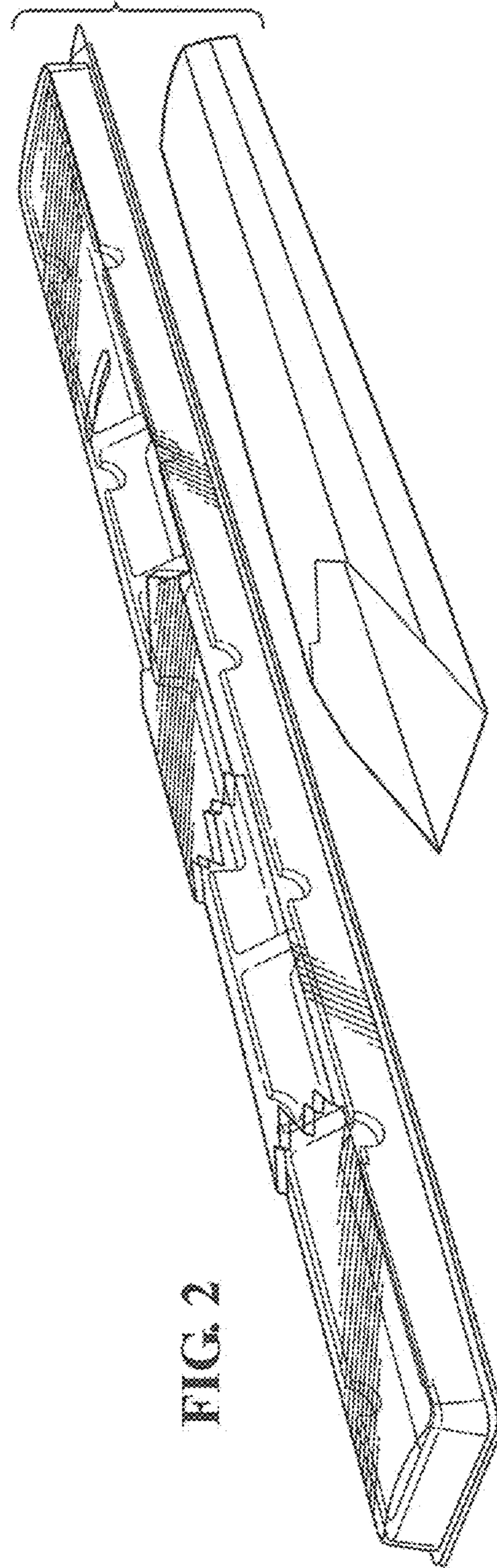
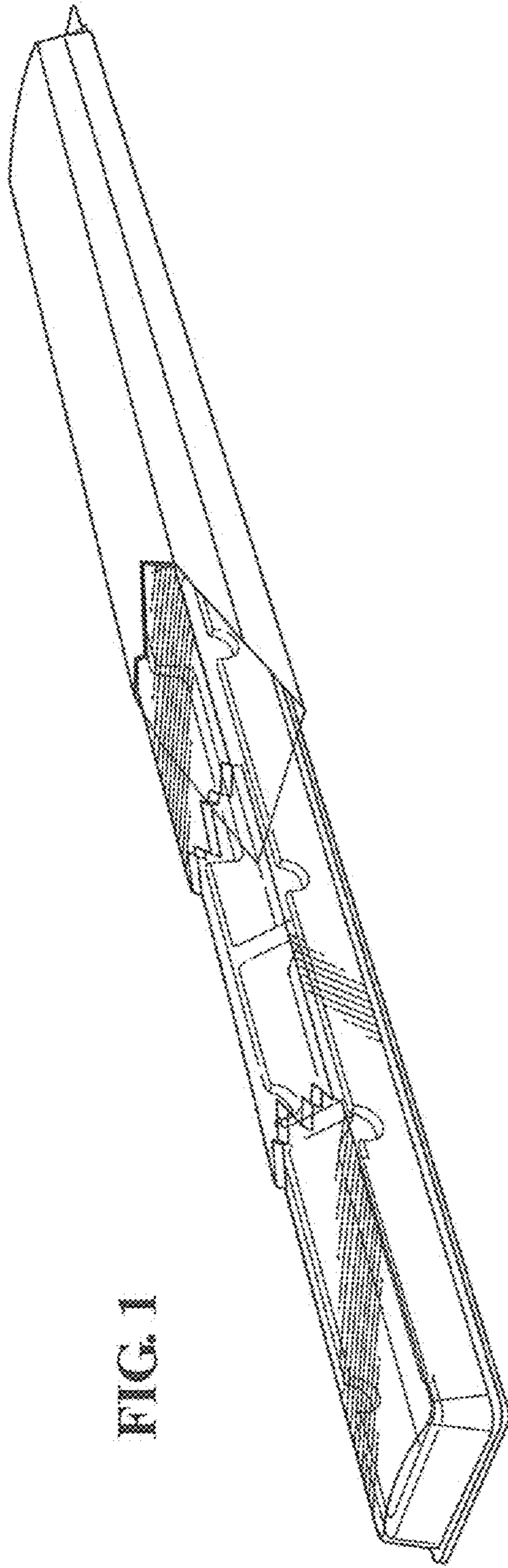
References Cited

U.S. PATENT DOCUMENTS

D368,027 S 3/1996 Baker
 D389,401 S 1/1998 Holley, Jr.
 5,772,031 A 6/1998 Landis
 D396,631 S 8/1998 DuGrenier et al.
 5,873,514 A 2/1999 Brooks
 D406,755 S 3/1999 Garganese
 5,899,334 A 5/1999 Domerchie et al.
 D413,261 S 8/1999 Yerich
 6,070,723 A 6/2000 Lewis
 D430,015 S 8/2000 Himbert et al.
 D434,226 S 11/2000 Strohmeier
 6,247,590 B1 6/2001 Baker
 6,279,746 B1 8/2001 Hussaini et al.
 6,766,906 B2 7/2004 Charng
 6,779,658 B2 8/2004 Polloni et al.
 7,032,755 B2 4/2006 Martins

7,036,664 B2 5/2006 Lee et al.
 D540,163 S 4/2007 Claussen
 D552,486 S 10/2007 Herring et al.
 D554,991 S 11/2007 Donnelly
 D573,457 S 7/2008 Park
 D575,146 S 8/2008 Lee
 7,690,509 B2 4/2010 Herring et al.
 7,857,133 B2 12/2010 Skurdalsvold et al.
 D632,557 S 2/2011 Clamagirand et al.
 7,926,659 B2 4/2011 Kim
 7,975,849 B2 * 7/2011 Kim 206/470
 D658,494 S * 5/2012 Raimer et al. D9/431
 D669,774 S * 10/2012 Yamaguchi D9/418
 D671,827 S * 12/2012 Raimer et al. D9/415
 8,328,011 B2 * 12/2012 Skurdalsvold et al. 206/335
 2005/0252812 A1 11/2005 Lewis
 2007/0017842 A1 1/2007 Clamagirand et al.
 2008/0128478 A1 6/2008 Quadrelli

* cited by examiner



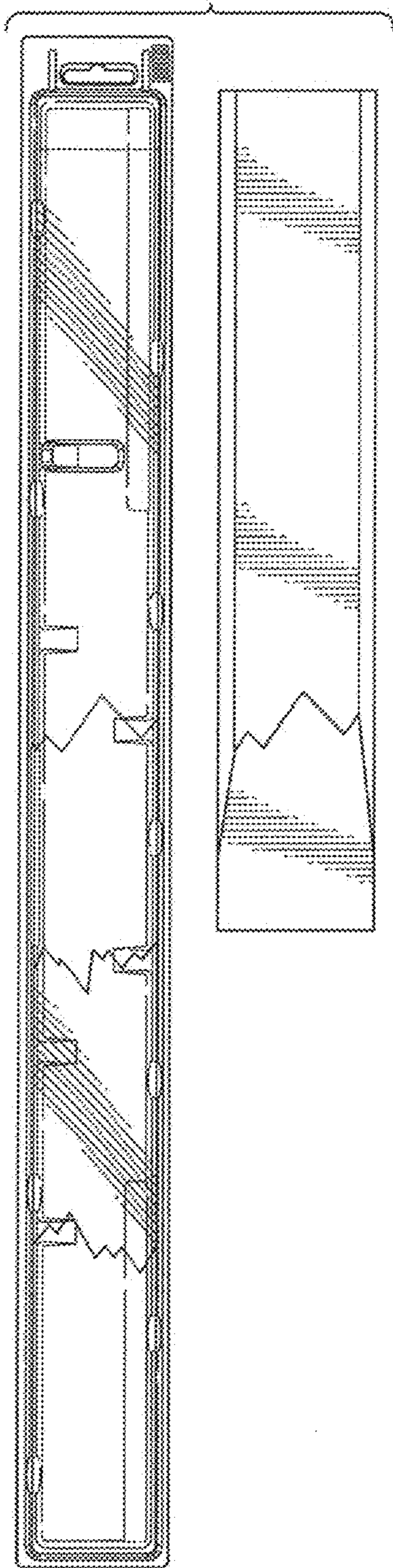


FIG. 3

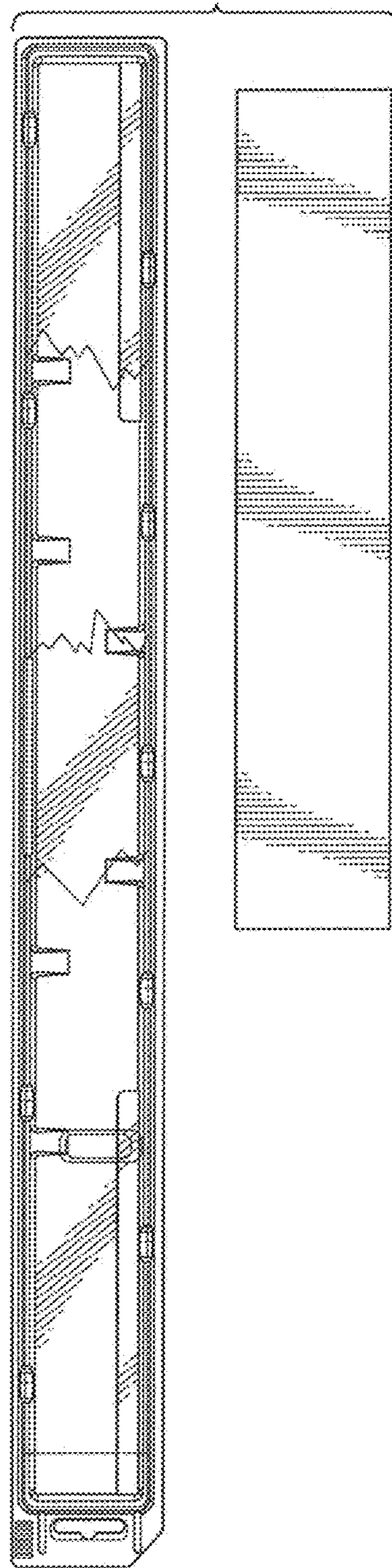


FIG. 4



FIG. 5

FIG. 6

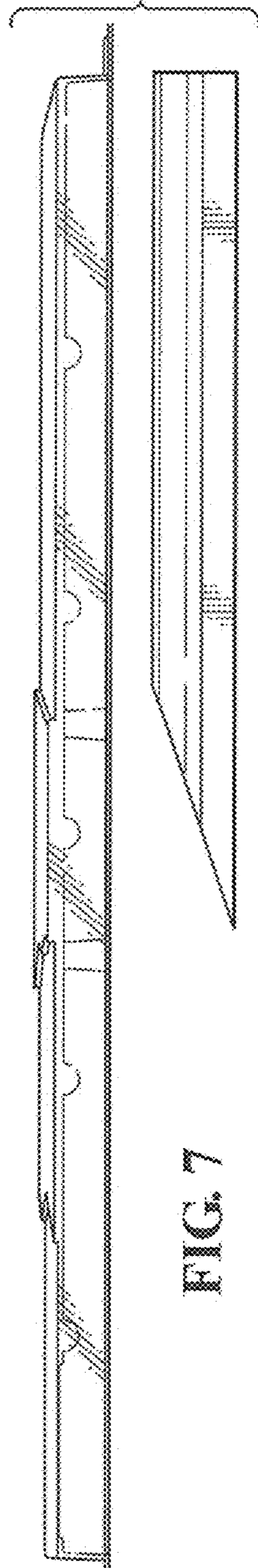


FIG. 7

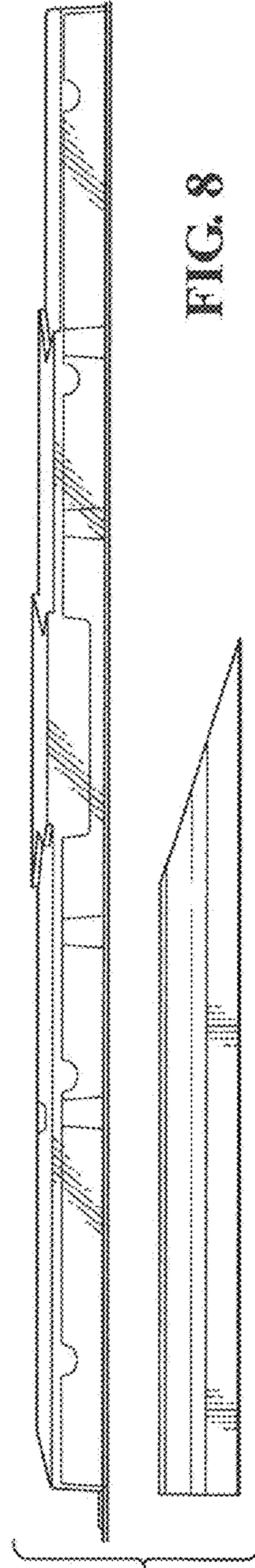


FIG. 8

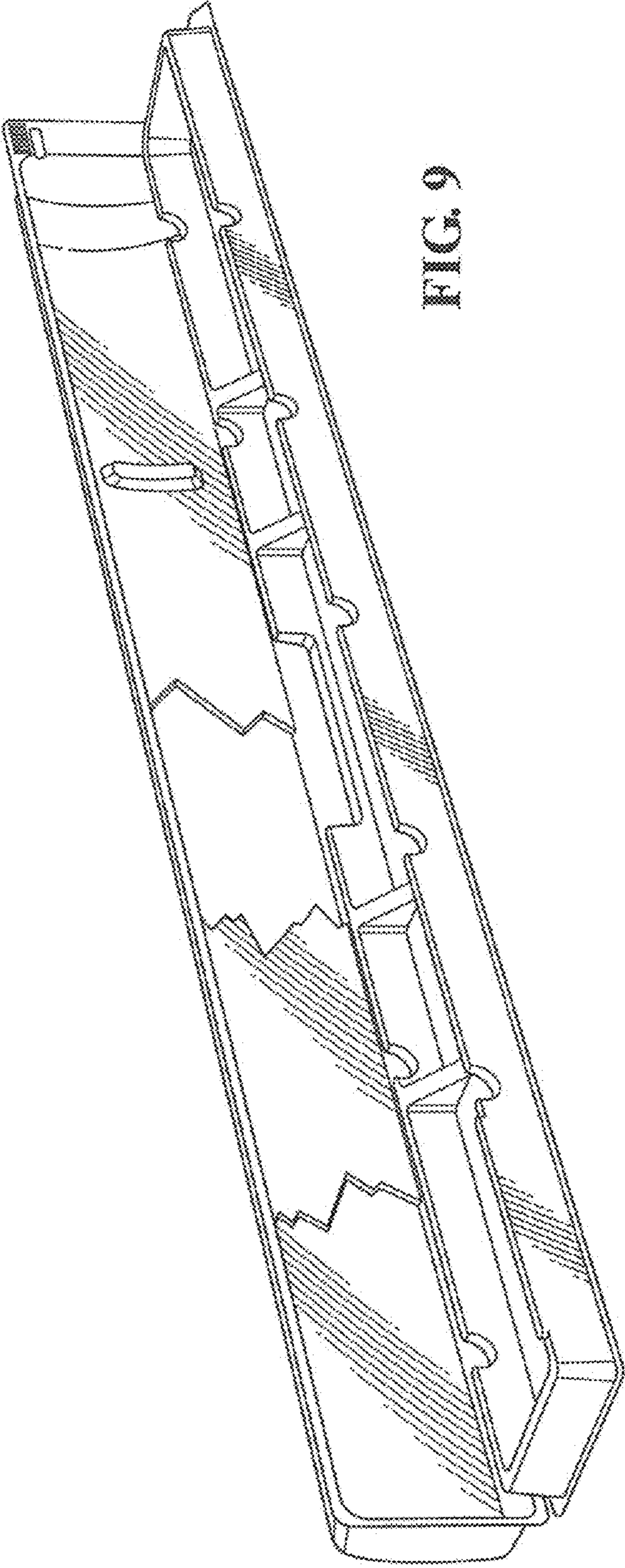


FIG. 9

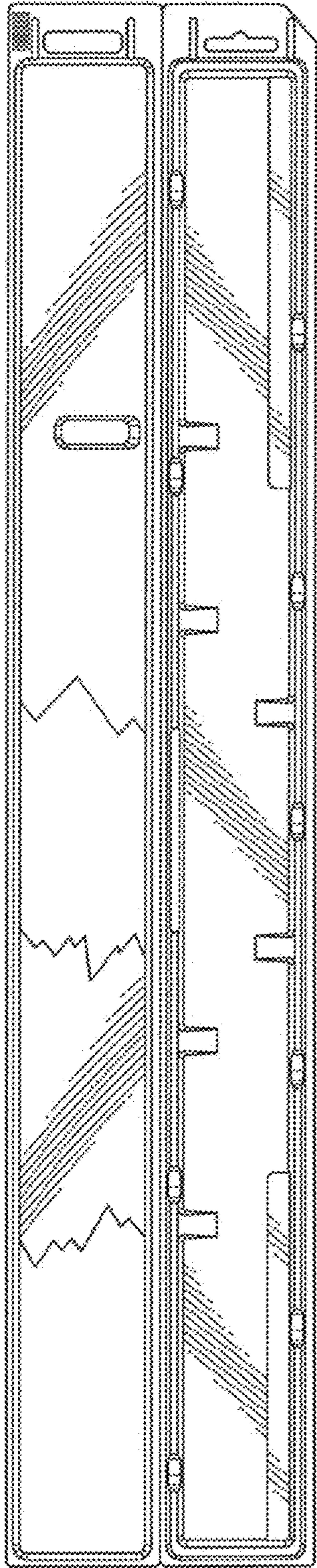


FIG. 10

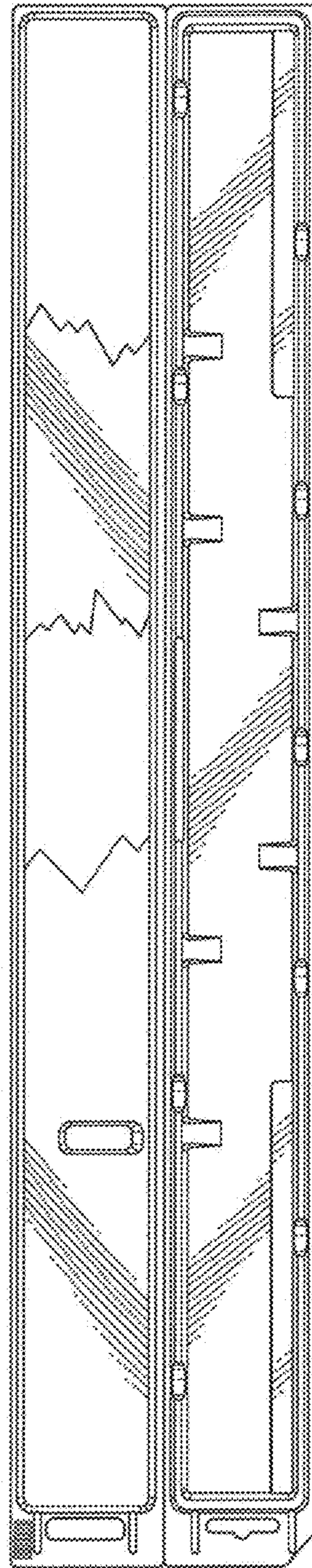


FIG. 11