



US00D692746S

(12) **United States Design Patent**  
**Lawson et al.**

(10) **Patent No.:** **US D692,746 S**  
(45) **Date of Patent:** **\*\* Nov. 5, 2013**

- (54) **BRIDGING CLIP**
- (71) Applicant: **Clarkwestern Dietrich Building Systems LLC**, West Chester, OH (US)
- (72) Inventors: **Thomas Jay Lawson**, West Chester, OH (US); **Gregg Allan Stahl**, Fort Wayne, IN (US); **John J. Collins, Jr.**, Lebanon, OH (US); **Thomas Joseph Atkinson**, McDonough, GA (US); **Gregory S. Ralph**, Springboro, OH (US)
- (73) Assignee: **Clarkwestern Dietrich Building Systems LLC**, West Chester, OH (US)

2,918,995 A	12/1959	Kruger
3,083,794 A	4/1963	Stovail
3,126,928 A	3/1964	McMillan
3,299,839 A	1/1967	Nordbak
3,322,447 A	5/1967	Biggs
3,482,369 A	12/1969	Burke
3,490,604 A	1/1970	Klein
3,606,227 A	9/1971	Klein
3,653,172 A	4/1972	Schwartz
3,778,952 A	12/1973	Soucy
3,858,988 A	1/1975	Cohen
3,897,163 A	7/1975	Holmes
4,018,020 A	4/1977	Sauer et al.
4,027,453 A	6/1977	Bridge
4,043,689 A	8/1977	Spencer
4,075,810 A	2/1978	Zakrzewski et al.
4,128,979 A	12/1978	Price
4,140,417 A	2/1979	Danielsen et al.

(\*\*) Term: **14 Years**

(21) Appl. No.: **29/448,588**

(22) Filed: **Mar. 13, 2013**

(51) **LOC (9) Cl.** ..... **08-08**

(52) **U.S. Cl.**  
USPC ..... **D8/394**

(58) **Field of Classification Search**  
USPC ..... D8/354, 356, 371, 394-396; D19/65, D19/86; D24/128; 248/74.2, 215, 227.1, 49, 248/300, 301, 316.7, 51, 489; 24/570, 3.12; D32/61; D11/78.1

See application file for complete search history.

(56) **References Cited**

**U.S. PATENT DOCUMENTS**

529,154 A	11/1894	Banks
719,191 A	1/1903	Collins
992,941 A	5/1911	Danielson
1,101,745 A	6/1914	Jones
1,346,426 A	7/1920	Sherbner
1,791,197 A	2/1931	Dickson
2,873,828 A	2/1959	Zitomer
2,900,677 A	8/1959	Yetter
2,905,426 A	9/1959	Ross

(Continued)

*Primary Examiner* — John Windmuller

(74) *Attorney, Agent, or Firm* — Frost Brown Todd LLC

(57) **CLAIM**

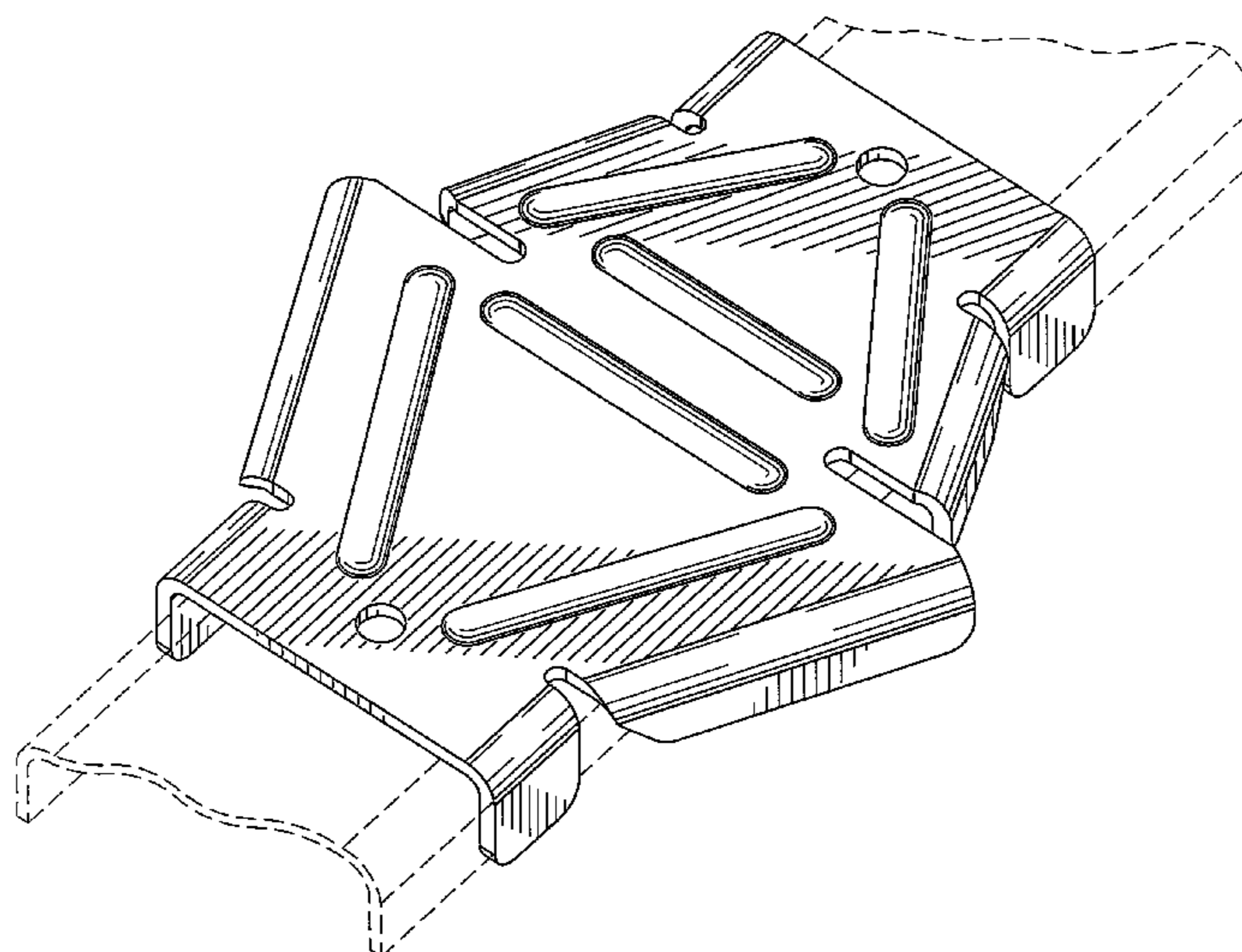
The ornamental design for a bridging clip, as shown and described.

**DESCRIPTION**

FIG. 1 is a top perspective view of a bridging clip, showing our new design;  
 FIG. 2 is a bottom perspective view thereof;  
 FIG. 3 is a top plan view thereof;  
 FIG. 4 is a bottom plan view thereof;  
 FIG. 5 is a left elevation view thereof;  
 FIG. 6 is a right elevation view thereof;  
 FIG. 7 is a front elevation view thereof, wherein the bridging clip is in an inverted orientation; and,  
 FIG. 8 is a rear elevation view thereof, wherein the bridging clip is in an upright orientation.

The elongated channel shown in broken lines in FIG. 1 is unclaimed subject matter, and does not form a part of the claimed design.

**1 Claim, 8 Drawing Sheets**



(56)

References Cited

U.S. PATENT DOCUMENTS

4,174,911 A	11/1979	Maccario et al.	6,021,618 A	2/2000	Elderson	
4,208,851 A	6/1980	Sauer	6,164,028 A	12/2000	Hughes	
4,235,054 A	11/1980	Cable et al.	6,199,336 B1	3/2001	Poliquin	
4,246,736 A	1/1981	Kovar et al.	6,242,698 B1	6/2001	Baker, III et al.	
4,406,374 A	9/1983	Yedor	6,260,318 B1	7/2001	Herren	
4,426,822 A	1/1984	Gailey	6,290,214 B1 *	9/2001	DeSouza .....	256/69
4,428,172 A	1/1984	Larsson	6,301,854 B1	10/2001	Daudet et al.	
4,448,004 A	5/1984	Thorsell	6,315,137 B1	11/2001	Mulford	
4,464,074 A	8/1984	Green	6,418,695 B1	7/2002	Daudet	
4,516,874 A	5/1985	Yang et al.	D463,575 S	9/2002	Daudet	
4,522,009 A	6/1985	Fingerson	6,578,335 B2	6/2003	Poliquin	
4,586,841 A	5/1986	Hunter	6,644,603 B2	11/2003	Bailleux	
4,625,415 A	12/1986	Diamontis	6,662,520 B1	12/2003	Nelson	
4,693,047 A	9/1987	Menchetti	6,688,069 B2	2/2004	Zadeh	
4,791,766 A	12/1988	Egri, II	6,694,695 B2	2/2004	Collins	
4,809,476 A	3/1989	Satchell	6,701,689 B2	3/2004	diGirolamo	
4,840,005 A	6/1989	Cochrane	6,702,270 B1	3/2004	Reschke	
4,850,169 A	7/1989	Burkstrand et al.	6,708,460 B1	3/2004	Elderson	
4,858,407 A	8/1989	Smolik	6,739,562 B2	5/2004	Rice	
4,864,791 A	9/1989	Platt	6,792,733 B2	9/2004	Wheeler	
4,912,894 A	4/1990	Platt	6,920,734 B2	7/2005	Elderson	
4,914,878 A	4/1990	Tamaki et al.	7,017,310 B2	3/2006	Brunt	
4,916,877 A	4/1990	Platt	7,021,021 B2	4/2006	Saldana	
4,951,436 A	8/1990	Burkstrand et al.	7,104,024 B1	9/2006	diGirolamo et al.	
5,092,100 A	3/1992	Lambert et al.	7,159,369 B2	1/2007	Elderson	
5,127,760 A	7/1992	Brady	7,168,219 B2	1/2007	Elderson	
5,155,962 A	10/1992	Burkstrand et al.	7,174,690 B2	2/2007	Zadeh	
5,189,857 A	3/1993	Herren	D558,039 S *	12/2007	Skinner .....	D8/382
5,274,973 A	1/1994	Liang	D573,873 S *	7/2008	Wall .....	D8/354
5,287,664 A	2/1994	Schiller	7,398,621 B2	7/2008	Banta	
5,325,651 A	7/1994	Meyer et al.	7,503,150 B1	3/2009	diGirolamo et al.	
5,363,622 A	11/1994	Sauer	7,520,100 B1	4/2009	Herrman	
2,365,501 A	12/1994	Walstrom	7,559,519 B1	7/2009	Dragic	
5,403,110 A	4/1995	Sammann	7,596,921 B1	10/2009	diGirolamo et al.	
5,446,969 A	9/1995	Terenzoni	7,634,889 B1	12/2009	DiGirolamo et al.	
5,600,926 A	2/1997	Ehrlich	7,739,850 B2	6/2010	Daudet	
5,605,024 A	2/1997	Sucato et al.	7,836,657 B1	11/2010	diGirolamo	
5,632,128 A	5/1997	Agar	7,955,027 B2	6/2011	Nourian et al.	
5,664,392 A	9/1997	Mucha	8,011,160 B2	9/2011	Rice	
5,669,198 A	9/1997	Ruff	D648,249 S *	11/2011	Noble et al. ....	D12/159
5,671,580 A	9/1997	Chou	8,083,187 B2	12/2011	Bernard et al.	
5,682,935 A	11/1997	Bustamante	D657,891 S	4/2012	Jones	
5,697,725 A	12/1997	Ballash et al.	8,167,250 B2	5/2012	White	
5,720,138 A	2/1998	Johnson	8,205,402 B1	6/2012	diGirolamo	
5,784,850 A	7/1998	Elderson	D667,249 S *	9/2012	London .....	D6/553
5,876,006 A	3/1999	Sharp	D667,718 S *	9/2012	Preda .....	D8/354
5,899,041 A	5/1999	Durin	8,387,321 B2	3/2013	diGirolamo et al.	
5,904,023 A	5/1999	diGirolamo et al.	2003/0145537 A1	8/2003	Bailey	
5,921,411 A	7/1999	Merl	2003/0167722 A1	9/2003	Klein et al.	
5,943,838 A	8/1999	Madsen	2007/0251186 A1	11/2007	Rice	
5,964,071 A	10/1999	Sato	2011/0154770 A1	6/2011	Friis	
			2013/0104490 A1	5/2013	Daudet et al.	

\* cited by examiner

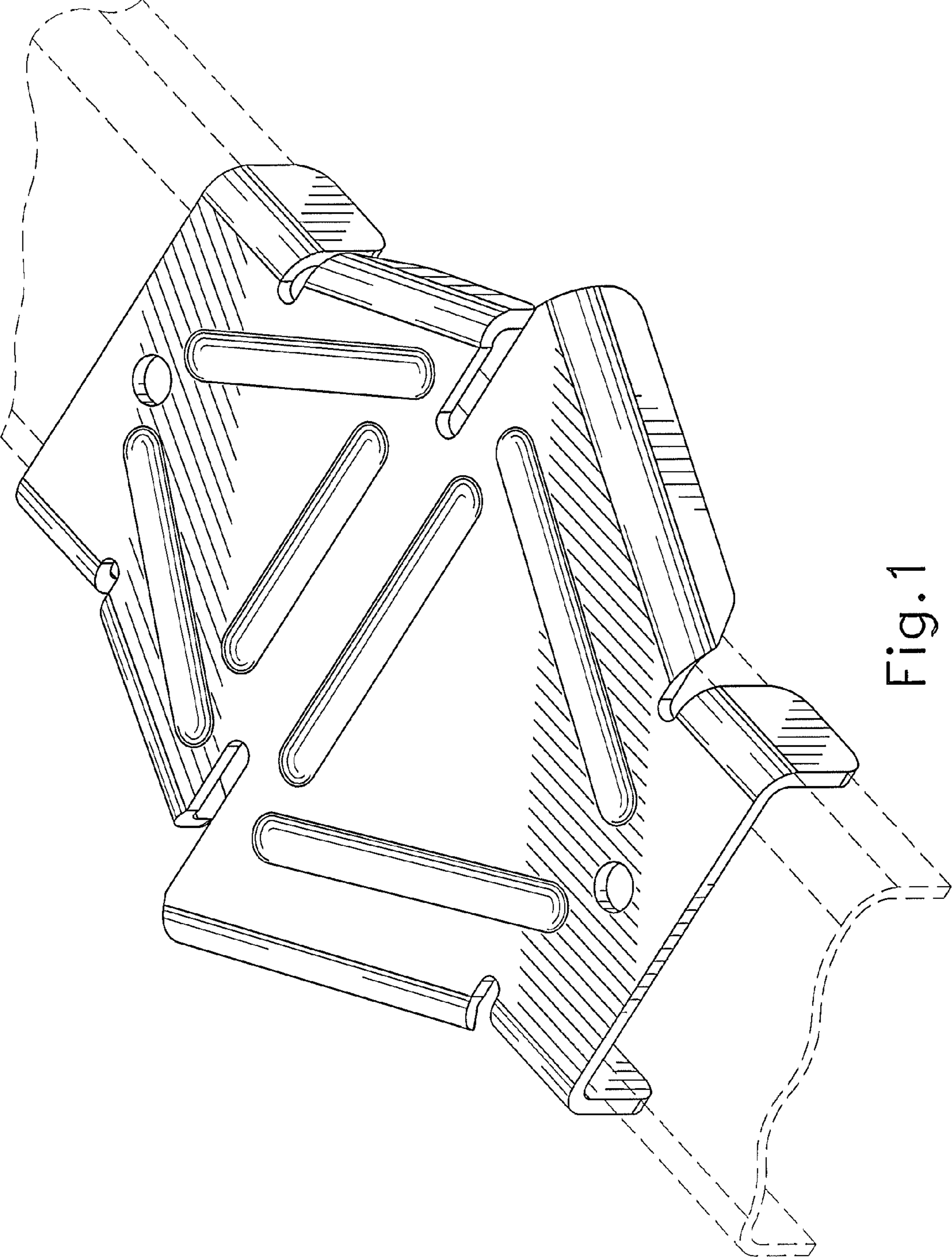


Fig. 1

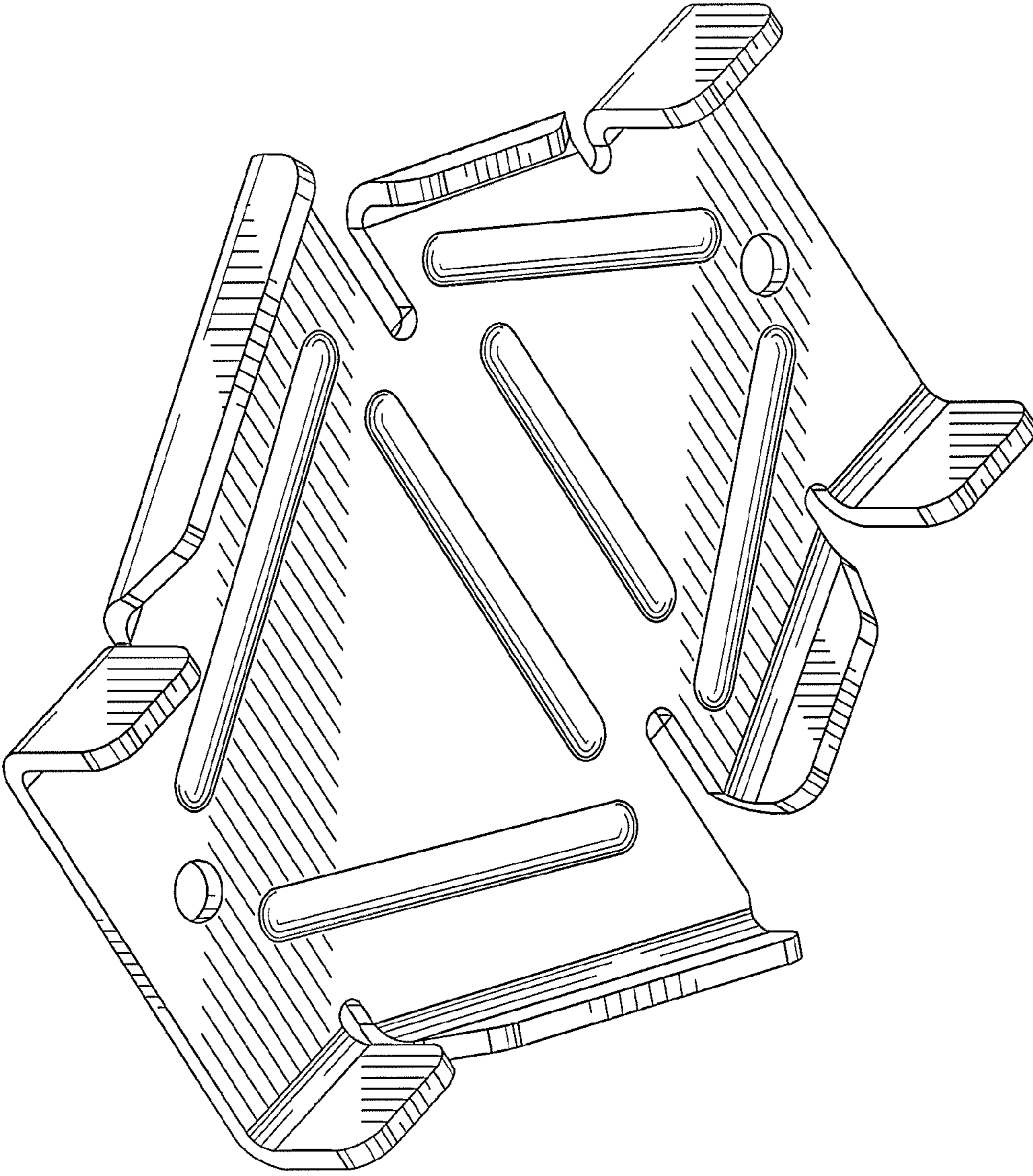


Fig.2

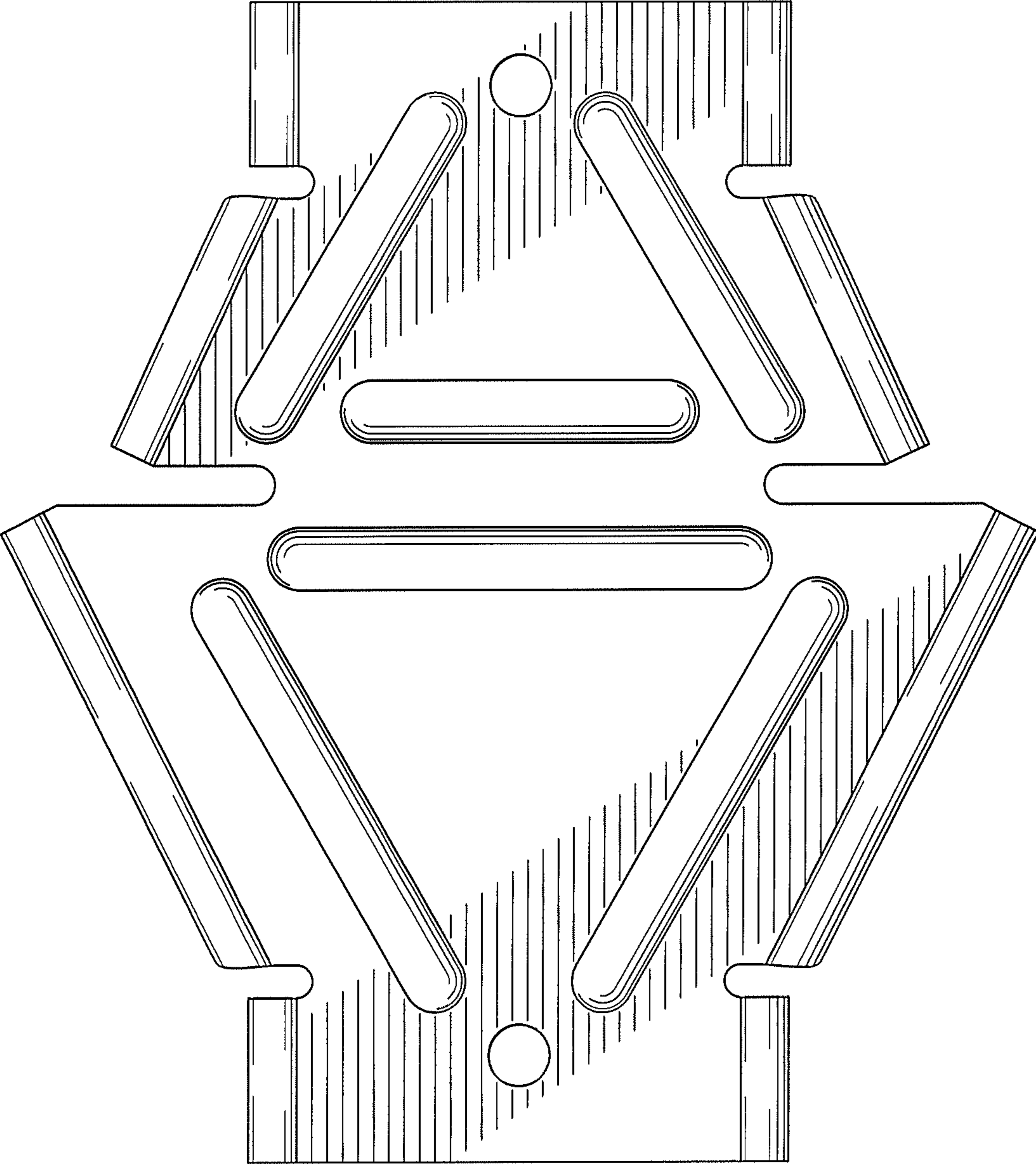


Fig.3

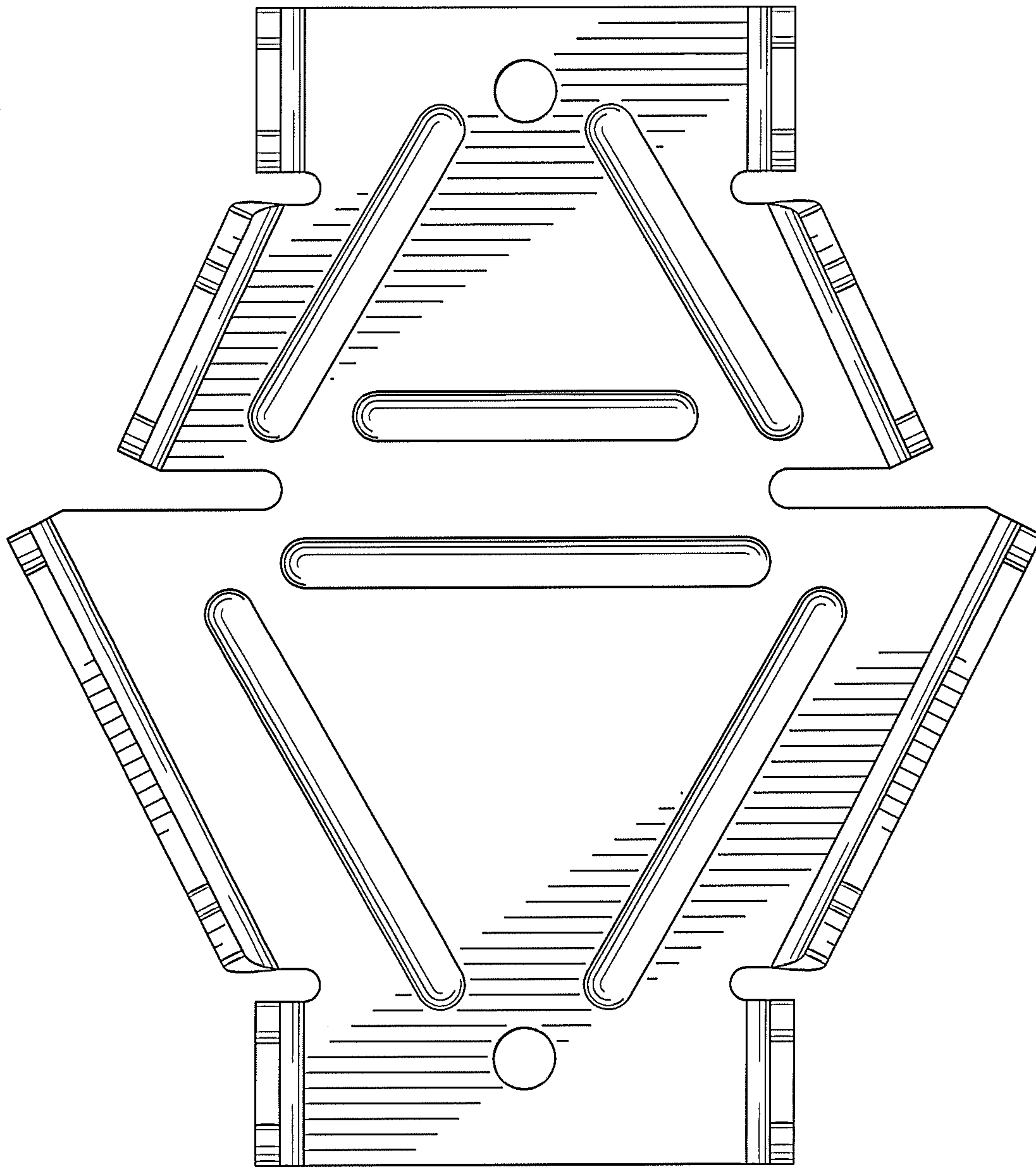


Fig. 4

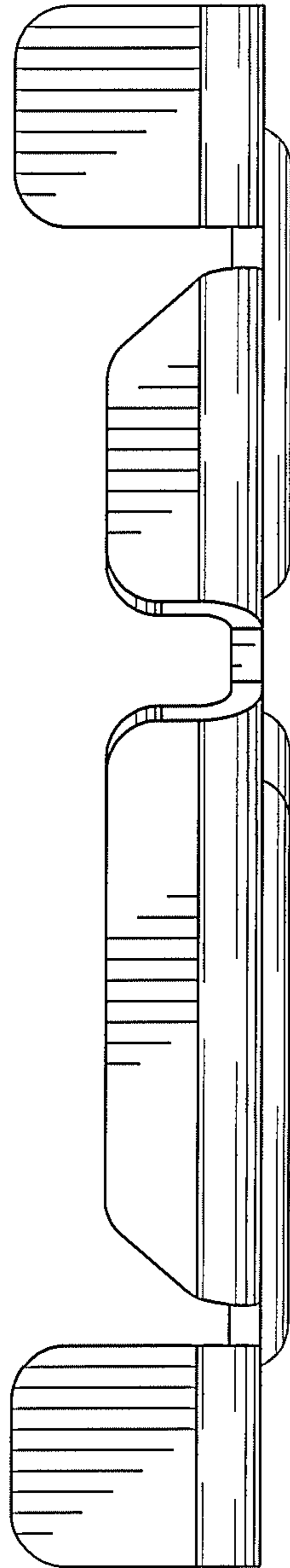


Fig.5

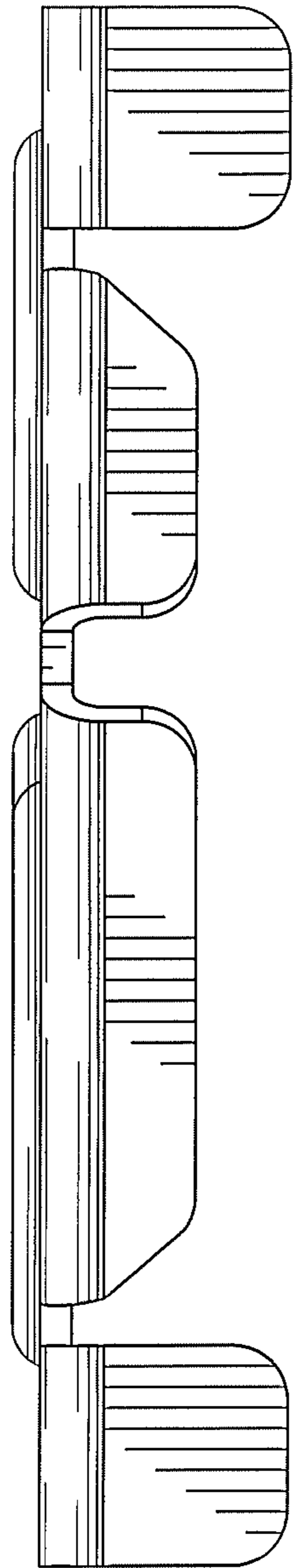


Fig.6



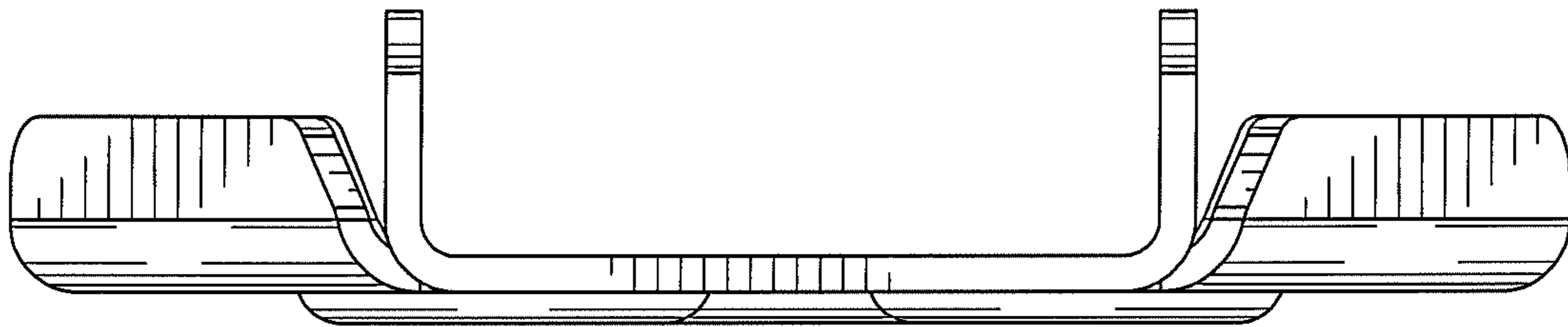


Fig.7

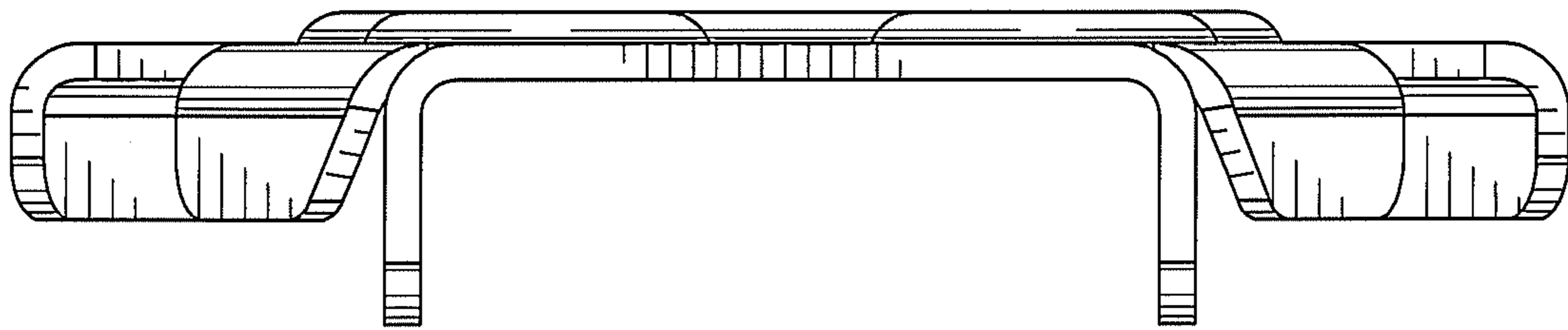


Fig.8