

US00D692745S

(12) **United States Design Patent**  
**Stevens**

(10) **Patent No.:** **US D692,745 S**  
(45) **Date of Patent:** **\*\* Nov. 5, 2013**

(54) **LOCK**

(75) Inventor: **Scott B. Stevens**, St. Francis, WI (US)

(73) Assignee: **Master Lock Company LLC**, Oak Creek, WI (US)

(\*\*) Term: **14 Years**

(21) Appl. No.: **29/418,857**

(22) Filed: **Apr. 23, 2012**

(51) **LOC (9) Cl.** ..... **08-07**

(52) **U.S. Cl.**  
USPC ..... **D8/334**

(58) **Field of Classification Search**  
USPC ..... D8/330, 331, 343, 346, 398, 394, 449;  
70/57, 57.1, 51-56, 416, 485, 486,  
70/445, 419, 431, 422, 158, DIG. 26;  
220/280, 265, 277  
See application file for complete search history.

(56) **References Cited**

**U.S. PATENT DOCUMENTS**

656,157 A 8/1900 Alm  
1,085,894 A 2/1914 Eagle

(Continued)

**FOREIGN PATENT DOCUMENTS**

EP 001115059-0001 3/2009  
GB 1497979 1/1978

(Continued)

**OTHER PUBLICATIONS**

International Search Report and Written Opinion from International Application No. PCT/US2010/049615, date of mailing Nov. 4, 2010.

(Continued)

*Primary Examiner* — Prabhakar Deshmukh

(74) *Attorney, Agent, or Firm* — Calfee, Halter & Griswold LLP

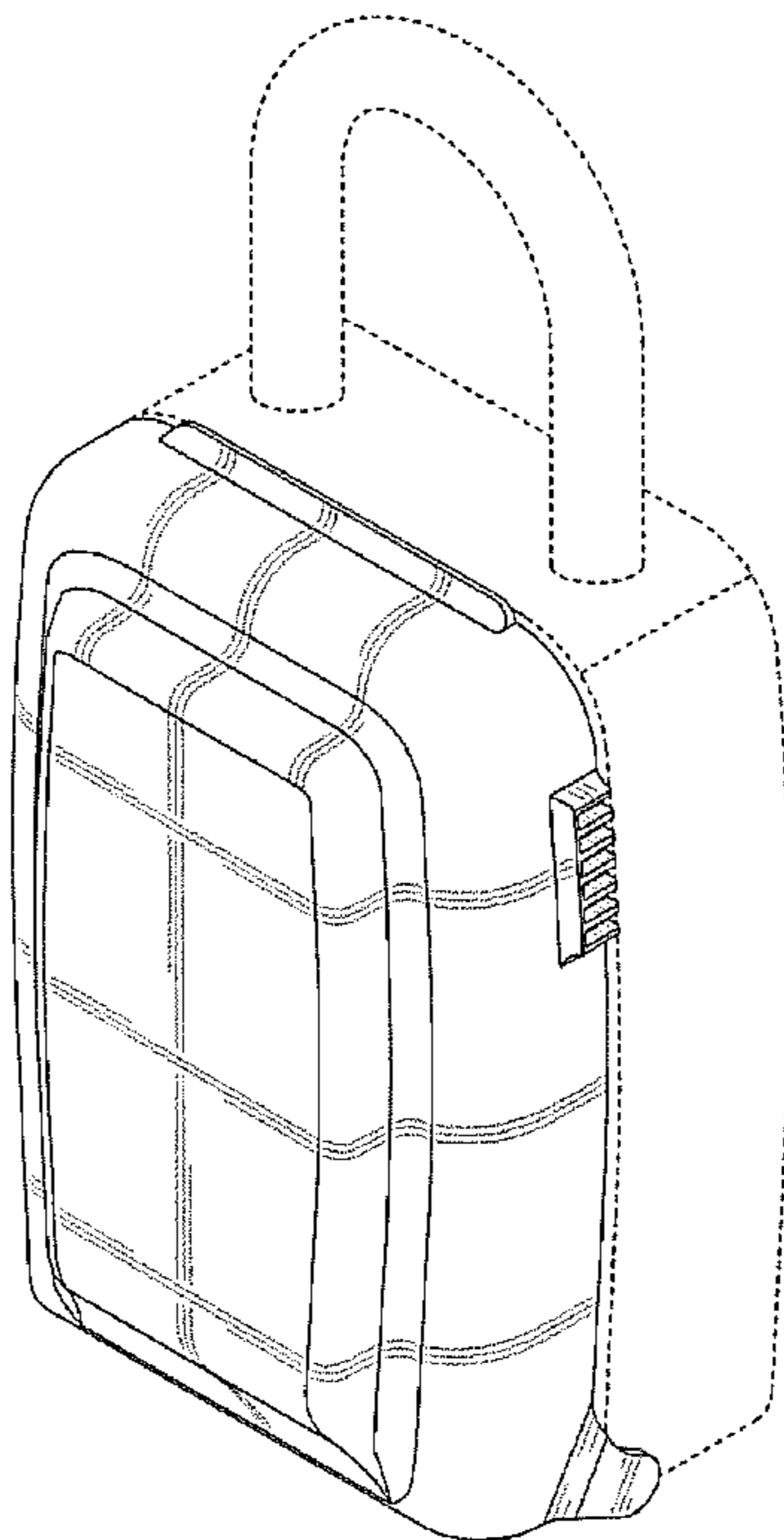
(57) **CLAIM**

I claim the ornamental design for a lock, as shown and described.

**DESCRIPTION**

FIG. 1 is a front perspective view of an embodiment of a lock of the new design;  
FIG. 2 is a top plan view of the lock of FIG. 1;  
FIG. 3 is a bottom plan view of the lock of FIG. 1;  
FIG. 4 is a front elevational view of the lock of FIG. 1;  
FIG. 5 is a rear elevational view of the lock of FIG. 1;  
FIG. 6 is a right side elevational view of the lock of FIG. 1;  
FIG. 7 is a left side elevational view of the lock of FIG. 1;  
FIG. 8 is a front perspective view of another embodiment of a lock of the new design;  
FIG. 9 is a top plan view of the lock of FIG. 8;  
FIG. 10 is a bottom plan view of the lock of FIG. 8;  
FIG. 11 is a front elevational view of the lock of FIG. 8;  
FIG. 12 is a rear elevational view of the lock of FIG. 8;  
FIG. 13 is a right side elevational view of the lock of FIG. 8;  
and,  
FIG. 14 is a left side elevational view of the lock of FIG. 8.  
The portions of the Figures shown in broken lines are for illustrative purpose only and form no part of the claimed design.

**1 Claim, 10 Drawing Sheets**



(56)

References Cited

U.S. PATENT DOCUMENTS

1,092,733 A	4/1914	McCarthy	5,058,404 A	10/1991	Fish et al.	
1,185,468 A	5/1916	Borg	5,065,156 A	11/1991	Bernier	
1,276,633 A	8/1918	Forbes	D350,002 S	8/1994	Viola	
D59,734 S	11/1921	Fisher	D351,499 S	10/1994	Gay et al.	
1,423,691 A	7/1922	Sokolov	5,460,020 A	10/1995	Hungerford	
1,480,760 A	1/1924	Hill	D365,430 S	12/1995	Riboli	
1,634,884 A	7/1927	Peer	5,638,707 A *	6/1997	Gould .....	70/56
1,955,809 A	4/1934	Hobbs	D380,793 S	7/1997	Conwell	
2,029,080 A	1/1936	Mills	5,720,193 A	2/1998	Dick	
2,109,264 A	2/1938	Elbaum	5,737,947 A	4/1998	Ling	
2,165,067 A	7/1939	Pfendner	5,738,020 A	4/1998	Correia	
2,529,119 A	11/1950	Wallach et al.	5,758,522 A	6/1998	York	
2,536,429 A	1/1951	Dury	5,768,921 A	6/1998	Hill	
2,628,490 A	2/1953	Klein	D407,184 S	3/1999	Endelson	
2,640,346 A	6/1953	Giffin	D411,949 S	7/1999	Hill	
2,665,577 A	1/1954	Sanowskis	5,927,114 A	7/1999	Berry	
2,706,393 A	4/1955	Jamieson et al.	D417,604 S	12/1999	Wasson et al.	
D175,369 S	8/1955	Sciacero	6,000,254 A	12/1999	Raybary	
2,755,748 A	7/1956	Abell, Jr.	6,026,665 A	2/2000	Raybary	
2,785,564 A	3/1957	Rossi	6,085,671 A *	7/2000	Kerr et al. ....	109/51
D181,025 S	9/1957	Sederquist et al.	D432,755 S	10/2000	Perkitny et al.	
D183,094 S	6/1958	Heath	6,145,355 A	11/2000	Burleigh et al.	
3,009,346 A	11/1961	Check	6,272,889 B1	8/2001	Burleigh et al.	
3,026,704 A	3/1962	Baker	6,298,698 B1	10/2001	Nakajima et al.	
3,040,556 A	6/1962	Rosenhagen	6,334,346 B1	1/2002	Wang	
3,084,532 A	4/1963	Williams	D462,517 S	9/2002	Knox et al.	
3,099,150 A	7/1963	Check	6,484,545 B1	11/2002	Peter et al.	
3,115,028 A	12/1963	Windle	6,487,803 B1	12/2002	Yu	
3,115,765 A	12/1963	Fengler	6,526,786 B1	3/2003	Kayoda	
3,146,739 A	9/1964	Furman	D476,216 S	6/2003	Vito	
3,187,528 A	6/1965	Check	6,575,004 B2	6/2003	Berton et al.	
3,357,216 A	12/1967	Cook	D484,776 S	1/2004	Ruan	
3,379,040 A	4/1968	Shimono	D488,048 S	4/2004	Wasson et al.	
3,412,587 A	11/1968	Sanowskis	6,755,059 B1	6/2004	Nall	
3,462,981 A	8/1969	Leblanc	D495,234 S	8/2004	Fisher et al.	
3,667,261 A	6/1972	McGourty	6,813,912 B1	11/2004	Ng et al.	
3,742,741 A	7/1973	Cahan	6,834,519 B1	12/2004	Yang	
3,750,431 A	8/1973	Atkinson	6,874,339 B2	4/2005	Segawa	
D231,895 S	6/1974	Stolarz	7,036,950 B1	5/2006	Freeman et al.	
3,910,078 A	10/1975	Schulz	7,043,948 B1	5/2006	Wang	
3,934,434 A	1/1976	Law	7,057,660 B1	6/2006	Okuda	
3,937,046 A	2/1976	Wang	D525,112 S	7/2006	Butts et al.	
4,014,194 A	3/1977	Hartman	7,152,439 B1	12/2006	Chang	
4,027,508 A	6/1977	McGourty	D534,965 S	1/2007	Chung	
4,070,881 A	1/1978	Shimono	D539,540 S	4/2007	Perlman et al.	
4,133,074 A	1/1979	Schack	D539,633 S *	4/2007	Van Handel .....	D8/333
4,196,603 A	4/1980	Malacheski et al.	D547,161 S	7/2007	Blomstrom et al.	
4,350,031 A	9/1982	Shimono	7,251,967 B2	8/2007	Yang	
D271,350 S	11/1983	Robbins	7,299,667 B1	11/2007	Miresmaili	
D273,053 S	3/1984	Hamborg	D560,875 S	1/2008	Decarlo et al.	
D278,689 S	5/1985	Jupe	7,316,139 B2	1/2008	Nakazima et al.	
D279,324 S	6/1985	Tanaka	7,360,383 B1	4/2008	Chang	
4,602,491 A	7/1986	Mauer	D569,227 S	5/2008	Boenisch	
4,627,250 A	12/1986	Kim	D569,609 S	5/2008	Hacker	
4,641,505 A	2/1987	Maurice	7,426,841 B2	9/2008	Yang	
4,651,544 A	3/1987	Hungerford	D579,174 S	10/2008	Decarlo et al.	
4,671,084 A	6/1987	Lin	7,434,426 B2	10/2008	Loughlin et al.	
4,727,368 A	2/1988	Larson et al.	D590,695 S	4/2009	Wu	
4,748,833 A	6/1988	Nagasawa	7,516,631 B2	4/2009	Hacker	
4,766,746 A	8/1988	Henderson	D592,485 S	5/2009	Stevens	
D298,679 S	11/1988	Casini et al.	D592,934 S	5/2009	Yang	
4,794,768 A	1/1989	Moser et al.	D592,935 S	5/2009	Mesh et al.	
4,799,371 A	1/1989	Duncan	7,540,175 B2	6/2009	Kalous et al.	
D301,682 S *	6/1989	Gardenswartz .....	D614,044 S	4/2010	Mouquet	
4,838,052 A	6/1989	Williams et al.	D615,842 S	5/2010	Freeman	
4,851,652 A *	7/1989	Imran .....	D617,974 S	6/2010	Alfeld, Sr.	
4,866,958 A	9/1989	Bretl et al.	D619,876 S	7/2010	Pastore	
4,872,326 A	10/1989	Aurness et al.	D622,129 S *	8/2010	Spivey et al. ....	D8/333
4,936,894 A	6/1990	Larson et al.	D623,042 S	9/2010	Ranshaw et al.	
D309,054 S	7/1990	Knox	D623,824 S	9/2010	Pendleton	
D310,211 S	8/1990	Tanbe	D625,577 S	10/2010	Bainter	
4,951,577 A	8/1990	Bentley	D630,260 S	1/2011	Cole et al.	
4,952,228 A	8/1990	Taylor et al.	7,891,220 B2	2/2011	Yen et al.	
4,959,978 A	10/1990	Cappell	D634,915 S	3/2011	Nave et al.	
5,046,339 A *	9/1991	Krell .....	D635,324 S	3/2011	Plato	
			D635,325 S	3/2011	Plato	
			7,913,526 B2	3/2011	Loughlin et al.	
			7,926,215 B2 *	4/2011	Riker et al. ....	40/654.01
			D638,277 S	5/2011	Yang	

(56)

**References Cited**

U.S. PATENT DOCUMENTS

D638,684 S 5/2011 Stevens  
 7,934,406 B2 5/2011 Loughlin et al.  
 7,946,141 B2 5/2011 Ng et al.  
 D640,911 S \* 7/2011 Yang ..... D8/346  
 D641,535 S 7/2011 Kan  
 D642,893 S 8/2011 Yang  
 8,020,415 B2 9/2011 Corbin et al.  
 D650,548 S 12/2011 Meekma et al.  
 D654,654 S 2/2012 Meekma et al.  
 D655,885 S 3/2012 Meekma et al.  
 D667,287 S \* 9/2012 Yang ..... D8/346  
 2003/0126896 A1 7/2003 Mori  
 2003/0141959 A1 7/2003 Keough et al.  
 2003/0179075 A1 9/2003 Greenman  
 2004/0226325 A1 11/2004 Ling  
 2004/0261477 A1 12/2004 Wang  
 2005/0086982 A1 4/2005 Nakazima et al.  
 2005/0210937 A1 9/2005 Okuda  
 2005/0223758 A1 10/2005 Yu  
 2006/0065024 A1 3/2006 Guitierrez et al.  
 2006/0137949 A1 6/2006 Levinson et al.  
 2006/0213237 A1 9/2006 Yang  
 2006/0266084 A1 11/2006 Kuo et al.  
 2007/0144226 A1 6/2007 Miao  
 2007/0175248 A1 8/2007 Wu et al.  
 2007/0180873 A1 8/2007 Yen et al.  
 2008/0098939 A1 5/2008 Kalous et al.  
 2008/0115544 A1 5/2008 Yang

2008/0115546 A1 5/2008 Hu  
 2009/0183537 A1 7/2009 Yen et al.  
 2010/0242553 A1 9/2010 Yang  
 2011/0210136 A1 9/2011 Wang

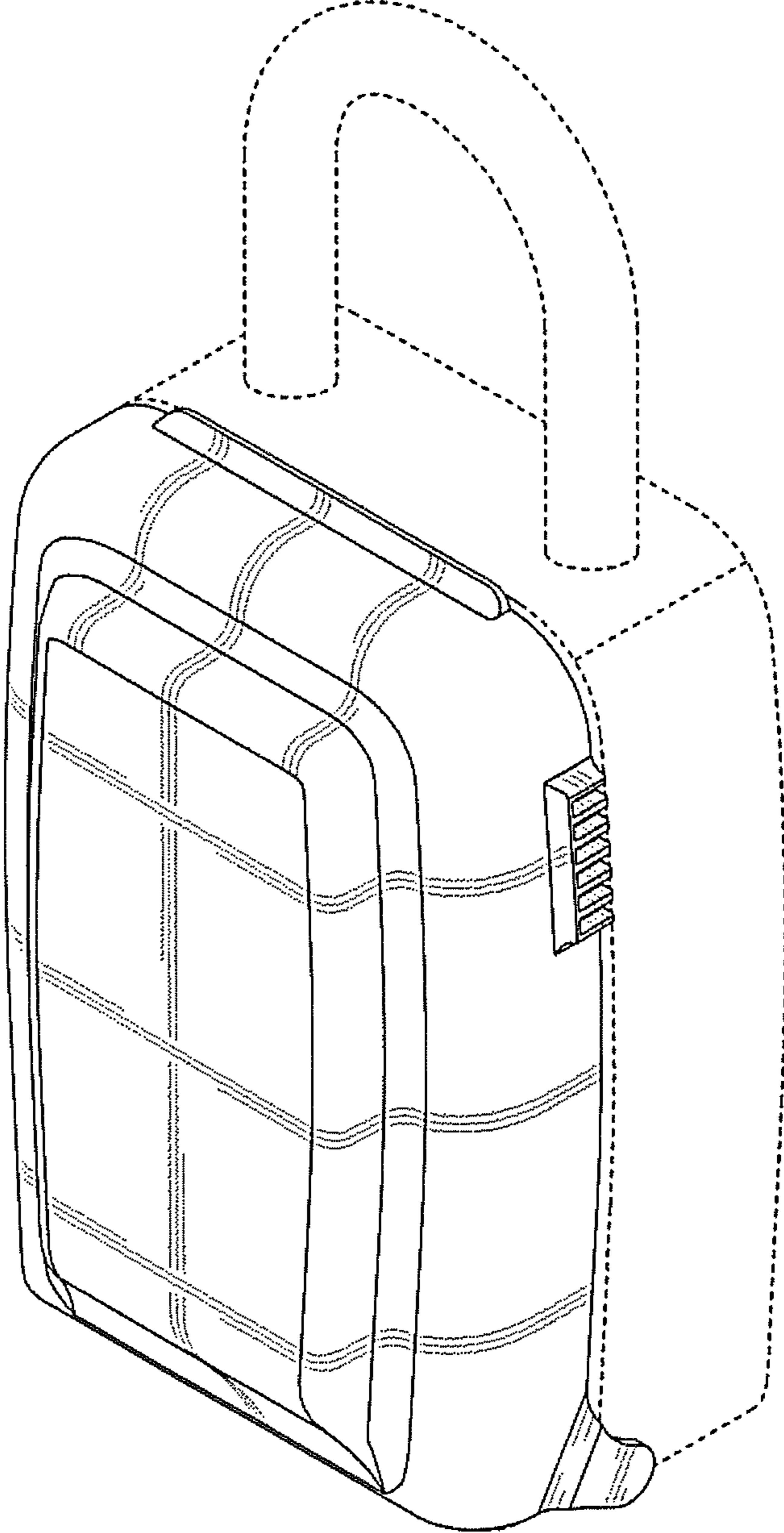
FOREIGN PATENT DOCUMENTS

JP 2011080253 A 4/2011  
 TW 341083 9/2008  
 WO 2008094137 8/2008

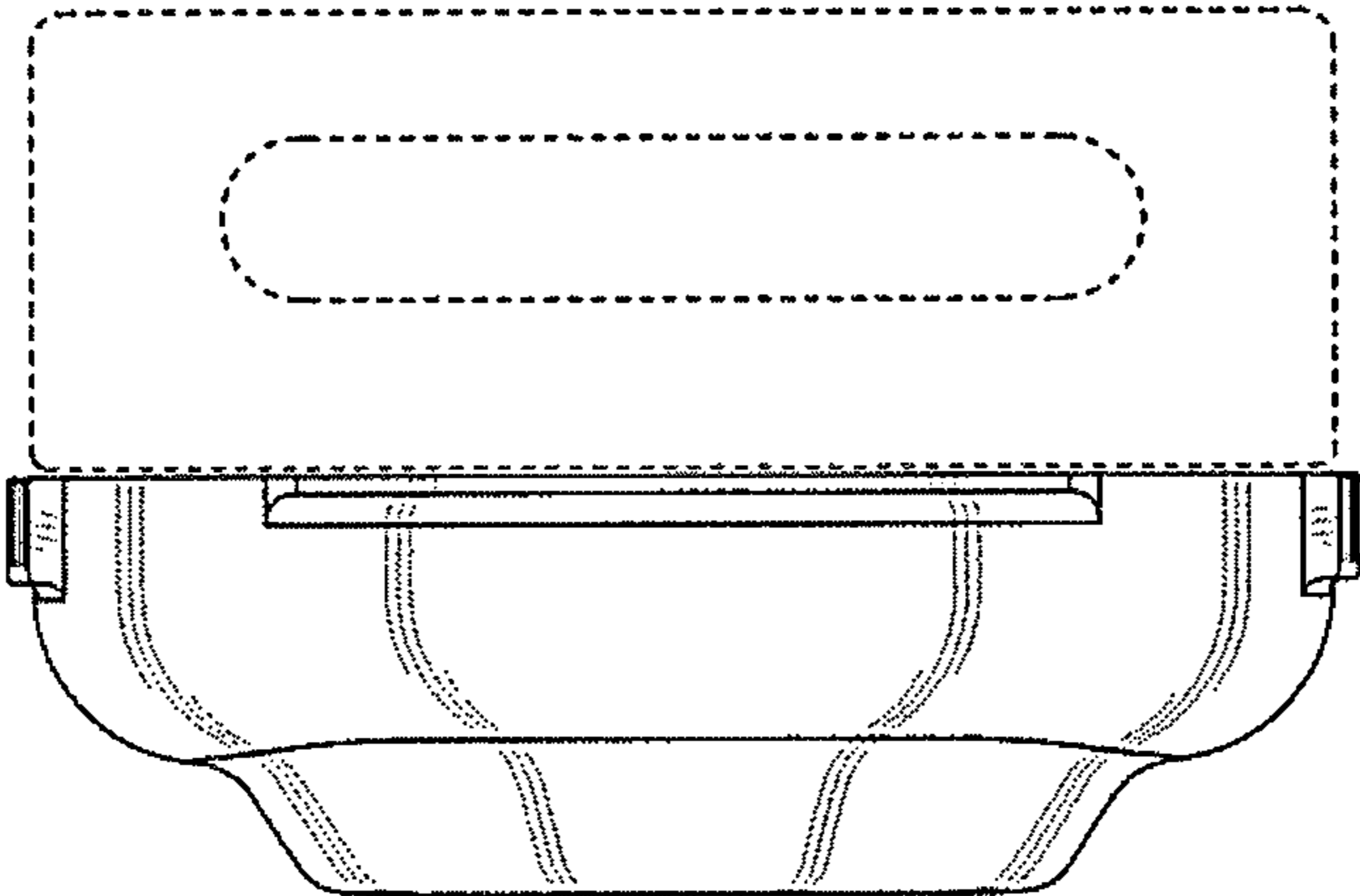
OTHER PUBLICATIONS

International Search Report and Written Opinion from International Application No. PCT/US2010/059217, date of mailing Feb. 8, 2011.  
 International Search Report and Written Opinion from International Application No. PCT/US2007/04968 date of mailing Aug. 27, 2008.  
 International Search Report and Written Opinion from International Application No. PCT/US2010/055039, date of mailing Jan. 11, 2011.  
 Website printout, KeyGuard Products, Punch Button Lockbox: 222. KeyGuard-Products.com; infor@fjmsecurity.com; 2 pages, date unknown.  
 Website printout, KeyGuard “Easy to Remember Words using Familiar Phone Key Pad Face,” <http://keyguard-lock-boxes.com/lock,box.htm#Zero>; 2 pages, date unknown.  
 Website printout; KeyGuard “Easy to Remember Words using Familiar Phone Key Pad Face.” <http://keyguard-lock-boxes.com>; 2 pages, 2011.

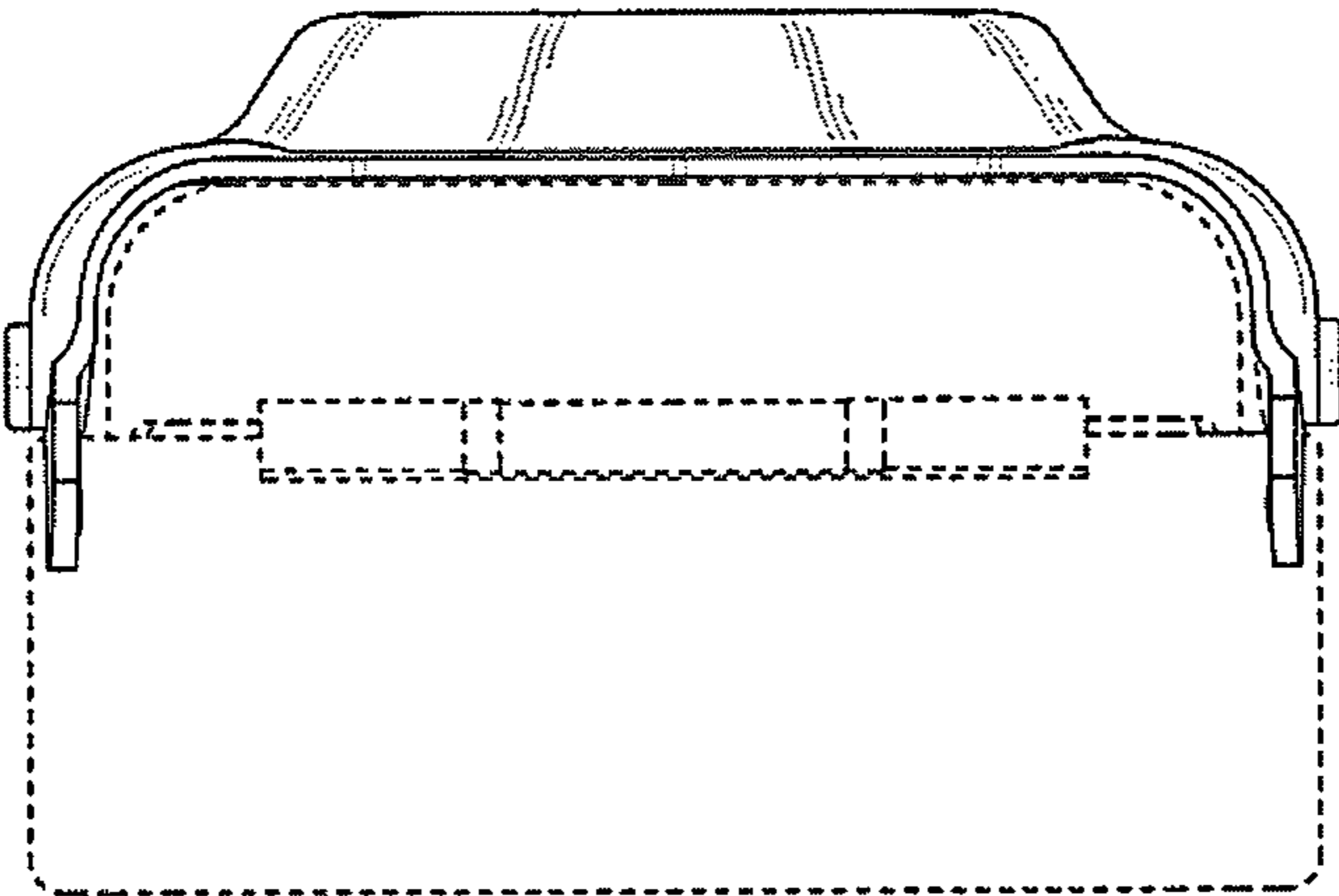
\* cited by examiner



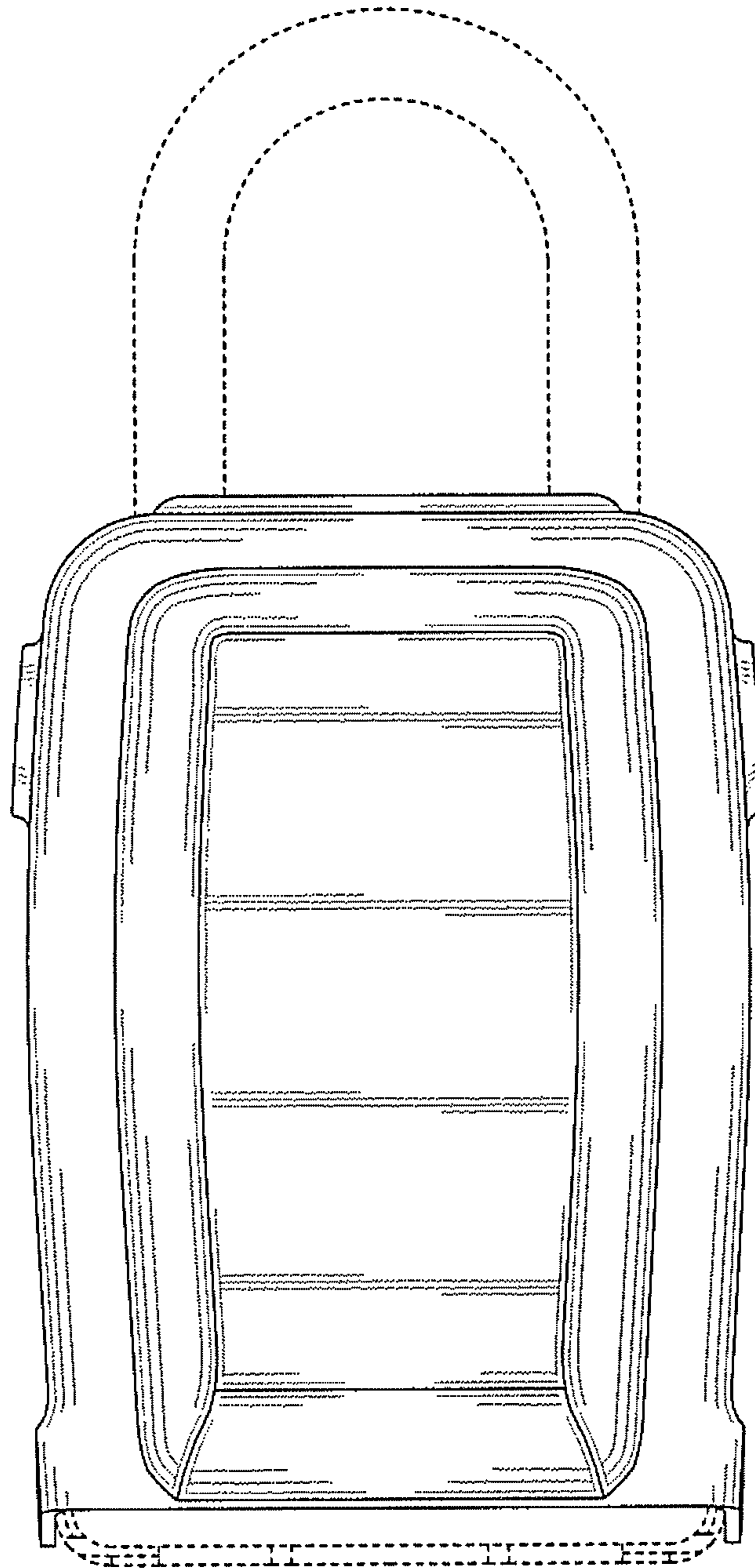
**FIG. 1**



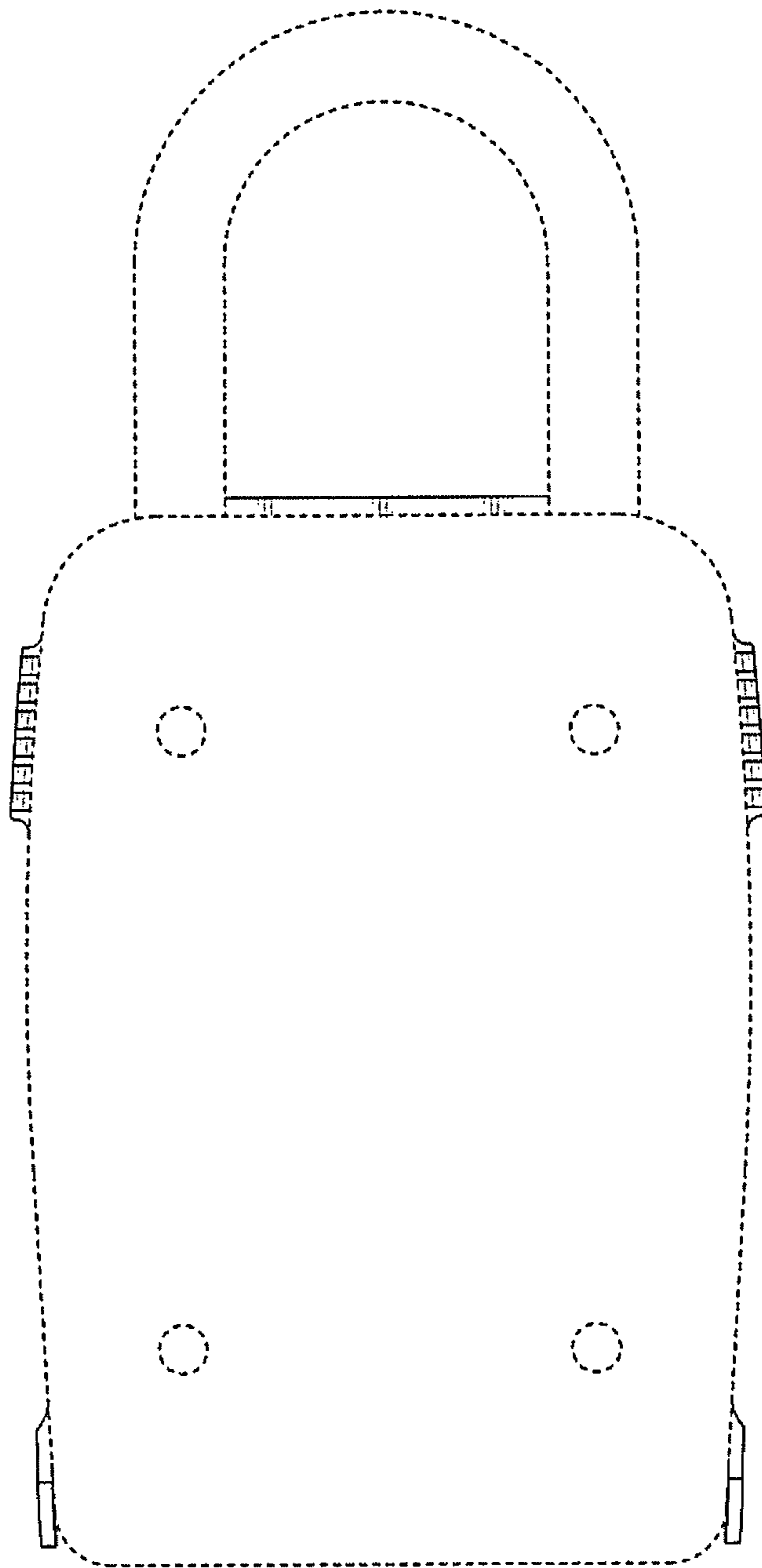
**FIG. 2**



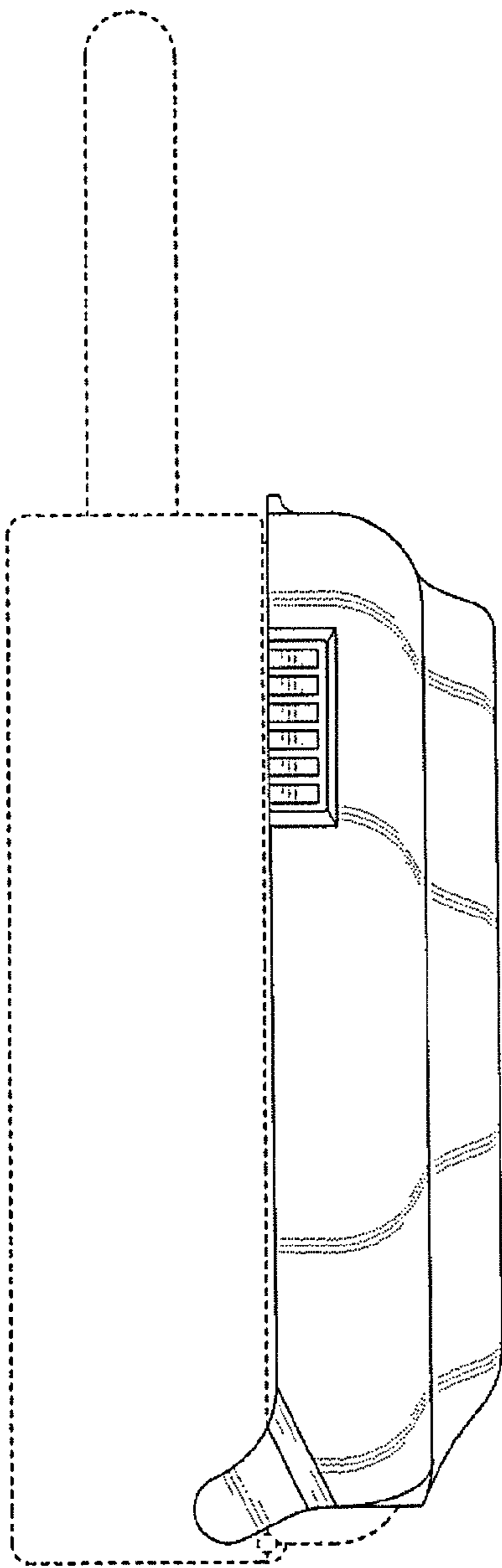
**FIG. 3**



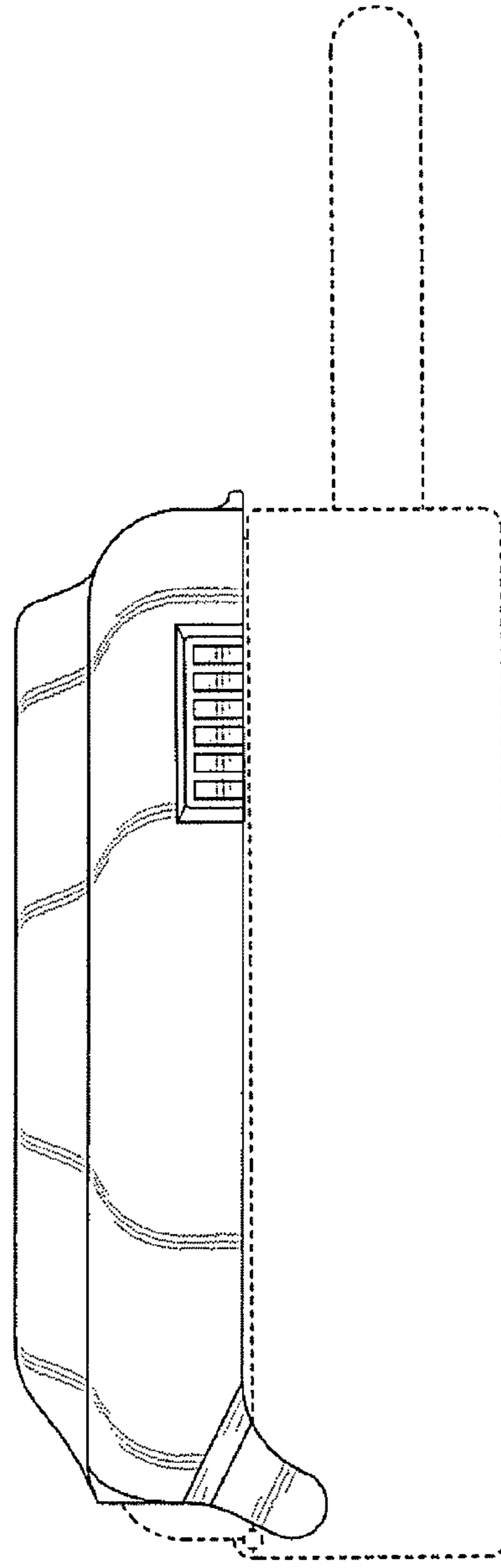
**FIG. 4**



**FIG. 5**

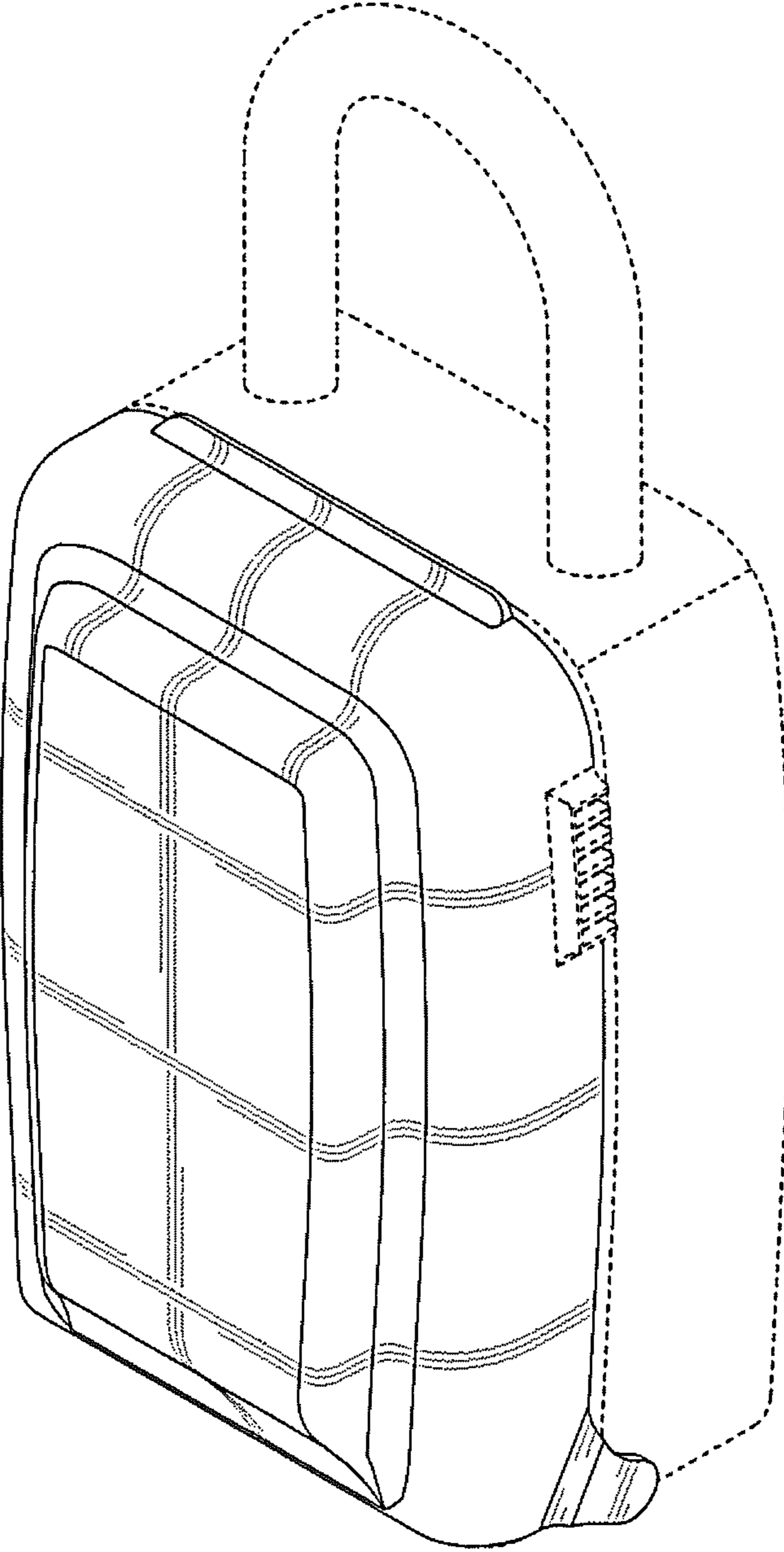


**FIG. 6**

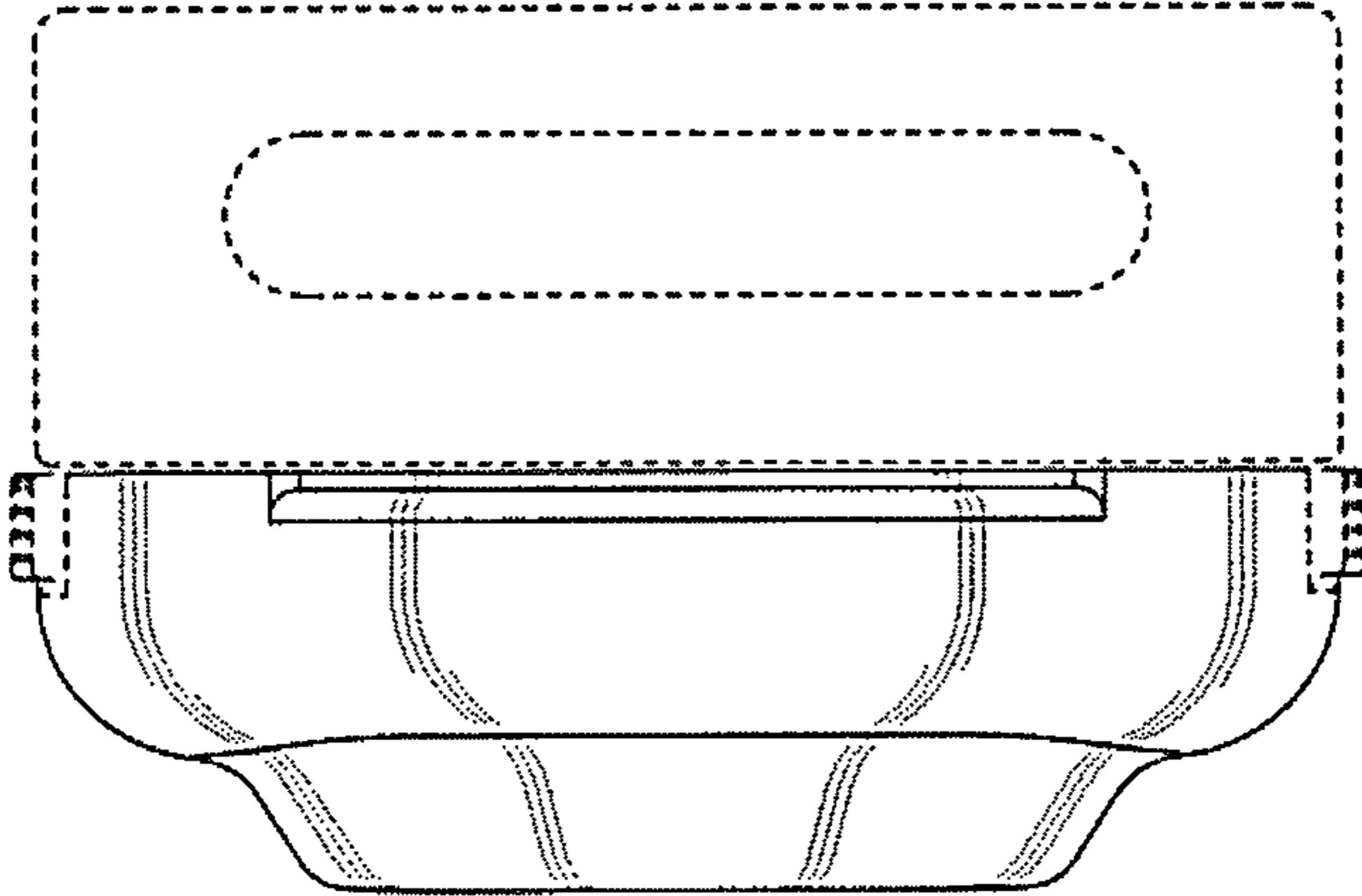


**FIG. 7**

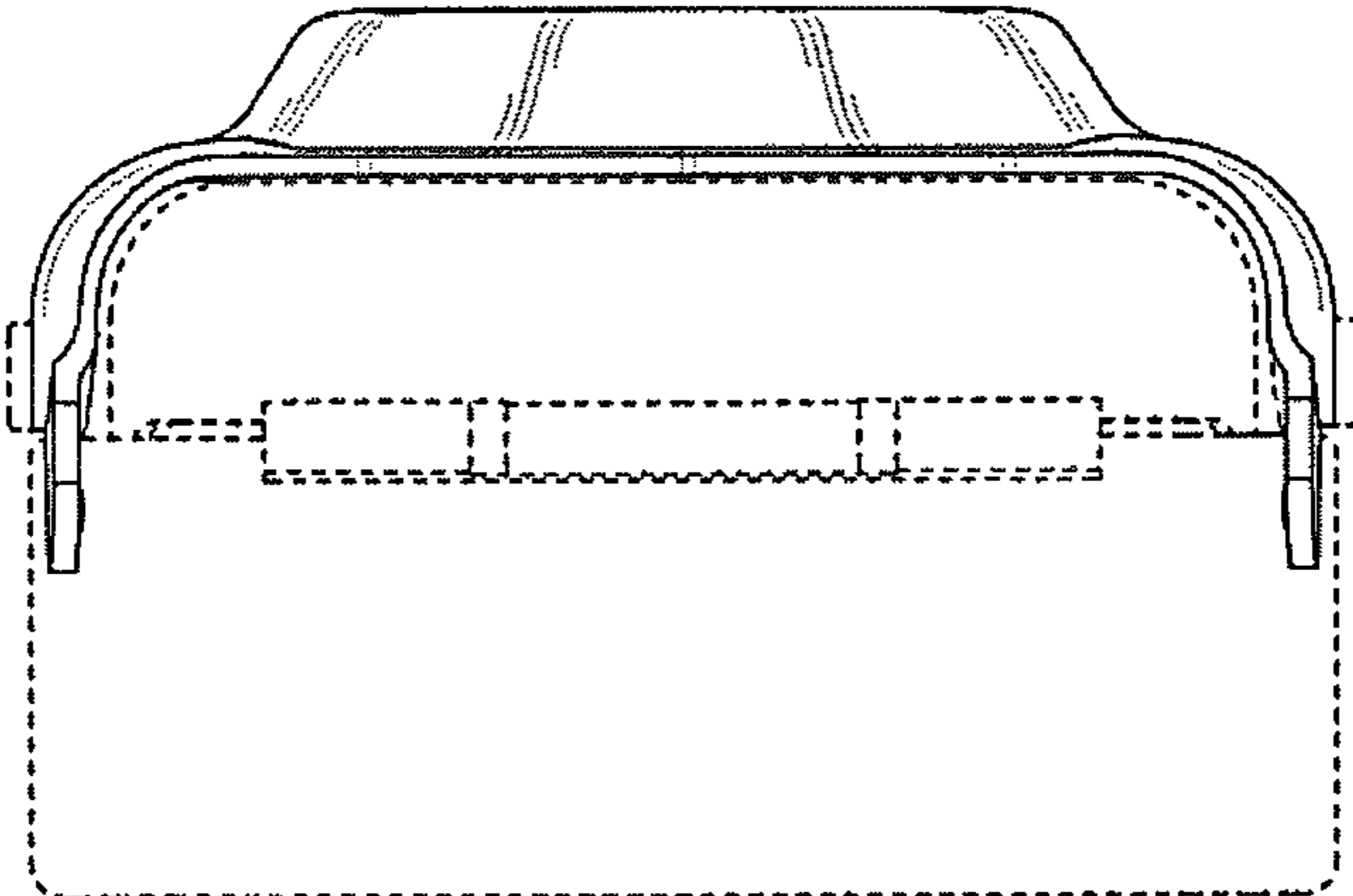




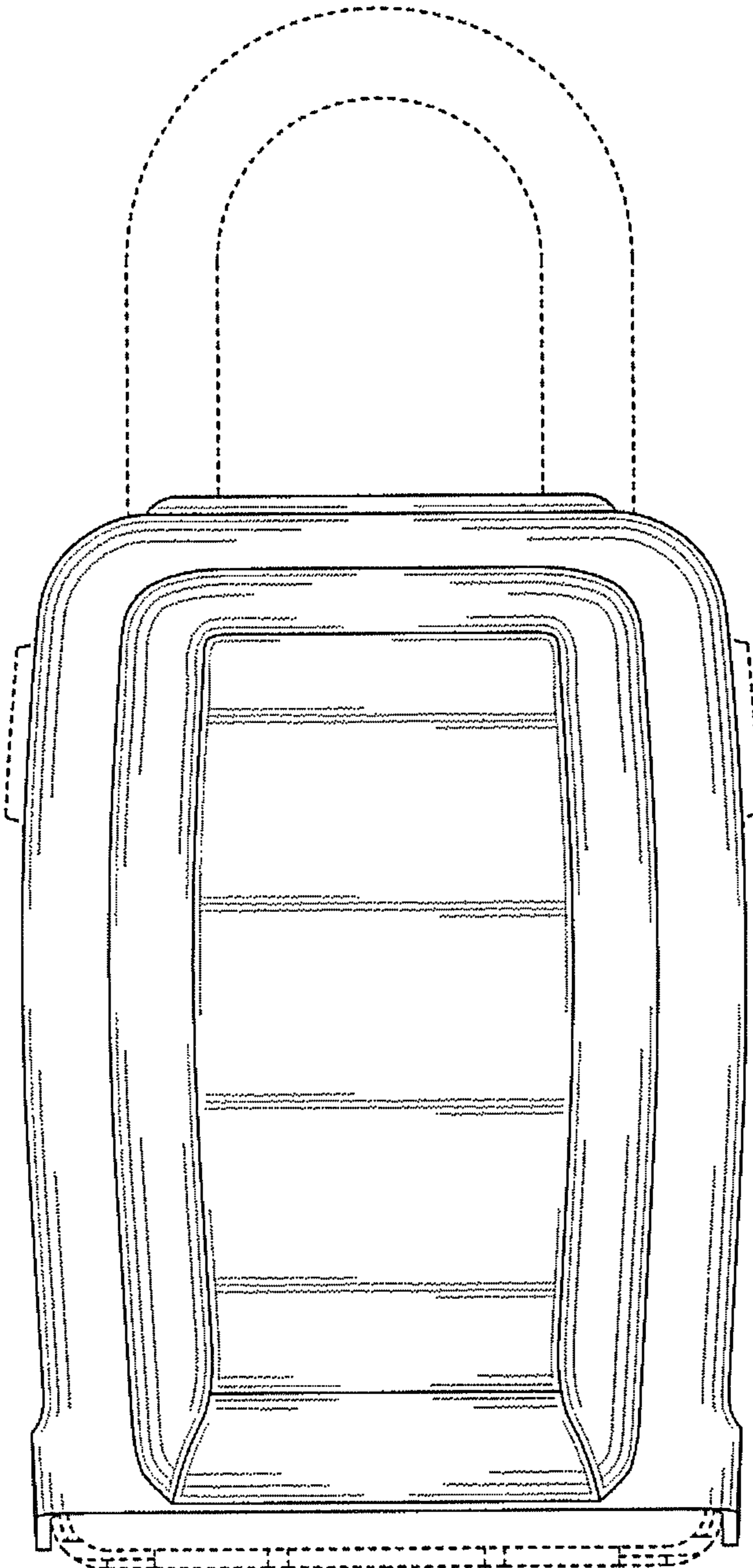
**FIG. 8**



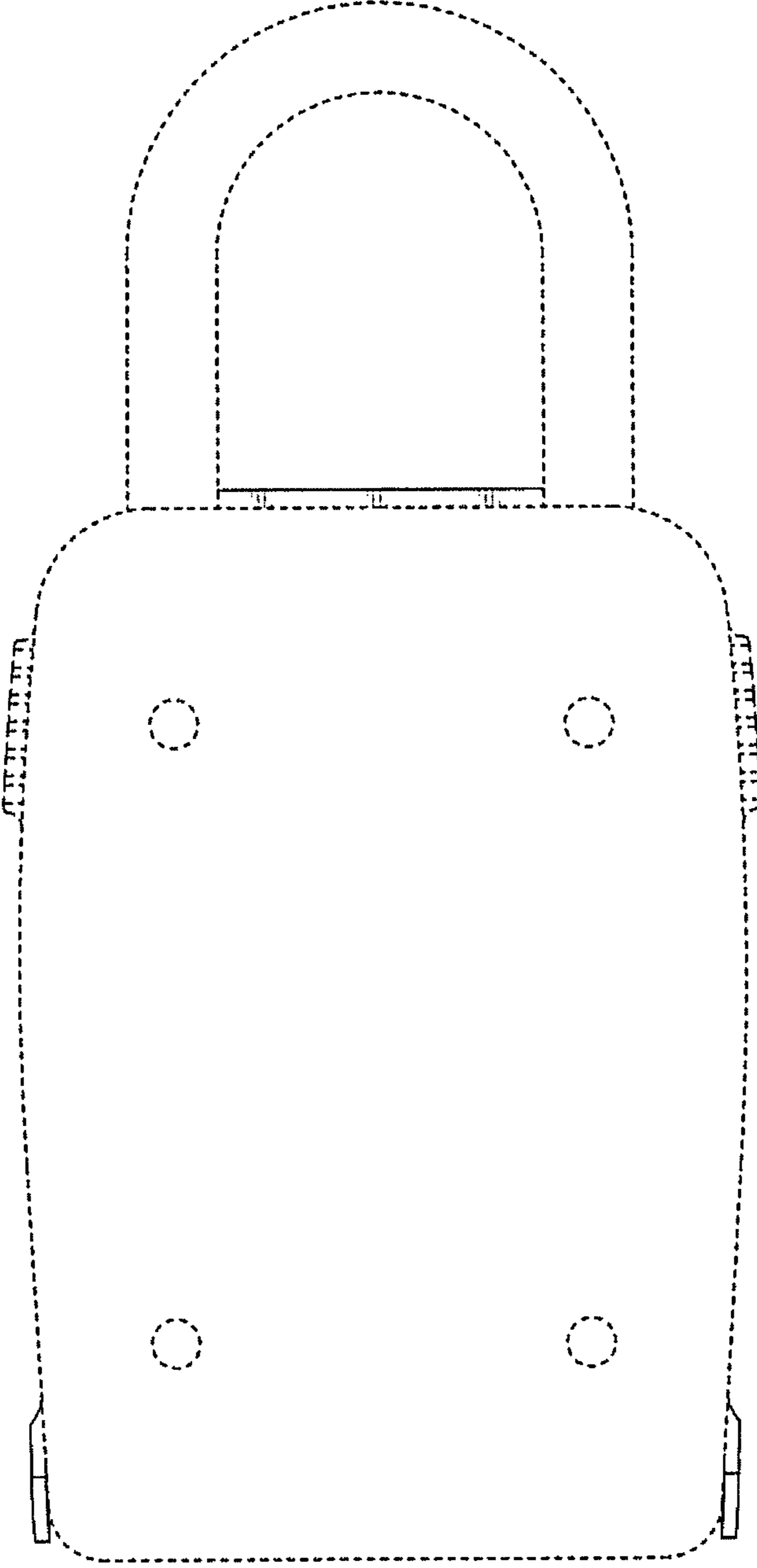
**FIG. 9**



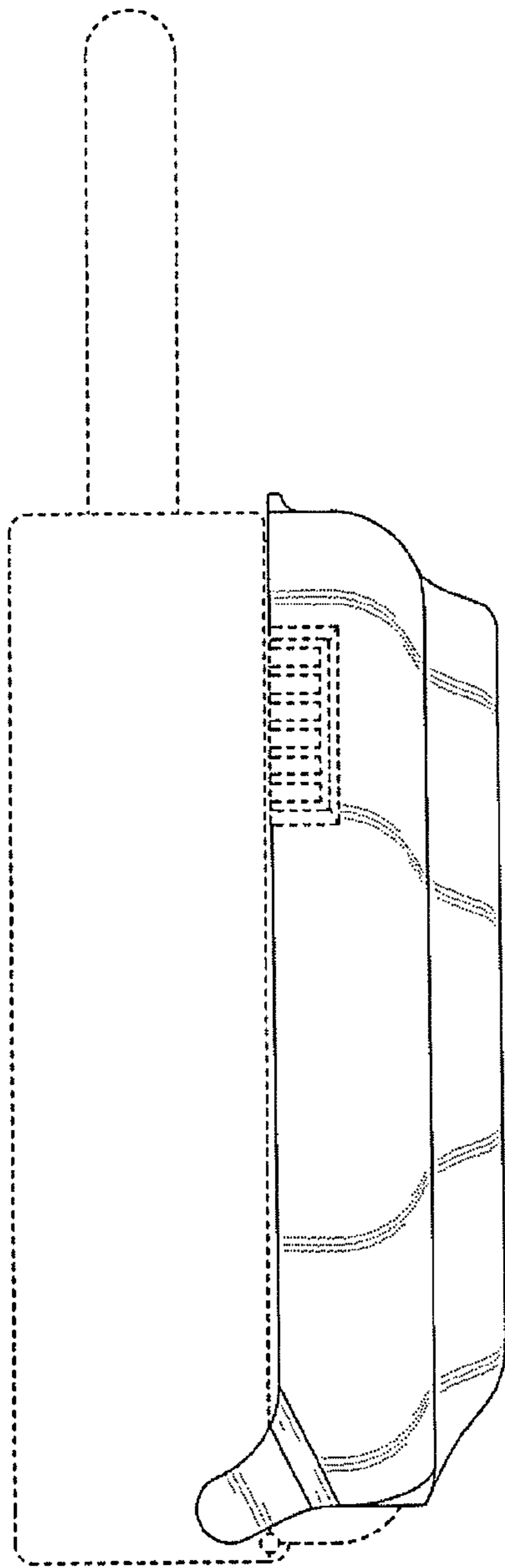
**FIG. 10**



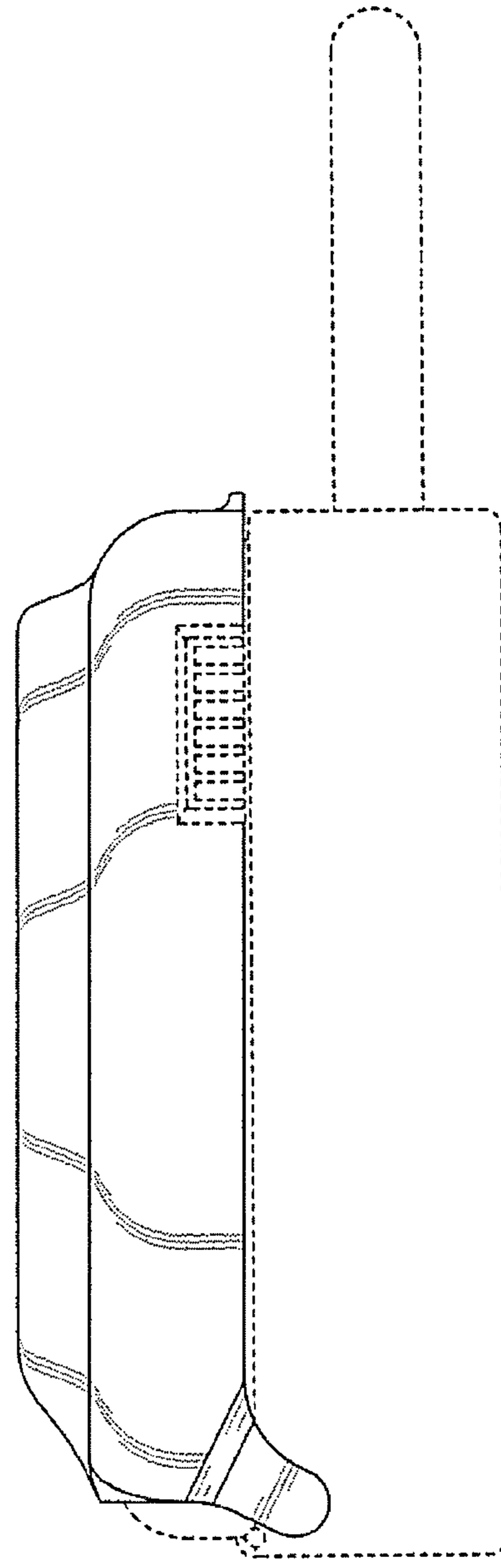
**FIG. 11**



**FIG. 12**



**FIG. 13**



**FIG. 14**