



US00D692744S

(12) **United States Design Patent**
Dalton

(10) **Patent No.:** **US D692,744 S**

(45) **Date of Patent:** **** Nov. 5, 2013**

(54) **PORTION OF A HIGH-STRENGTH LOCK**

(71) Applicant: **United States Postal Service,**
Washington, DC (US)

(72) Inventor: **Robert Dalton,** Greenville, SC (US)

(73) Assignee: **The United States Postal Service,**
Washington, DC (US)

(**) Term: **14 Years**

(21) Appl. No.: **29/447,823**

(22) Filed: **Mar. 7, 2013**

Related U.S. Application Data

(60) Continuation of application No. 29/436,994, filed on Nov. 21, 2012, now Pat. No. Des. 680,416, which is a division of application No. 12/004,856, filed on Dec. 21, 2007.

(51) **LOC (9) Cl.** **08-07**

(52) **U.S. Cl.**
USPC **D8/331; D8/343**

(58) **Field of Classification Search**
USPC D8/339, 331, 333, 343, 341; 70/77-79,
70/57, 58, 89, 158, 230, 275, 423, 427,
70/455, 372, 373, 281, 377, 381, 449,
70/379 R, DIG. 62, DIG. 43, 417, 370
See application file for complete search history.

(56) **References Cited**

U.S. PATENT DOCUMENTS

487,969 A 12/1892 Sargent
2,255,402 A 9/1941 Vile
2,390,756 A 12/1945 Voight
D155,158 S 9/1949 Hillgren
2,487,803 A 11/1949 Heimann
2,538,688 A 1/1951 Heyer
2,547,256 A 4/1951 Cerf, Jr.

2,622,431 A 12/1952 Cerf, Jr.
3,102,412 A 9/1963 Christopher
3,173,466 A 3/1965 Starriett et al.
3,190,092 A 6/1965 Patriquin
3,408,840 A 11/1968 Hasenbein
3,600,912 A 8/1971 Foreman
3,702,553 A 11/1972 Nolin

(Continued)

FOREIGN PATENT DOCUMENTS

WO WO 2008/080095 7/2008

OTHER PUBLICATIONS

PCT Search Report and written opinion for International Application No. PCT/US07/088641, mailed Sep. 24 and Sep. 29, 2008 (eight pages).

(Continued)

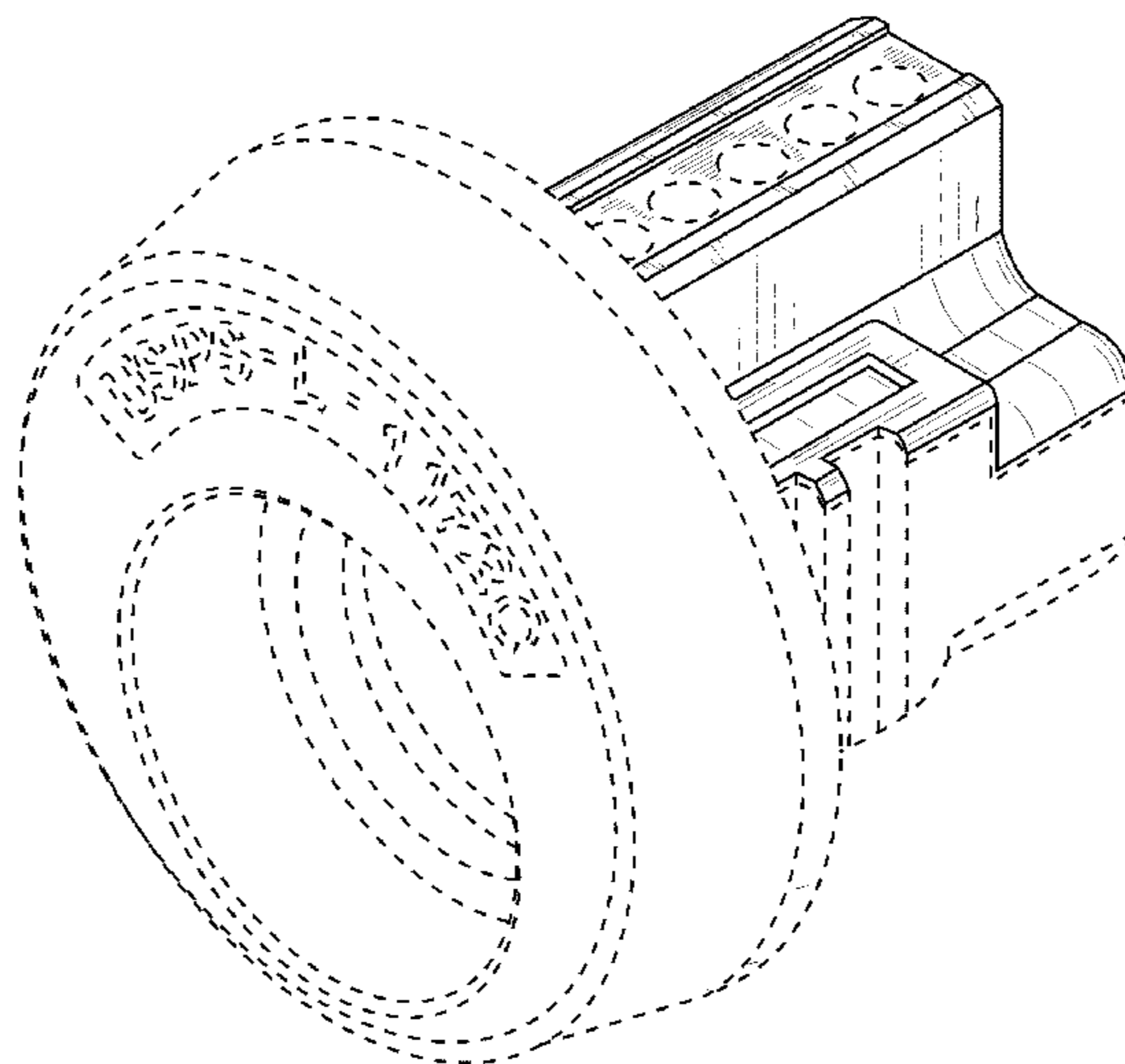
Primary Examiner — Prabhakar Deshmukh
(74) *Attorney, Agent, or Firm* — Finnegan, Henderson, Farabow, Garrett and Dunner, LLP

(57) **CLAIM**
The ornamental design for a portion of a high-strength lock, as shown and described.

DESCRIPTION

FIG. 1 is a front right perspective view of a portion of a high-strength lock showing my new design;
FIG. 2 is a front view thereof;
FIG. 3 is a right side elevation view thereof, the left side being a mirror image thereof;
FIG. 4 is a top plan view thereof;
FIG. 5 is a bottom plan view thereof; and,
FIG. 6 is a rear view thereof.
The broken lines depict environment and the elements shown in broken lines form no part of the claimed design.

1 Claim, 6 Drawing Sheets



(56)

References Cited

U.S. PATENT DOCUMENTS

3,789,638 A 2/1974 Roberts et al.
 4,761,977 A 8/1988 Weatherby
 5,152,161 A 10/1992 Lee
 5,199,285 A 4/1993 Lin
 5,265,453 A 11/1993 Konii et al.
 5,279,138 A 1/1994 Gallagher
 5,384,442 A * 1/1995 Danner 200/566
 5,435,159 A 7/1995 Ramsauer
 D365,011 S * 12/1995 Myers D8/331
 5,479,800 A 1/1996 Myers
 5,491,993 A * 2/1996 Anderson 70/367
 5,685,184 A 11/1997 Gallagher
 5,713,708 A 2/1998 Van derDrift et al.
 D410,190 S * 5/1999 Freck D8/331
 6,012,311 A 1/2000 Duckwall
 D422,882 S 4/2000 Andrews
 6,113,160 A * 9/2000 Johansson et al. 292/169
 D433,309 S * 11/2000 Johansson et al. D8/331
 D435,427 S * 12/2000 Sokurenko D8/331
 6,155,090 A 12/2000 Rubensson
 6,412,319 B1 7/2002 Adelmeyer
 6,501,037 B2 * 12/2002 Gressier et al. 200/341
 6,508,092 B1 1/2003 Laabs

D469,680 S 2/2003 Laabs et al.
 6,514,025 B2 2/2003 Watanabe
 D471,428 S 3/2003 Mirick
 6,679,090 B1 1/2004 Finch, Jr.
 D511,674 S 11/2005 Myers et al.
 7,003,994 B2 2/2006 Ruan
 7,194,876 B1 3/2007 Pacheco et al.
 D546,661 S 7/2007 Jackson, Jr.
 D549,075 S 8/2007 Jackson, Jr.
 7,251,970 B2 8/2007 Mielonen
 7,591,160 B2 9/2009 Keller
 2002/0104344 A1 8/2002 Nieves
 2006/0137416 A1 6/2006 Chang

OTHER PUBLICATIONS

United States Postal Service Specification Patron Lock, Centralized Delivery Equipment (CDE) (PSIN 0910A & B) (seven pages).
 Ad: New Jul. 2006, CompX National New Postal Locks (one page).
 Ad: Introducing New Postal Locks CompX National (one page).
 Federal Register: Sep. 3, 2004 (vol. 69, No. 171) [Rules and Regulations] [pp. 53808-53834] (28 pages).
 International Preliminary Report on Patentability, dated Jul. 2, 2009, for PCT Application No. PCT/US2007/088641, filed Dec. 21, 2007 (eight pages).

* cited by examiner

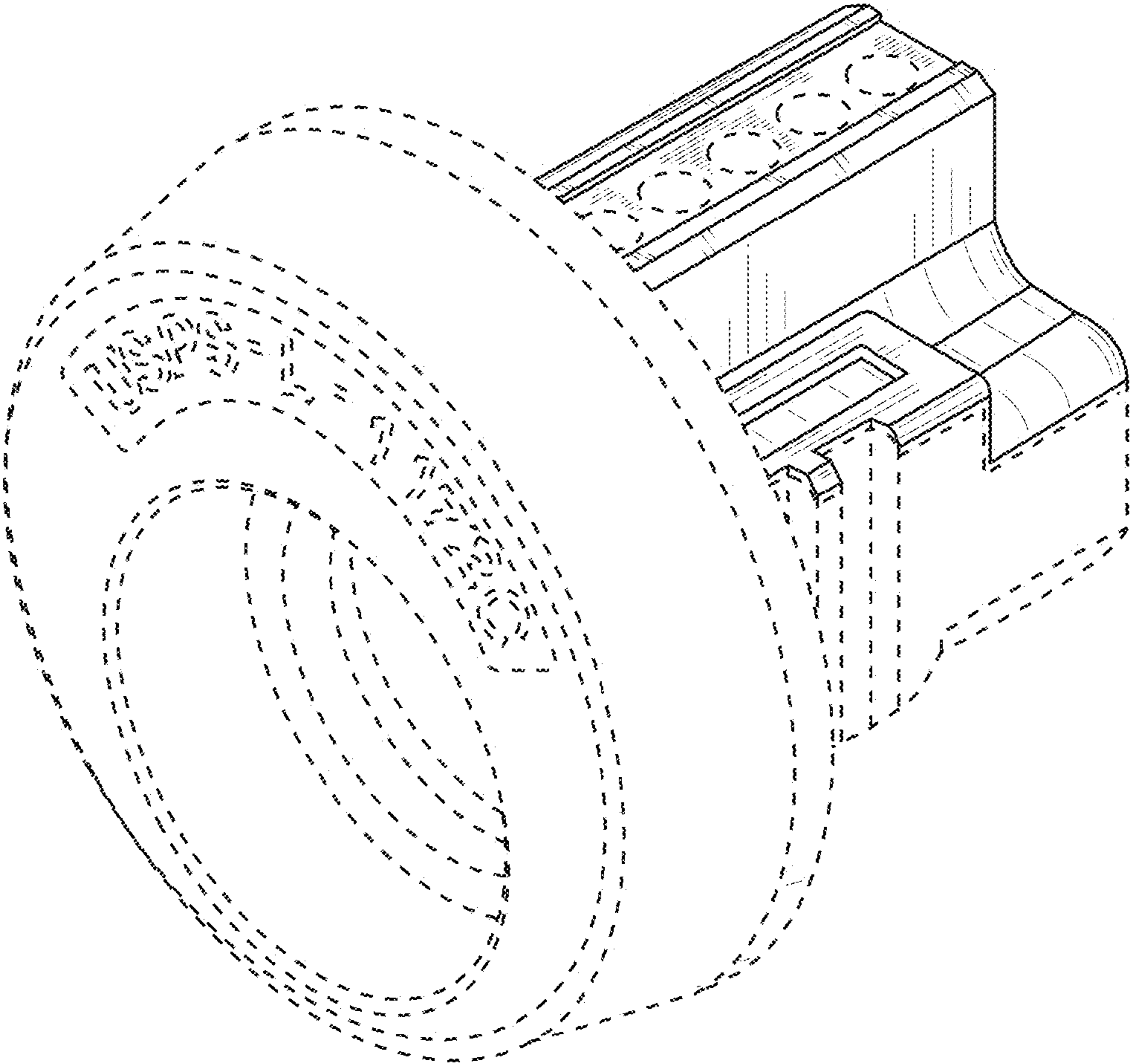


FIG. 1

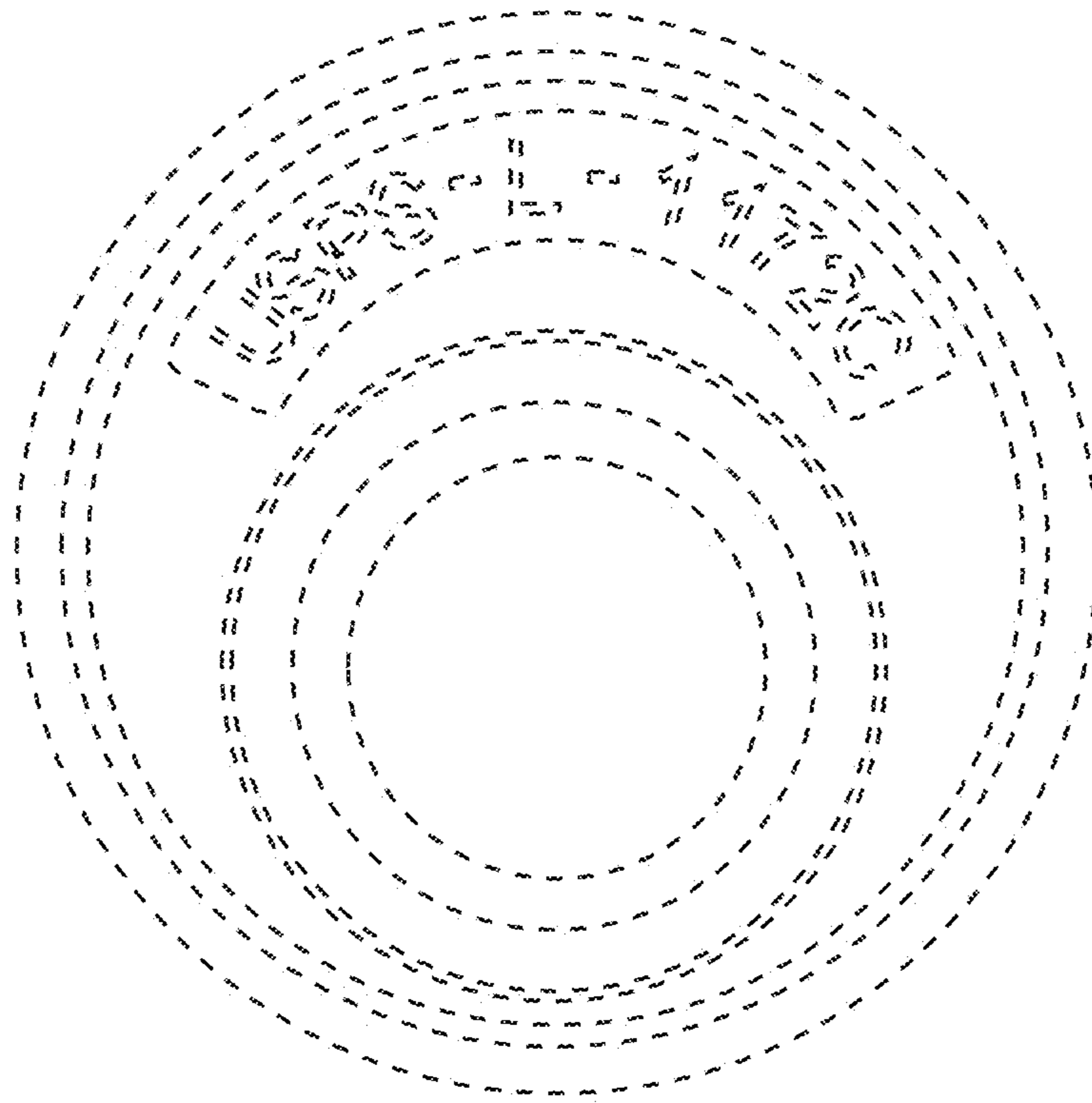


FIG. 2

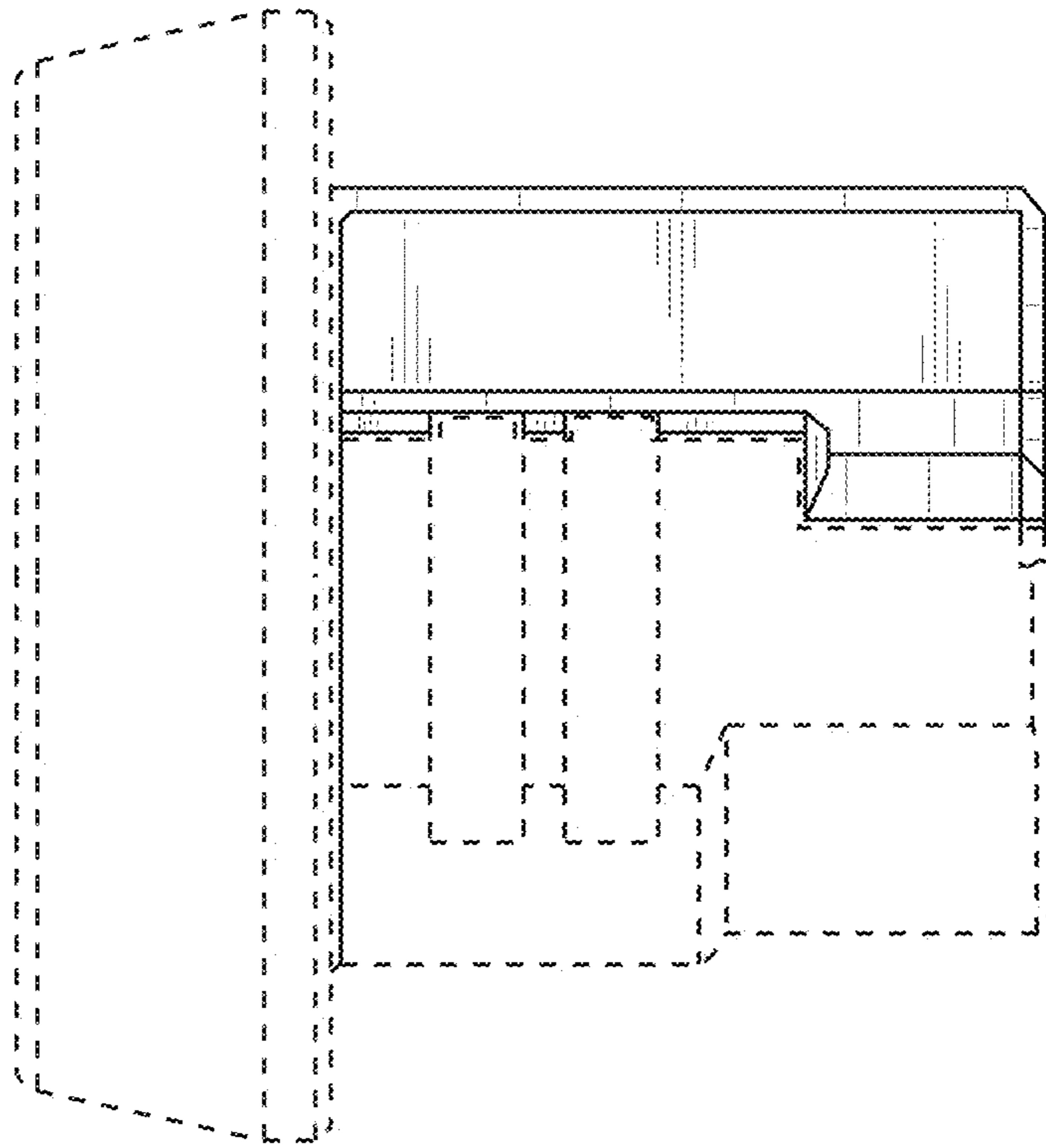


FIG. 3

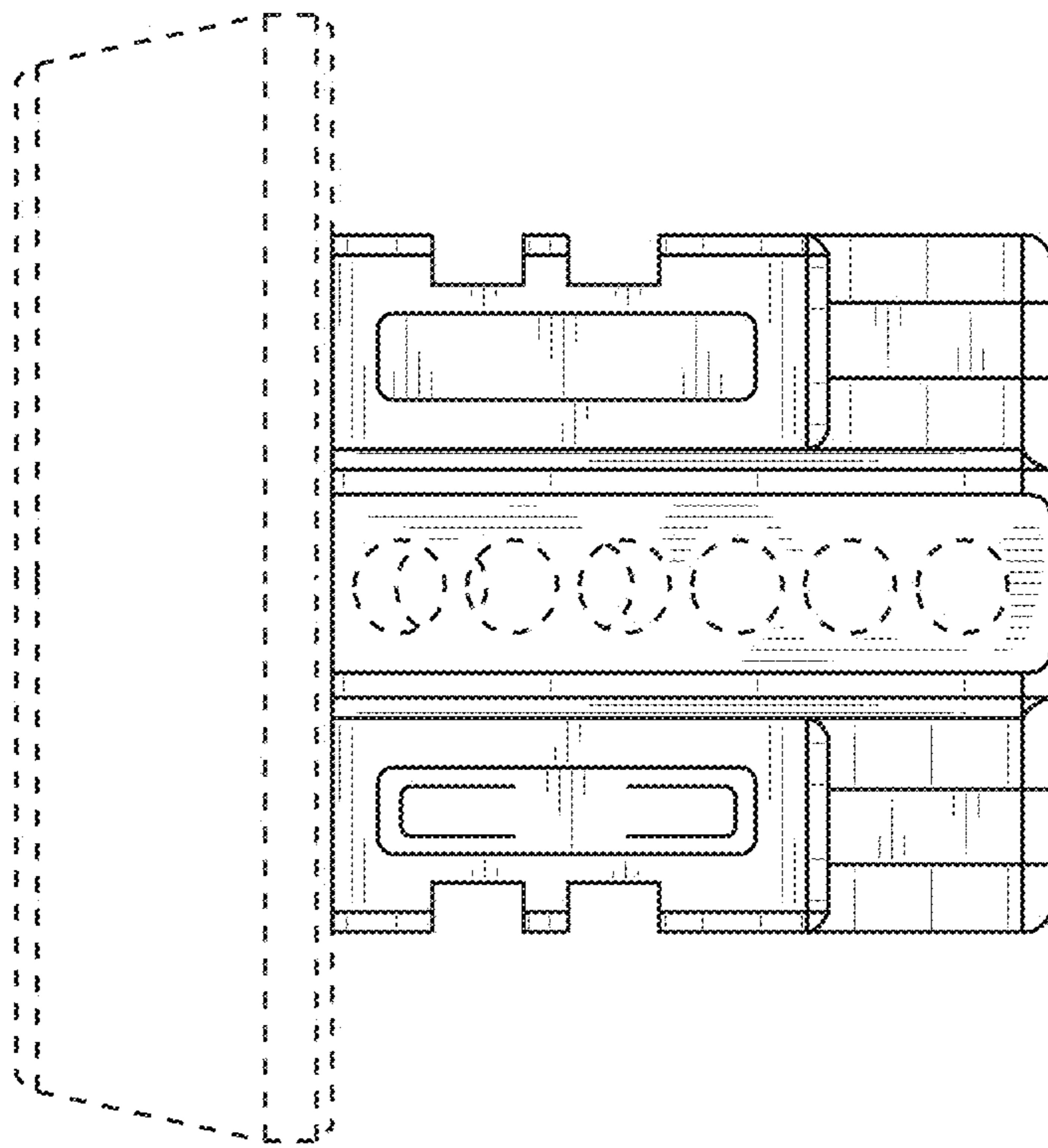


FIG. 4

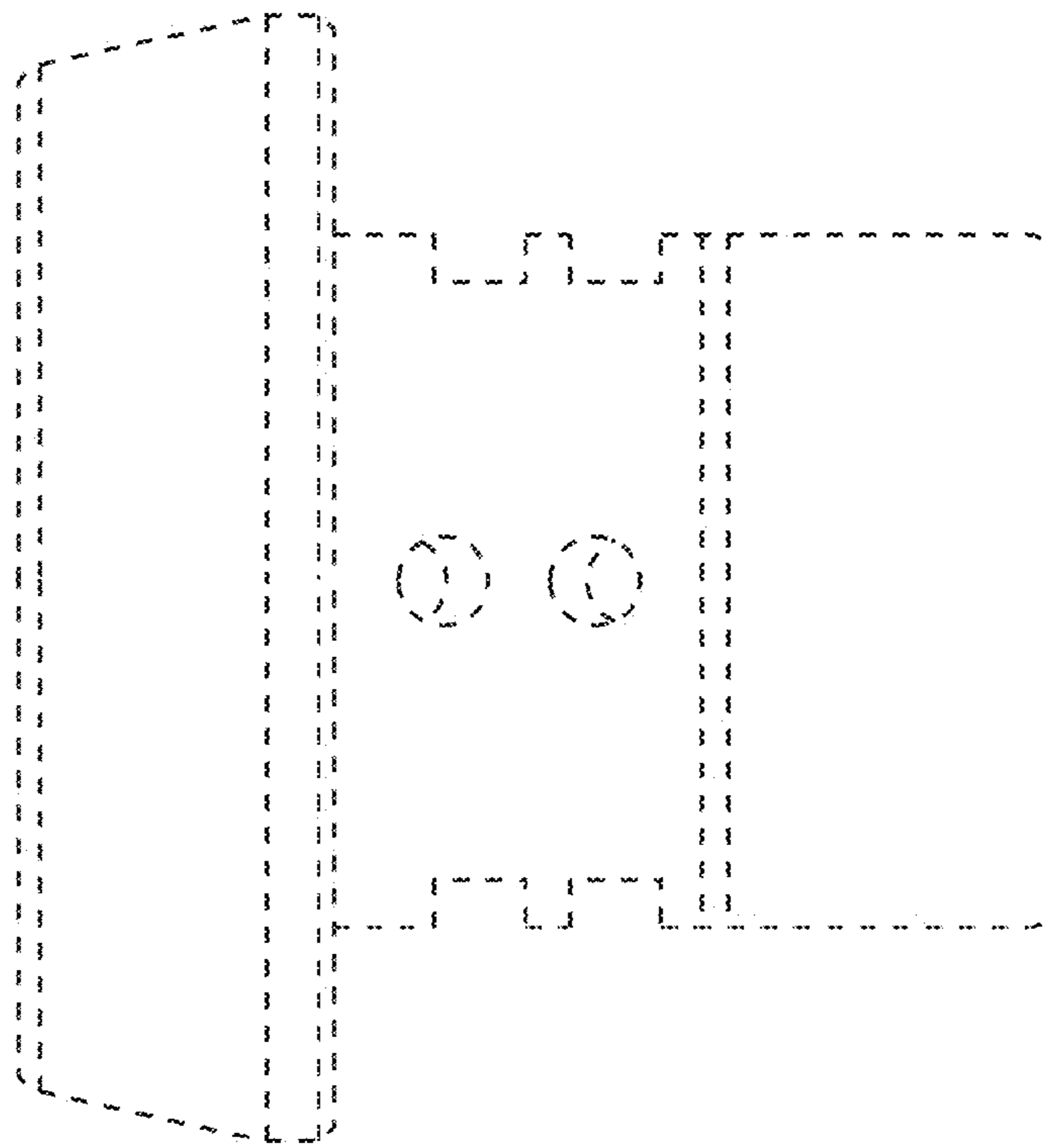


FIG. 5

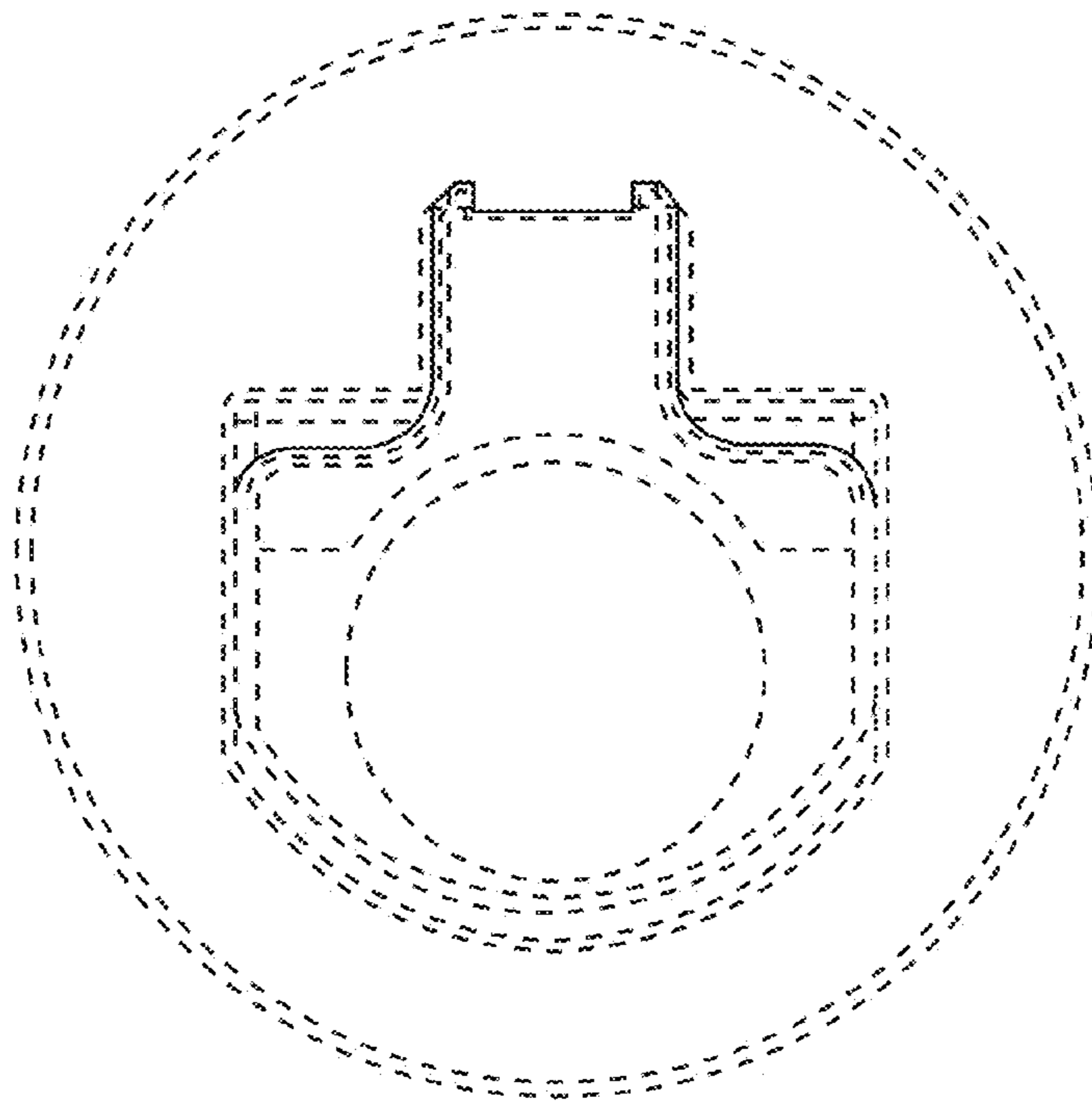


FIG. 6