



US00D692743S

(12) **United States Design Patent**  
**Liu**

(10) **Patent No.:** **US D692,743 S**  
(45) **Date of Patent:** **\*\* Nov. 5, 2013**

- (54) **STEERING WHEEL LOCK**
- (75) Inventor: **Wen-Kuei Liu, Taichung (TW)**
- (73) Assignee: **Nan Kai Industry Co., Ltd., Taichung (TW)**
- (\*\*) Term: **14 Years**
- (21) Appl. No.: **29/431,924**
- (22) Filed: **Sep. 12, 2012**
- (51) **LOC (9) Cl.** ..... **08-07**
- (52) **U.S. Cl.**  
USPC ..... **D8/331**
- (58) **Field of Classification Search**  
USPC ..... D8/330, 331, 333, 339, 343; 70/57,  
70/57.1, 237, 252, 465, 209; 340/426.31,  
340/426.1, 426.22-426.25, 438, 473, 471,  
340/425.5; 307/10.1, 10.2  
See application file for complete search history.

D348,206 S *	6/1994	Chen	.....	D8/331
6,550,297 B1 *	4/2003	Chen	.....	70/209
7,434,429 B1 *	10/2008	Yu	.....	70/209
7,576,638 B2 *	8/2009	Yu	.....	340/426.31

\* cited by examiner

*Primary Examiner* — Prabhakar Deshmukh  
(74) *Attorney, Agent, or Firm* — Muncy, Geissler, Olds & Lowe, PLLC

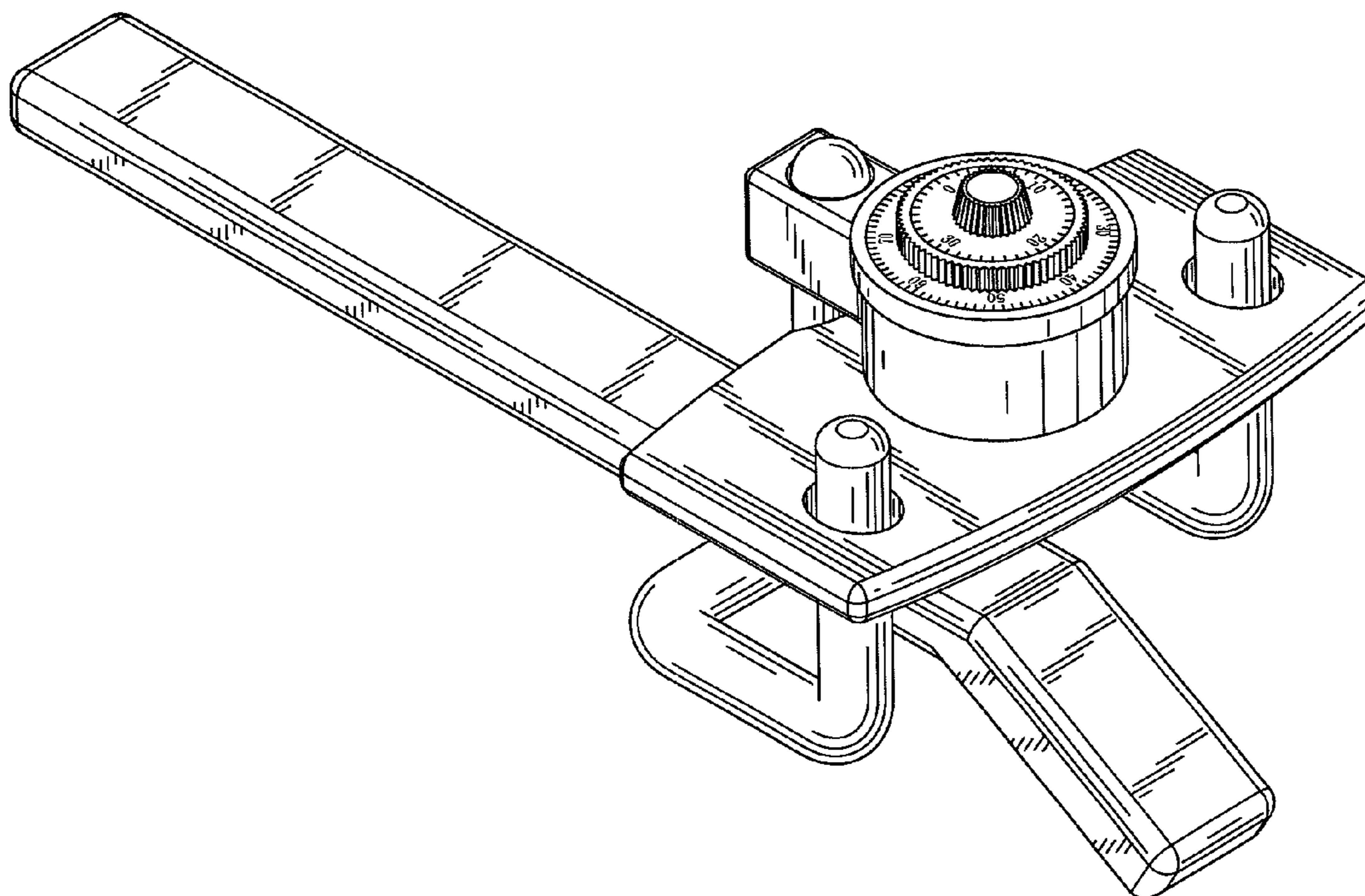
(57) **CLAIM**  
I claim the ornamental design for a steering wheel lock, as shown and described.

**DESCRIPTION**

FIG. 1 is a perspective view of a steering wheel lock showing my new design;  
FIG. 2 is a front view thereof;  
FIG. 3 is a rear view thereof;  
FIG. 4 is a left side view thereof;  
FIG. 5 is a right side view thereof;  
FIG. 6 is a top plan view thereof;  
FIG. 7 is a bottom plan view thereof; and,  
FIG. 8 is an embodiment showing the steering wheel lock in use.  
The broken lines in FIG. 8 are for the purpose of illustrating the environment of the design and form no part of the claimed design.

**1 Claim, 7 Drawing Sheets**

- (56) **References Cited**  
U.S. PATENT DOCUMENTS
- |               |         |             |       |        |
|---------------|---------|-------------|-------|--------|
| D289,491 S *  | 4/1987  | Johnson     | ..... | D8/330 |
| D306,253 S *  | 2/1990  | Solow       | ..... | D8/331 |
| D312,202 S *  | 11/1990 | Wang        | ..... | D8/341 |
| D323,611 S *  | 2/1992  | Jan et al.  | ..... | D8/331 |
| D323,969 S *  | 2/1992  | Wang        | ..... | D8/331 |
| D324,163 S *  | 2/1992  | Lo          | ..... | D8/331 |
| 5,107,692 A * | 4/1992  | Chen        | ..... | 70/209 |
| D330,500 S *  | 10/1992 | Chen        | ..... | D8/331 |
| 5,284,037 A * | 2/1994  | Chen et al. | ..... | 70/209 |



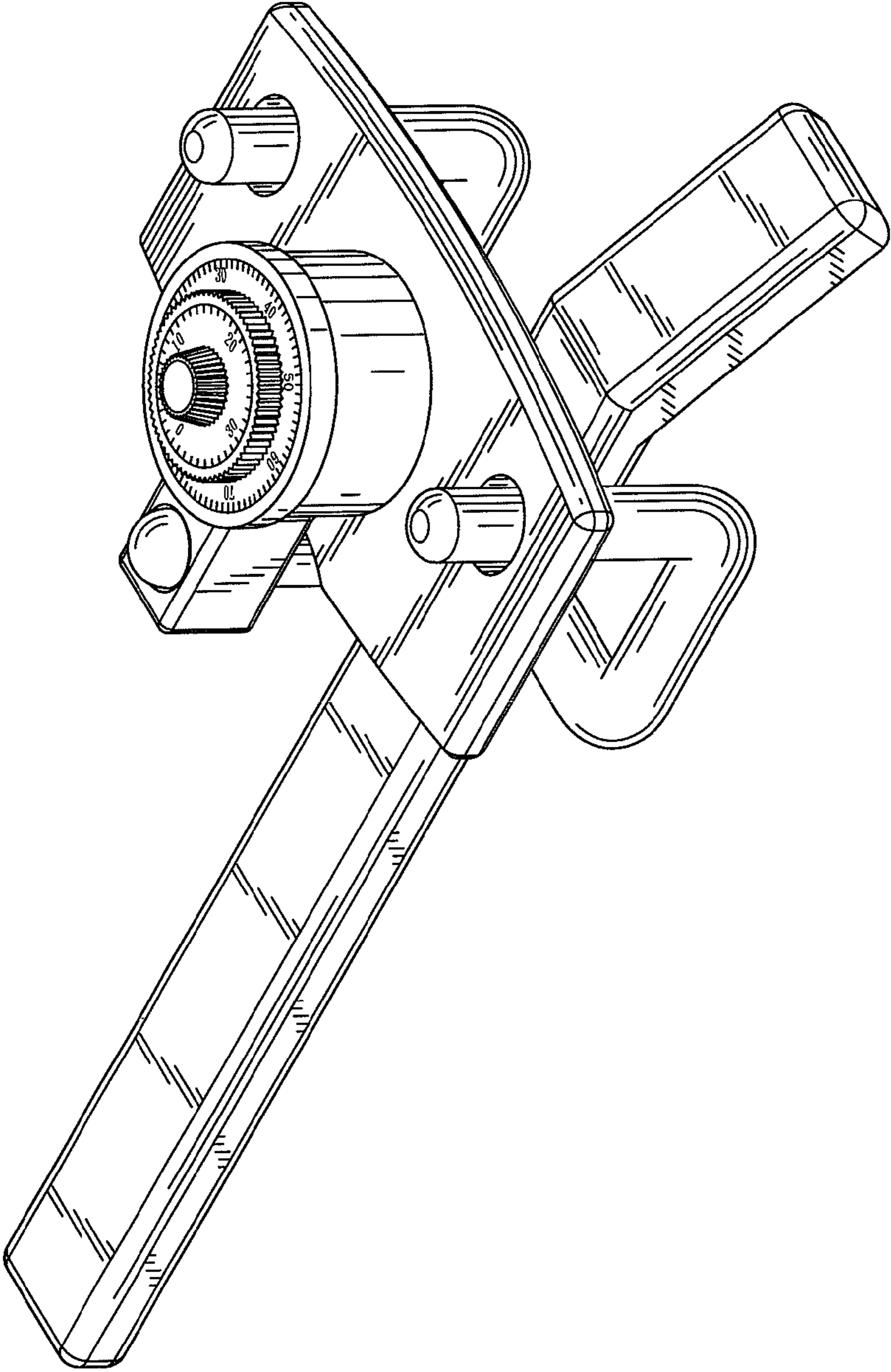


FIG. 1

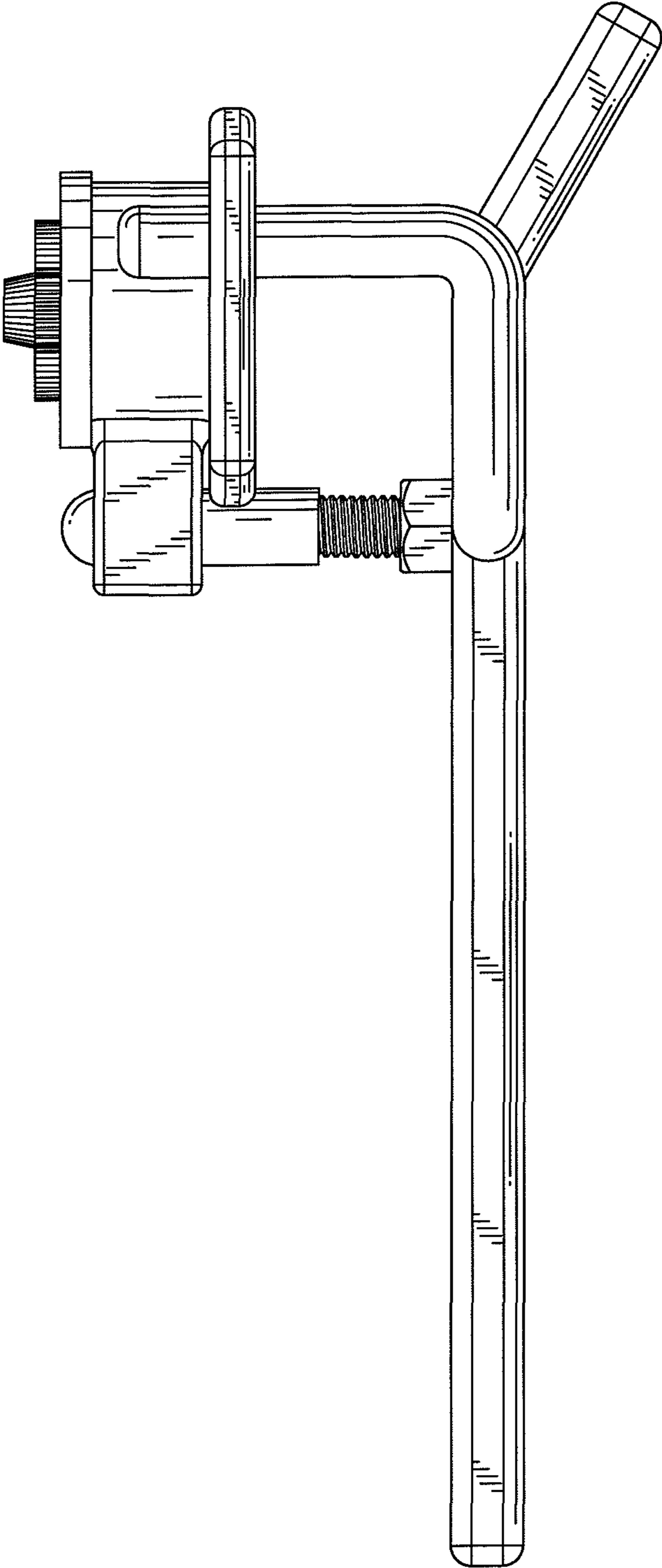


FIG. 2

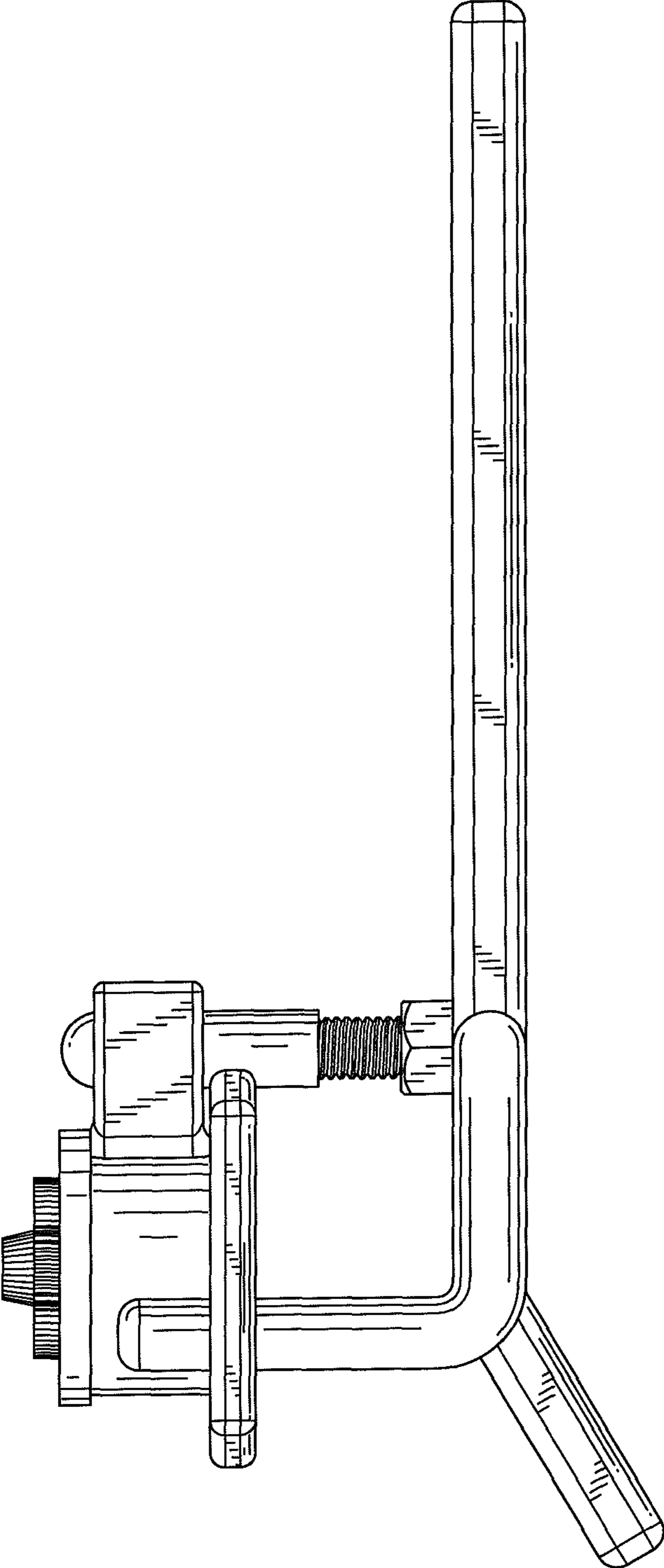


FIG. 3

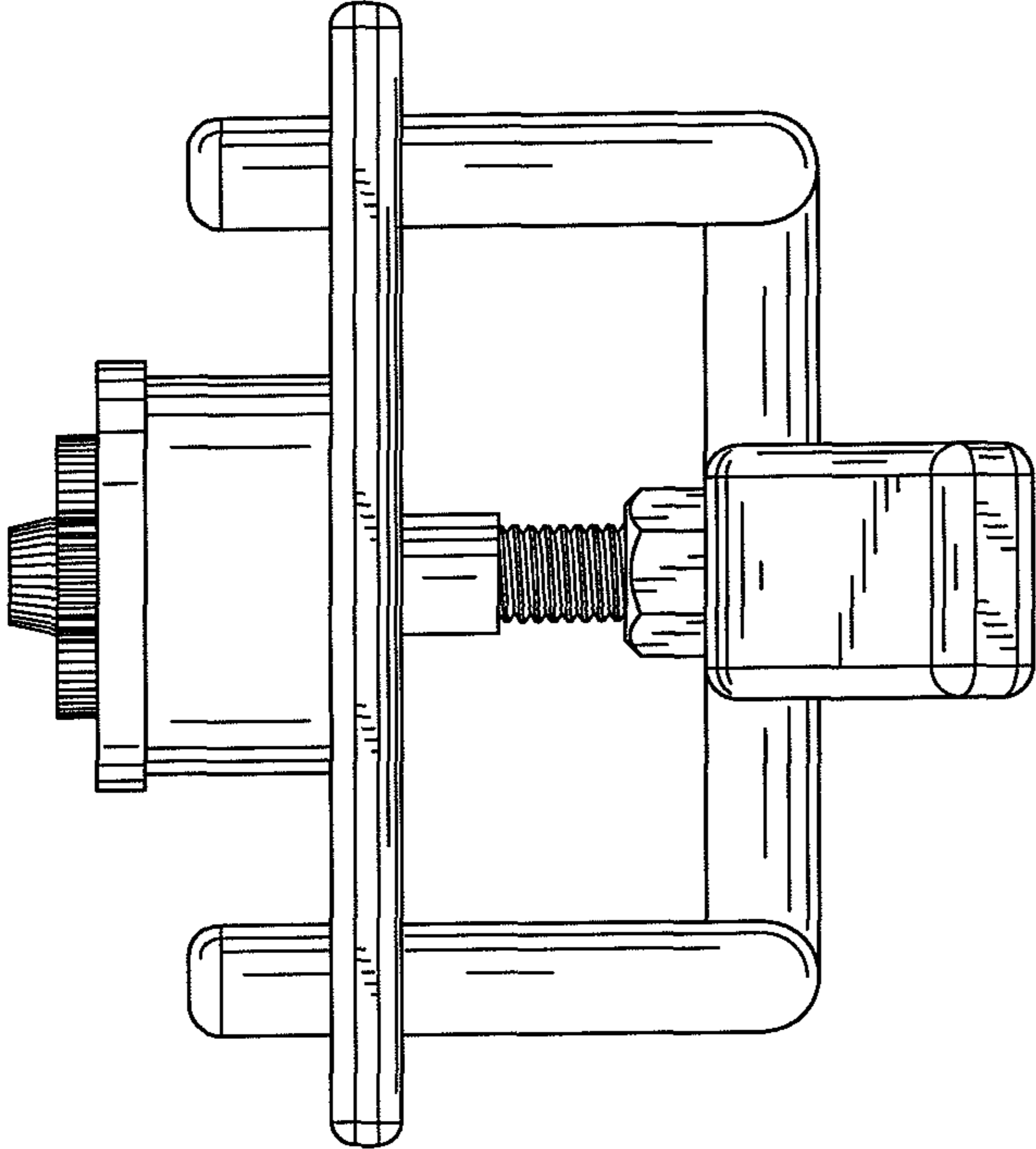


FIG. 5

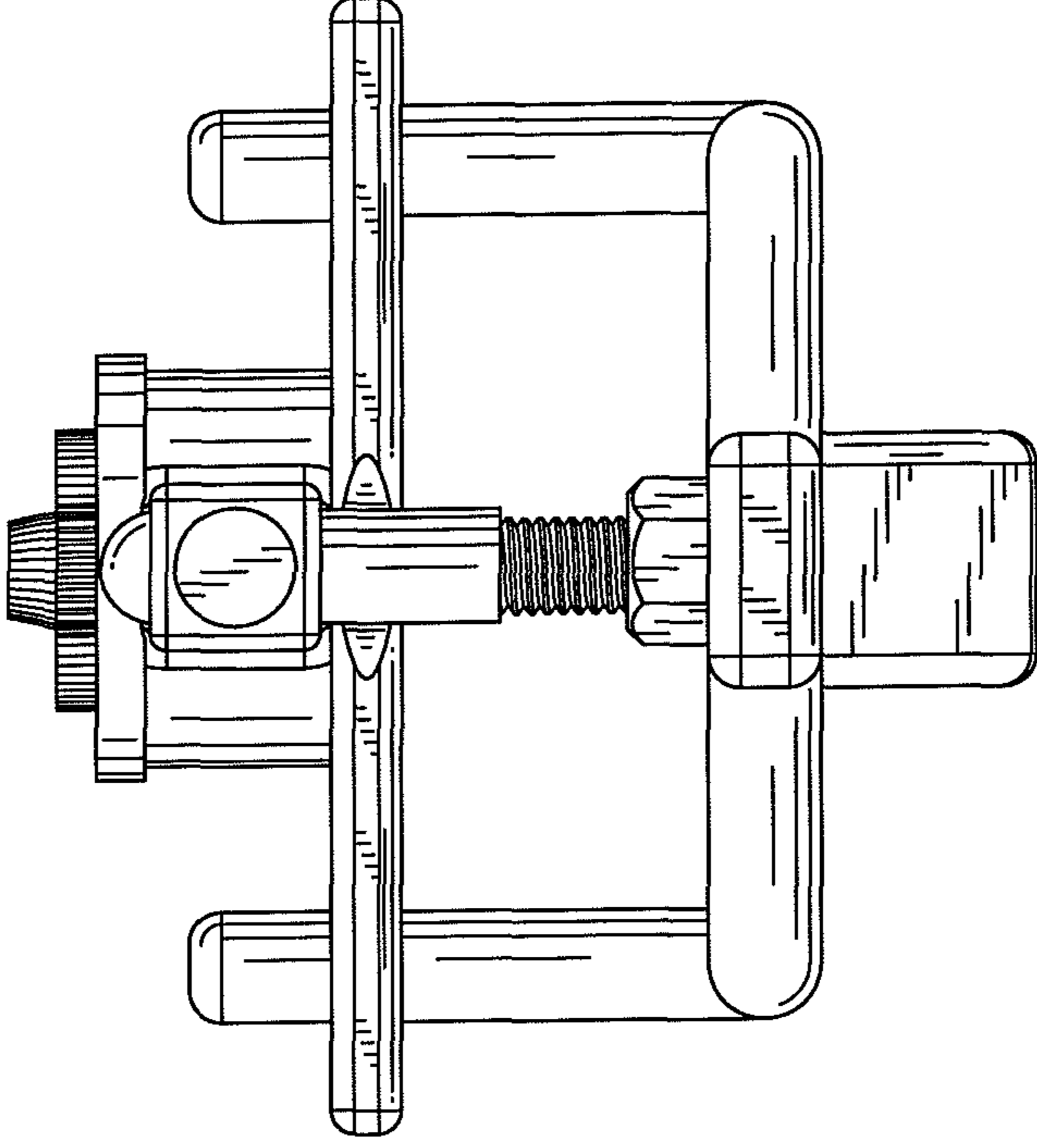


FIG. 4

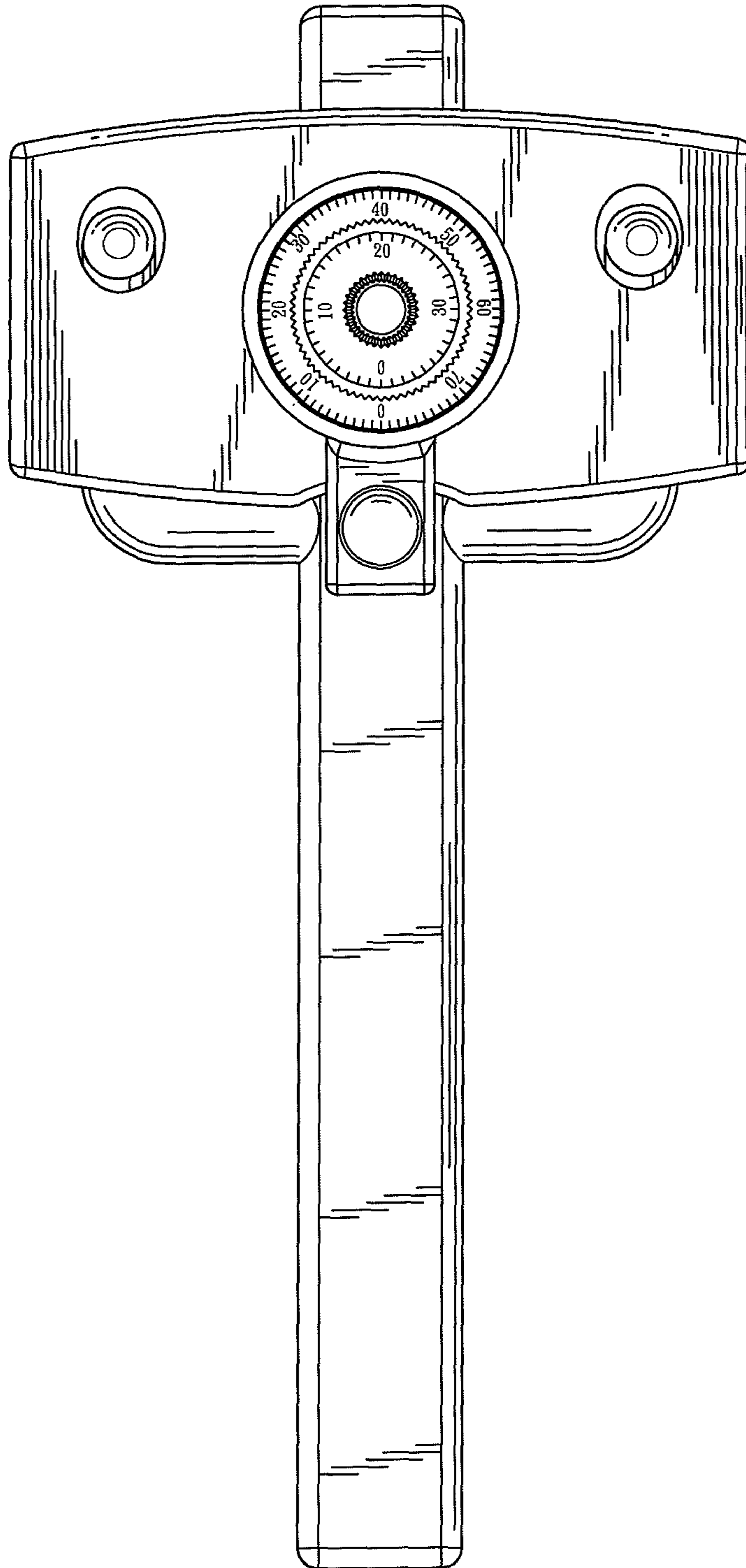


FIG. 6

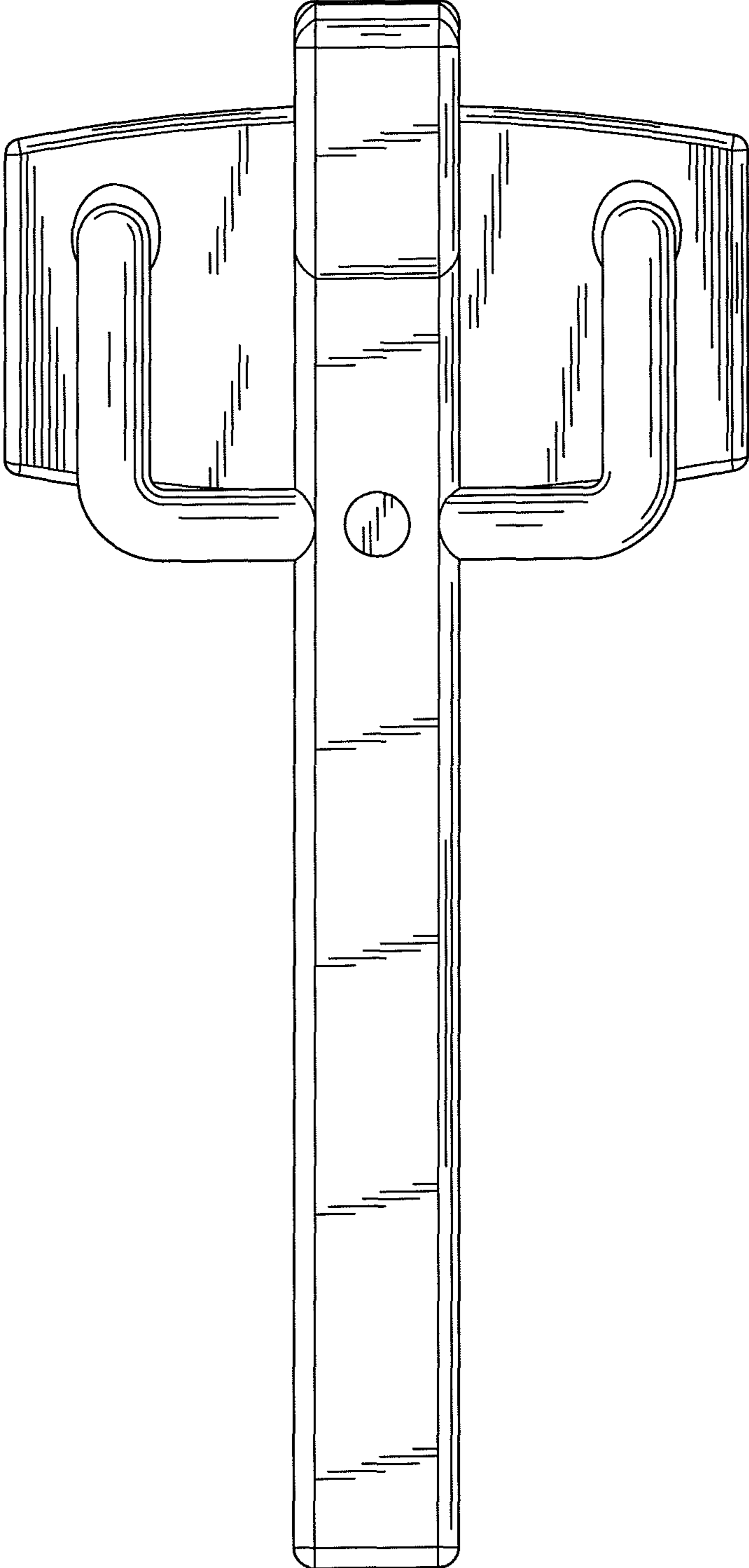


FIG. 7

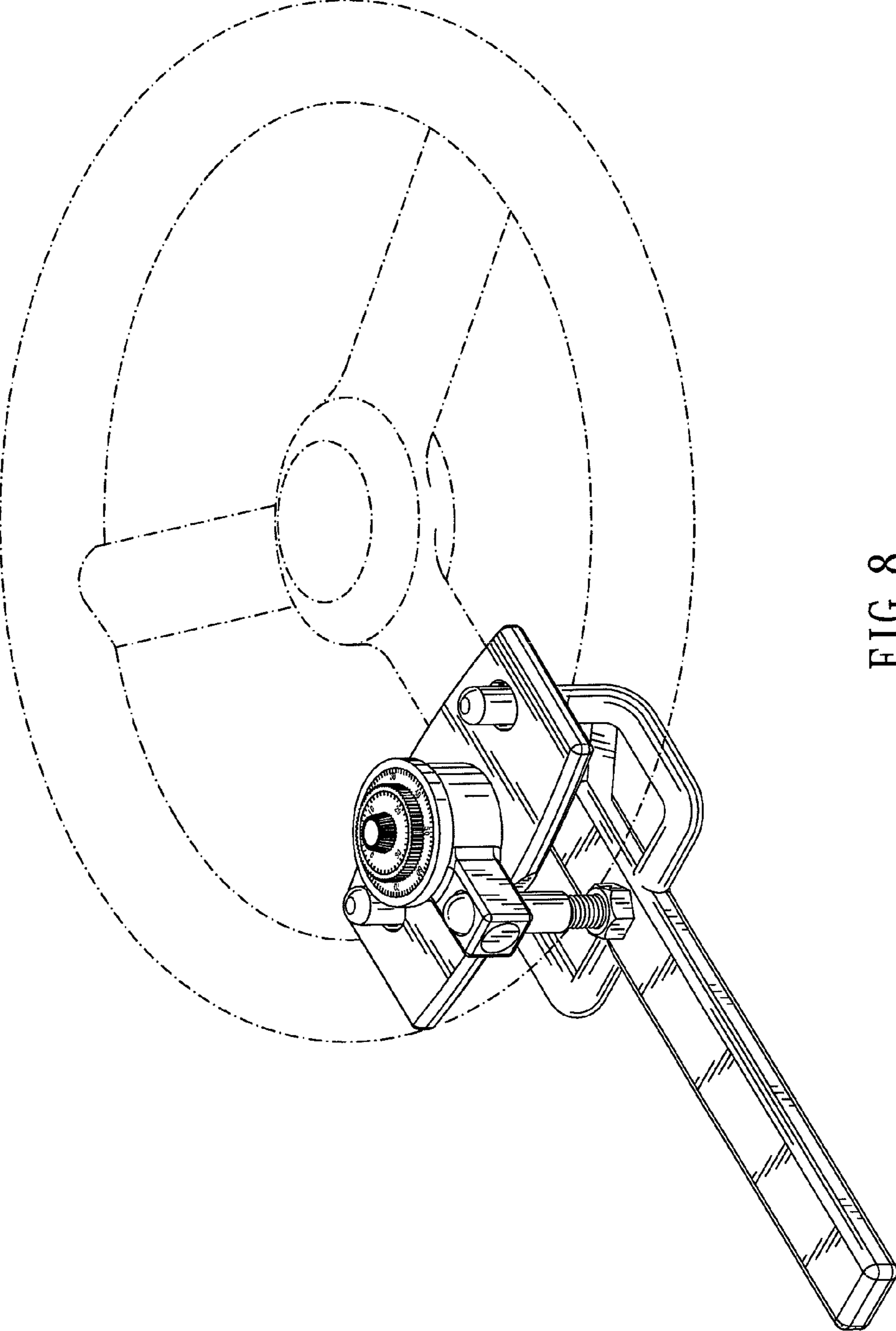


FIG. 8