



US00D692741S

(12) **United States Design Patent**
McRoberts et al.

(10) **Patent No.:** **US D692,741 S**
(45) **Date of Patent:** **** Nov. 5, 2013**

- (54) **POWER TOOL ATTACHMENT HEAD**
- (75) Inventors: **Jason McRoberts**, Red Lion, PA (US);
Steven McClaskey, North Las Vegas,
NV (US); **Thomas W. Murray**,
Baltimore, MD (US)
- (73) Assignee: **Black & Decker Inc.**, Newark, DE (US)
- (**) Term: **14 Years**
- (21) Appl. No.: **29/426,951**
- (22) Filed: **Jul. 12, 2012**

6,263,980	B1	7/2001	Wadge	
D447,037	S *	8/2001	Netzler	D8/70
D447,038	S *	8/2001	Netzler	D8/70
6,286,611	B1	9/2001	Bone	
6,553,642	B2	4/2003	Drissen	
6,634,439	B2	10/2003	Driessen	
6,641,467	B1	11/2003	Robson et al.	
6,675,911	B2	1/2004	Driessen	
D587,978	S *	3/2009	Aglassinger	D8/70
D626,395	S *	11/2010	Lau et al.	D8/70
D627,204	S *	11/2010	Harrison et al.	D8/70
D683,605	S *	6/2013	Keith et al.	D8/70
D683,606	S *	6/2013	Keith et al.	D8/70

* cited by examiner

Primary Examiner — Antoine D Davis

(74) *Attorney, Agent, or Firm* — Stephen R. Valancius

Related U.S. Application Data

- (63) Continuation of application No. 29/412,685, filed on Feb. 7, 2012, now Pat. No. Des. 665,645, which is a continuation of application No. 29/406,315, filed on Nov. 11, 2011, now Pat. No. Des. 665,644.

(51) **LOC (9) Cl.** **08-05**

(52) **U.S. Cl.**
USPC **D8/70**

(58) **Field of Classification Search**
USPC D8/70; 7/158; 29/453, 525, 560;
30/500, DIG. 1; 173/29, 170, 171, 216,
173/217; 200/43.16, 20.01, 61.58 R, 334;
310/50; 408/4, 20, 22, 31; 451/334,
451/363, 415

See application file for complete search history.

(56) **References Cited**

U.S. PATENT DOCUMENTS

D420,267	S *	2/2000	Robson	D8/70
6,153,838	A	11/2000	Wadge	
6,170,579	B1	1/2001	Wadge	
6,176,322	B1	1/2001	Wadge	
6,206,107	B1	3/2001	Wadge	

(57) **CLAIM**

The ornamental design for a power tool attachment head, as shown and described.

DESCRIPTION

FIG. 1 is a perspective view of a power tool attachment head according to the present invention;

FIG. 2 is a front view of the power tool attachment head of FIG. 1;

FIG. 3 is a back view of the power tool attachment head of FIG. 1;

FIG. 4 is a right side view of the power tool attachment head of FIG. 1;

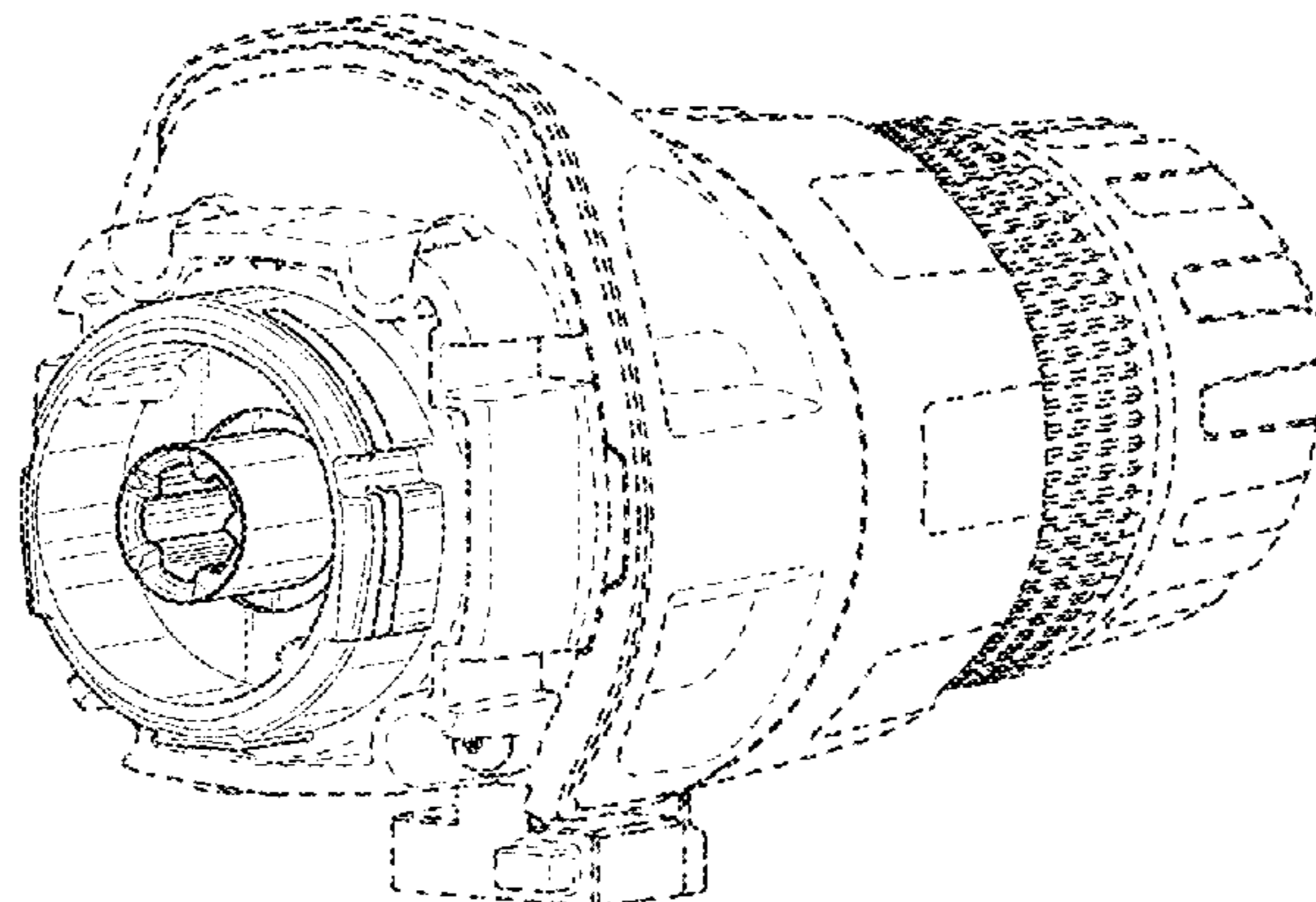
FIG. 5 is a left side view of the power tool attachment head of FIG. 1;

FIG. 6 is a top view of the power tool attachment head of FIG. 1; and,

FIG. 7 is a bottom view of the power tool attachment head of FIG. 1.

The broken lines in the figures illustrate features that form no part of the claimed design.

1 Claim, 6 Drawing Sheets



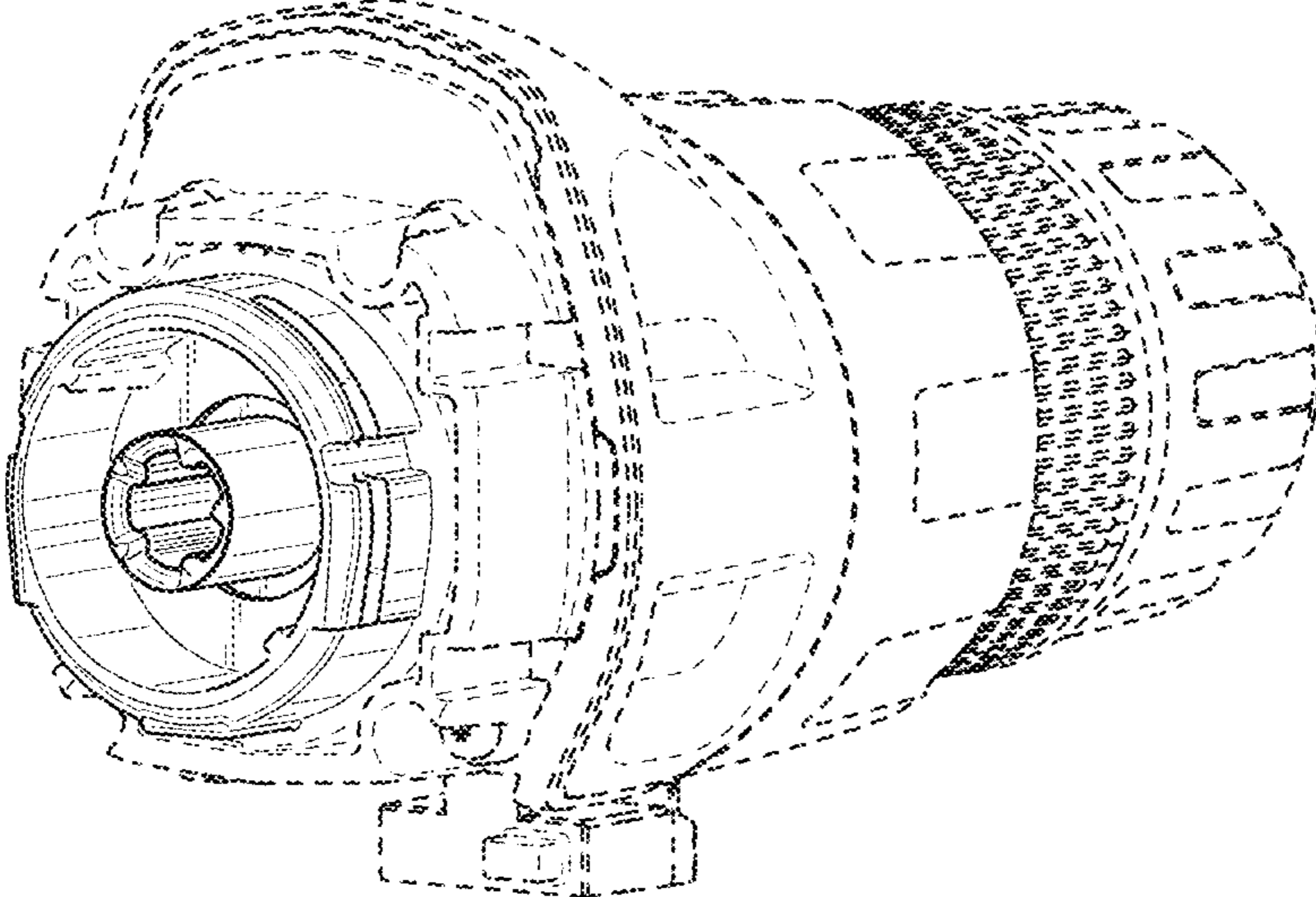


FIG. 1

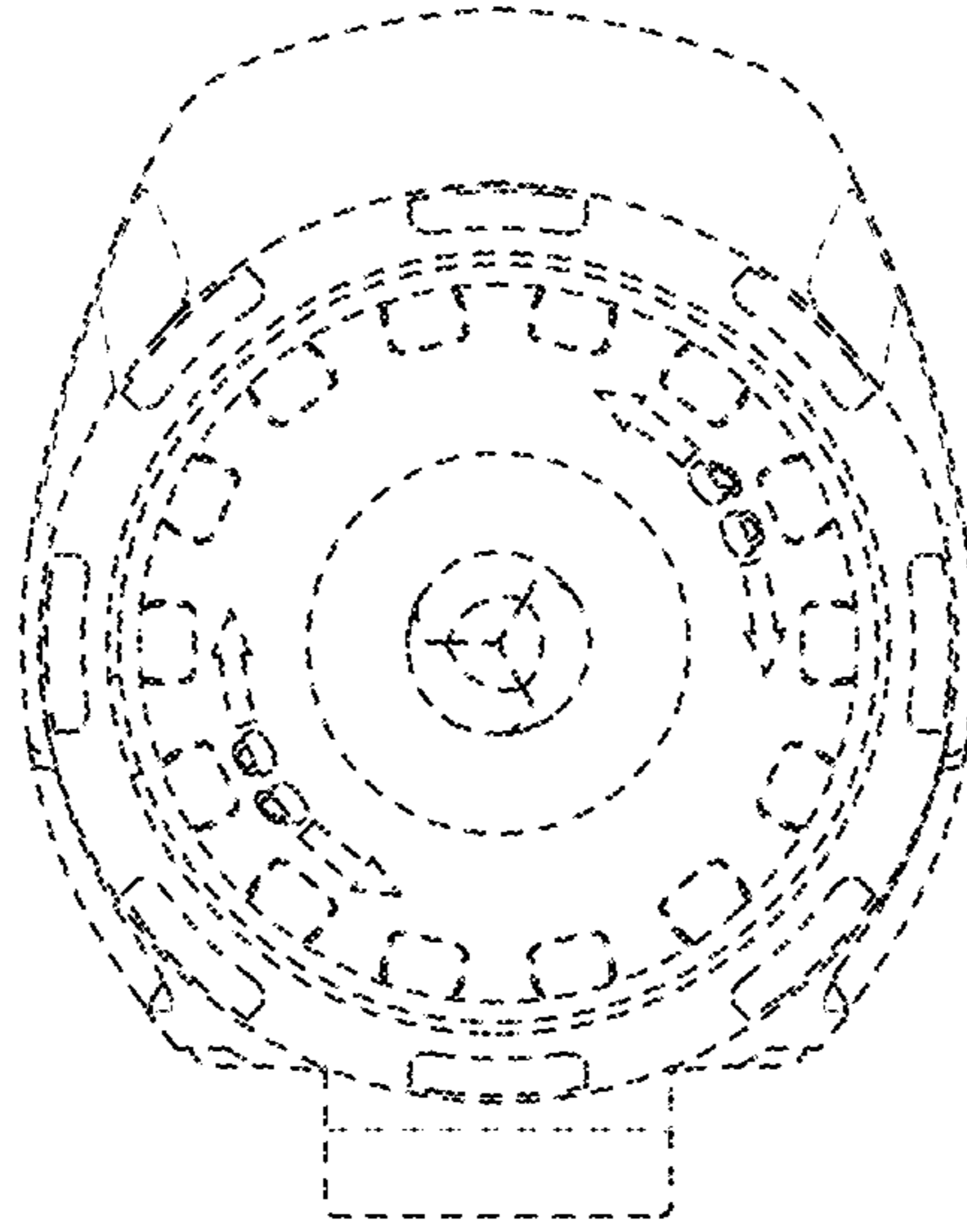


FIG. 2

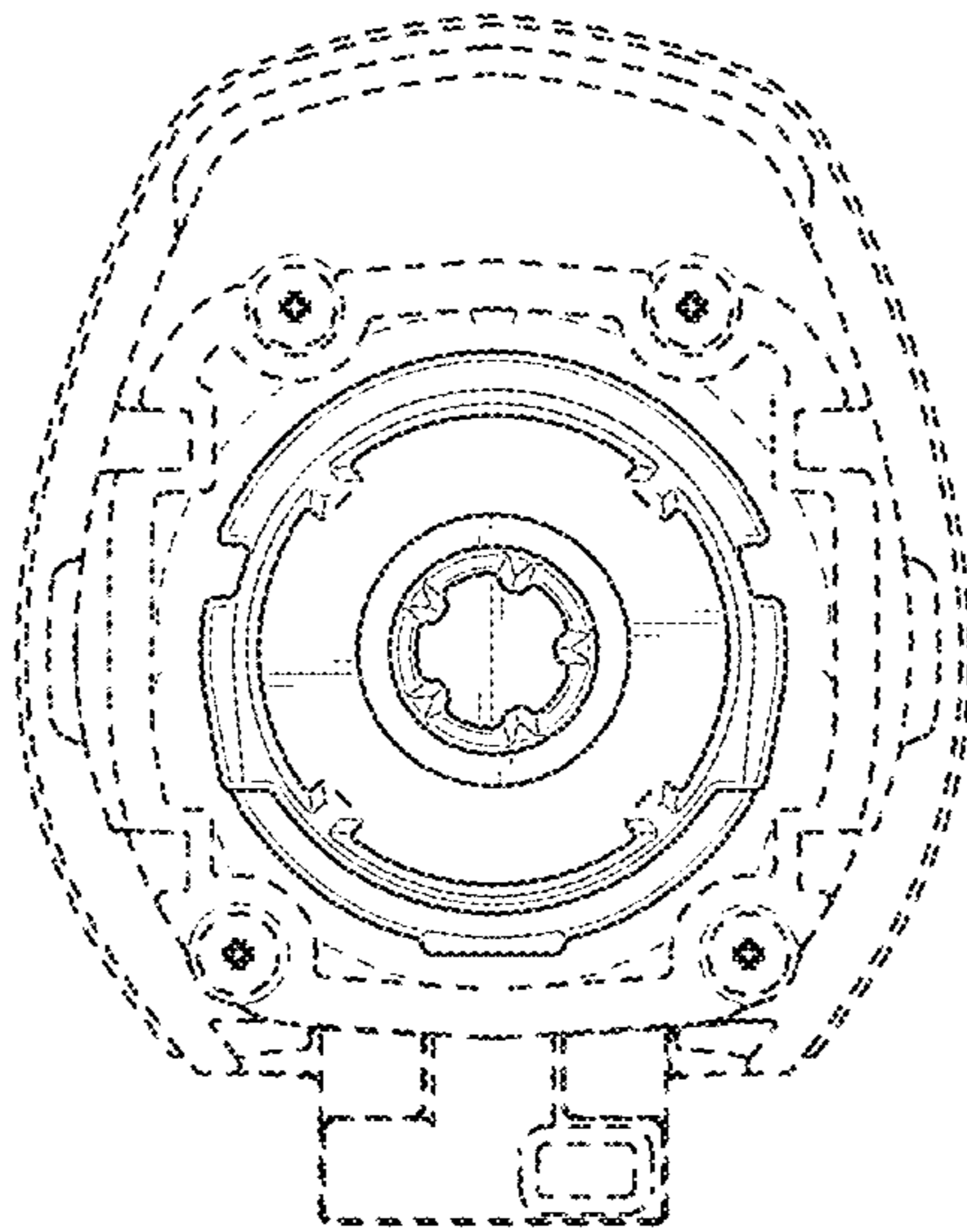


FIG. 3

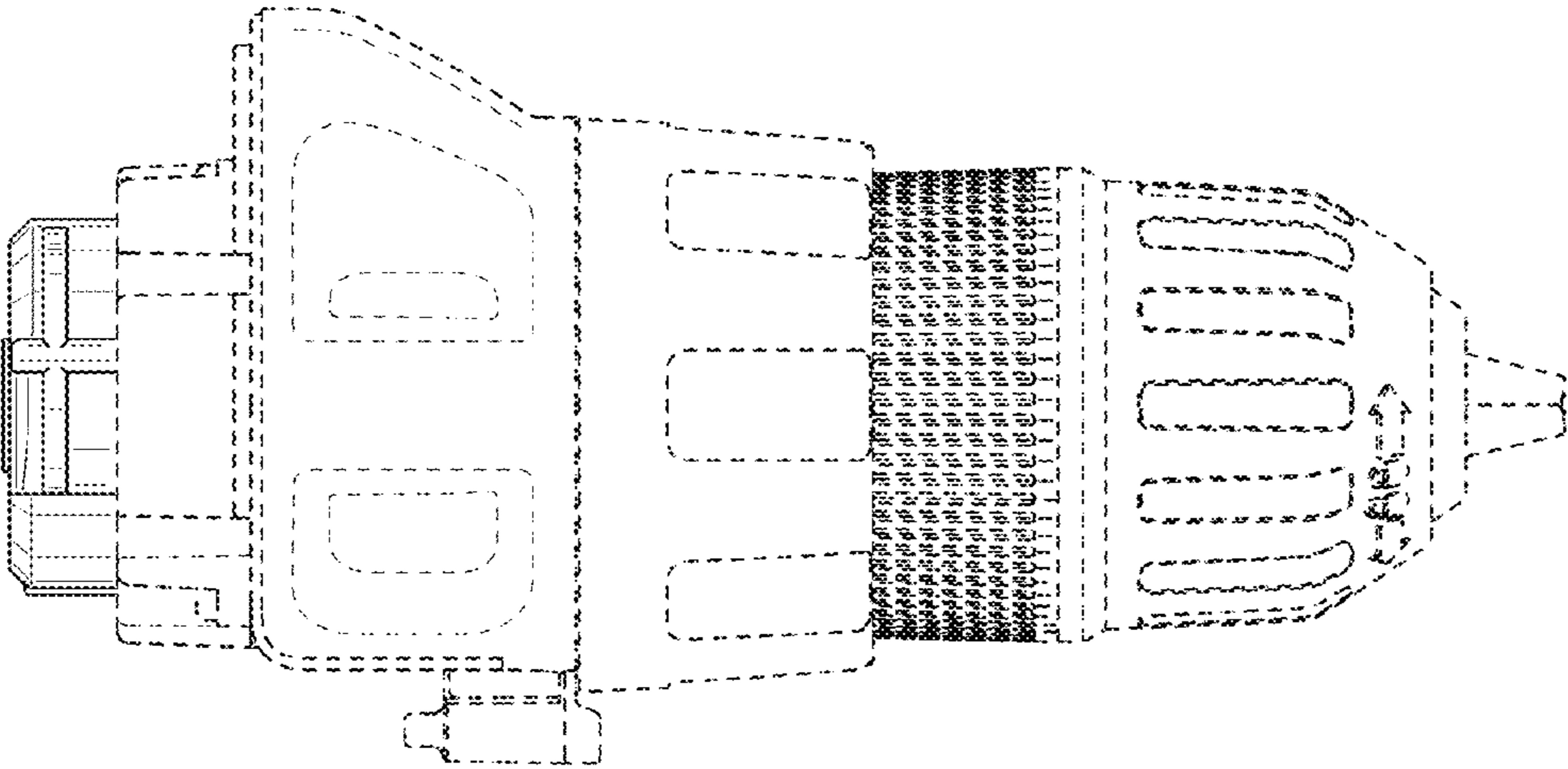


FIG. 4

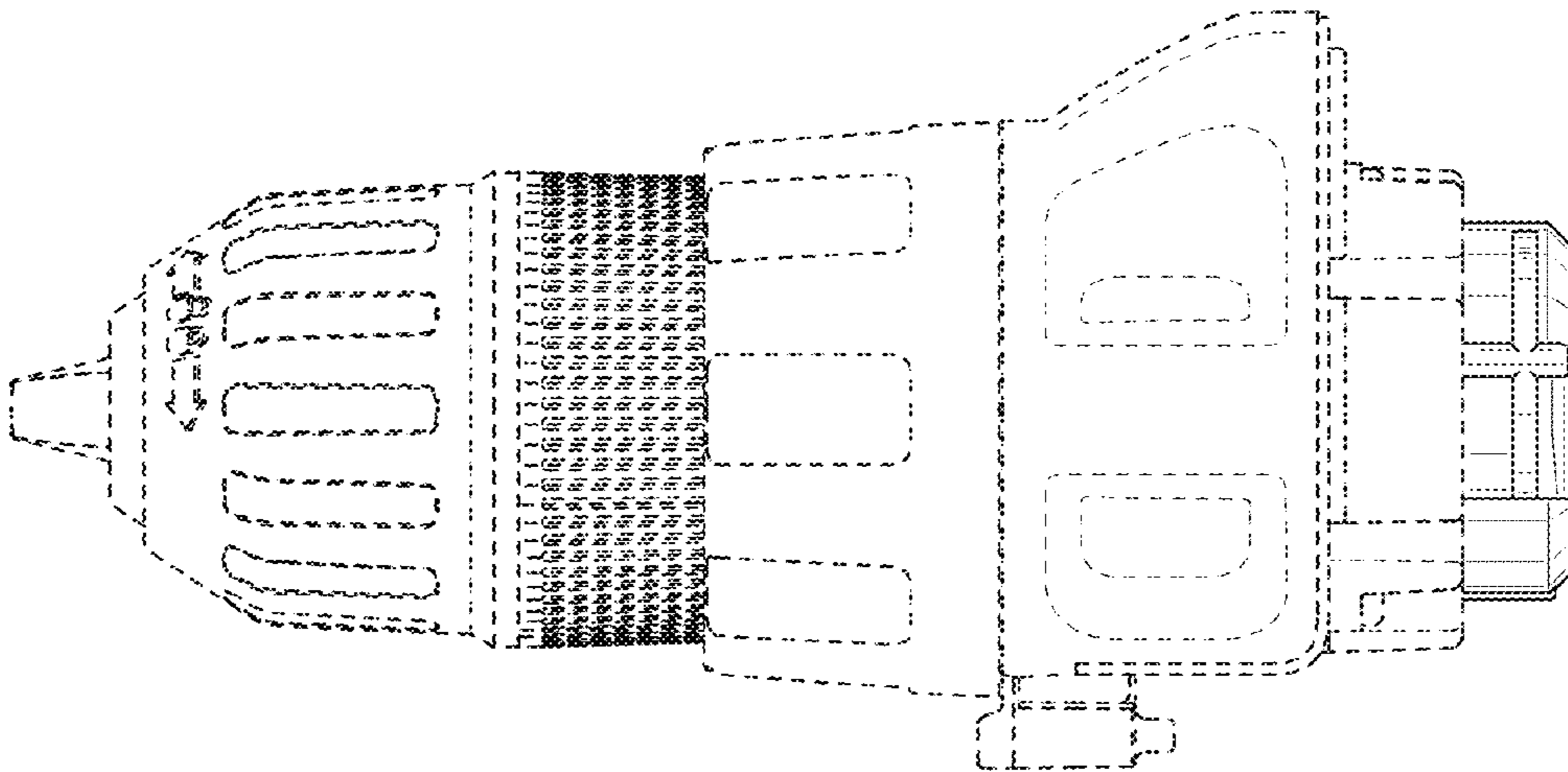


FIG. 5

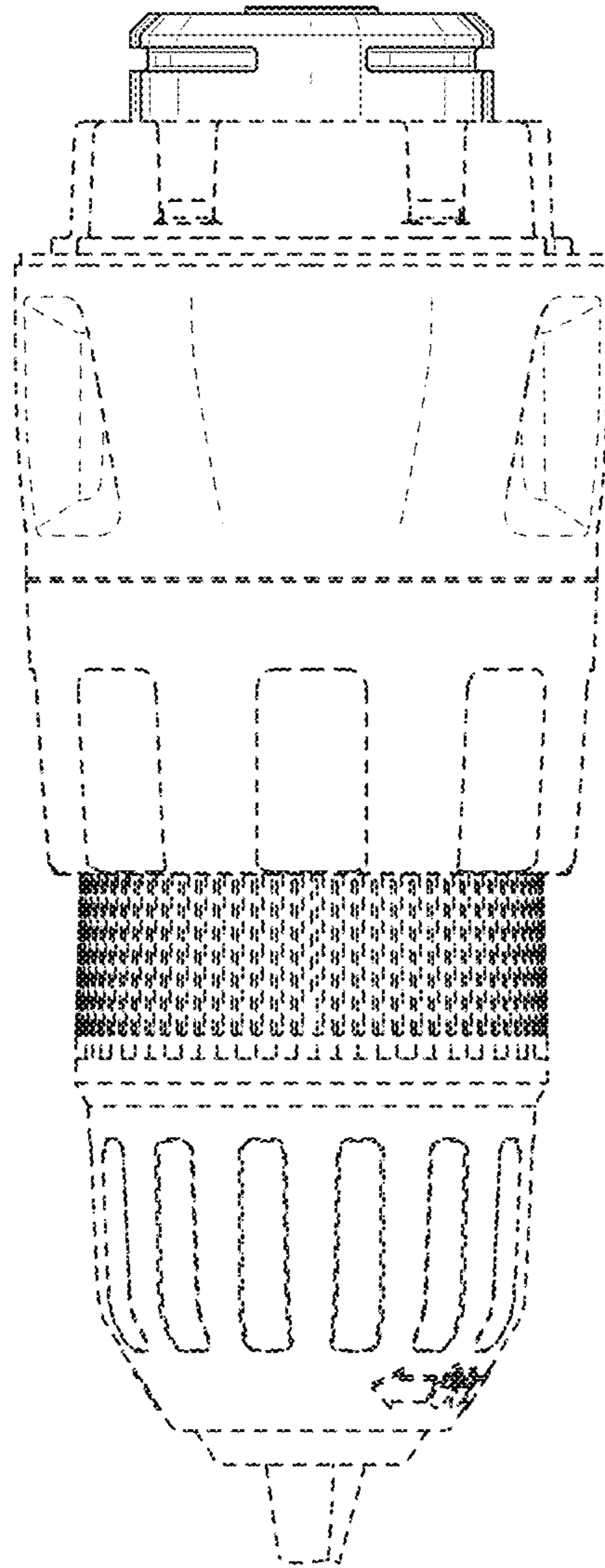


FIG. 6

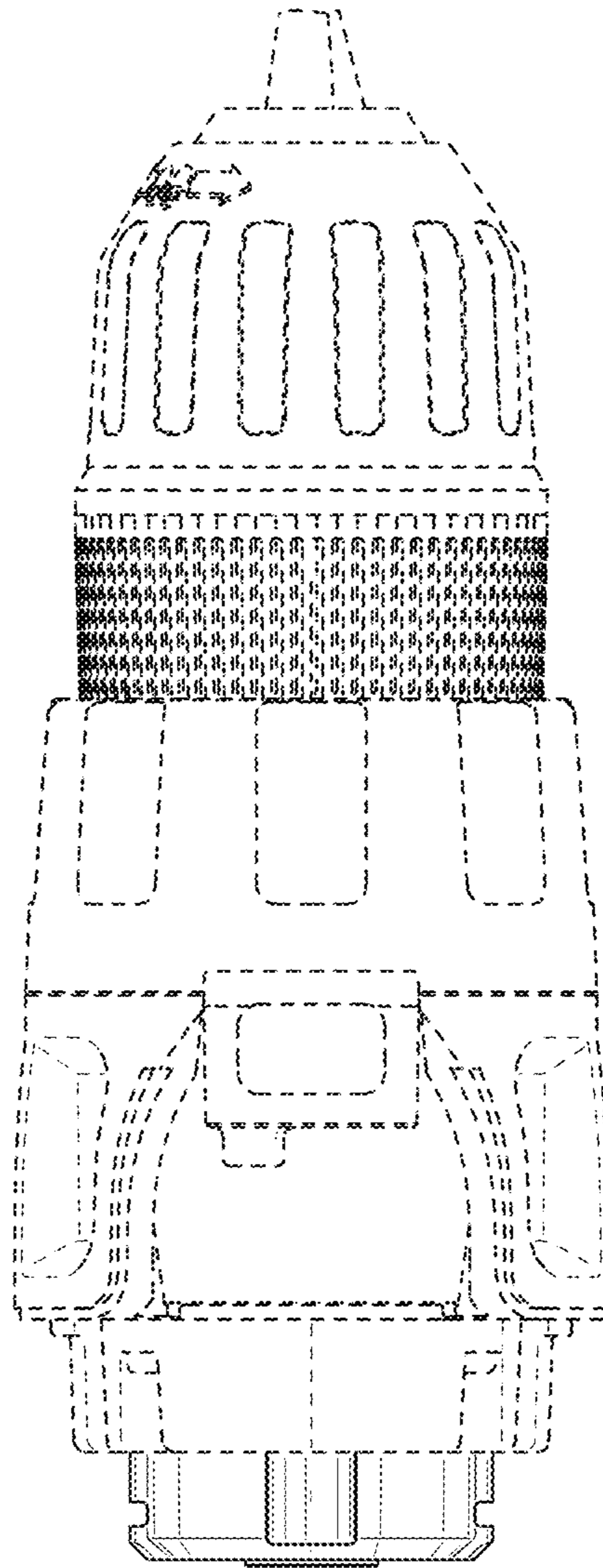


FIG. 7