

US00D692739S

(12) **United States Design Patent**
Hasegawa et al.

(10) **Patent No.:** **US D692,739 S**

(45) **Date of Patent:** **** Nov. 5, 2013**

(54) **PUSHING PART FOR AN OPTICAL FIBER CUTTER**

D641,600 S * 7/2011 Fukuda et al. D8/29.1

* cited by examiner

(75) Inventors: **Masahiro Hasegawa**, Yokohama (JP);
Hiroyasu Toyooka, Yokohama (JP);
Hiroshi Nakamura, Yokohama (JP)

Primary Examiner — Sheryl Lane

(74) *Attorney, Agent, or Firm* — McDermott Will & Emery LLP

(73) Assignee: **SEI Optifrontier Co., Ltd.**, Kanagawa (JP)

(57) **CLAIM**

The ornamental design for a pushing part for an optical fiber cutter, as shown and described.

(**) Term: **14 Years**

DESCRIPTION

(21) Appl. No.: **29/402,288**

FIG. 1 is a front view of the pushing part for an optical fiber cutter, showing the new design;

(22) Filed: **Sep. 22, 2011**

FIG. 2 is a rear view of the pushing part for an optical fiber cutter;

(30) **Foreign Application Priority Data**

Mar. 22, 2011 (JP) D2011-006462

FIG. 3 is a top plan view of the pushing part for an optical fiber cutter;

(51) **LOC (9) Cl.** **08-05**

FIG. 4 is a bottom view of the pushing part for an optical fiber cutter;

(52) **U.S. Cl.**
USPC **D8/51**

FIG. 5 is a right side view of the pushing part for an optical fiber cutter;

(58) **Field of Classification Search**
USPC D8/51, 14, 70.1, 98, 5, 52;
385/134–137; 30/192

FIG. 6 is a left side view of the pushing part for an optical fiber cutter;

See application file for complete search history.

FIG. 7 is a top perspective view of the pushing part for an optical fiber cutter;

(56) **References Cited**

U.S. PATENT DOCUMENTS

D150,002	S *	6/1948	Eisenberg	D8/70.1
3,229,557	A *	1/1966	Kapilow	83/451
5,501,385	A *	3/1996	Halpin	225/96
6,189,757	B1 *	2/2001	Yoshida et al.	225/96
6,754,426	B2 *	6/2004	Lee et al.	385/136
7,070,078	B2 *	7/2006	Song	225/105
7,305,169	B2 *	12/2007	Honma	385/136
7,391,951	B2 *	6/2008	Hayashi et al.	385/134
7,539,389	B2 *	5/2009	Brinson et al.	385/137

FIG. 8 is a bottom perspective view of the pushing part for an optical fiber cutter;

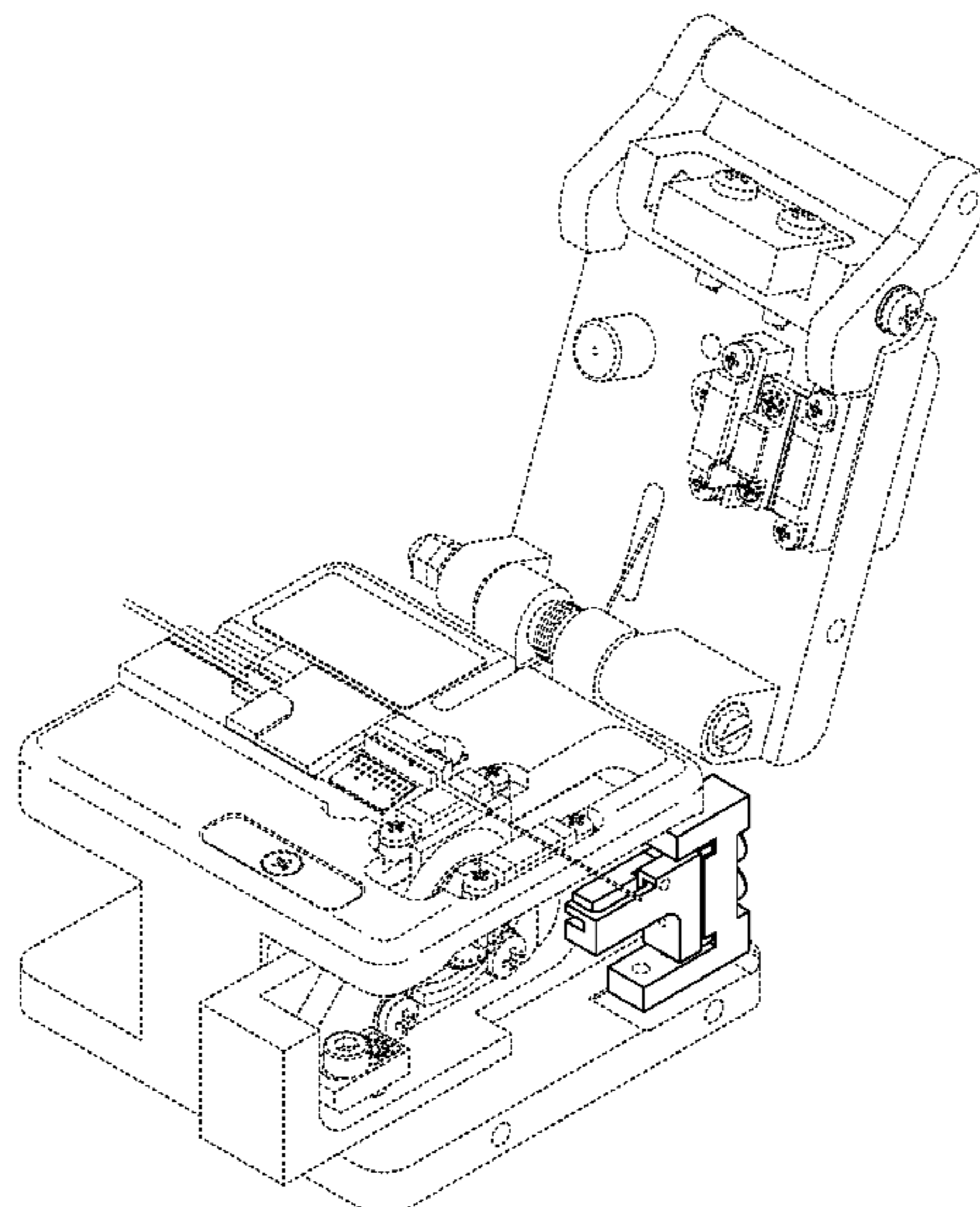
FIG. 9 is a front view of the pushing part for an optical fiber cutter, with a plate lowered;

FIG. 10 is a perspective view of the pushing part for an optical fiber cutter, in use; and,

FIG. 11 is a front view of the pushing part for an optical fiber cutter, in use.

The broken lines showing various elements of the pushing part for an optical fiber cutter are included for the purpose of illustrating non-claimed subject matter and form no part of the claimed design.

1 Claim, 11 Drawing Sheets



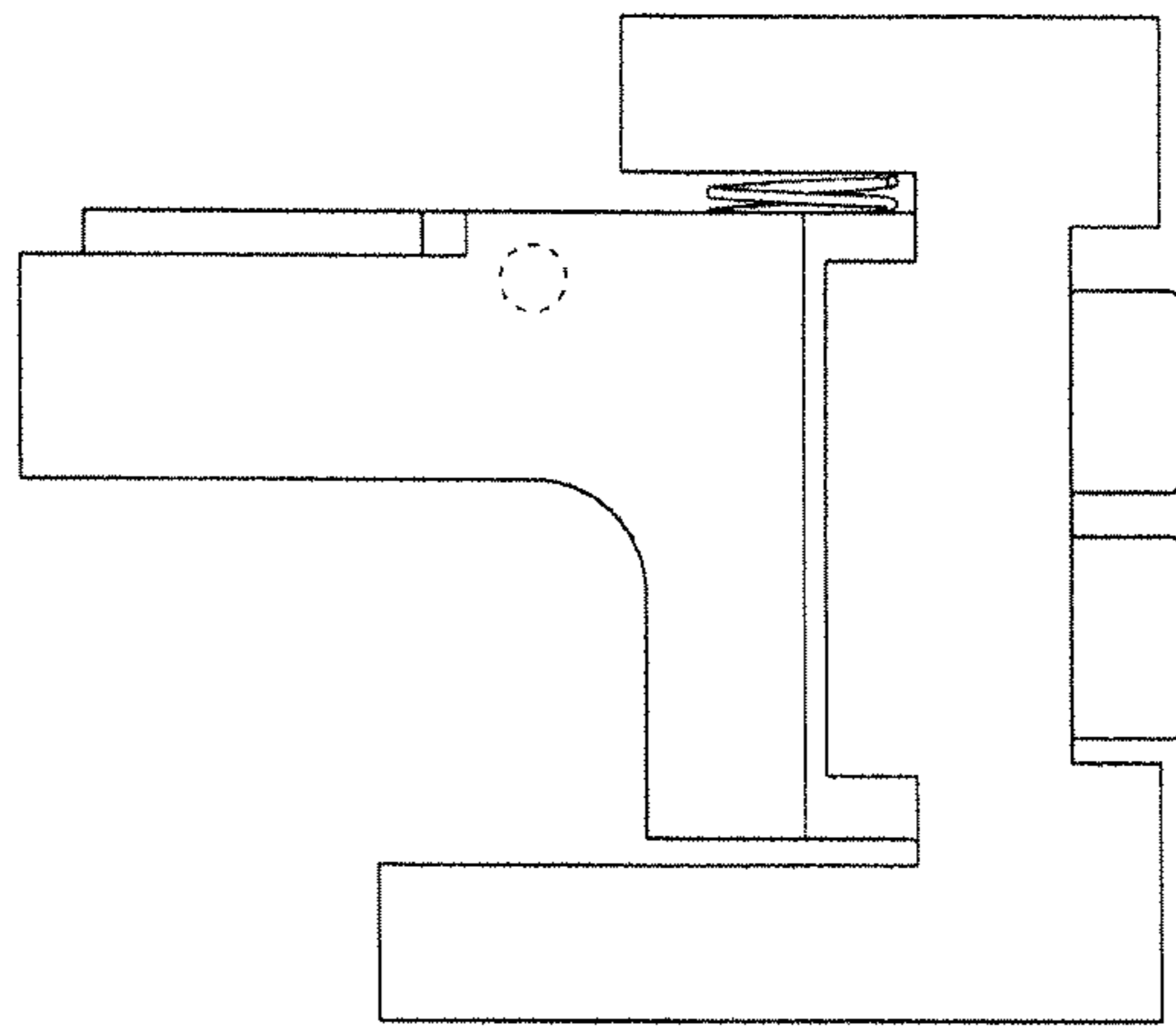


FIG. 1

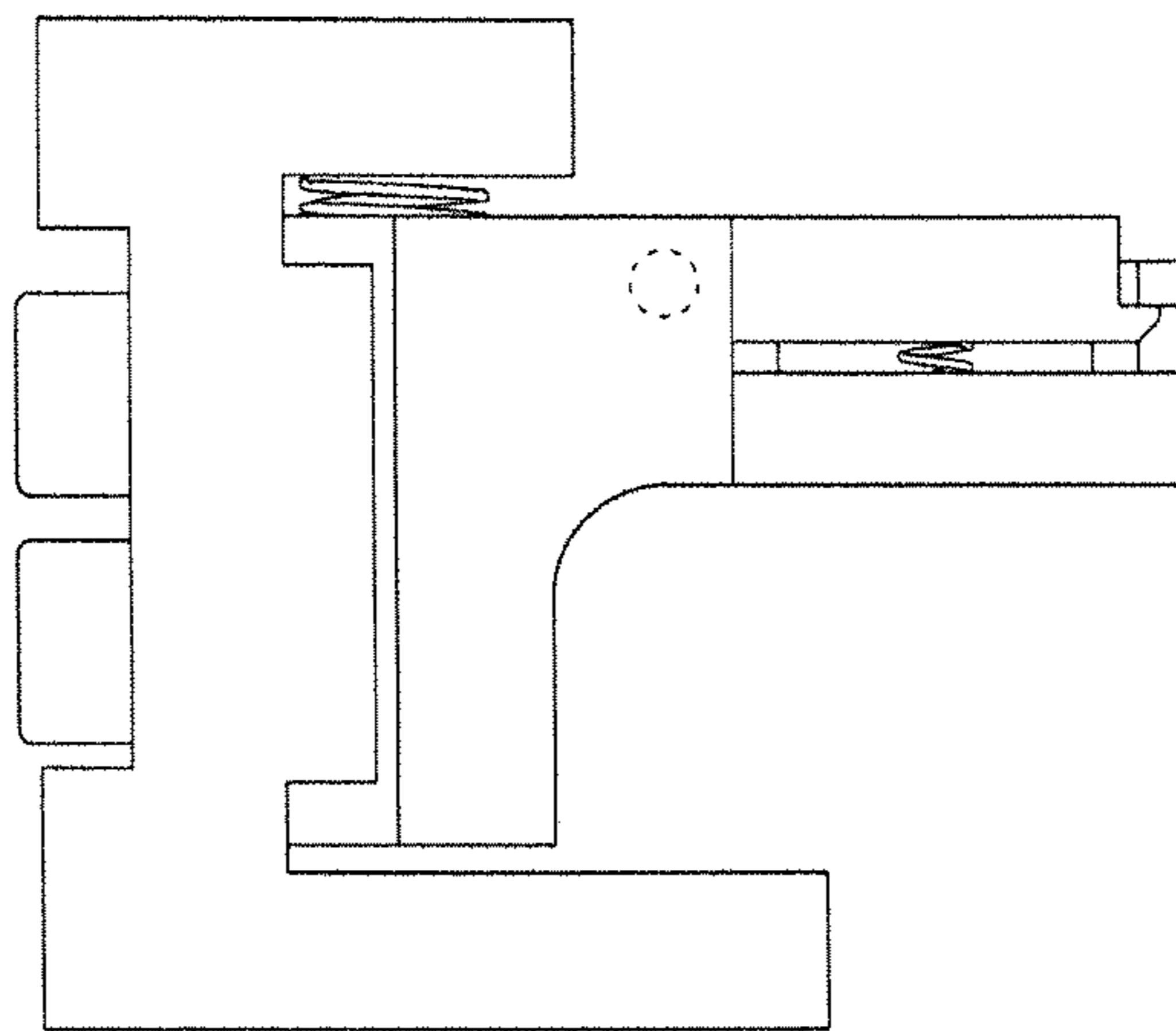


FIG. 2

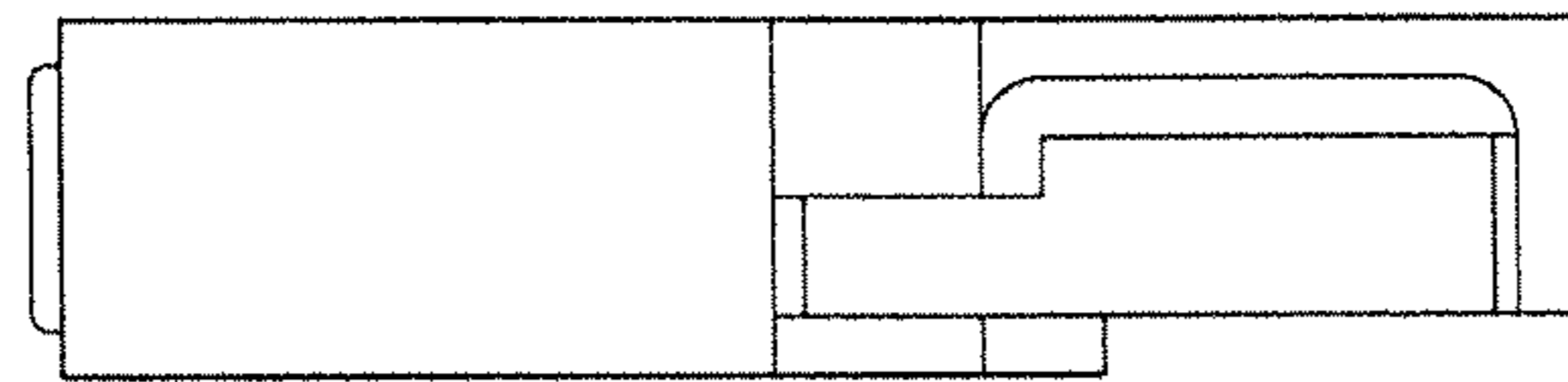


FIG. 3

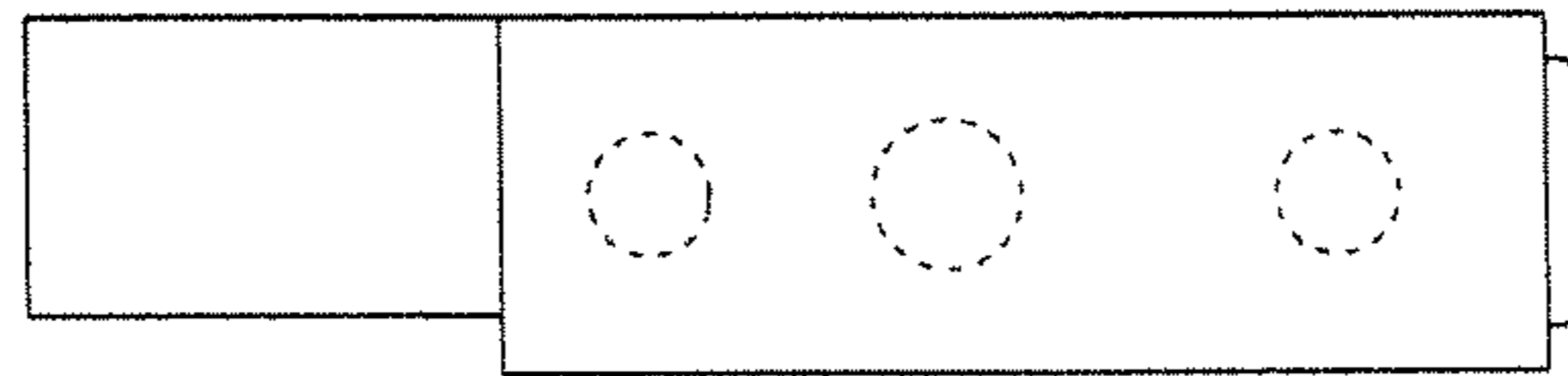


FIG. 4

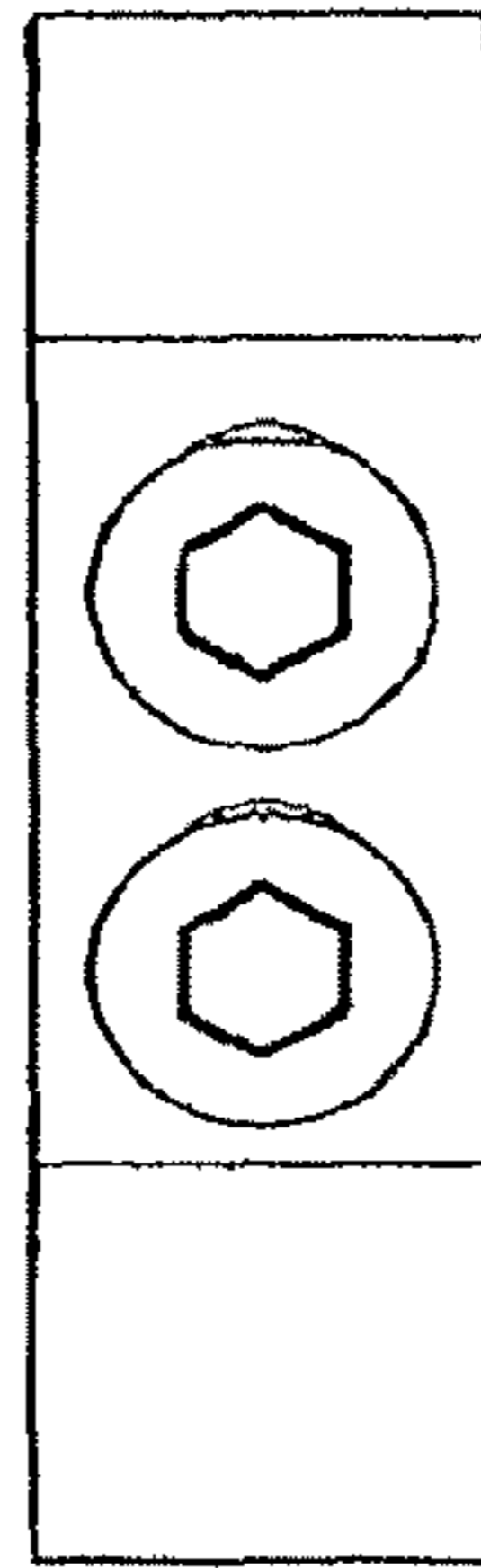


FIG. 5

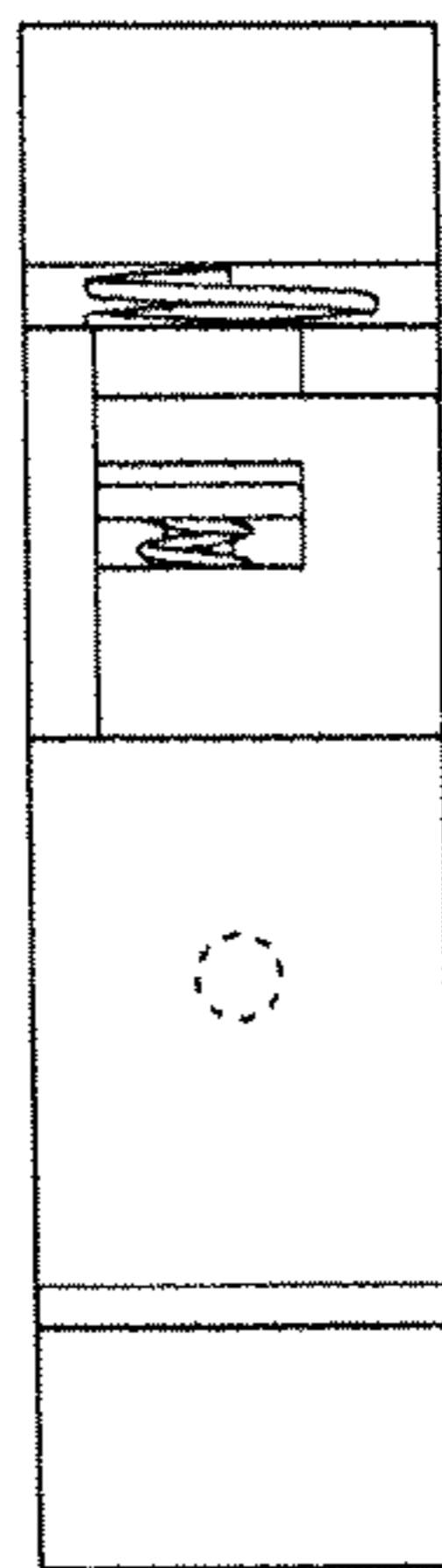


FIG. 6

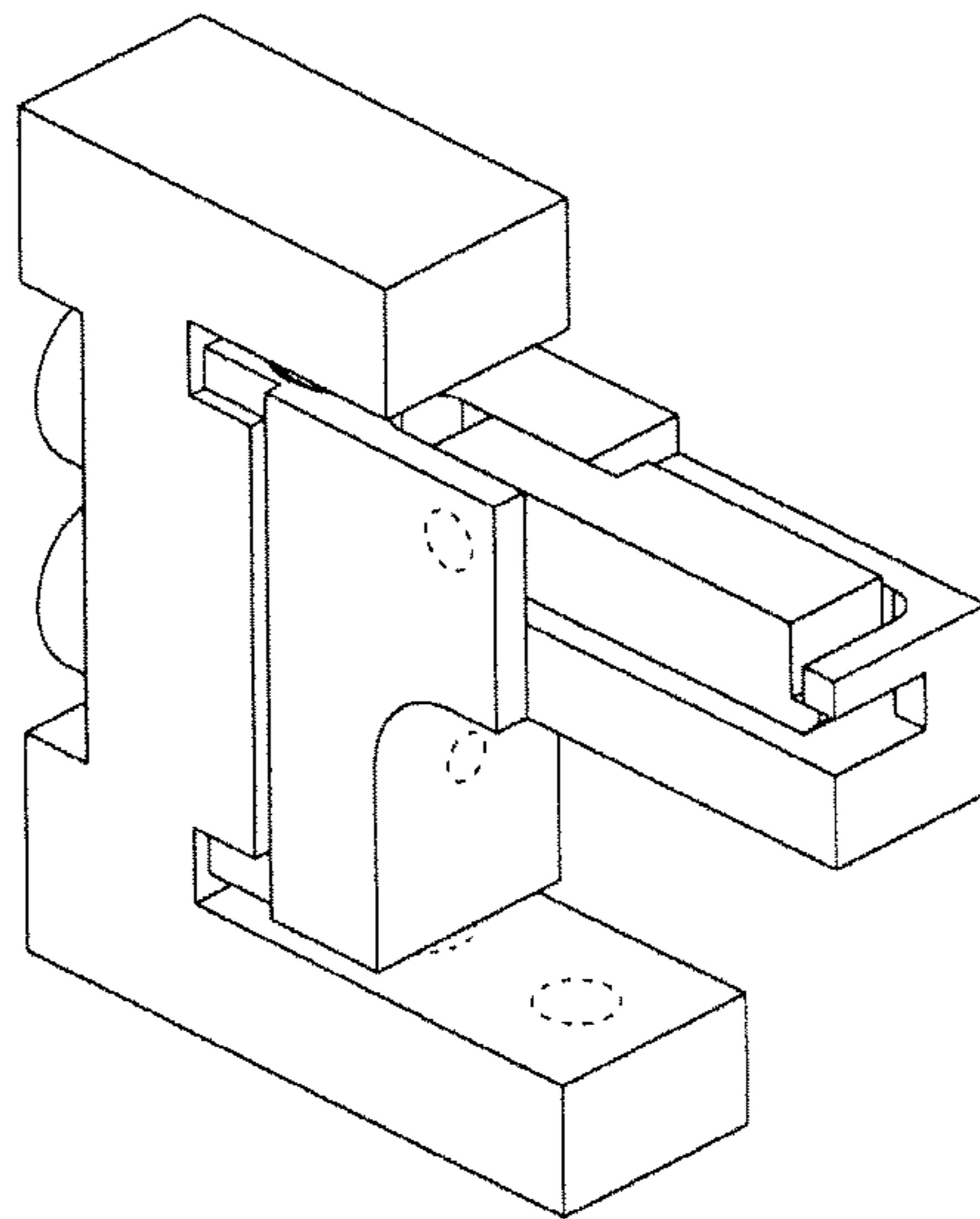


FIG. 7

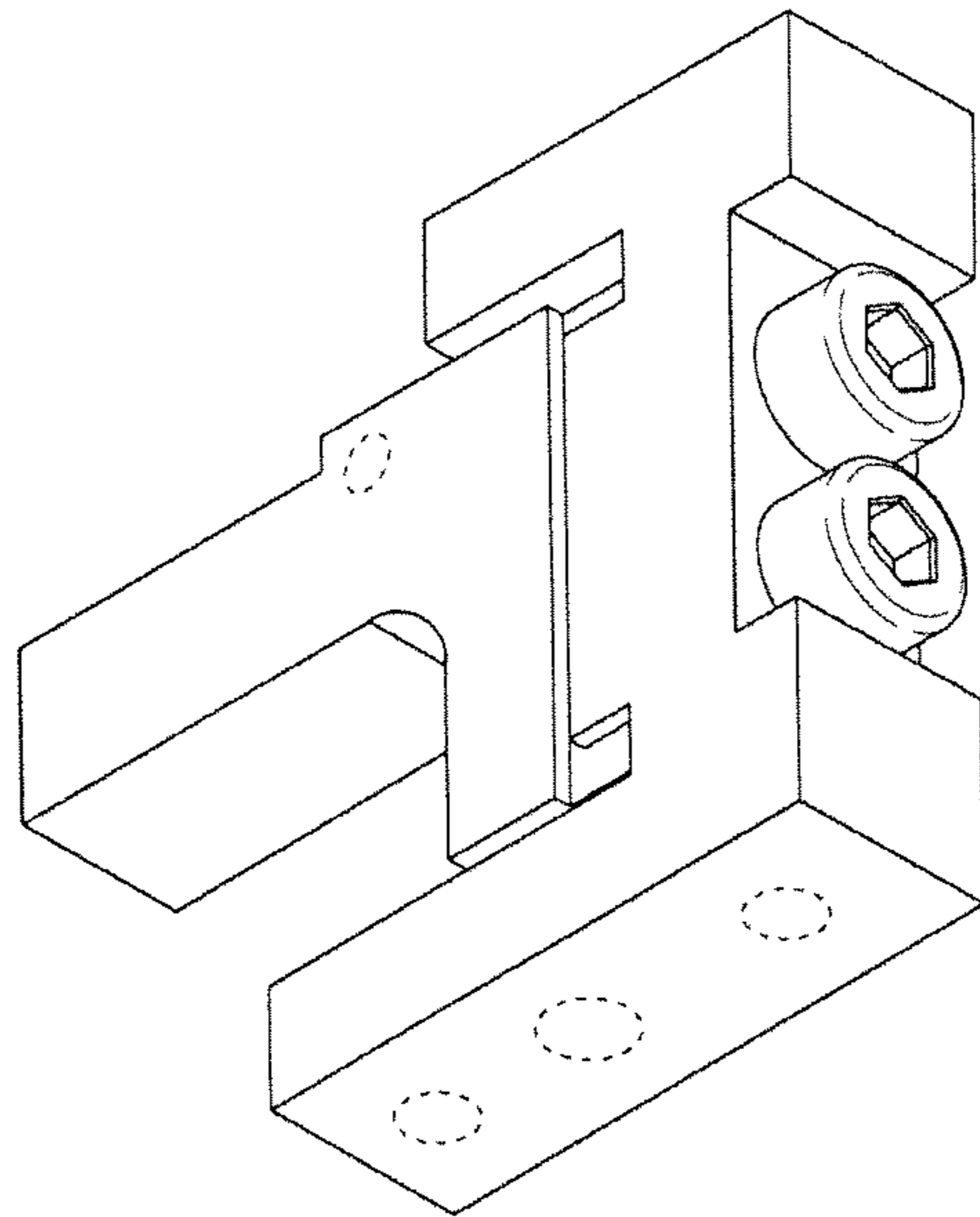


FIG. 8

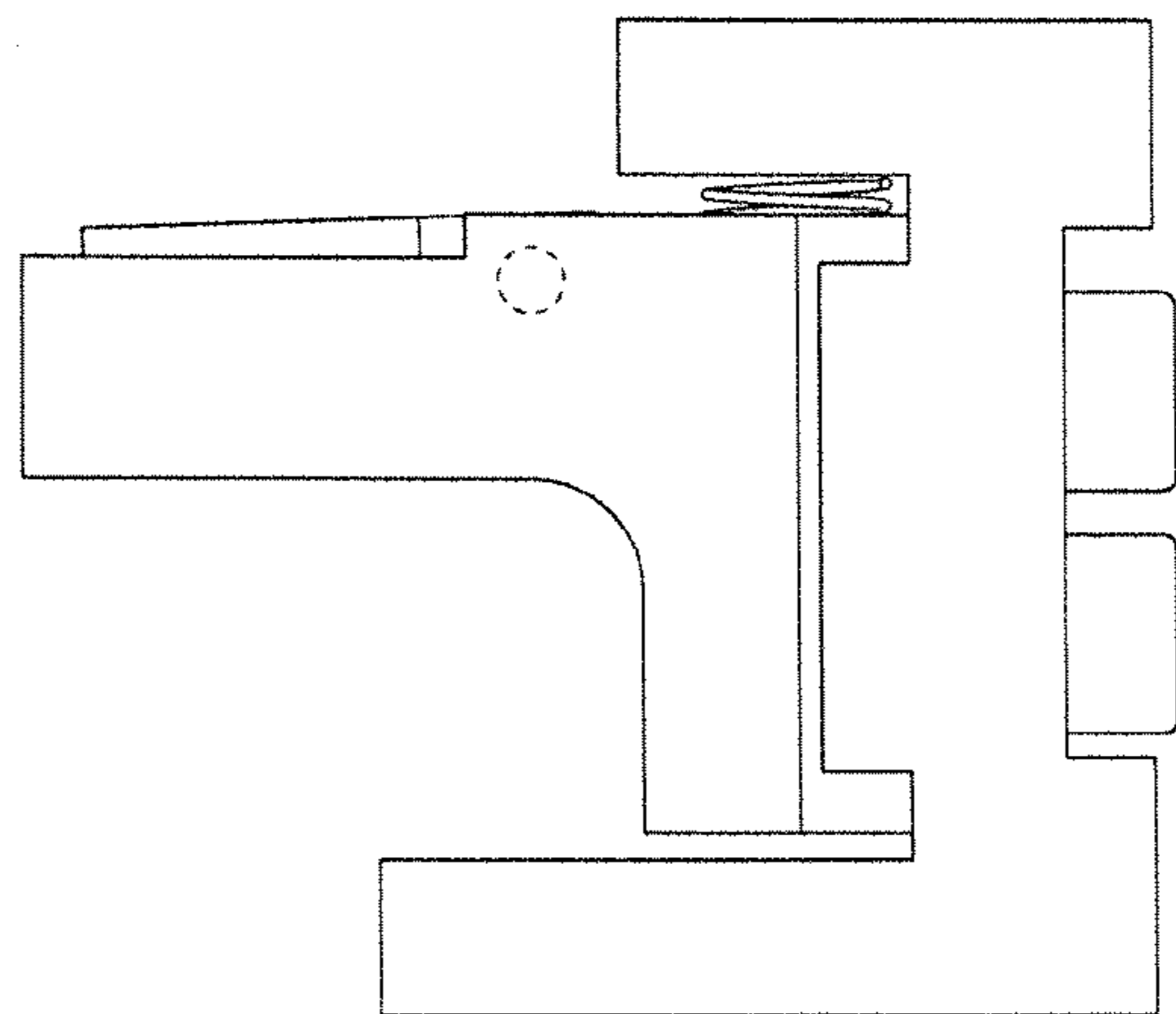


FIG. 9

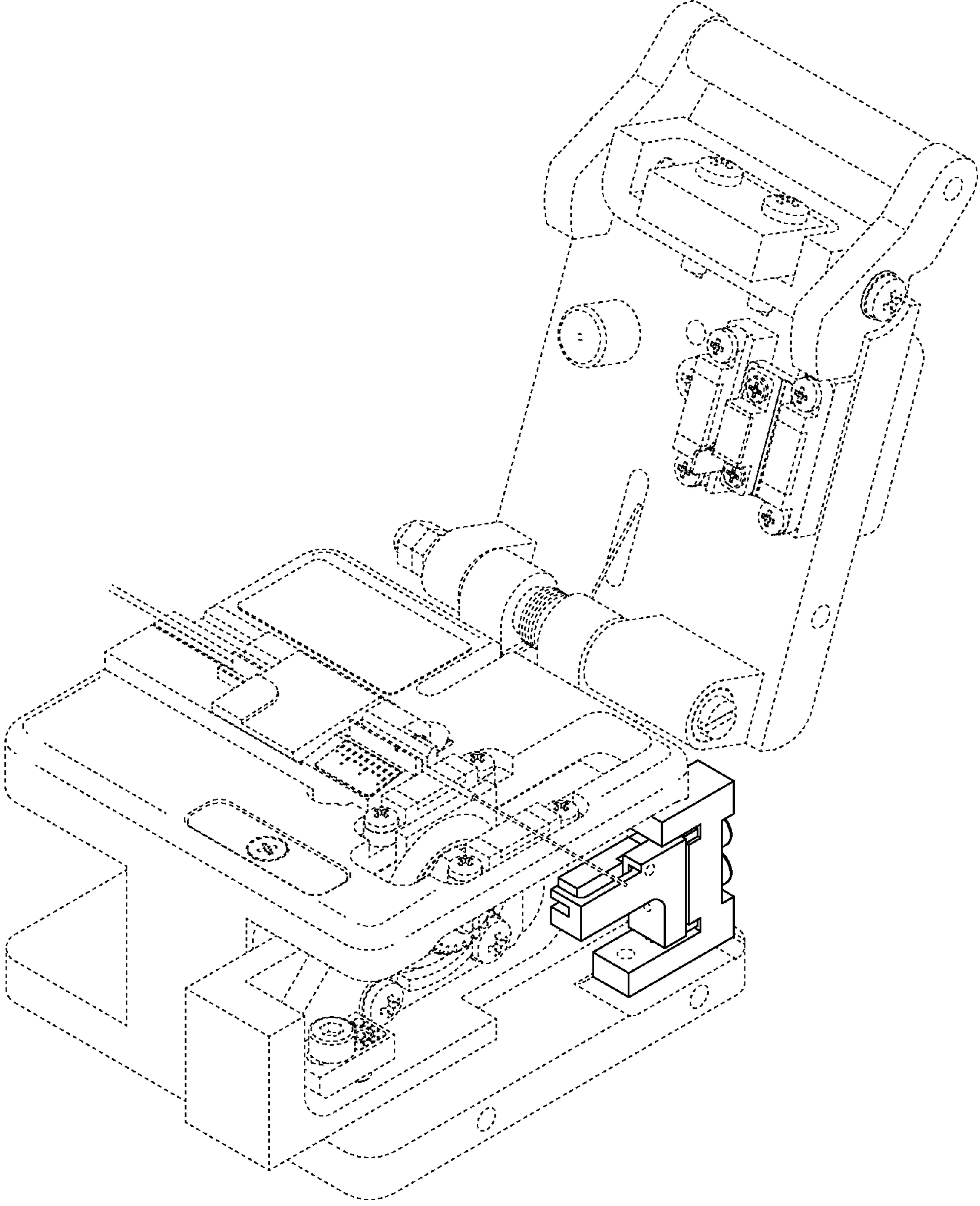


FIG. 10

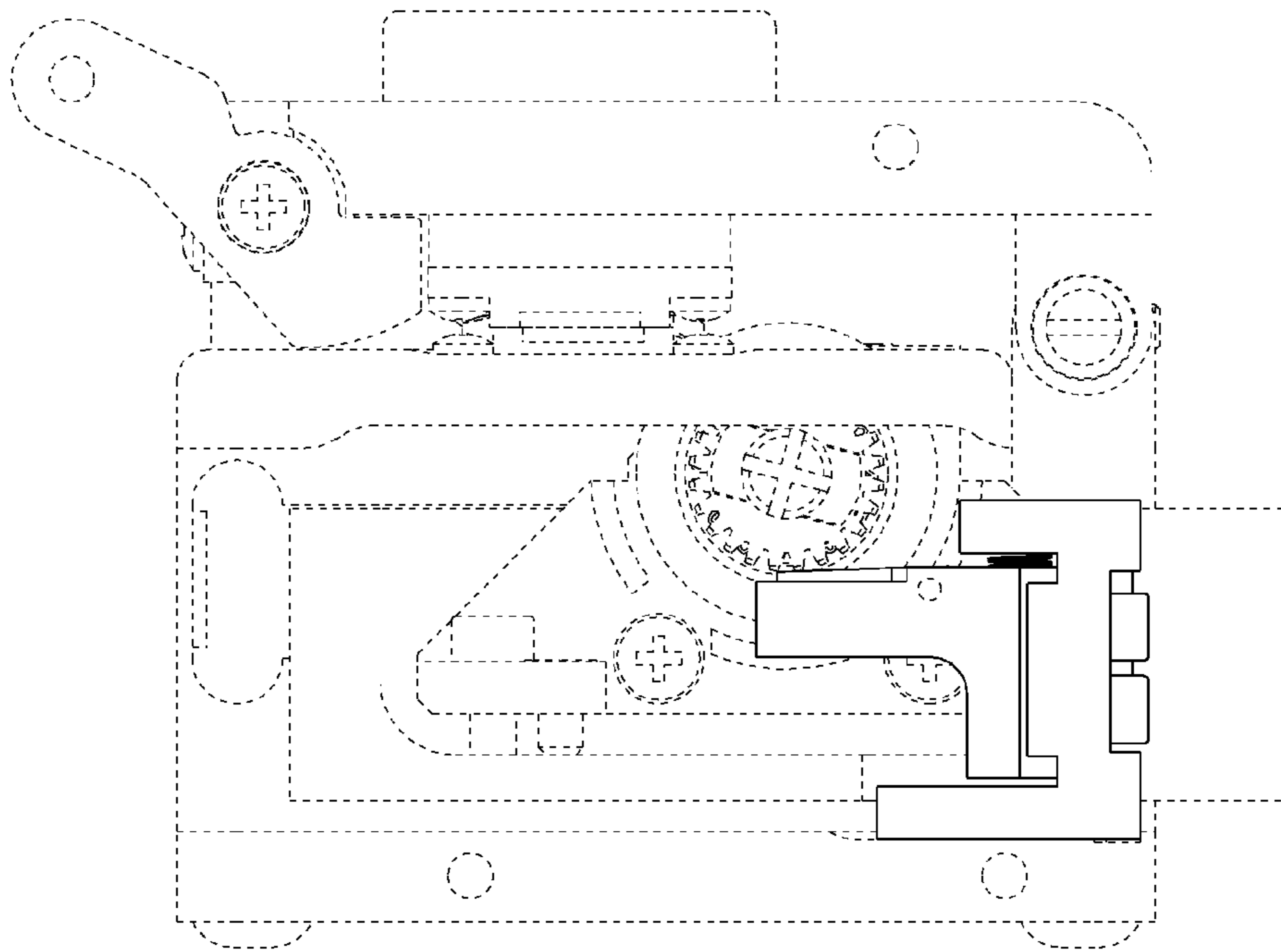


FIG. 11