

US00D692731S

(12) **United States Design Patent**  
**Solari**

(10) **Patent No.:** **US D692,731 S**

(45) **Date of Patent:** **\*\* Nov. 5, 2013**

(54) **CHEESE KNIFE**

(71) Applicant: **McPherson's Limited**, Kingsgrove (AU)

(72) Inventor: **Clive Solari**, Paddington (AU)

(73) Assignee: **McPherson's Limited**, Kingsgrove (AU)

(\*\*) Term: **14 Years**

(21) Appl. No.: **29/441,231**

(22) Filed: **Jan. 2, 2013**

(30) **Foreign Application Priority Data**

Jul. 3, 2012 (AU) ..... 201213089

(51) **LOC (9) Cl.** ..... **07-03**

(52) **U.S. Cl.**  
USPC ..... **D7/650; D7/649**

(58) **Field of Classification Search**  
USPC ..... D7/368, 393-395, 401.2, 642-646,  
D7/649-654, 660-664, 669, 675-676, 683,  
D7/688-692, 695-696; D8/25, 83, 99,  
D8/107, 303; 30/137, 141-143, 147-150,  
30/322-327, 329, 335, 340, 342-344,  
30/355; 416/70 R

See application file for complete search history.

(56) **References Cited**

**U.S. PATENT DOCUMENTS**

D192,018 S \* 1/1962 McLeod ..... D7/688  
D334,692 S \* 4/1993 Nussio ..... D7/688

D403,204 S \* 12/1998 Kwok ..... D7/401.2  
D417,132 S \* 11/1999 Schneider ..... D8/107  
D439,806 S \* 4/2001 Juhlin et al. .... D7/650  
D468,973 S \* 1/2003 Sun ..... D7/650  
D516,880 S \* 3/2006 Fort et al. .... D7/695  
D525,088 S \* 7/2006 Fort et al. .... D7/652  
D552,430 S \* 10/2007 Chen ..... D7/649  
D554,949 S \* 11/2007 Hood ..... D7/650  
D573,850 S \* 7/2008 Curtin ..... D7/649  
D581,733 S \* 12/2008 Epstein ..... D7/401.2  
D643,256 S \* 8/2011 Hirai ..... D7/649

\* cited by examiner

*Primary Examiner* — Ricky Pham

(74) *Attorney, Agent, or Firm* — Perkins Coie LLP

(57) **CLAIM**

The ornamental design for a cheese knife, as shown and described.

**DESCRIPTION**

FIG. 1 is an isometric view of a cheese knife showing my new design, as viewed from a bottom edge and a first side.

FIG. 2 is an isometric view of the cheese knife of FIG. 1, as viewed from a top edge and the first side.

FIG. 3 is an elevation view of the cheese knife of FIG. 1, as viewed from the first side.

FIG. 4 is an elevation view of the cheese knife of FIG. 1, as viewed from a second side opposite to the first side.

FIG. 5 is a plan view of the cheese knife of FIG. 1.

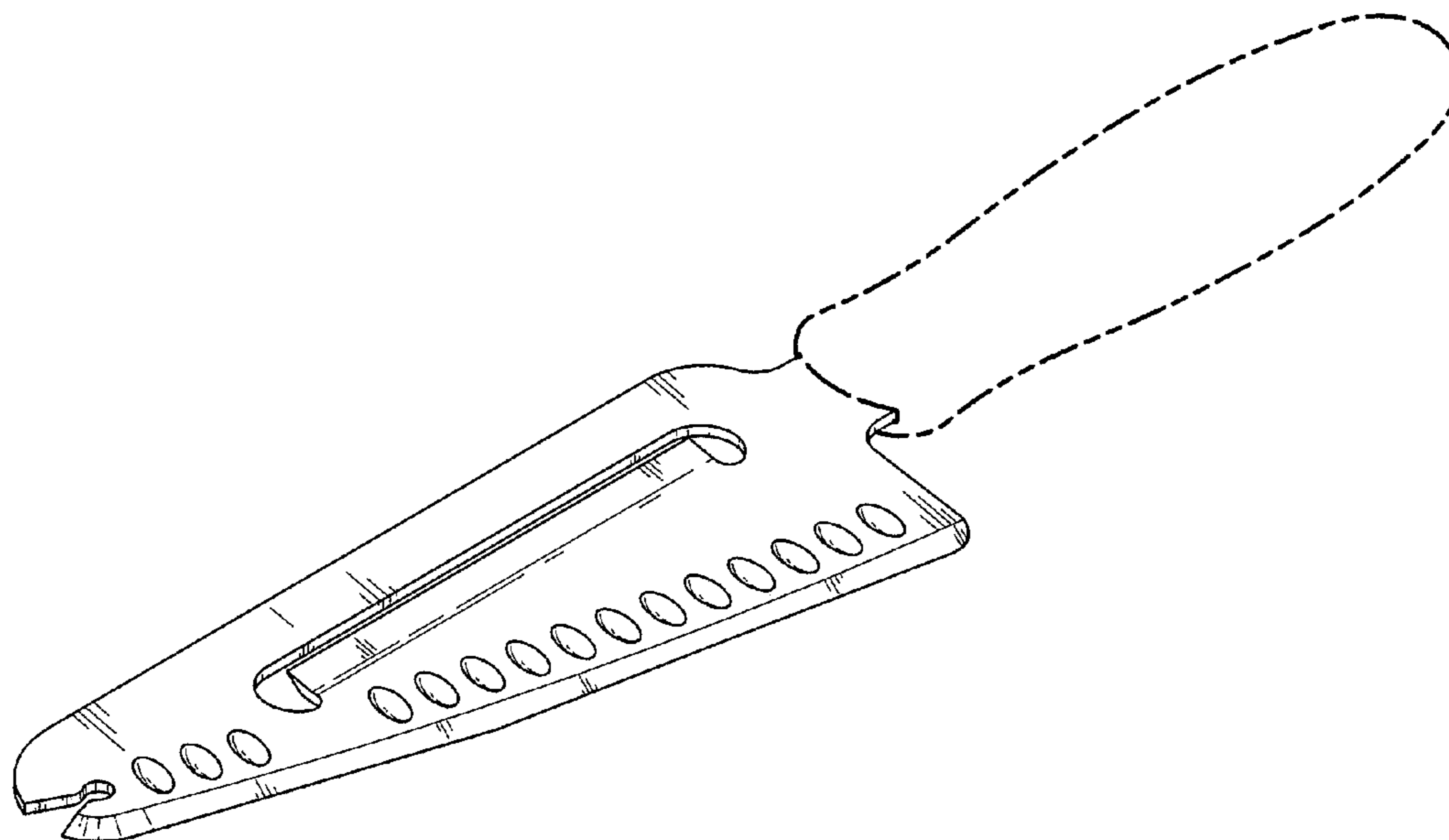
FIG. 6 is an inverted plan view of the cheese knife of FIG. 1.

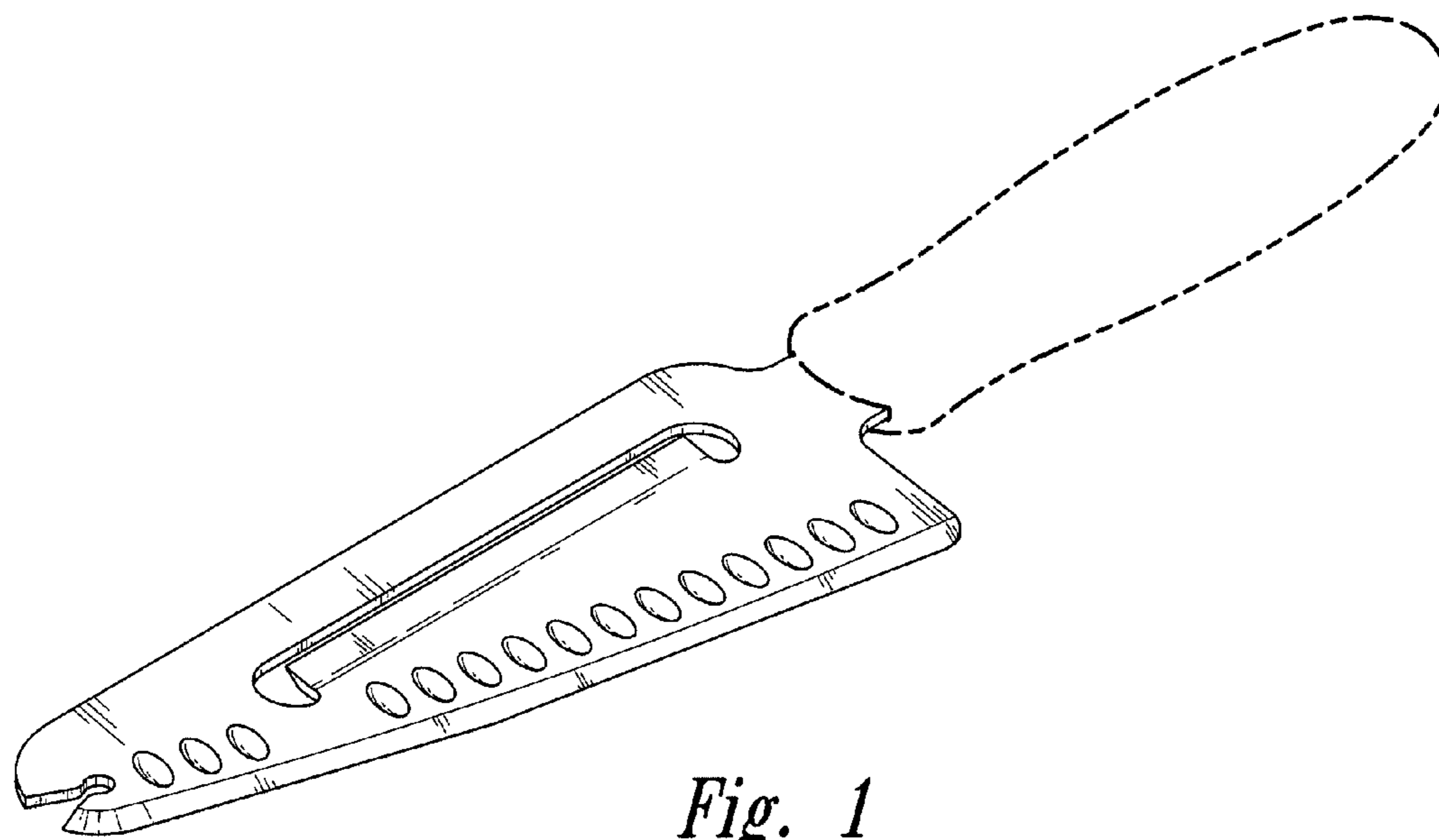
FIG. 7 is a front view of the cheese knife of FIG. 1; and,

FIG. 8 is a rear view of the cheese knife of FIG. 1.

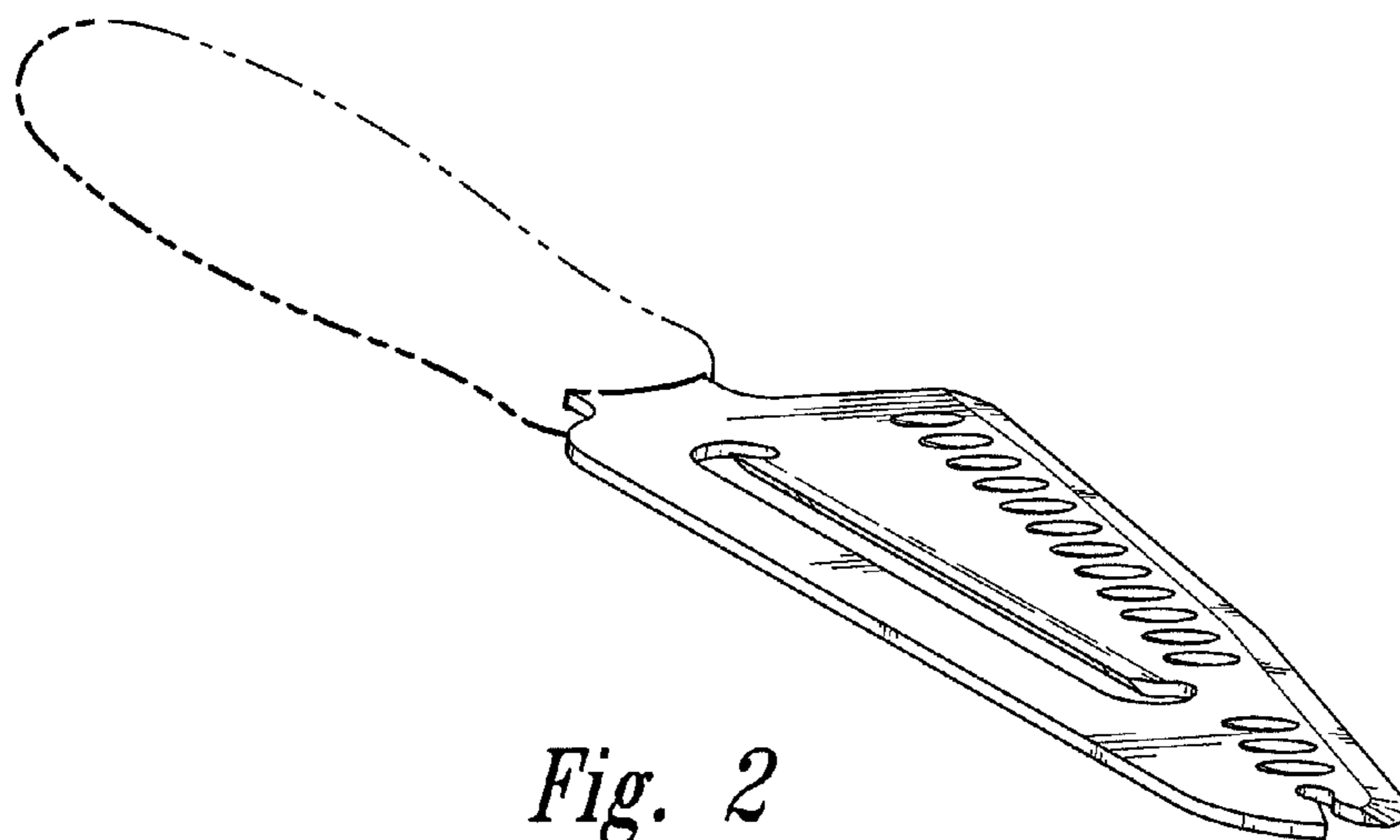
The details shown in broken lines illustrate portions of the cheese knife that form no part of the claimed design.

**1 Claim, 3 Drawing Sheets**

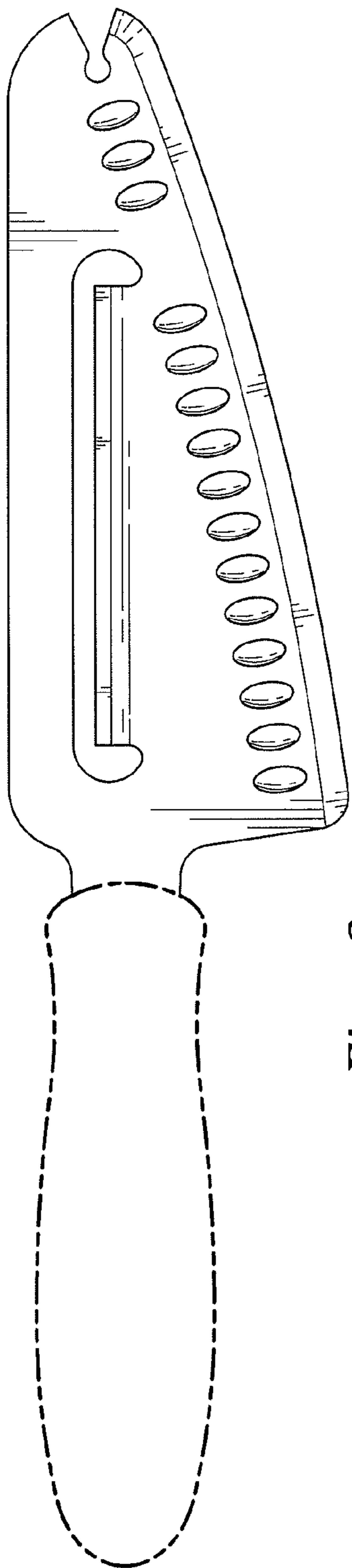




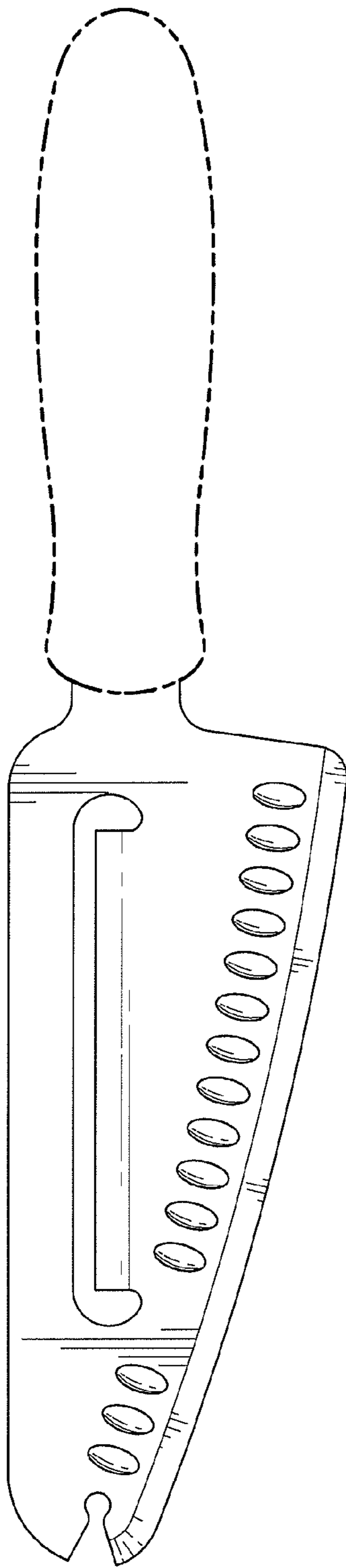
*Fig. 1*



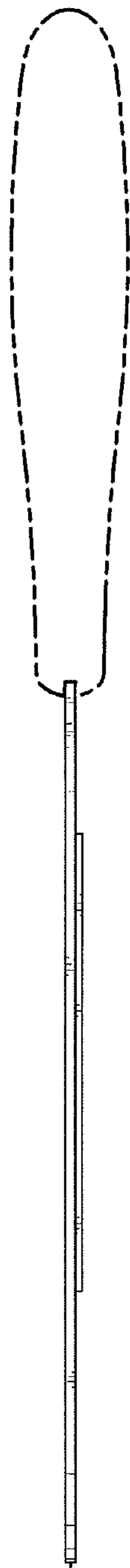
*Fig. 2*



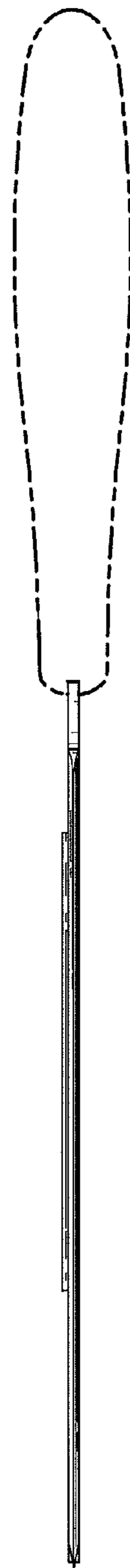
*Fig. 3*



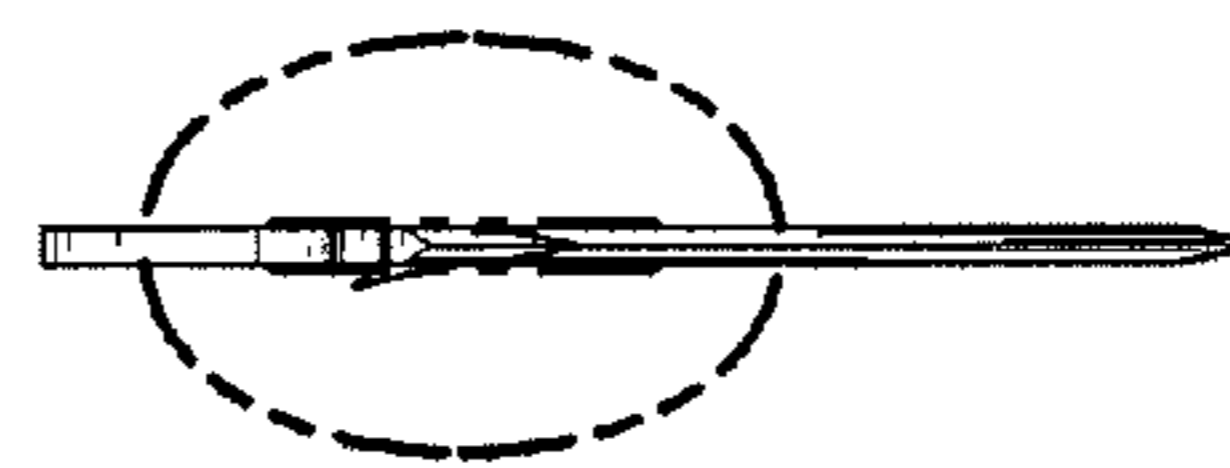
*Fig. 4*



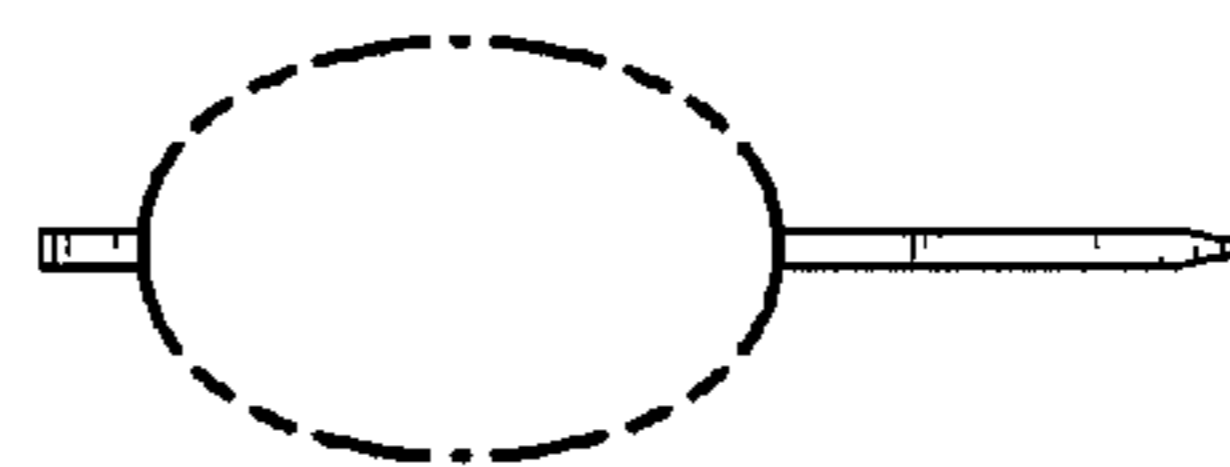
*Fig. 5*



*Fig. 6*



*Fig. 7*



*Fig. 8*