

US00D692730S

(12) **United States Design Patent**
Wilson, Jr. et al.

(10) **Patent No.:** **US D692,730 S**
(45) **Date of Patent:** **** Nov. 5, 2013**

(54) **NAPKIN DISPENSER**
(75) Inventors: **Rodney A. Wilson, Jr.**, Wilmington, DE (US); **Justin Siebel**, Chatham, NJ (US); **Leo Gonzales**, West Chester, PA (US)
(73) Assignee: **SCA Hygiene Products AB**, Göteborg (SE)

D613,536 S 4/2010 Pattberg
D623,452 S 9/2010 McNeely et al.
D630,873 S 1/2011 Kuehneman et al.
D649,820 S 12/2011 Stutzel
D666,035 S 8/2012 Velazquez et al.
2003/0019880 A1* 1/2003 Timmers et al. 221/47
2005/0056657 A1* 3/2005 Hochtritt et al. 221/45
2005/0150898 A1* 7/2005 Young et al. 221/53
2006/0071012 A1* 4/2006 Reinsel et al. 221/59

(**) Term: **14 Years**
(21) Appl. No.: **29/414,208**
(22) Filed: **Feb. 27, 2012**

FOREIGN PATENT DOCUMENTS

AU 307524 S 6/2006
RU 67907 S 9/2008

(30) **Foreign Application Priority Data**
Aug. 30, 2011 (EM) 001293070
(51) **LOC (9) Cl.** **07-06**
(52) **U.S. Cl.**
USPC **D7/631**
(58) **Field of Classification Search**
USPC D7/631-634; D6/518-525, 553, 567, D6/574, 542-545; 206/409, 233, 494, 206/77.1; 221/30-60, 208, 227, 279, 282, 221/284, 14, 92, 649, 146.1, 146.2, 105; 211/13.1, 86.01, 87.01
See application file for complete search history.

OTHER PUBLICATIONS

U.S. Appl. No. 29/428,457, filed by Rodney A. Wilson, Jr. on Jul. 31, 2012.
Office Action dated Sep. 12, 2012, issued in corresponding Russian Patent Application No. 2012501546, and an English Translation thereof.

* cited by examiner

Primary Examiner — Terry Wallace
(74) *Attorney, Agent, or Firm* — Buchanan Ingersoll & Rooney PC

(56) **References Cited**

U.S. PATENT DOCUMENTS

2,426,136 A * 8/1947 Agamaite, Jr. 221/57
2,852,158 A * 9/1958 Jones et al. 221/35
D507,138 S 7/2005 Hochtritt et al.
6,981,610 B2* 1/2006 Smiley et al. 221/33
D526,165 S * 8/2006 Burns et al. D7/631
D527,587 S * 9/2006 Zeiron D7/631
D528,871 S * 9/2006 Zeiron D7/631
7,134,571 B2* 11/2006 Hochtritt et al. 221/44
D552,428 S * 10/2007 Zeiron D7/631
D568,655 S 5/2008 Friesen et al.
7,543,719 B2* 6/2009 Young et al. 221/52
D604,996 S * 12/2009 Kuehneman et al. D7/631

(57) **CLAIM**
The ornamental design for a napkin dispenser, as shown and described.

DESCRIPTION

FIG. 1 is a top plan view of a napkin dispenser showing our new design.
FIG. 2 is a bottom view thereof.
FIG. 3 is a side elevational view thereof.
FIG. 4 is a side elevational view thereof, showing the side opposite the side shown in FIG. 3.
FIG. 5 is a front elevational view thereof.
FIG. 6 is a rear elevational view thereof; and,
FIG. 7 is a perspective view thereof.

1 Claim, 4 Drawing Sheets

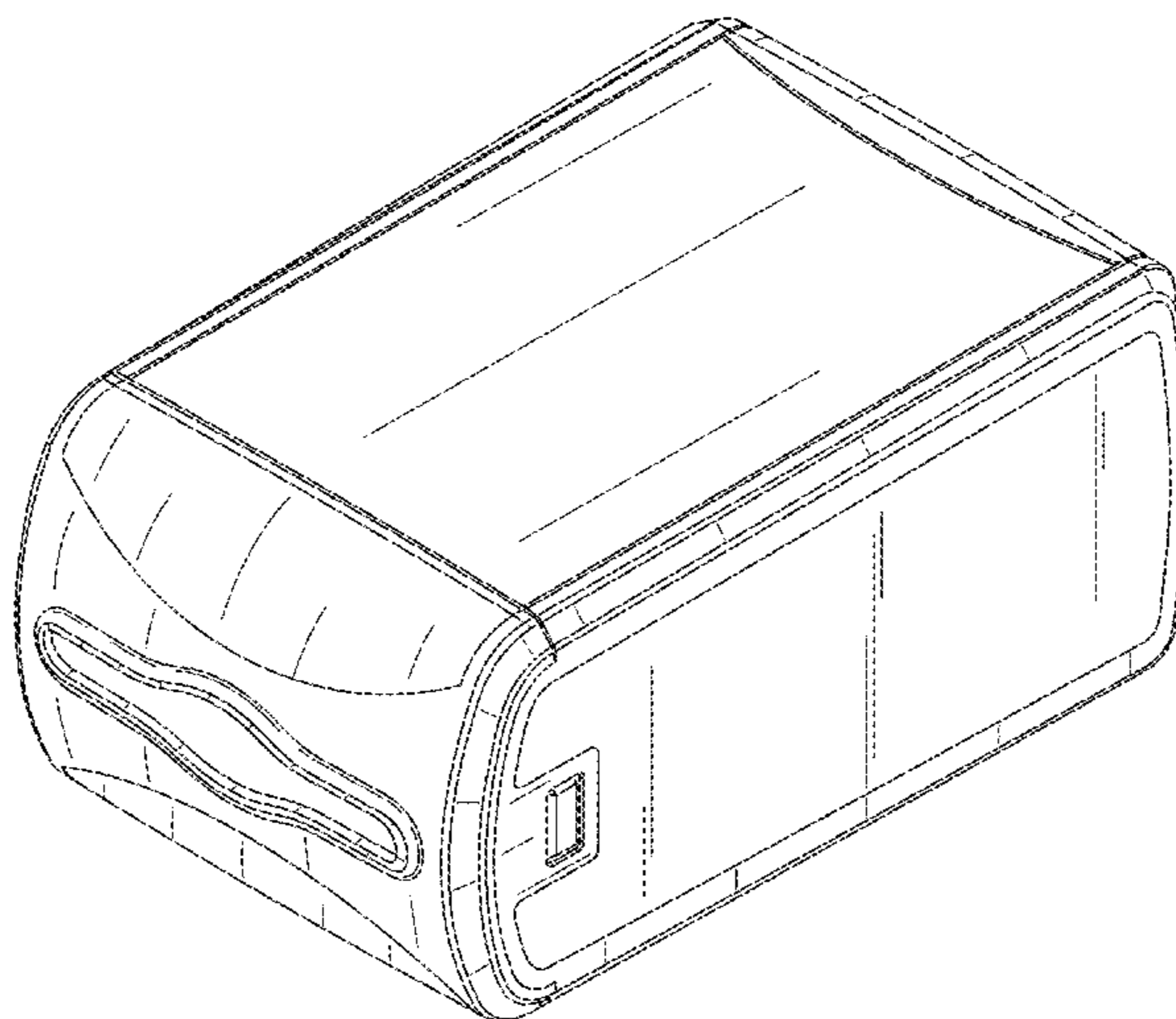




FIG. 1

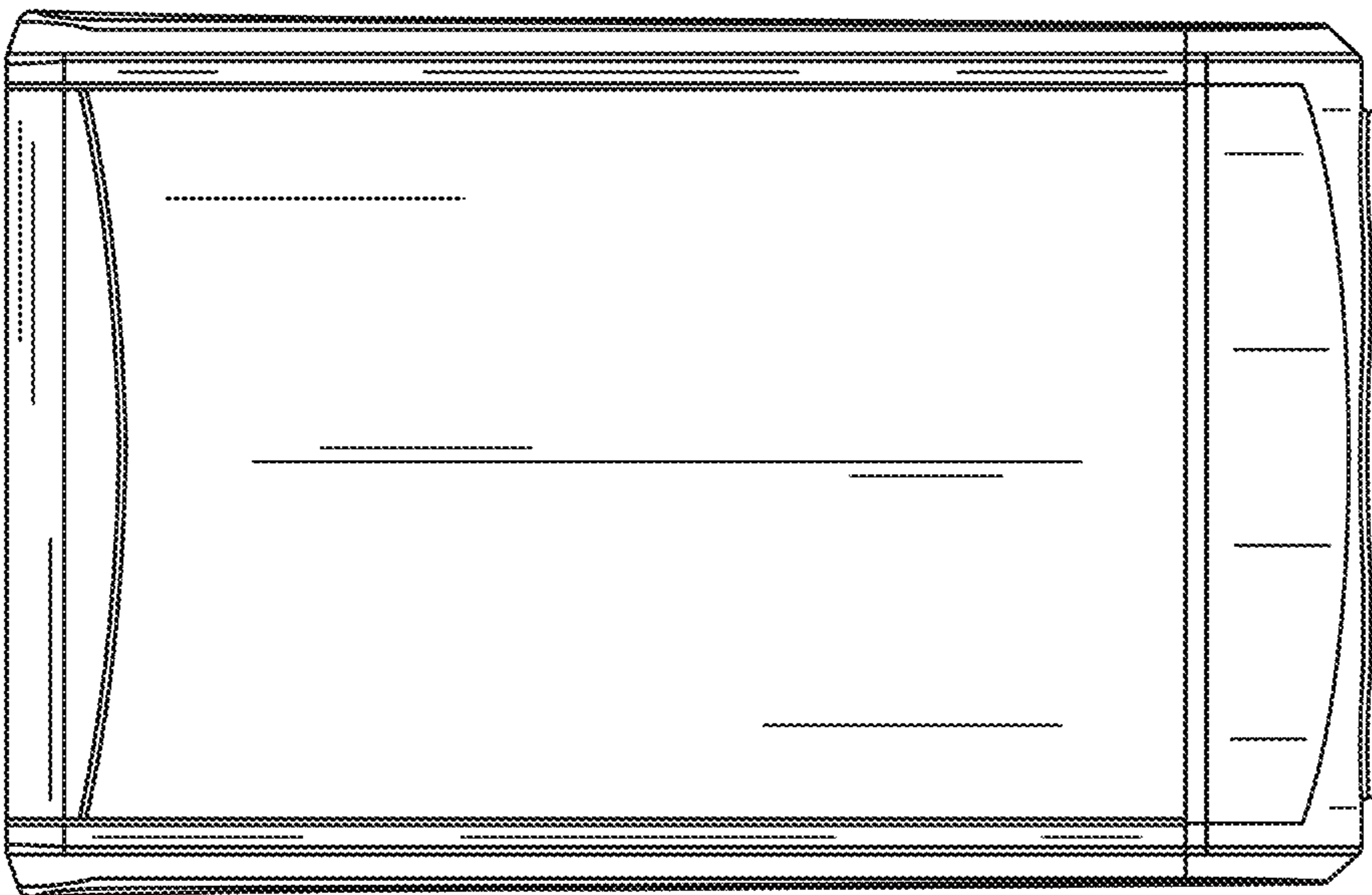


FIG. 2

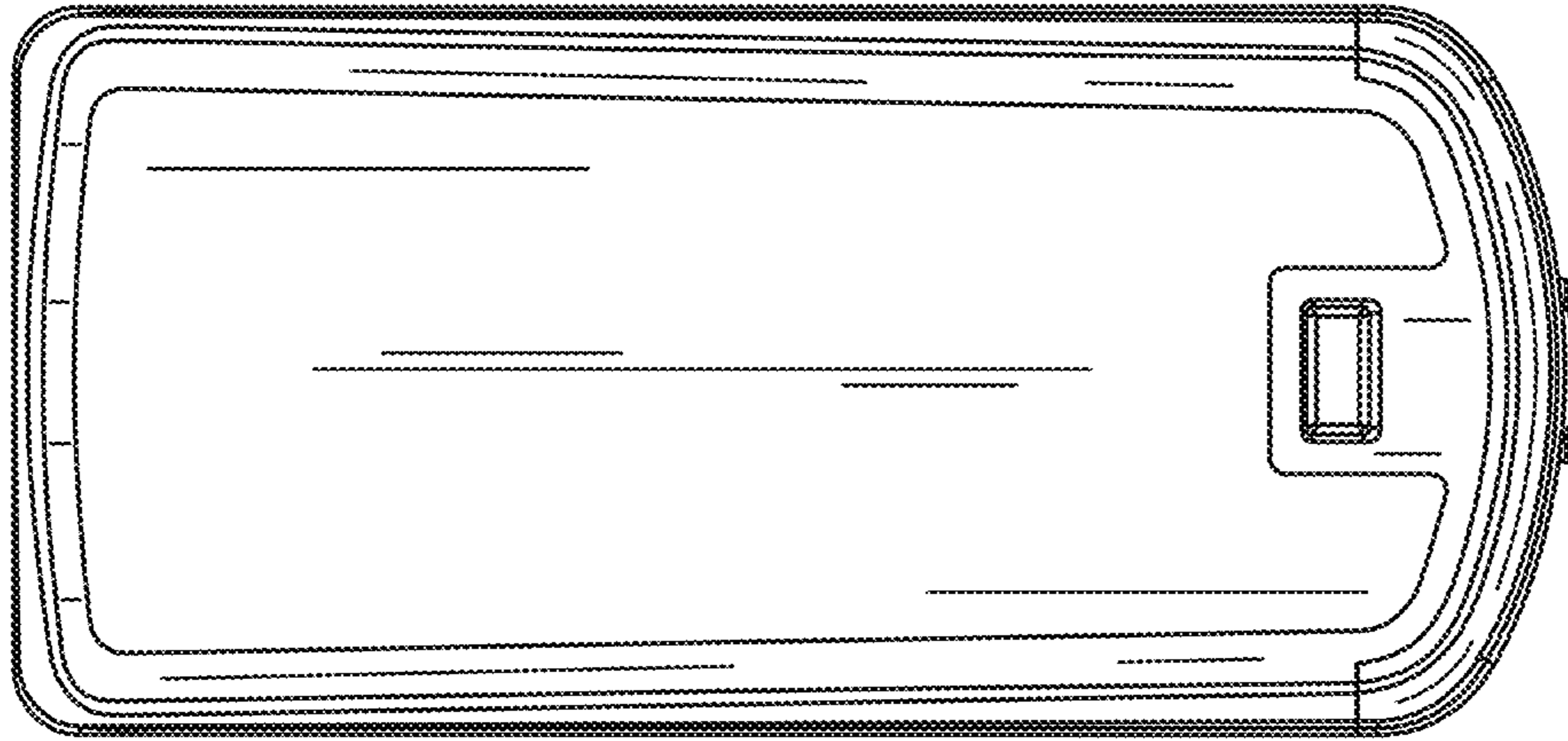


FIG. 3

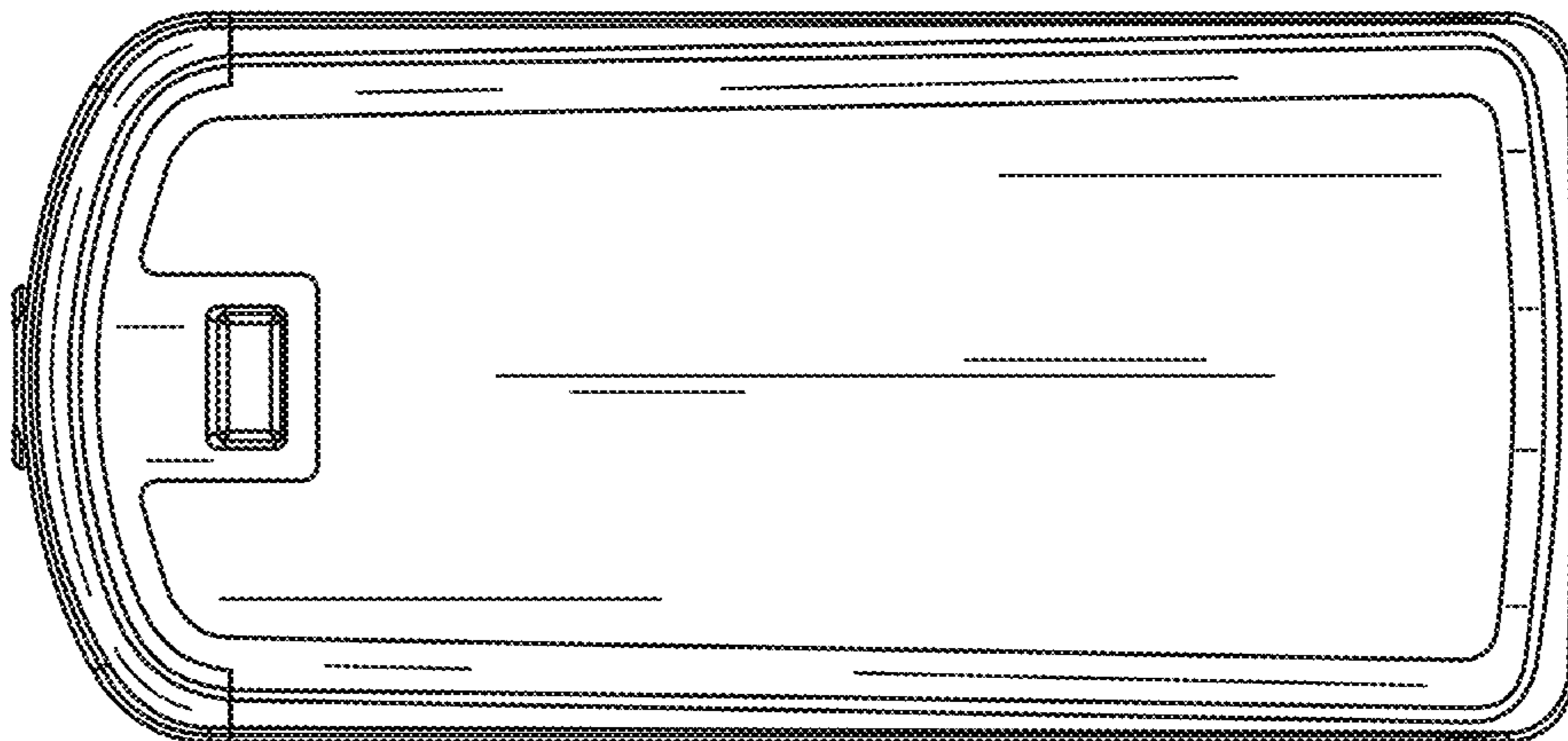


FIG. 4

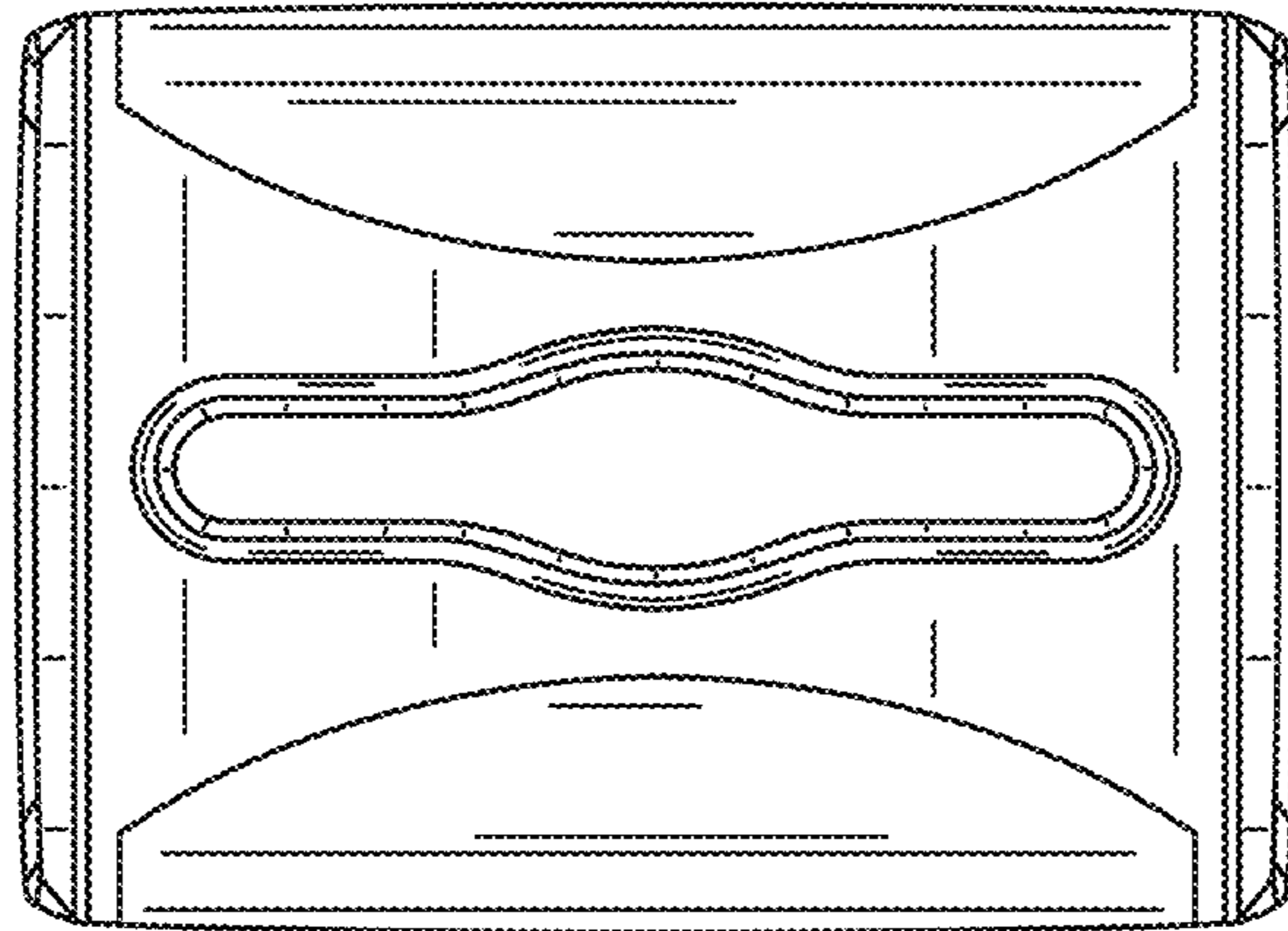


FIG. 5

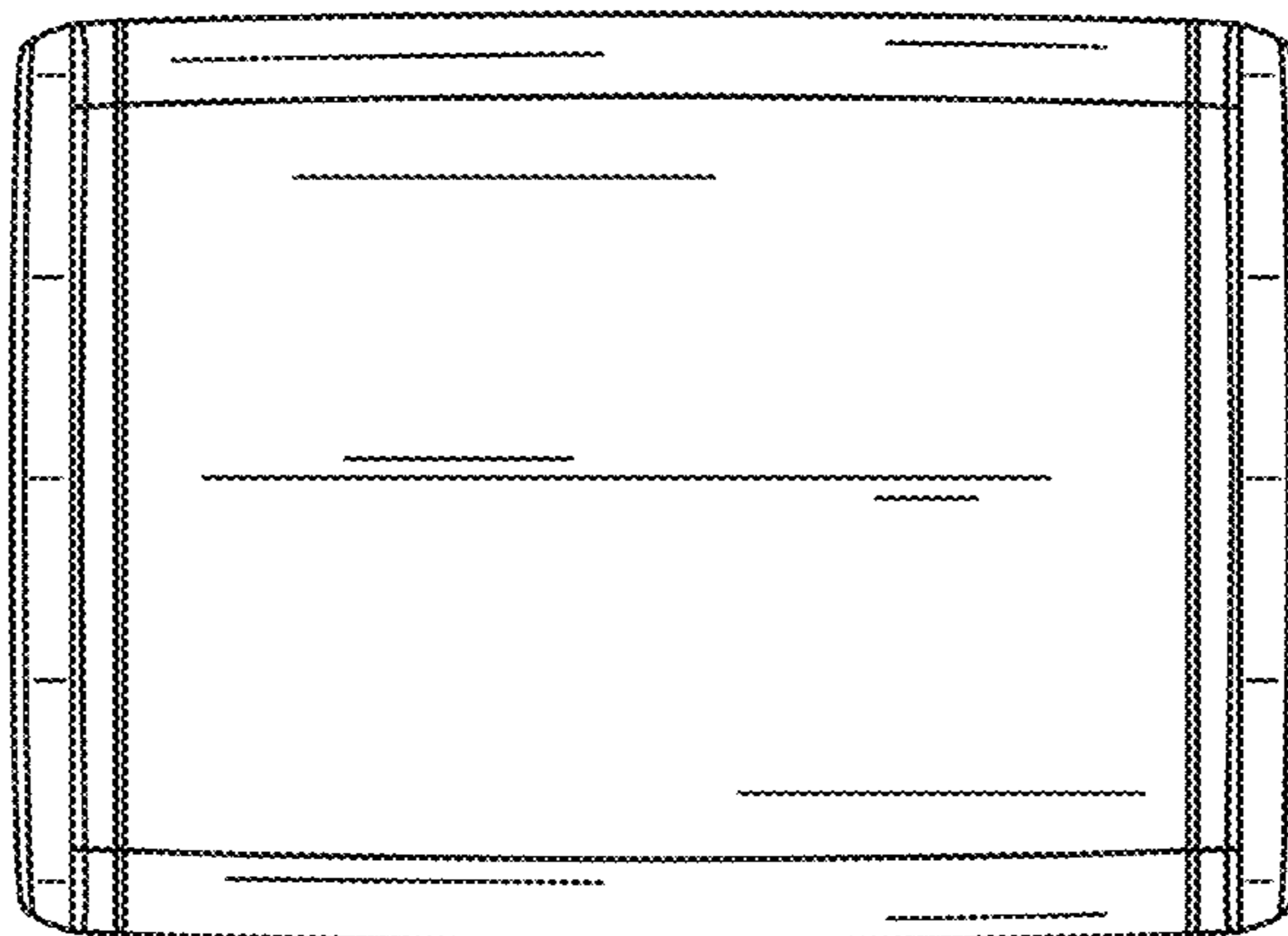


FIG. 6

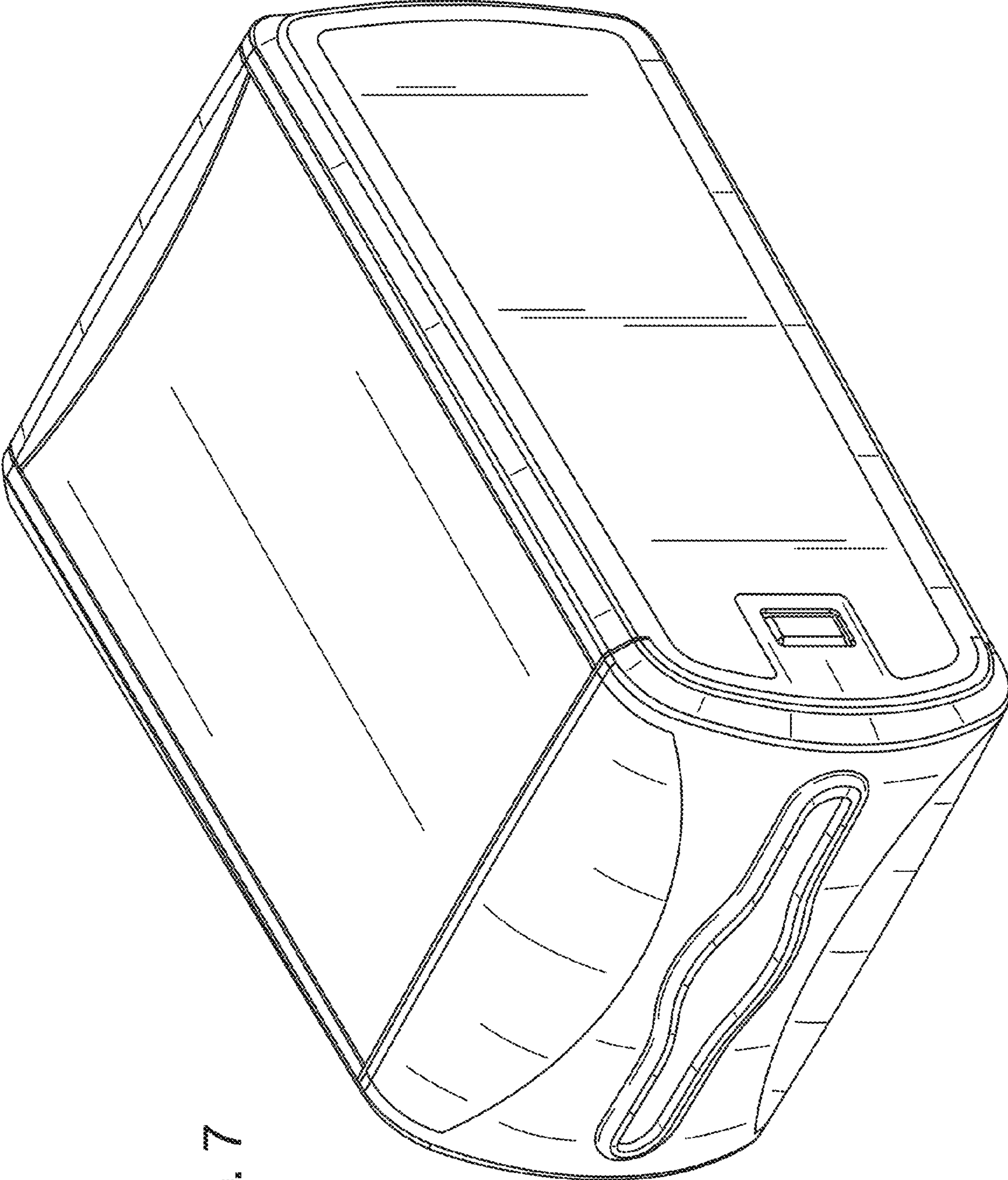


FIG. 7