

US00D692729S

(12) **United States Design Patent**
Wessels

(10) **Patent No.:** **US D692,729 S**

(45) **Date of Patent:** **** Nov. 5, 2013**

(54) **SUPPORT PLATE**

(76) Inventor: **Brian Wessels**, Rosemount, MN (US)

(**) Term: **14 Years**

(21) Appl. No.: **29/417,783**

(22) Filed: **Apr. 9, 2012**

(51) **LOC (9) Cl.** **07-06**

(52) **U.S. Cl.**
USPC **D7/619.1**

(58) **Field of Classification Search**

USPC D7/619.1-625, 628, 629, 630, 632, 633,
D7/634, 608, 509, 510, 511, 514, 515, 901,
D7/606, 536, 601-605, 607, 388, 709,
D7/710; D3/228, 215, 203.1, 229; D9/668,
D9/444, 455, 501, 517, 499, 435, 434,
D9/451; D8/18, 19, 20, 33, 34, 352, 399;
D21/362; 248/156, 346.11, 146, 530,
248/545, 546, 309.1, 311.1, 311.2, 311.3,
248/314; 211/74, 75, 71.01, 79, 80;
62/457.1, 457.3, 457.4;
224/148.1-148.6, 628, 650, 250;
215/111.6, 386, 395, 399, 396, 390,
215/393, 394, 387, 388, 389; 220/410, 737,
220/739, 740, 741, 742, 592.16, 592.17,
220/738, 902, 903; 229/89-91

See application file for complete search history.

(56) **References Cited**

U.S. PATENT DOCUMENTS

D42,368 S * 3/1912 Mossberg D8/18
1,208,728 A 12/1916 Bartlett et al.
1,244,980 A * 10/1917 Hartman, Sr. 294/31.2
D59,662 S 11/1921 Lauzon
D126,253 S * 4/1941 Smiley D8/18

(Continued)

OTHER PUBLICATIONS

“Bachelorette Party Posse Shot Necklace,” printed from www.
partycity.com/product/bachelorette+party+posse+shot+necklace.

do?sortBy=ourPicks&size=all&from=Search
&navSet=bachelorette, on Mar. 23, 2012 (2 pages).

(Continued)

Primary Examiner — Ian Simmons

Assistant Examiner — Shannon Weekley

(74) *Attorney, Agent, or Firm* — Griffiths & Seaton PLLC;
JoAnn M. Seaton

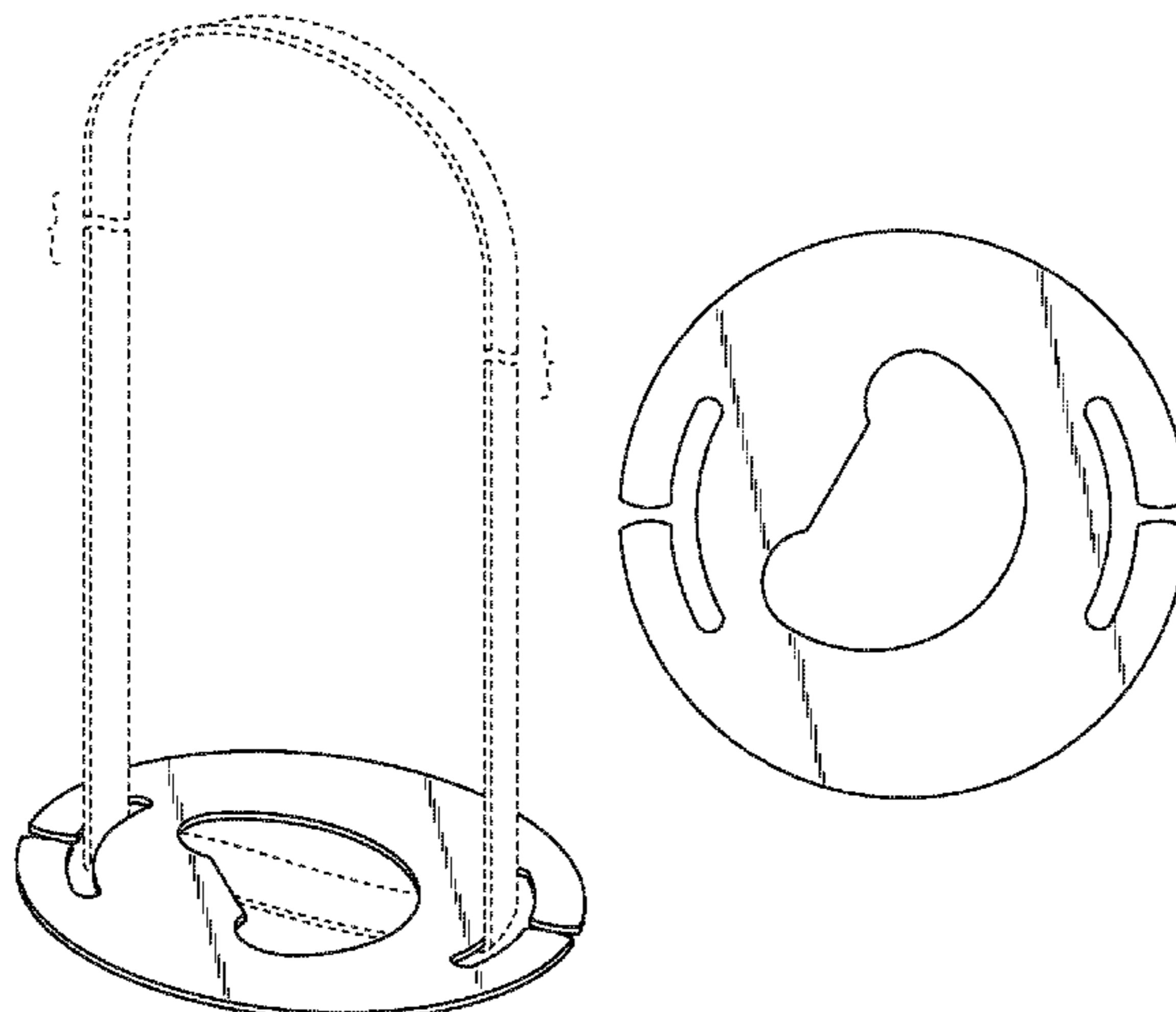
(57) **CLAIM**

The ornamental design for a support plate, as shown and
described.

DESCRIPTION

FIG. 1 is a top, front perspective view of a support plate
showing my new design;
FIG. 2 is a front side elevational view thereof, the rear eleva-
tional view being identical;
FIG. 3 is a right side elevational view thereof, the left side
elevational view being an identical mirror image;
FIG. 4 is a top plan view thereof;
FIG. 5 is a top plan view shown with the environmental
structure removed for ease of illustration thereof;
FIG. 6 is a bottom plan view thereof;
FIG. 7 is a bottom plan view shown with the environmental
structure removed for ease of illustration thereof;
FIG. 8 is another top, front perspective view shown with
alternate environmental structure of the support plate of FIG.
1 showing my new design;
FIG. 9 is a top, front exploded perspective view thereof;
FIG. 10 is a front side elevational view thereof, the rear
elevational view being identical;
FIG. 11 is a right side elevational view thereof, the left side
elevational view being an identical mirror image;
FIG. 12 is a top plan view thereof; and,
FIG. 13 is a bottom plan view thereof.
The broken lines in FIGS. 1-13 of the support plate are for the
purpose of illustrating environment, and forms no part of the
claimed design.

1 Claim, 10 Drawing Sheets



(56)

References Cited

U.S. PATENT DOCUMENTS

2,733,845 A 2/1956 Biro
 2,801,464 A * 8/1957 Brownfield 30/410
 D227,043 S 5/1973 Van Den Berg
 D277,160 S 1/1985 Antone
 4,564,957 A 1/1986 Scharf
 4,624,286 A * 11/1986 Frohn 137/859
 D293,198 S 12/1987 Schumacher et al.
 D303,335 S * 9/1989 Seifried D7/620
 D303,345 S 9/1989 Sawatsky et al.
 D304,143 S 10/1989 Dennis
 4,967,622 A * 11/1990 Phillips 81/3.09
 D327,111 S * 6/1992 Hemming D22/140
 5,147,079 A 9/1992 Heather
 D329,964 S * 10/1992 Dobbins et al. D7/619.1
 5,203,481 A * 4/1993 Dobbins et al. 224/148.4
 5,232,137 A 8/1993 Devine
 5,240,158 A 8/1993 Walsh
 D347,734 S 6/1994 Patterson et al.
 D349,190 S 8/1994 Wasserman
 D350,024 S 8/1994 Ryker
 5,348,179 A * 9/1994 Walker 220/203.18
 5,407,110 A 4/1995 Marsh, Jr.
 5,454,497 A 10/1995 Kettelson
 5,505,353 A 4/1996 Marsh, Jr.
 5,622,292 A 4/1997 Dorney
 5,622,346 A 4/1997 Story, Jr.
 D379,747 S * 6/1997 Carter D7/552.1
 D388,604 S 1/1998 Castro
 5,722,574 A 3/1998 Pratt
 5,782,390 A 7/1998 Dorney
 D397,550 S 9/1998 Coughlin
 5,855,307 A 1/1999 Biddick et al.
 D407,283 S 3/1999 Schwab
 5,915,606 A 6/1999 Jensen
 5,947,350 A * 9/1999 Crepps 224/148.4
 6,073,796 A 6/2000 Mogil
 D433,607 S 11/2000 Park
 D442,448 S 5/2001 Kelleghan
 D442,449 S 5/2001 McQuillan
 D452,121 S * 12/2001 Teichelman D8/19
 D458,097 S 6/2002 de la Guardia
 6,401,993 B1 6/2002 Andrino
 6,443,338 B1 9/2002 Giancona, III
 D470,794 S 2/2003 Eddy
 D473,118 S 4/2003 Lovegrove
 D473,769 S 4/2003 Kelleghan
 D479,959 S 9/2003 Bellander
 6,616,024 B1 * 9/2003 Perry 224/604
 D487,967 S 4/2004 Kods et al.
 D501,382 S 2/2005 Macauley et al.
 D505,846 S 6/2005 Toma

D511,438 S 11/2005 Johnson
 D540,130 S 4/2007 Wysopal
 D554,856 S 11/2007 Clanton
 D555,897 S 11/2007 Pietrarroia
 D557,574 S 12/2007 Hein
 D559,629 S * 1/2008 Gifford, Jr. D7/608
 D584,825 S * 1/2009 Berglund D24/199
 D622,115 S 8/2010 Smith
 D622,178 S 8/2010 Kelleghan
 D624,366 S 9/2010 Sherron
 D625,513 S 10/2010 Carnes et al.
 D625,577 S 10/2010 Bainter
 D632,908 S 2/2011 Tincher
 D642,432 S 8/2011 Williams
 D644,075 S 8/2011 Barnett
 D651,062 S * 12/2011 Wackwitz D8/70
 D671,799 S * 12/2012 Sanders D7/619.2
 D678,120 S * 3/2013 Reetz et al. D11/121
 D679,971 S * 4/2013 Weyer et al. D8/40
 2002/0061360 A1 * 5/2002 Marchisseau et al. 427/8
 2005/0092788 A1 5/2005 Jenkins
 2005/0173478 A1 8/2005 Gill et al.
 2007/0108239 A1 5/2007 San Nicholas
 2007/0221693 A1 9/2007 Moore
 2008/0223887 A1 9/2008 Mills
 2008/0296325 A1 12/2008 Tepper

OTHER PUBLICATIONS

“Bachelorette Party Shot Glass Necklace,” printed from <http://www.partycity.com/product/bachelorette+party+shot+glass+necklace.do?sortBy=ourPicks&size=all&from=Search&navSet=bachelorette>, on Mar. 23, 2012 (2 pages).
 “Advantage Bridal Bachelorette Shot Glass with Beads,” www.advantagebridal.com/bachelorette-shot-glass-with-beads.html, available at least as early as Dec. 5, 2010, per www.internetarchive.org (2 pages).
 Wine Glass Holder Necklace—Set of 2, <http://www.giftedgrape.com/wineglassholdernecklace.aspx>, publicly available at least one year prior to Aug. 24, 2011 (2 pages).
 Wine Holder Styles, www.handsfreewine.com, publicly available since Feb. 2010 (1 page).
 Mobile Grape™ Product Information, <http://www.mobilegrape.com/productinfo.html>, publicly available at least one year prior to Aug. 24, 2011 (3 pages).
 Wine Glass Necklaces, <http://www.watsonsports.com/wineglassnecklace.htm>, publicly available at least one year prior to Aug. 24, 2011 (3 pages).
 Wine Glass Holder Necklace (Set of 2), [www.wineenthusiast.com/wine-glass-holder-necklace-\(set-of-2\).asp](http://www.wineenthusiast.com/wine-glass-holder-necklace-(set-of-2).asp), publicly available at least one year prior to Aug. 24, 2011 (2 pages).

* cited by examiner

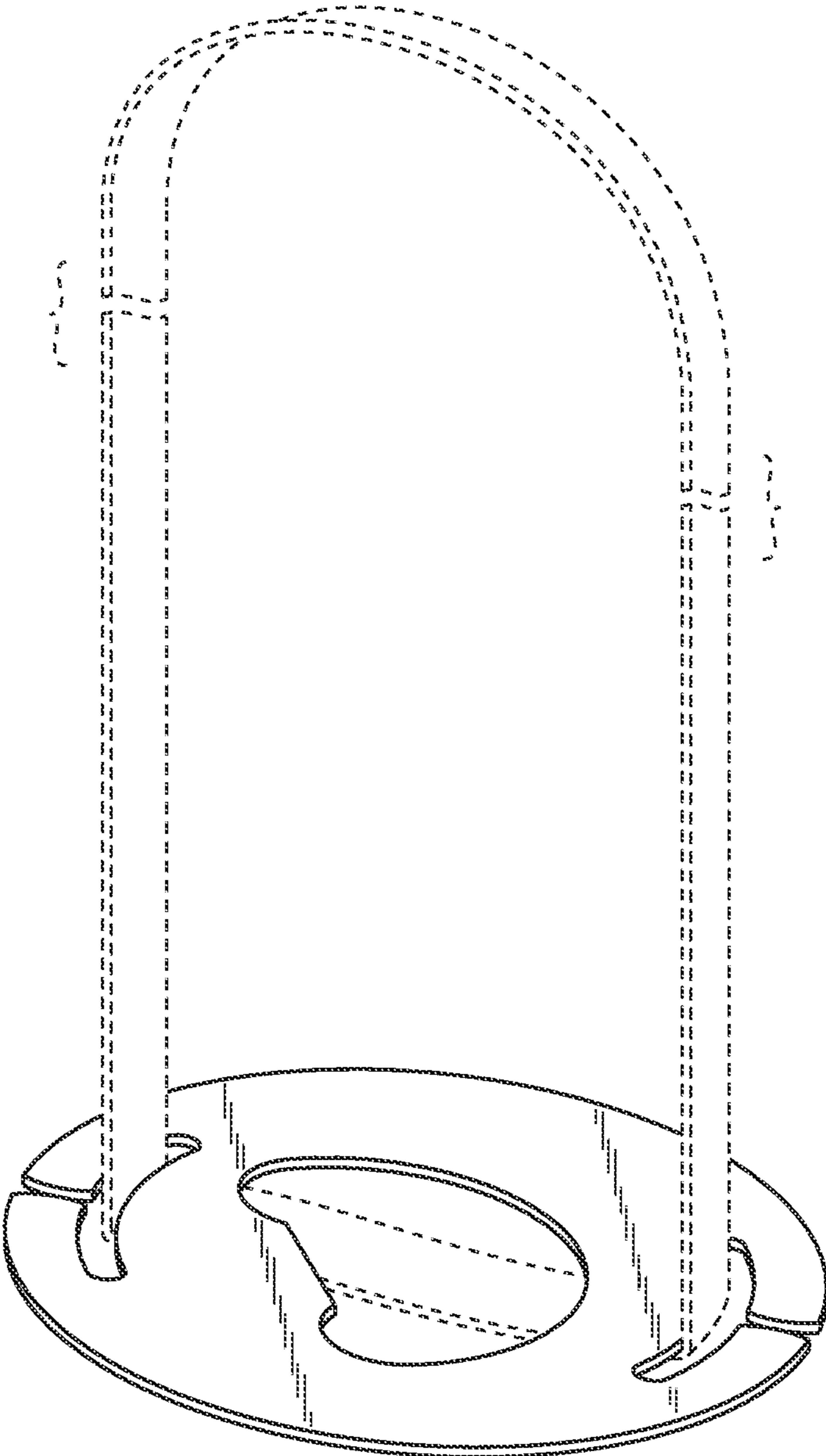


FIG. 1

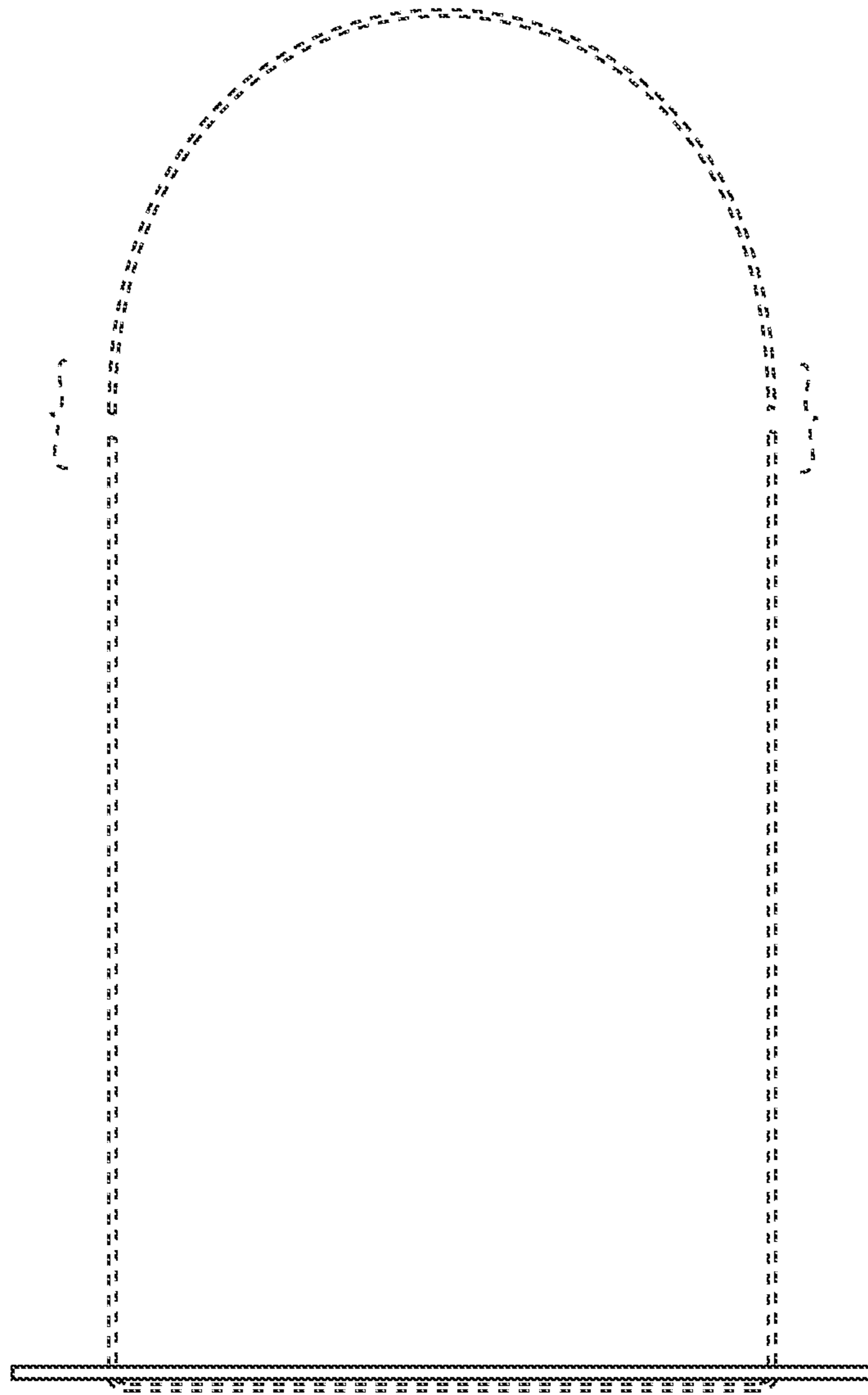


FIG. 2

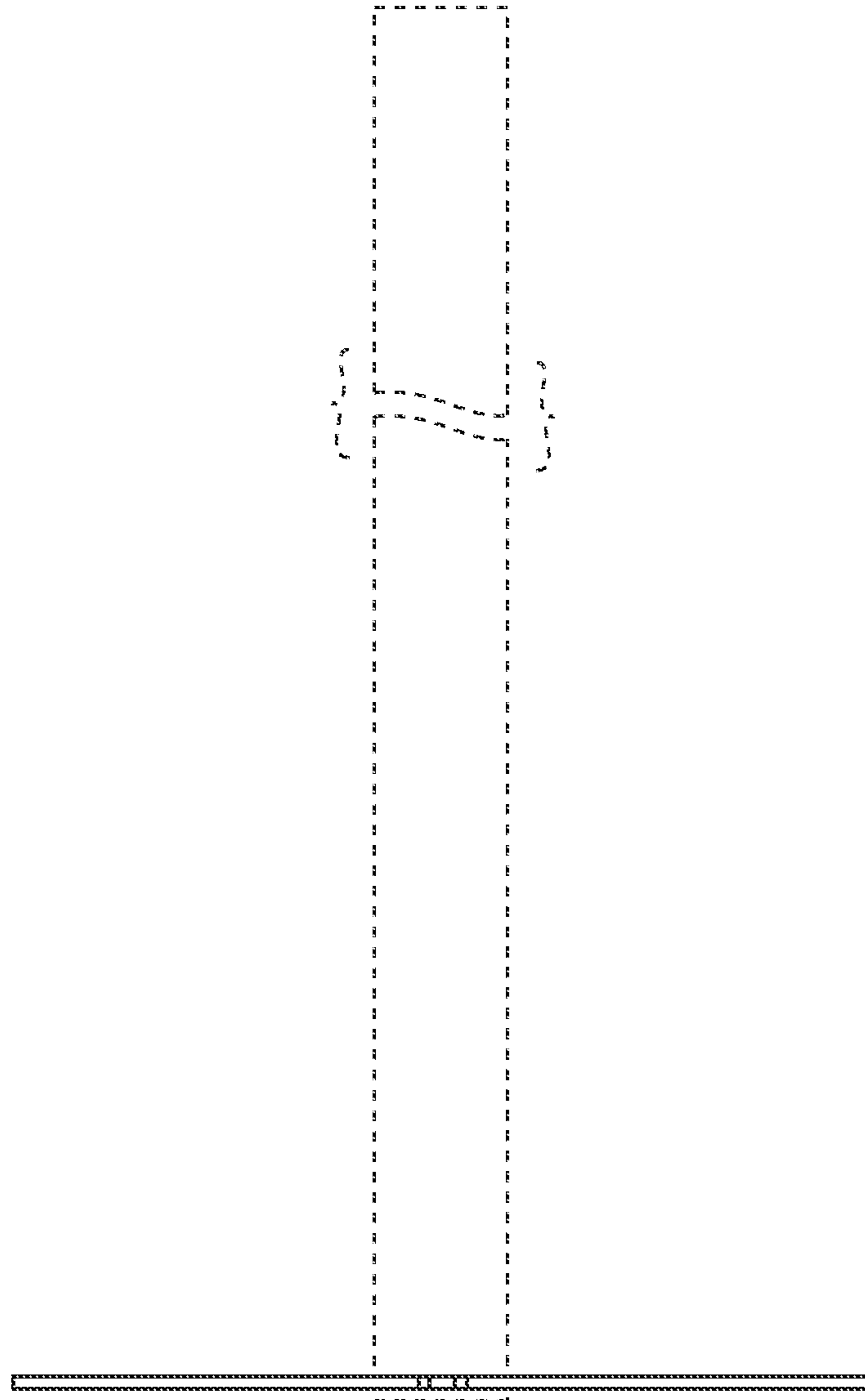


FIG. 3

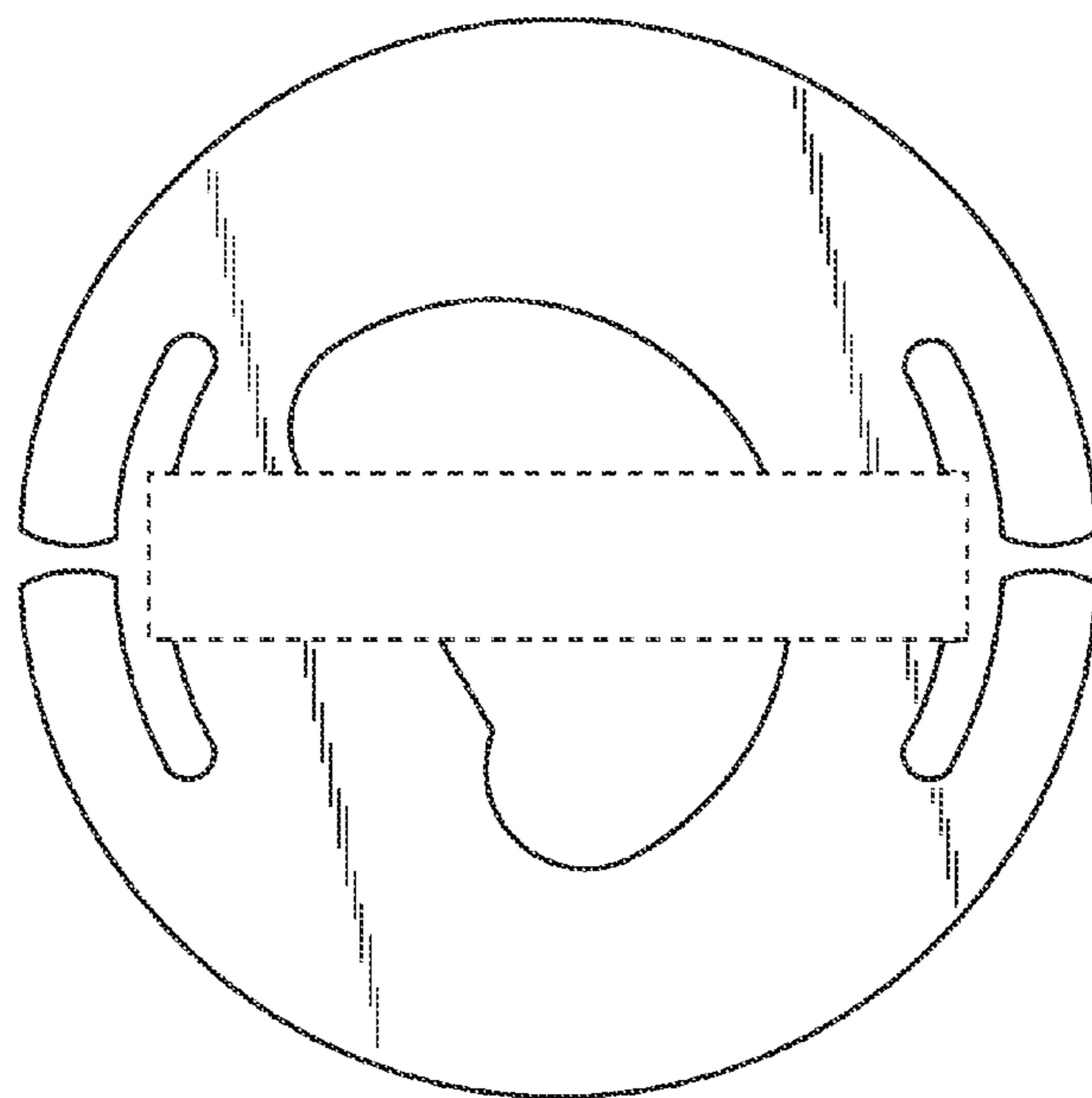


FIG. 4

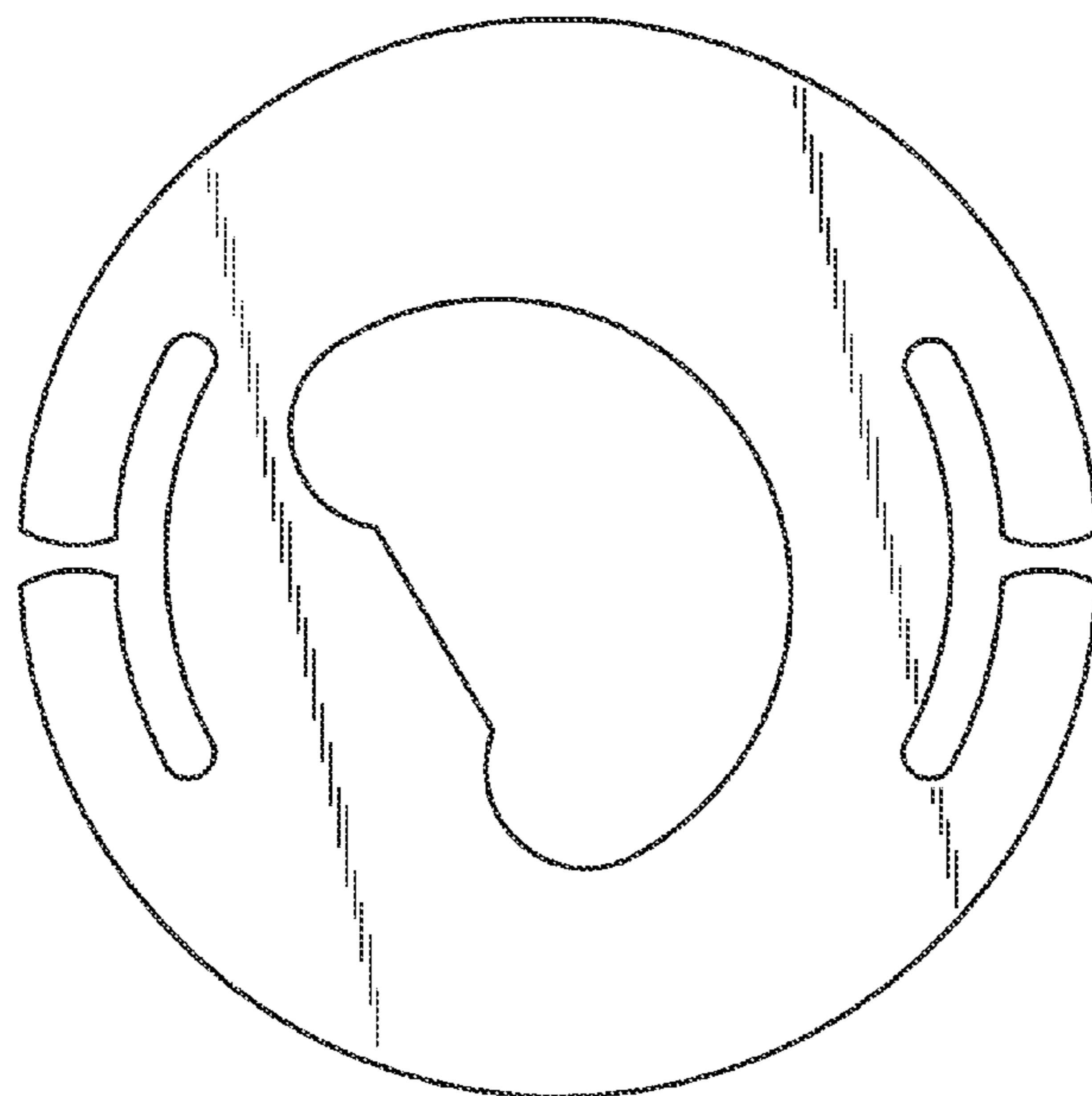


FIG. 5

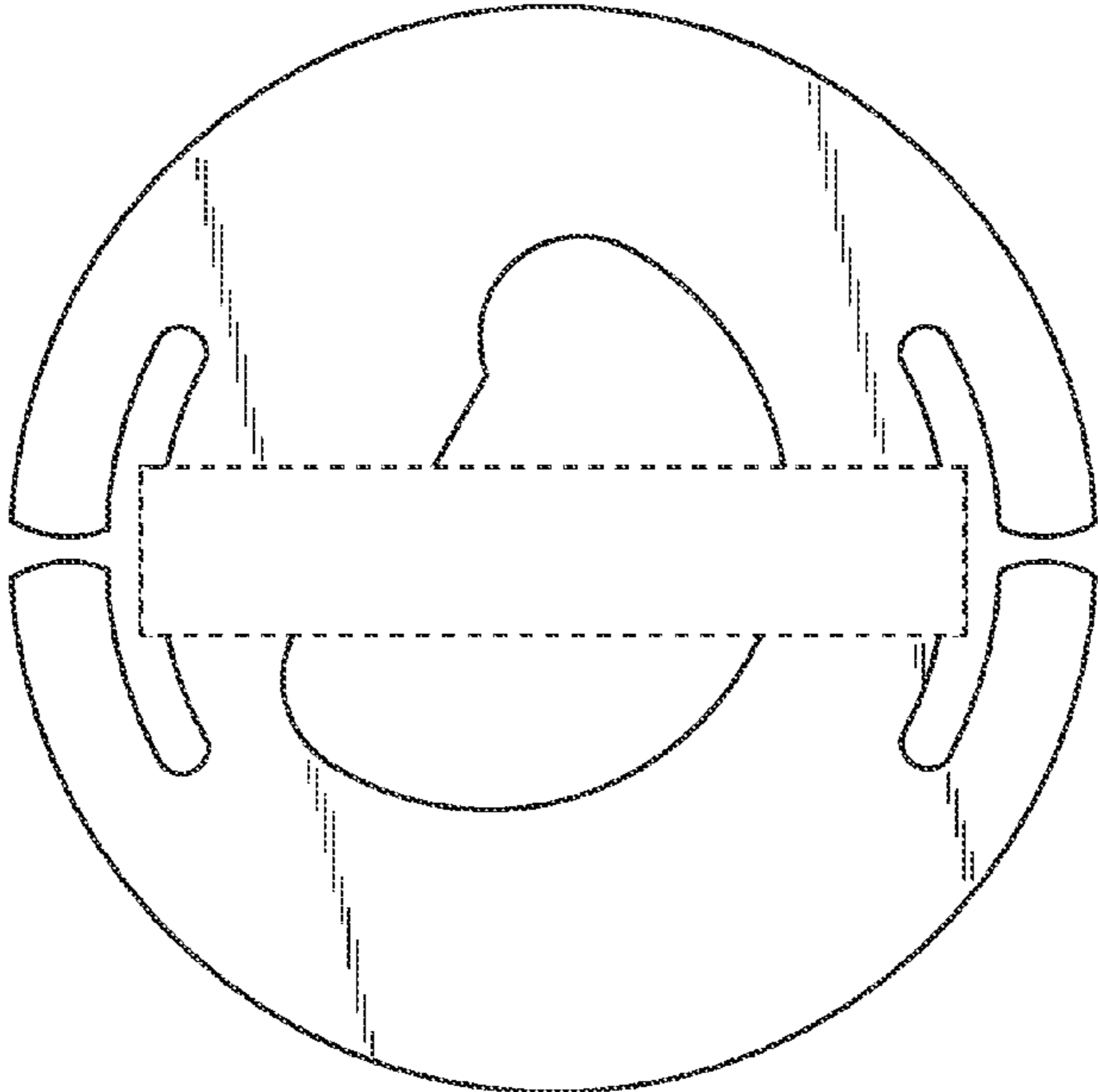


FIG. 6

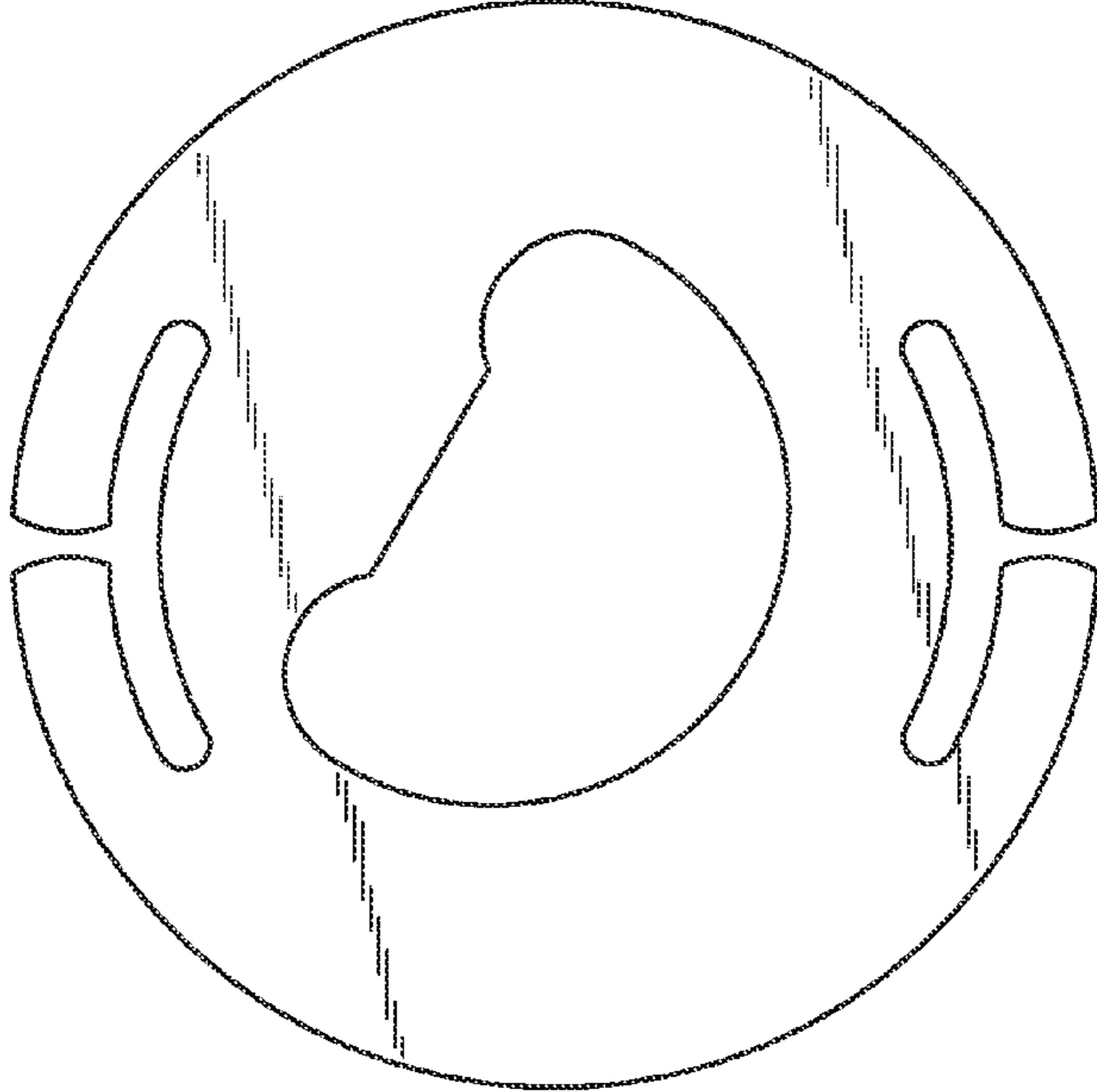


FIG. 7

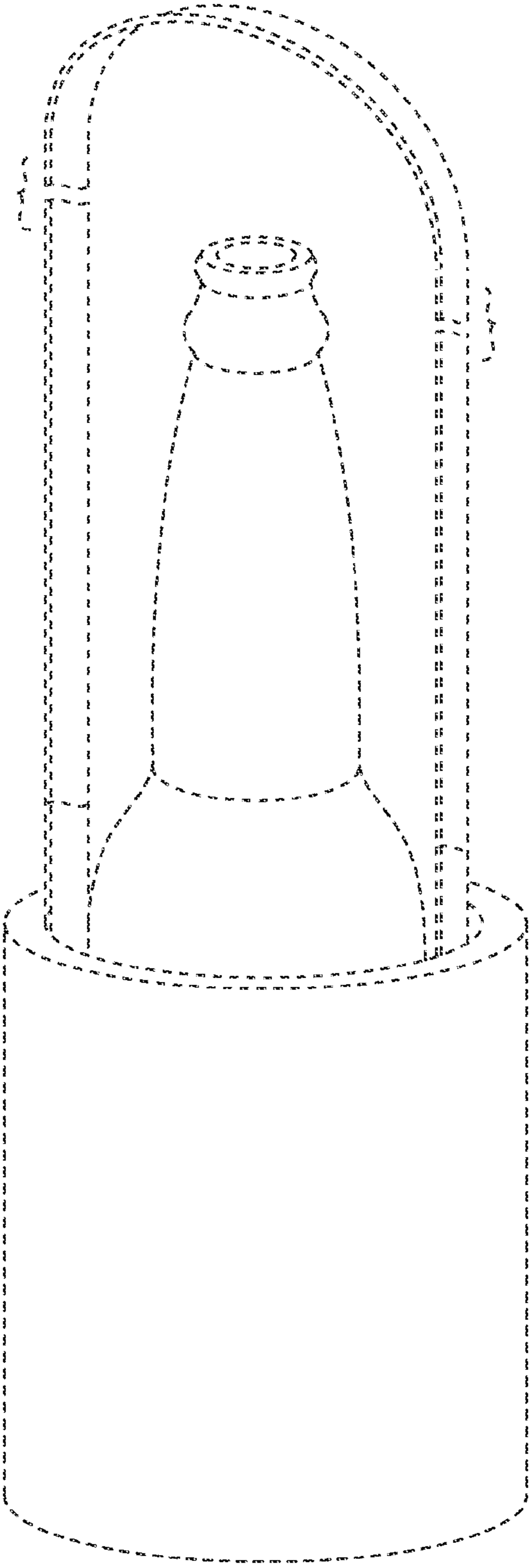


FIG. 8

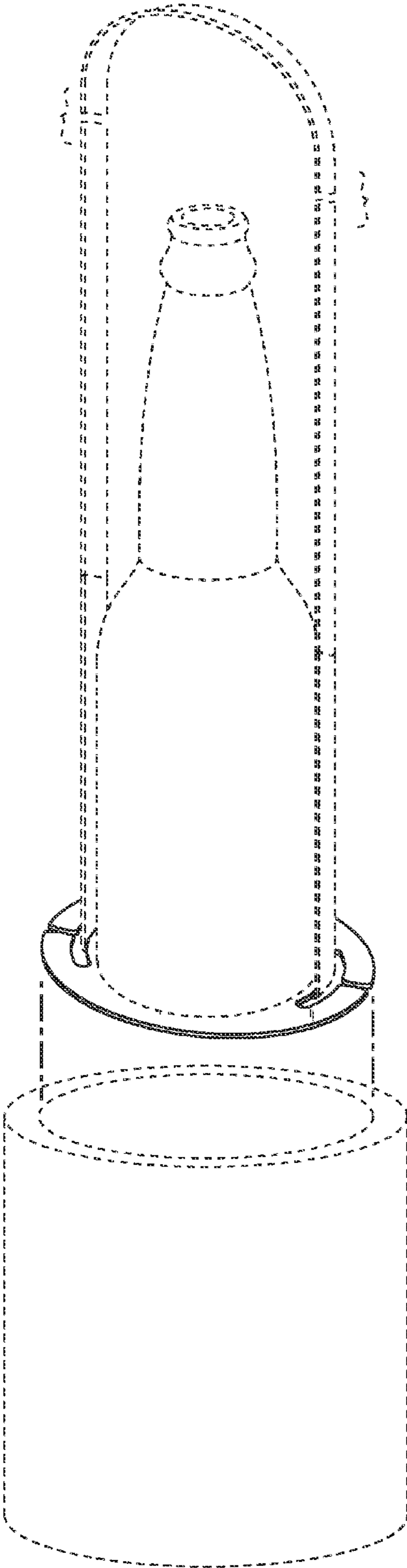


FIG. 9

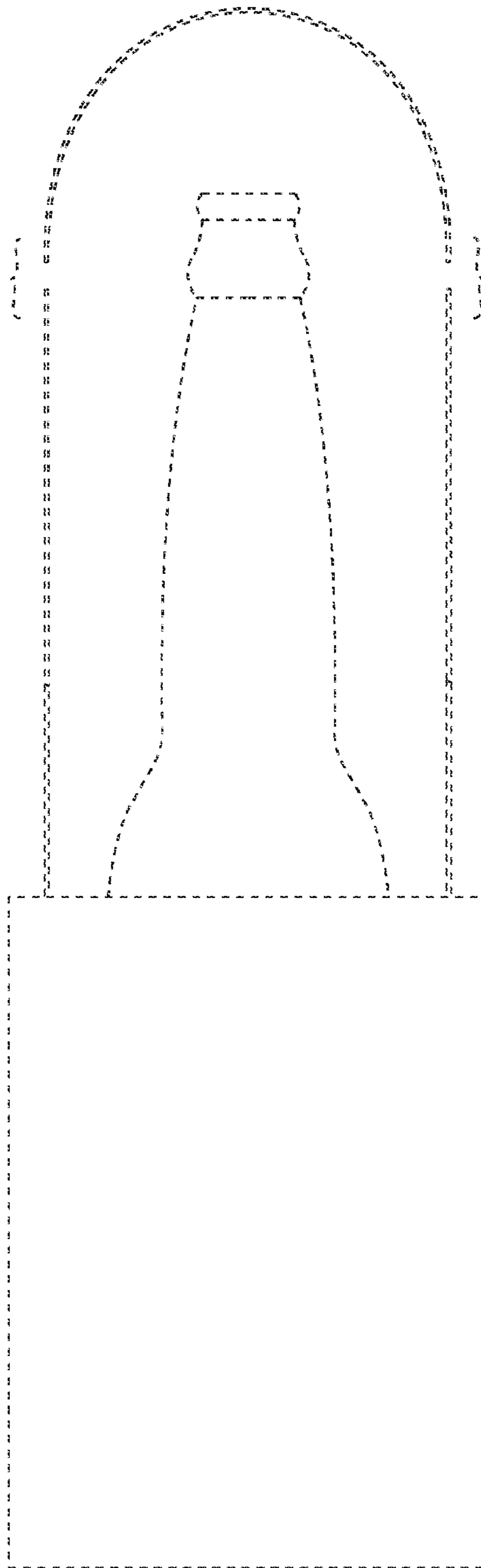


FIG. 10

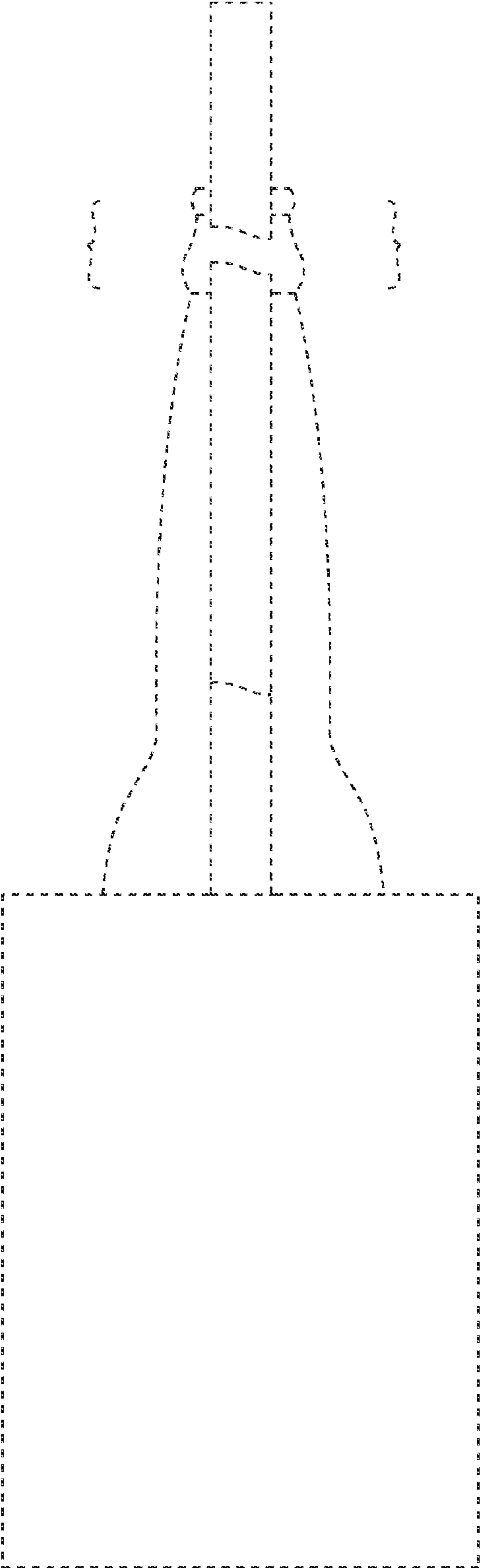


FIG. 11

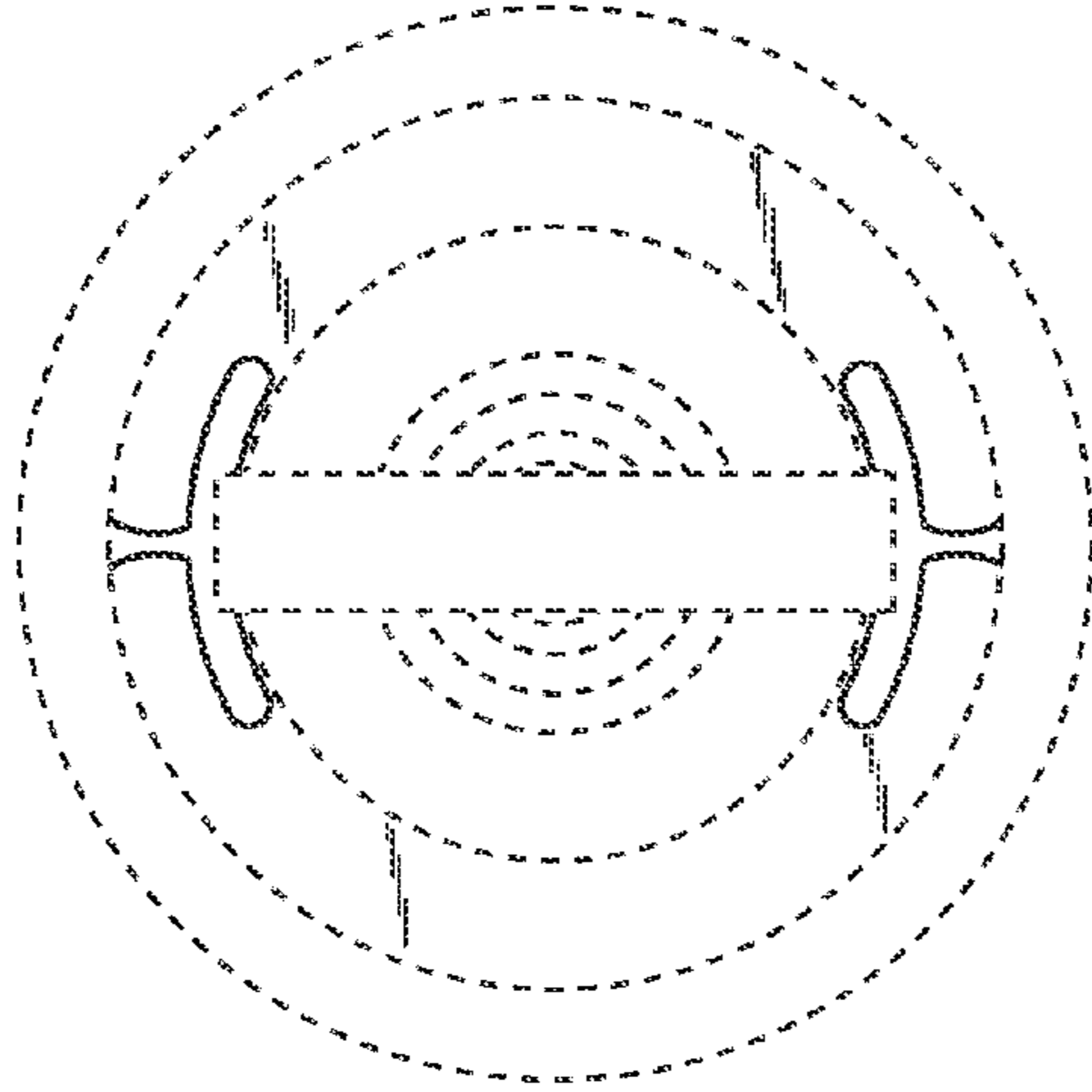


FIG. 12

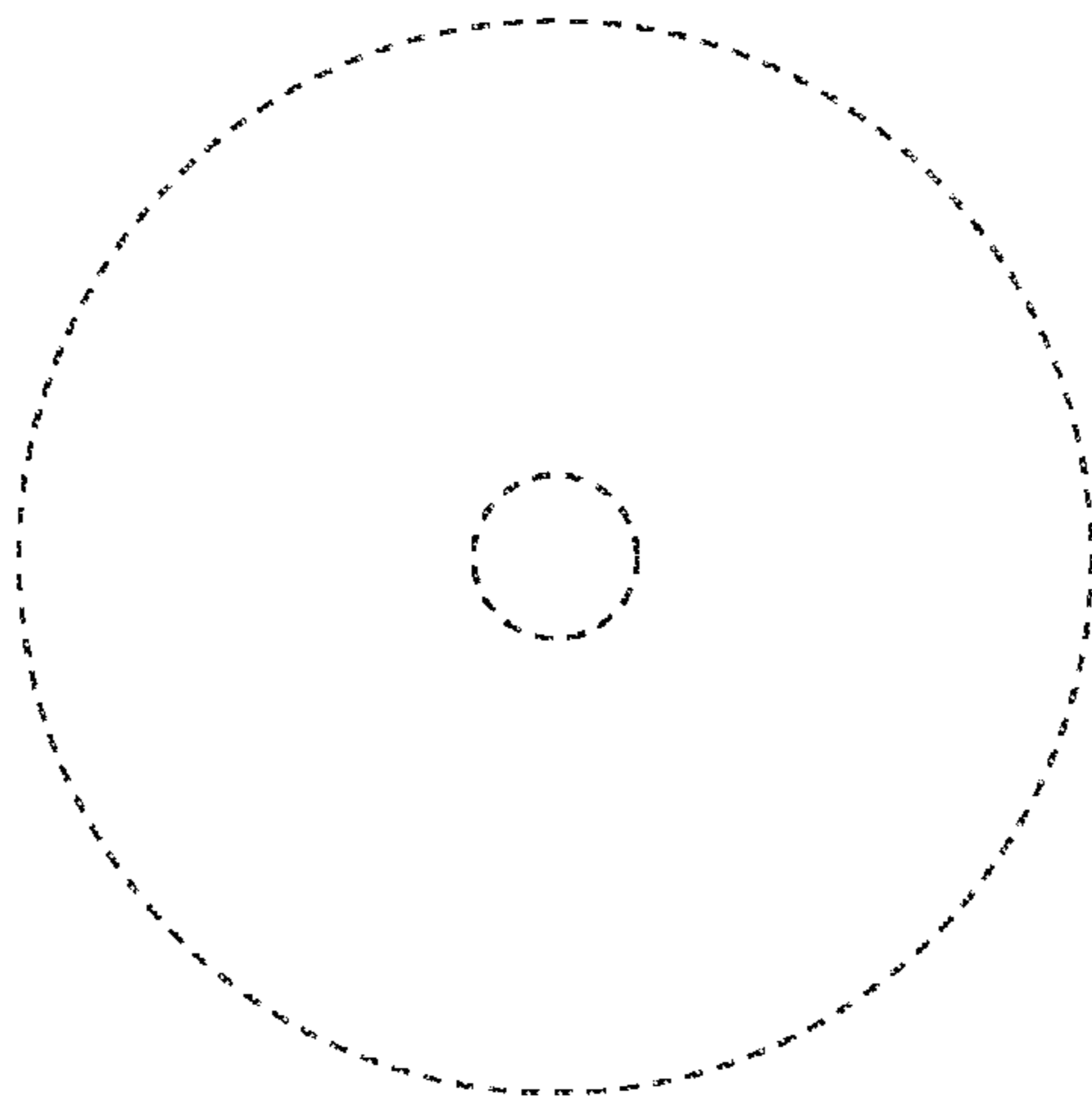


FIG. 13