



US00D692724S

(12) **United States Design Patent**  
**Smiedt et al.**

(10) **Patent No.:** **US D692,724 S**  
(45) **Date of Patent:** **\*\* Nov. 5, 2013**

- (54) **BEVERAGE CONTAINER**
- (71) Applicant: **Seventh Generation, Inc.**, Burlington, VT (US)
- (72) Inventors: **Richard Smiedt**, New York, NY (US); **Karim Rashid**, New York, NY (US)
- (73) Assignee: **Seventh Generation Ventures, Inc.**, Burlington, VT (US)

- D609,527 S 2/2010 Roehrig
- D620,754 S 8/2010 Duke
- D620,758 S 8/2010 Smiedt et al.
- D621,660 S 8/2010 Smiedt et al.
- 7,806,044 B2 10/2010 Lin
- D642,438 S 8/2011 Schofield et al.

(Continued)

- (\*\*) Term: **14 Years**
- (21) Appl. No.: **29/458,418**
- (22) Filed: **Jun. 19, 2013**

**FOREIGN PATENT DOCUMENTS**

GB 2441046 A 2/2008

**OTHER PUBLICATIONS**

Smiedt et al., U.S. Appl. No. 29/415,601 (unpublished), Mar. 12, 2012.  
US PTO, Filing Receipt U.S. Appl. No. 29/415,601, Mar. 23, 2012.

(Continued)

**Related U.S. Application Data**

- (62) Division of application No. 29/415,601, filed on Mar. 12, 2012, now Pat. No. Des. 686,453.
- (51) **LOC (9) Cl.** ..... **07-01**
- (52) **U.S. Cl.**  
USPC ..... **D7/510**
- (58) **Field of Classification Search**  
USPC ..... D7/300.2, 509, 510, 511; D9/500, 539, D9/503, 504, 538; 215/379, 382, 6, 388  
See application file for complete search history.

*Primary Examiner* — Susan Bennett Hattan

*Assistant Examiner* — Janice Hallmark

(74) *Attorney, Agent, or Firm* — Dunkiel Saunders Elliot Raubvogel & Hand PLLC; Justin W. McCabe, Esq

(57) **CLAIM**

The ornamental design for a beverage container, as shown and described.

**DESCRIPTION**

FIG. 1 is a top, front, left side perspective view of a beverage container.

FIG. 2 is a front elevation view.

FIG. 3 is a rear elevation view.

FIG. 4 is a right side elevation view.

FIG. 5 is a left side elevation view.

FIG. 6 is a top plan view; and,

FIG. 7 is a bottom plan view.

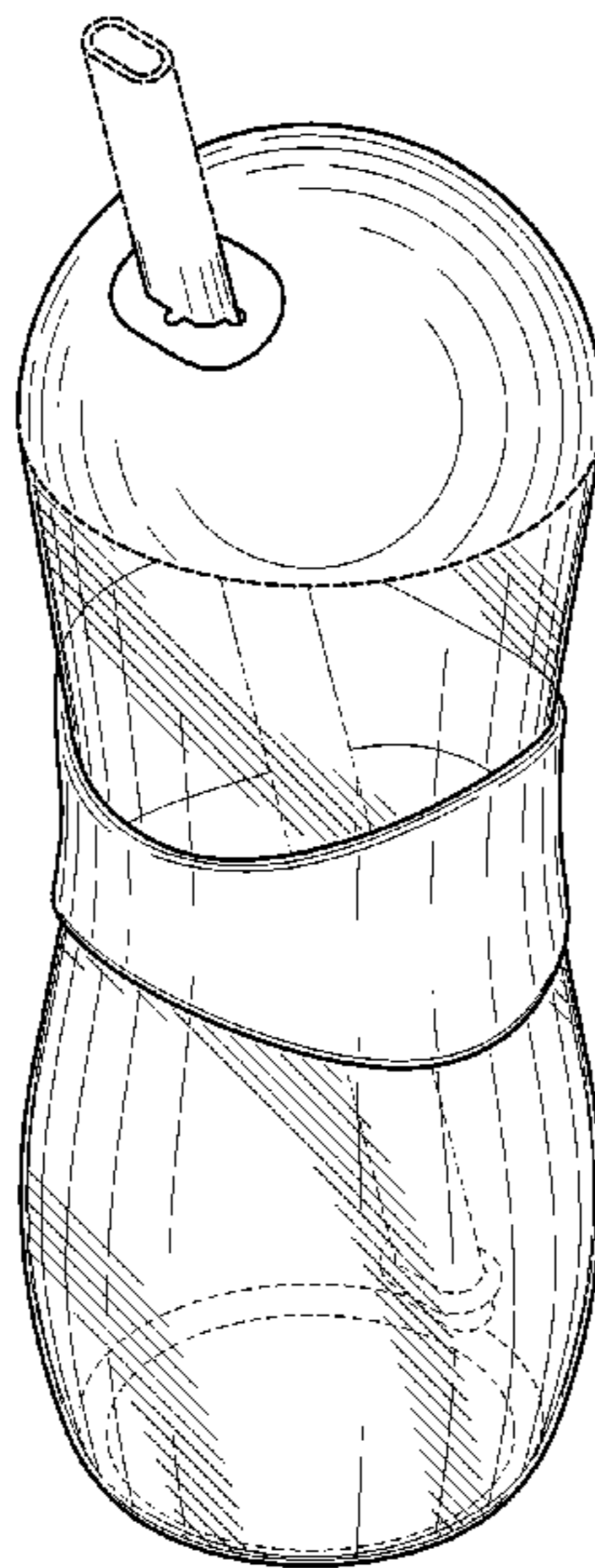
The broken lines illustrate environmental structure and form no part of the claimed design.

**1 Claim, 6 Drawing Sheets**

(56) **References Cited**

**U.S. PATENT DOCUMENTS**

- 1,211,614 A 1/1917 Morales
- 1,424,774 A 8/1922 Pearl
- 4,869,159 A 9/1989 Yan et al.
- 5,441,752 A 8/1995 Sandin
- 5,609,092 A 3/1997 Chen
- D398,519 S 9/1998 Keene
- D422,208 S 4/2000 Brose
- D580,708 S 11/2008 George
- D580,765 S 11/2008 Amann
- D604,991 S 12/2009 Ablo



(56)

**References Cited**

U.S. PATENT DOCUMENTS

D647,802 S 11/2011 Bunce et al.  
8,205,542 B2 6/2012 Gilbert  
D666,874 S 9/2012 Sakulsacha  
8,319,154 B2\* 11/2012 Shaikh et al. .... 219/387  
D681,217 S \* 4/2013 Smith ..... D24/197  
D682,017 S \* 5/2013 Smiedt et al. .... D7/392.1  
D682,033 S \* 5/2013 Dunn et al. .... D7/509  
D682,701 S \* 5/2013 Stephan et al. .... D9/539  
D682,702 S \* 5/2013 Stephan et al. .... D9/539  
D683,183 S \* 5/2013 Dunn et al. .... D7/509  
D683,187 S \* 5/2013 Gold et al. .... D7/510  
D683,188 S \* 5/2013 Gold et al. .... D7/510  
D683,189 S \* 5/2013 Thomas ..... D7/511

D683,588 S \* 6/2013 Dunn et al. .... D7/509  
D685,609 S \* 7/2013 Dunn et al. .... D7/510  
D686,918 S \* 7/2013 Lembke et al. .... D9/500  
D687,677 S \* 8/2013 Sturgess ..... D7/510  
2010/0037780 A1 2/2010 Pas et al.  
2010/0263549 A1 10/2010 Lee  
2013/0199989 A1\* 8/2013 Carter et al. .... 210/464

OTHER PUBLICATIONS

US PTO, Updated Filing Receipt, U.S. Appl. No. 29/415,601, Apr. 9, 2012.  
US PTO, Office Action Summery, U.S. Appl. No. 29/415,601, Dec. 20, 2012.

\* cited by examiner

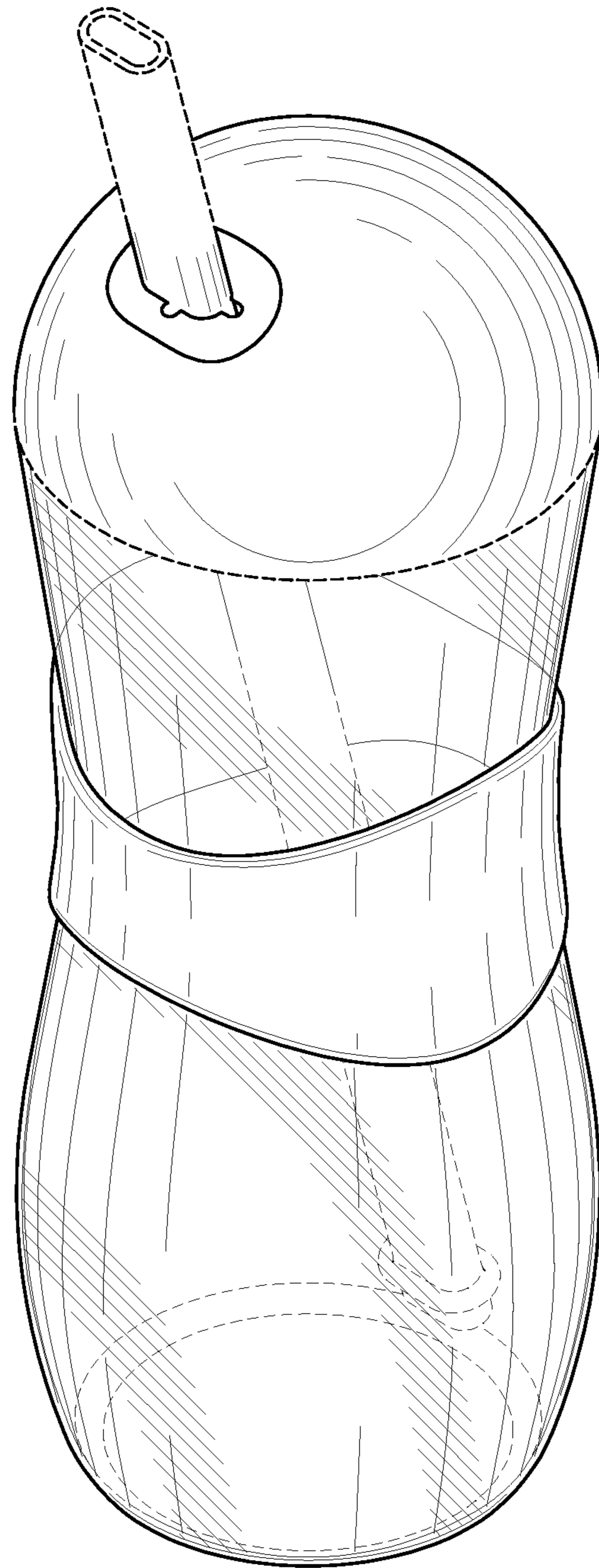


FIG. 1

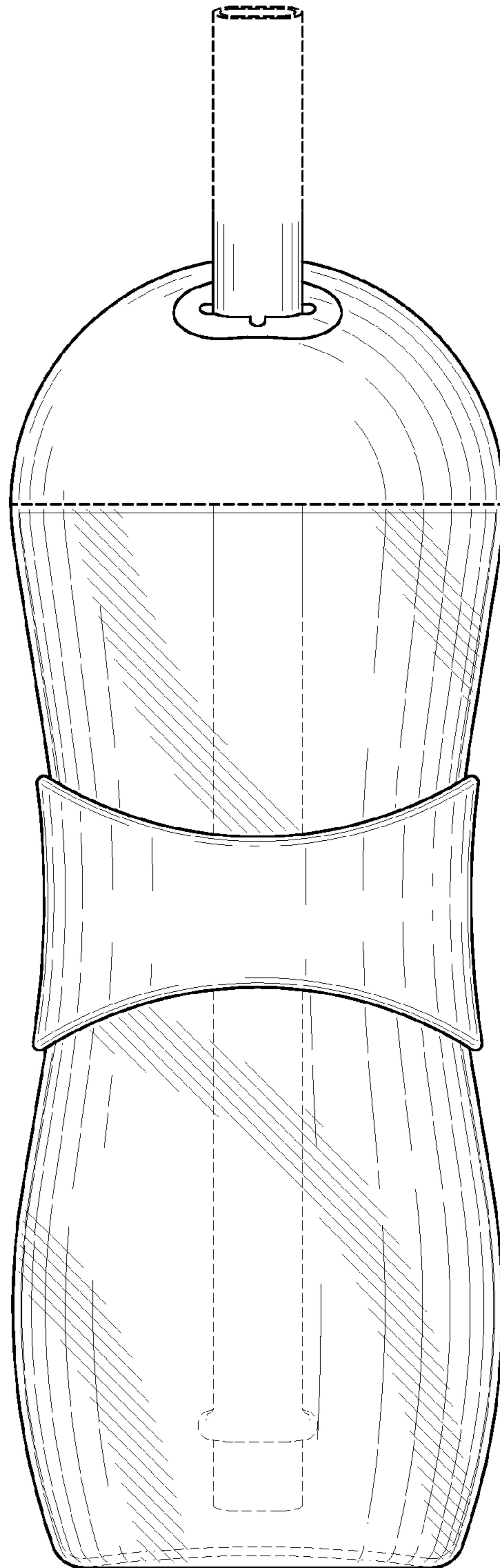


FIG. 2

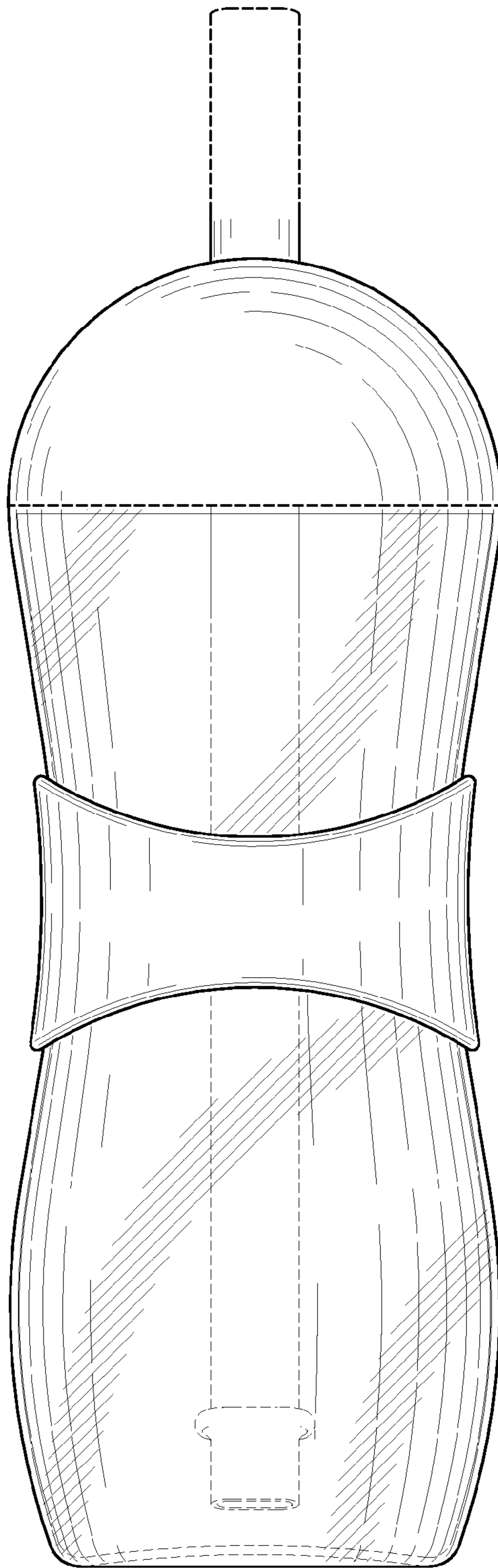


FIG. 3

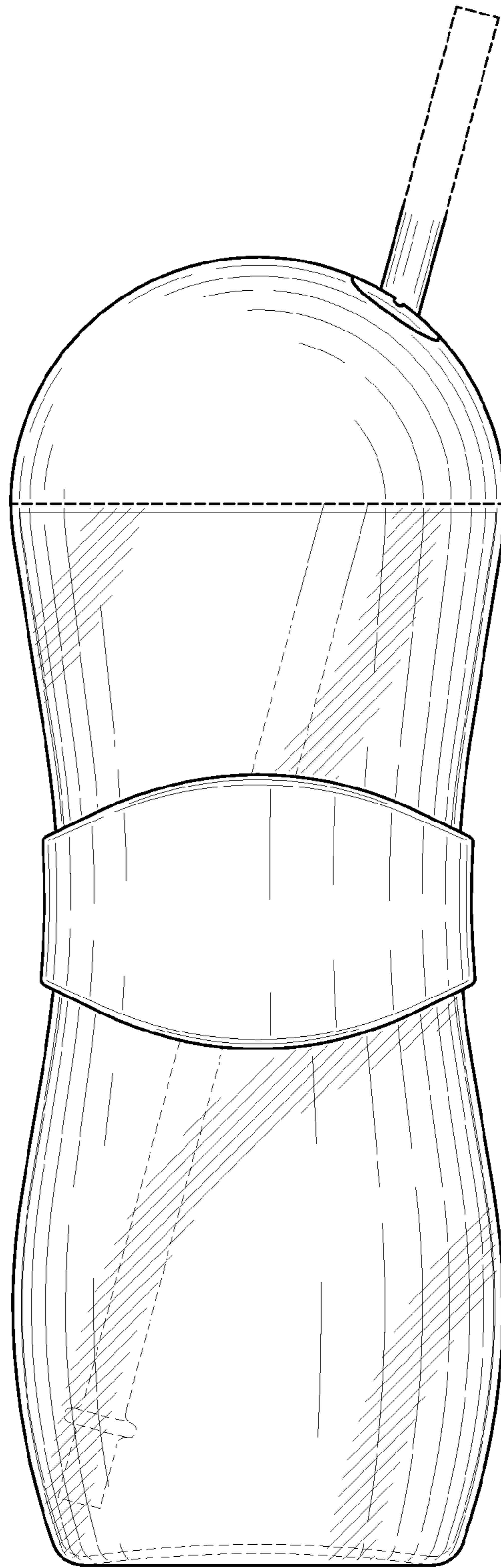


FIG. 4

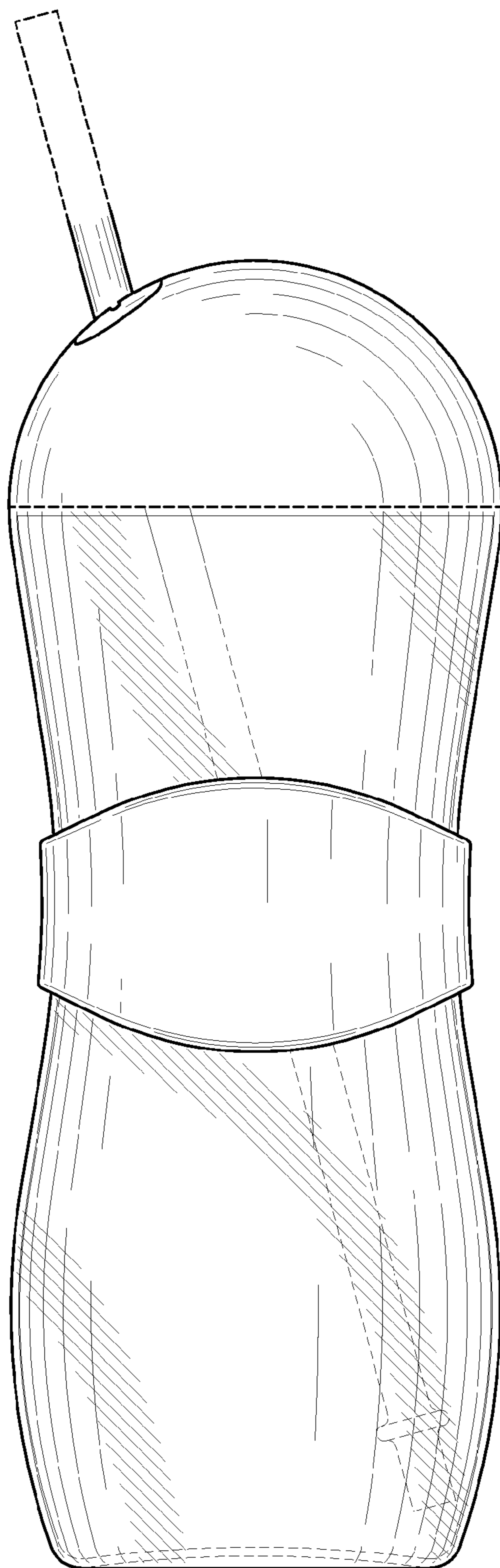


FIG. 5

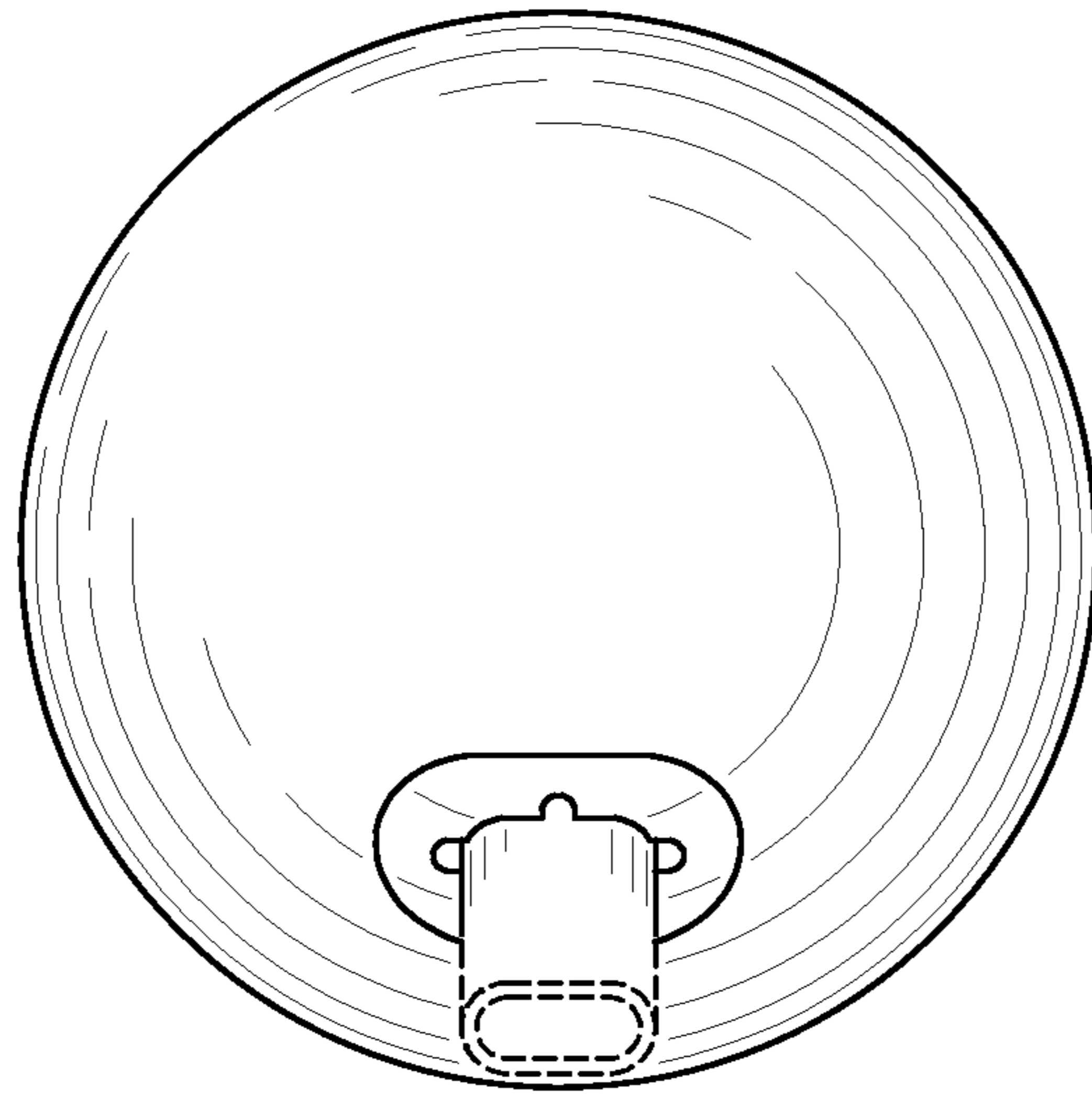


FIG. 6

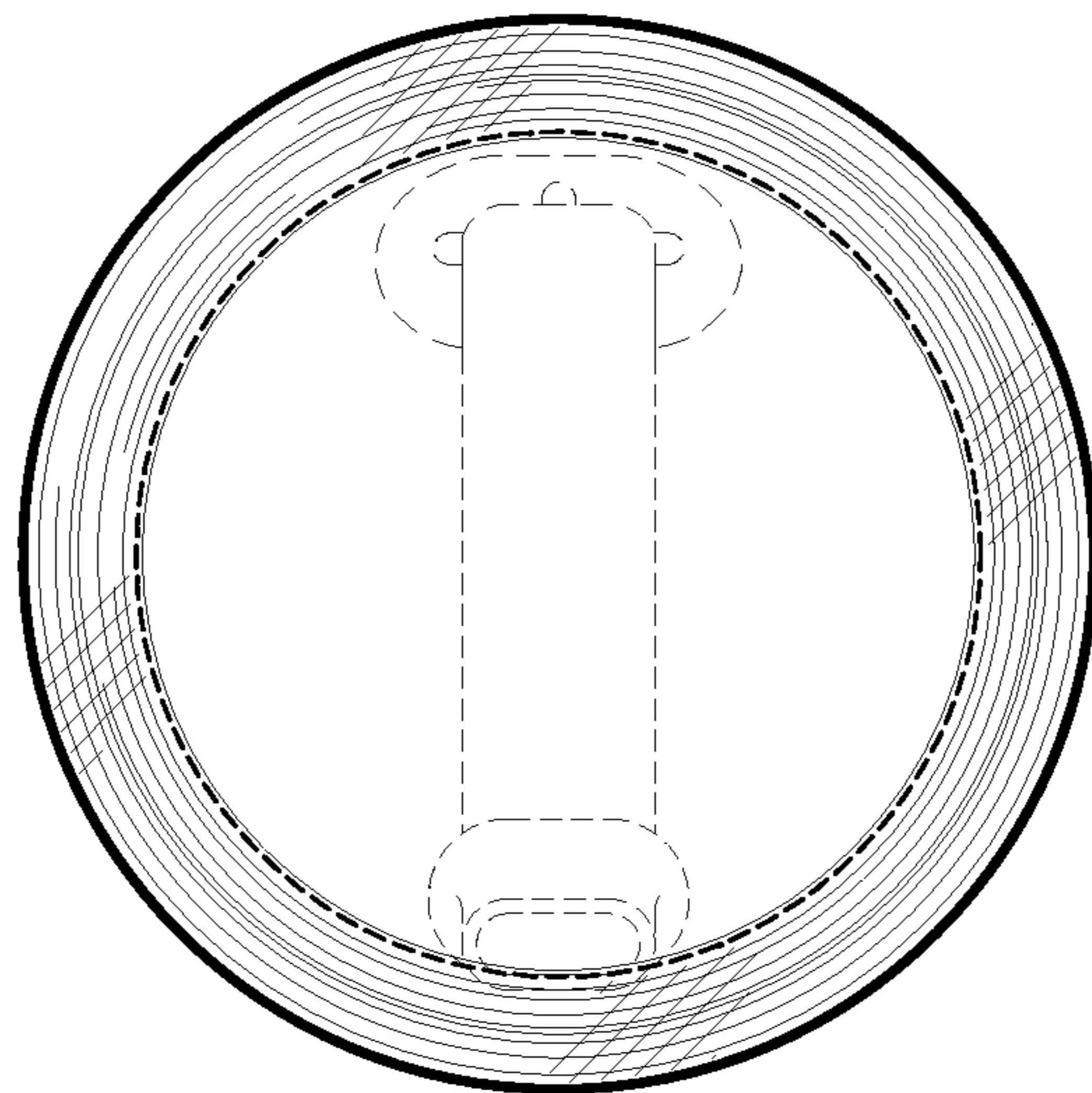


FIG. 7